

US00D565403S

(12) **United States Design Patent**
Caine et al.

(10) **Patent No.:** **US D565,403 S**
(45) **Date of Patent:** **** Apr. 1, 2008**

(54) **PACKAGING CONTAINER**

(75) Inventors: **Donald R. Caine**, Greensboro, NC
(US); **Anthony D. Moore**,
Summerfield, NC (US)

(73) Assignee: **Camco Manufacturing, Inc.**,
Greensboro, NC (US)

(**) Term: **14 Years**

(21) Appl. No.: **29/271,323**

(22) Filed: **Jan. 16, 2007**

(51) **LOC (8) Cl.** **09-03**

(52) **U.S. Cl.** **D9/415**

(58) **Field of Classification Search** D9/715,
D9/722, 600-681, 414-433, 457; 206/461-474
See application file for complete search history.

(56) **References Cited**

U.S. PATENT DOCUMENTS

4,691,820	A *	9/1987	Martinez	206/205
D328,565	S *	8/1992	Lawless et al.	D9/415
D382,475	S *	8/1997	Cooper	D9/415
D420,905	S *	2/2000	Adkins	D9/415
D441,646	S *	5/2001	Adkins	D9/415
6,364,115	B1 *	4/2002	Casanova et al.	206/471
D508,843	S *	8/2005	Lane	D9/415

2004/0251159	A1 *	12/2004	Tingey et al.	206/461
2006/0011505	A1 *	1/2006	Chen	206/461
2006/0042986	A1 *	3/2006	Simkowski	206/470

* cited by examiner

Primary Examiner—Catherine Tuttle

(57) **CLAIM**

The ornamental design for a packaging container, as shown and described.

DESCRIPTION

FIG. 1 is a front elevational view of a packaging container embodying our design; the large dashed outer line portion representing a portion of the package that forms no part of the claimed design; the smaller dotted line showing perforations and the shading lines demonstrating transparency throughout;

FIG. 2 is a top, front, left side perspective view thereof;

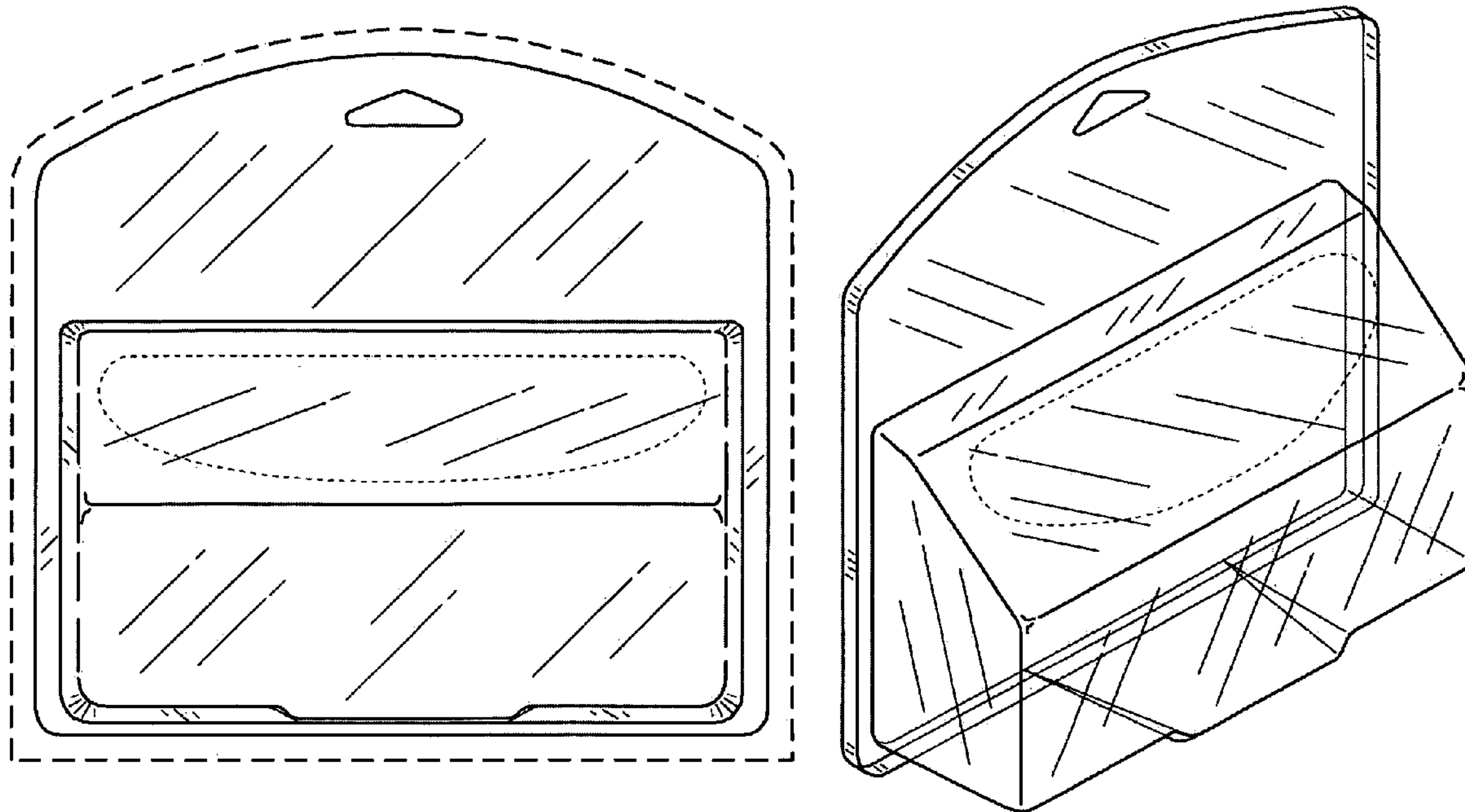
FIG. 3 is a right side elevational view thereof, the left side elevational view being a mirror image thereof;

FIG. 4 is a rear elevational view thereof;

FIG. 5 is a top plan view thereof; and,

FIG. 6 is a bottom plan view thereof.

1 Claim, 3 Drawing Sheets



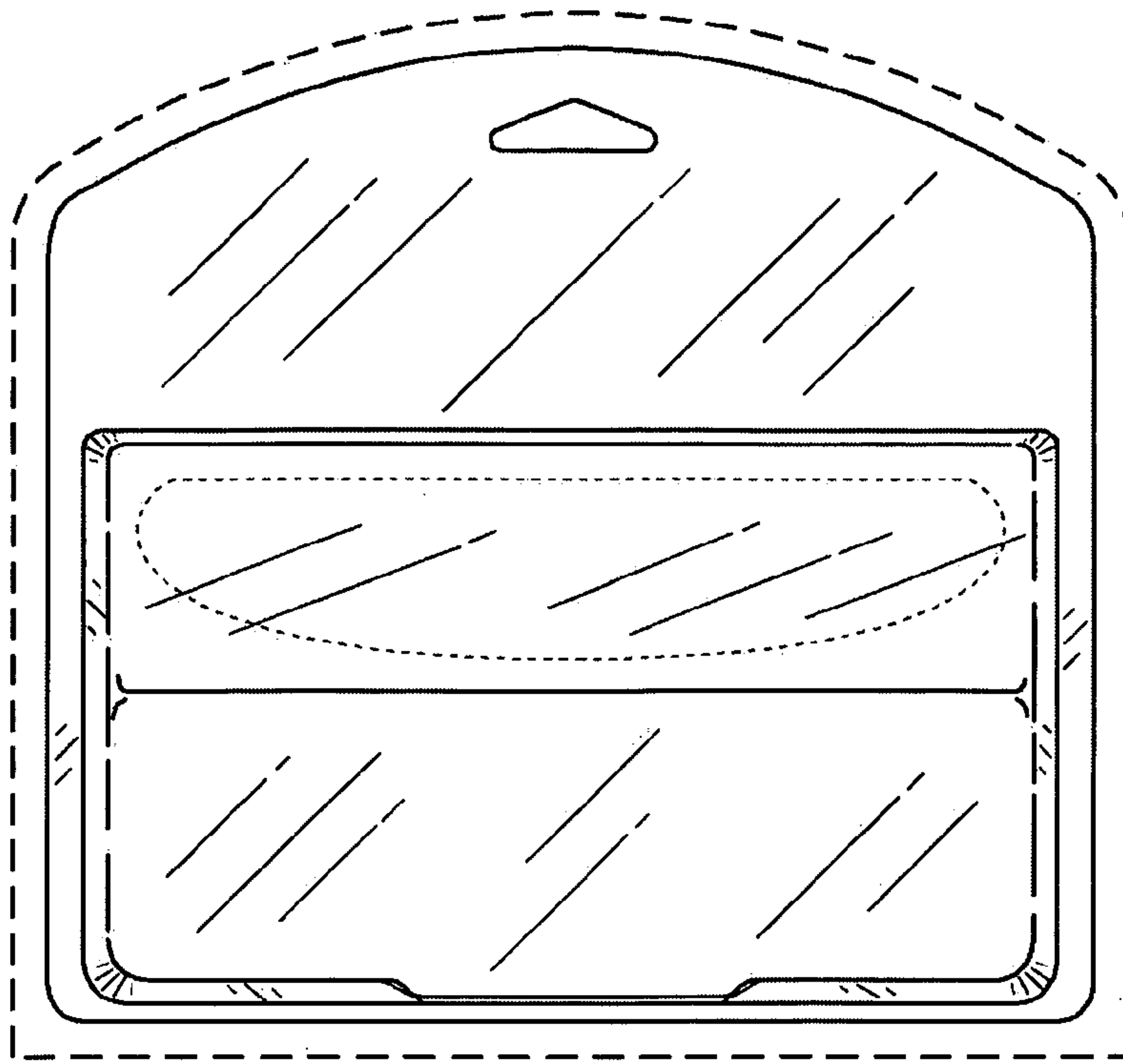


Fig. 1

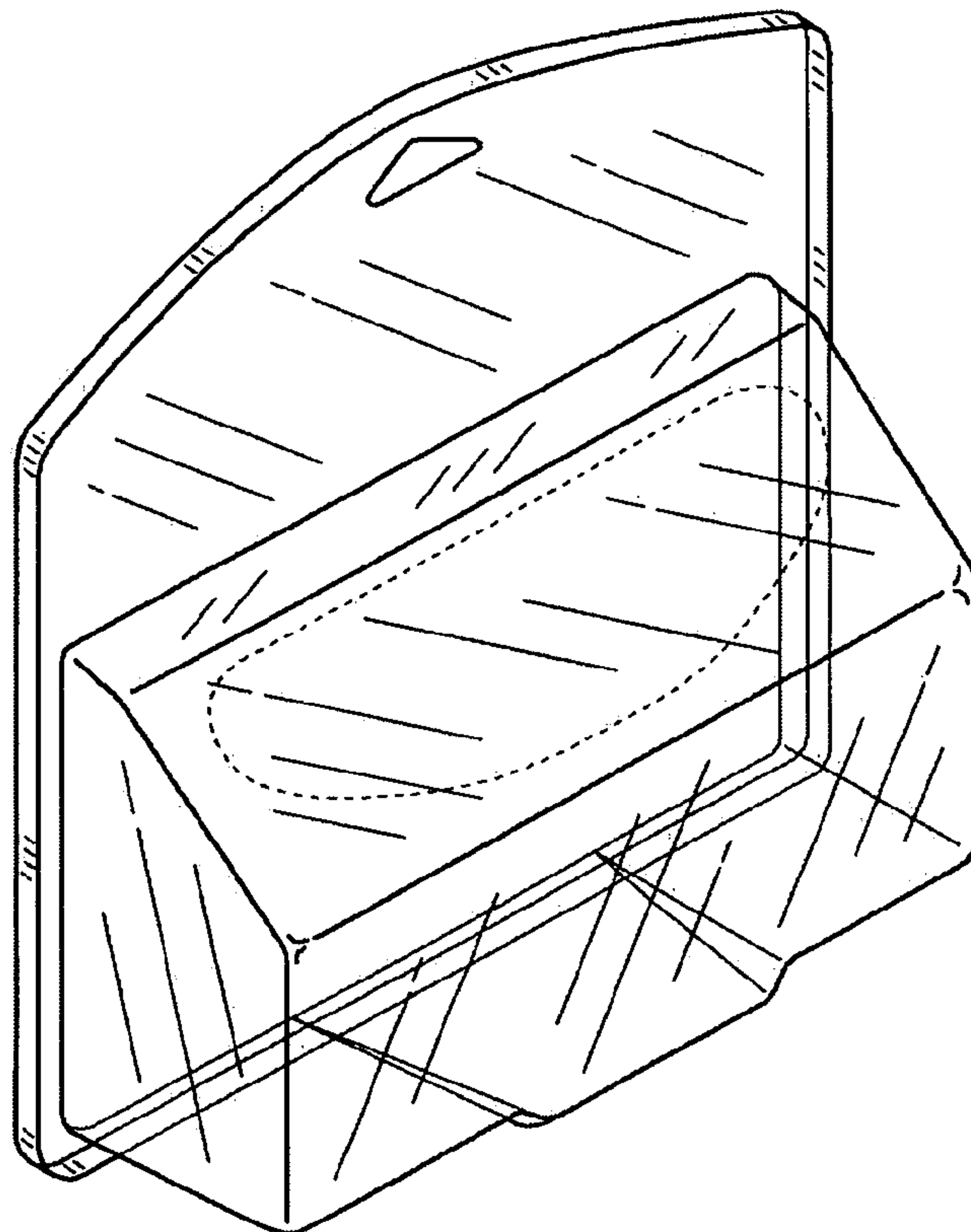


Fig. 2

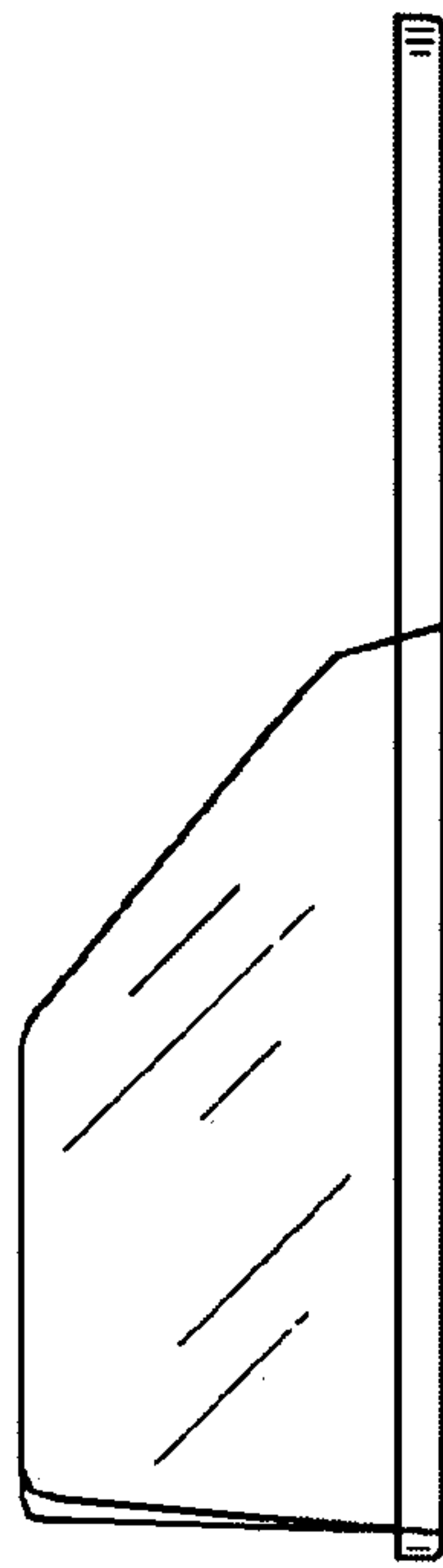


Fig. 3

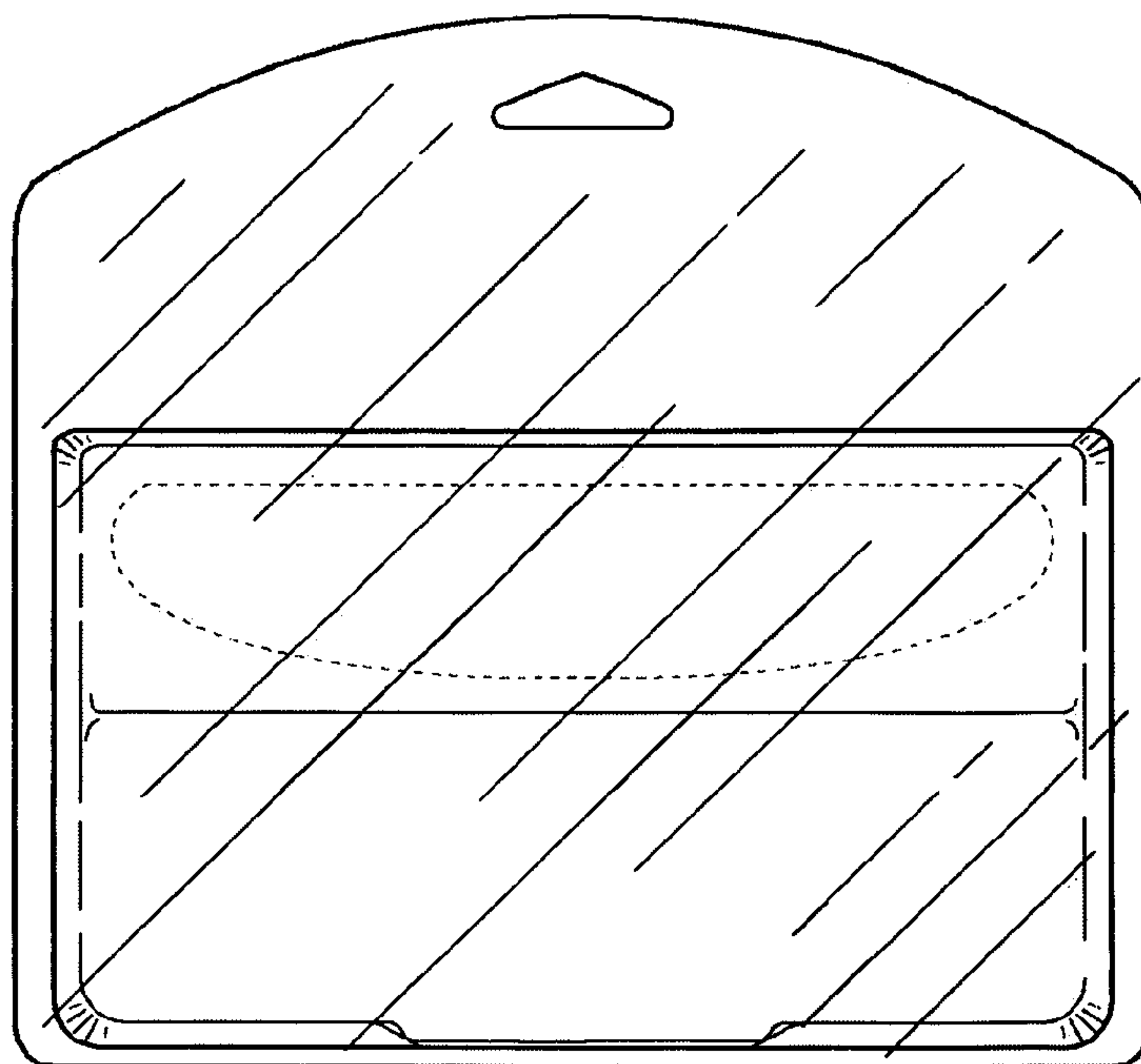


Fig. 4

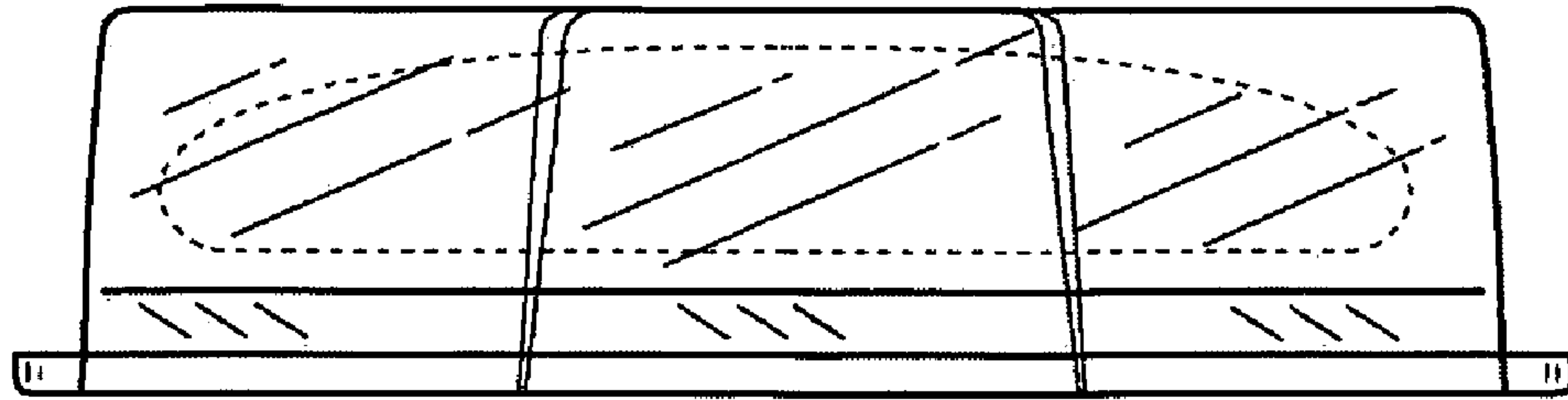


Fig. 5

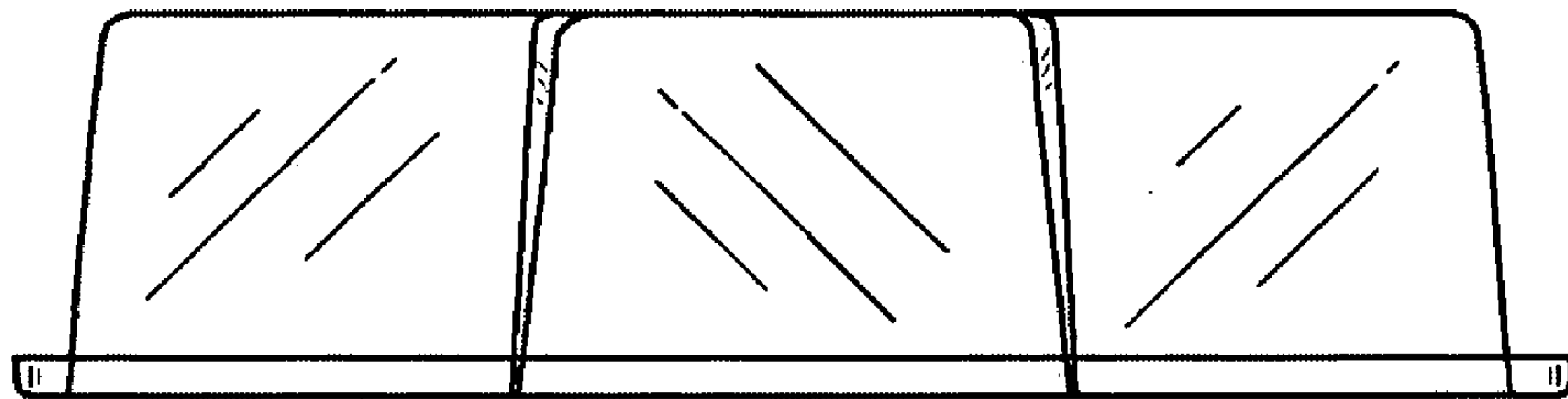


Fig. 6