



US00D565402S

(12) **United States Design Patent**
Curran

(10) **Patent No.:** **US D565,402 S**

(45) **Date of Patent:** **** Apr. 1, 2008**

(54) **LINK BRIDGE**

(76) Inventor: **Sean Curran**, 17 Adams Ter., Clifton,
NJ (US) 07013

(**) Term: **14 Years**

(21) Appl. No.: **29/249,437**

(22) Filed: **Oct. 6, 2006**

Related U.S. Application Data

(63) Continuation of application No. 11/493,873, filed on
Jul. 26, 2006.

(51) **LOC (8) Cl.** **08-99**

(52) **U.S. Cl.** **D8/499**

(58) **Field of Classification Search** D8/14,
D8/499; D12/114, 123, 124; 59/78, 4-8,
59/84-85; 74/457, 462, 665 GE; 198/850-863;
474/212-216, 82-85, 153-157, 206, 209,
474/218-220, 226, 228, 230-236

See application file for complete search history.

(56) **References Cited**

U.S. PATENT DOCUMENTS

D27,223	S	*	6/1897	Fletcher	D8/499
D30,242	S	*	2/1899	Smith	D8/499
1,570,014	A	*	1/1926	Stevens	474/228
1,744,274	A	*	1/1930	Lotter	59/78
2,328,778	A	*	9/1943	Bollinger et al.	198/710

(Continued)

OTHER PUBLICATIONS

Tsubaki Europe, <http://tsubaki.nl/products/chain/rs-plastic-chain.html>, RS Plastic Chain, Jun. 28, 2006.

Tsubaki Europe, <http://tsubaki.nl/products/chain/clip-top-chain.html>, Clip Top Chain, Jun. 28, 2006.

Primary Examiner—Cathron Brooks

Assistant Examiner—Barbara Fox

(74) *Attorney, Agent, or Firm*—Alicia M. Passerin, Esq.;
Cohen & Grigsby, P.C.

(57) **CLAIM**

The ornamental design for the link bridge, as shown and described.

DESCRIPTION

FIG. 1 is a perspective view of the link bridge embodying my new design and shown attached to inner plates of a chain.

FIG. 2 is a side view of the link bridge shown in FIG. 1.

FIG. 3 is a top view of the link bridge shown in FIG. 1.

FIG. 4 is an end view of the link bridge shown in FIG. 1.

FIG. 5 is a bottom view of the link bridge shown in FIG. 1.

FIG. 6 is a perspective view of an alternative embodiment of the link bridge shown in FIG. 1.

FIG. 7 is a side view of the link bridge shown in FIG. 6.

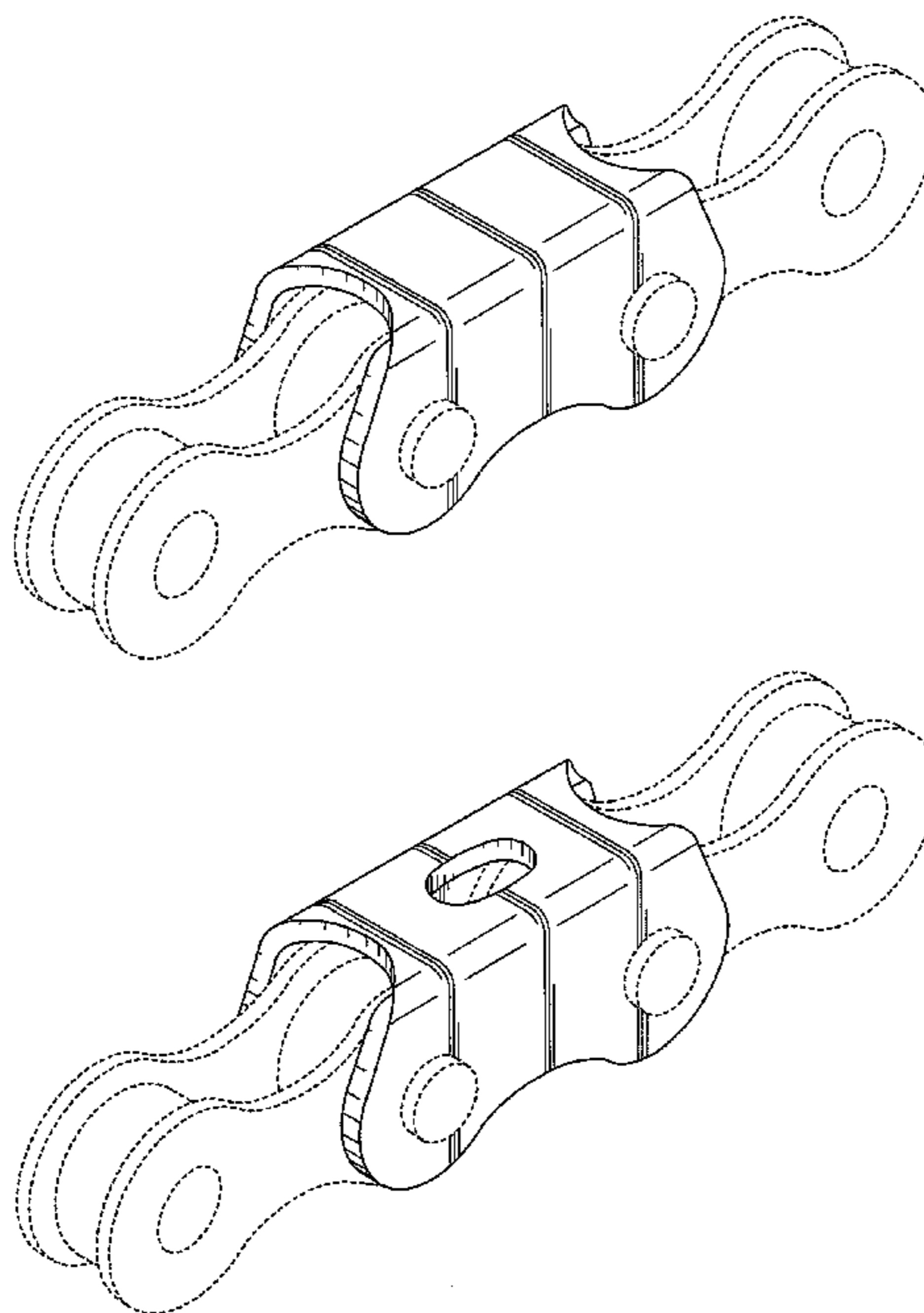
FIG. 8 is a top view of the link bridge shown in FIG. 6.

FIG. 9 is an end view of the link bridge shown in FIG. 6; and,

FIG. 10 is a bottom view of the link bridge shown in FIG. 6.

In the drawings, the broken line showing of inner plates of a chain depicts environmental subject matter and forms no part of the claim.

1 Claim, 4 Drawing Sheets



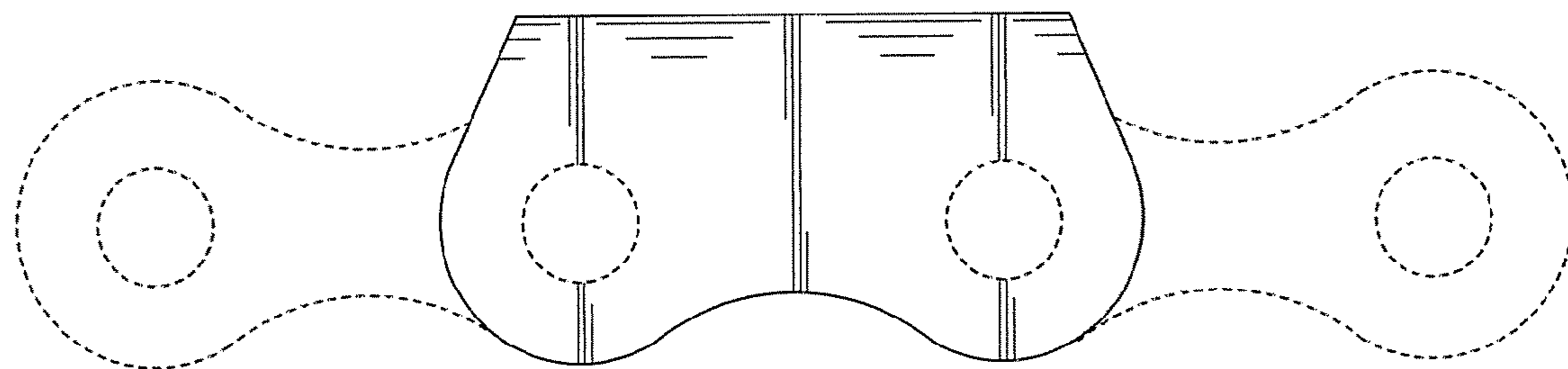
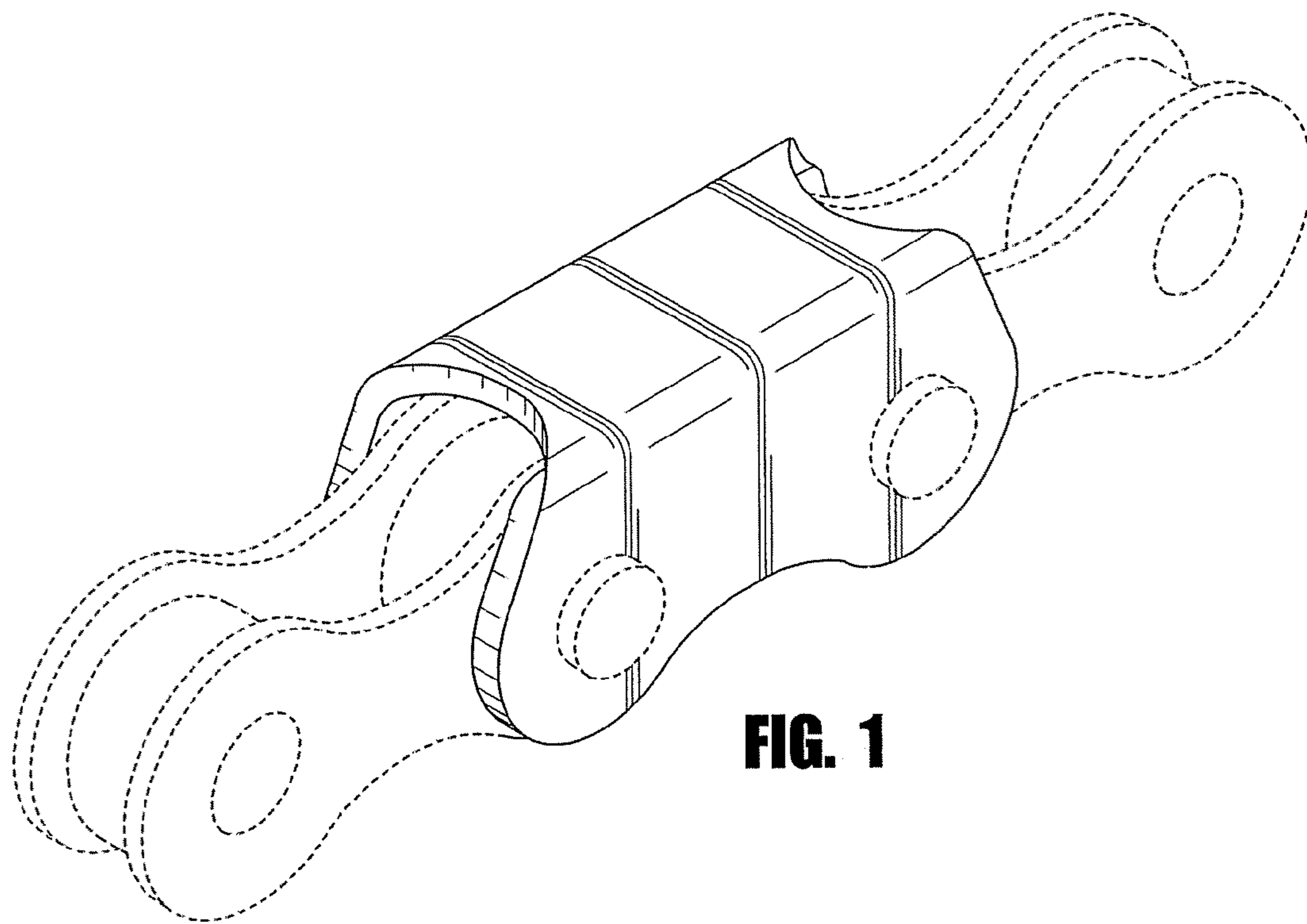
US D565,402 S

Page 2

U.S. PATENT DOCUMENTS

2,620,676	A *	12/1952	Raddings	474/156	5,787,700	A	8/1998	Tanaka	
2,893,540	A *	7/1959	Freeman	198/683	6,165,092	A	12/2000	Bramham et al.	
3,086,404	A *	4/1963	Krekeler	474/223	6,220,981	B1	4/2001	Yoshida	
3,188,795	A *	6/1965	Ulm	59/91	6,640,534	B1 *	11/2003	Harns et al.	59/5
3,586,393	A *	6/1971	Myers	305/160	6,662,544	B1	12/2003	Wu	
4,020,631	A *	5/1977	Wildman et al.	59/90	6,679,541	B1	1/2004	Hanser et al.	
4,020,712	A	5/1977	McKeon et al.		6,874,617	B1	4/2005	Layne	
4,297,839	A *	11/1981	Gurney	59/85	6,908,407	B2	6/2005	Saitoh	
4,464,151	A	8/1984	Kahl		6,966,170	B2	11/2005	Meggiolan	
4,586,913	A	5/1986	Nagano		7,007,451	B2	3/2006	Bachmair	
4,941,316	A *	7/1990	Bechtold	59/78	2002/0072443	A1	6/2002	Kanehira et al.	
5,151,066	A	9/1992	Wu		2003/0121248	A1	7/2003	Nakagawa	
5,156,574	A *	10/1992	Gai	474/155	2004/0093849	A1 *	5/2004	Thomas et al.	59/84
5,161,674	A	11/1992	Rutz et al.		2005/0130779	A1 *	6/2005	Sudo et al.	474/213
5,425,679	A	6/1995	Utz		2005/0192138	A1	9/2005	Sze et al.	
5,465,568	A	11/1995	Wang		2007/0072719	A1 *	3/2007	Sakamoto	474/212
5,468,376	A	11/1995	Bates		2007/0275804	A1 *	11/2007	Morimoto et al.	474/213
5,520,585	A	5/1996	Green et al.						

* cited by examiner



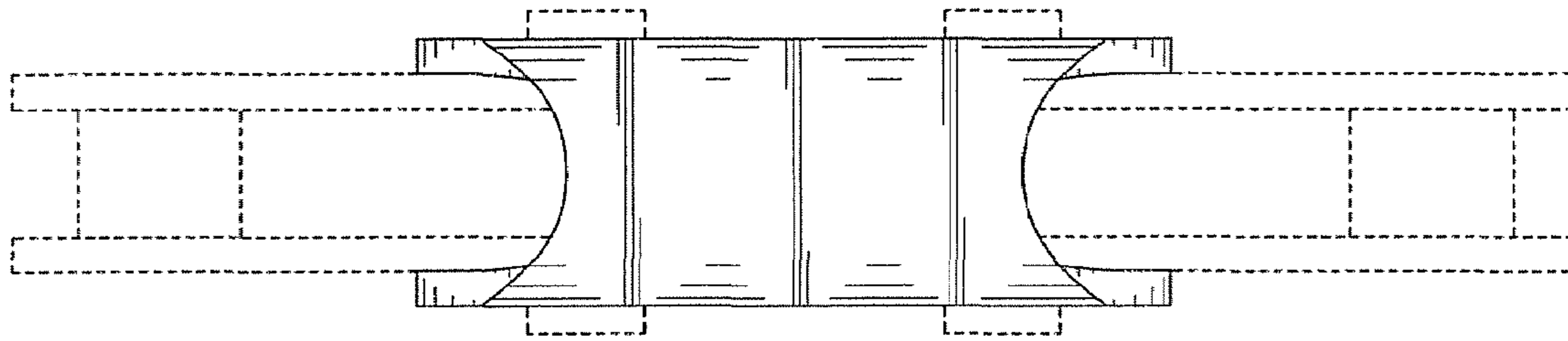


FIG. 3

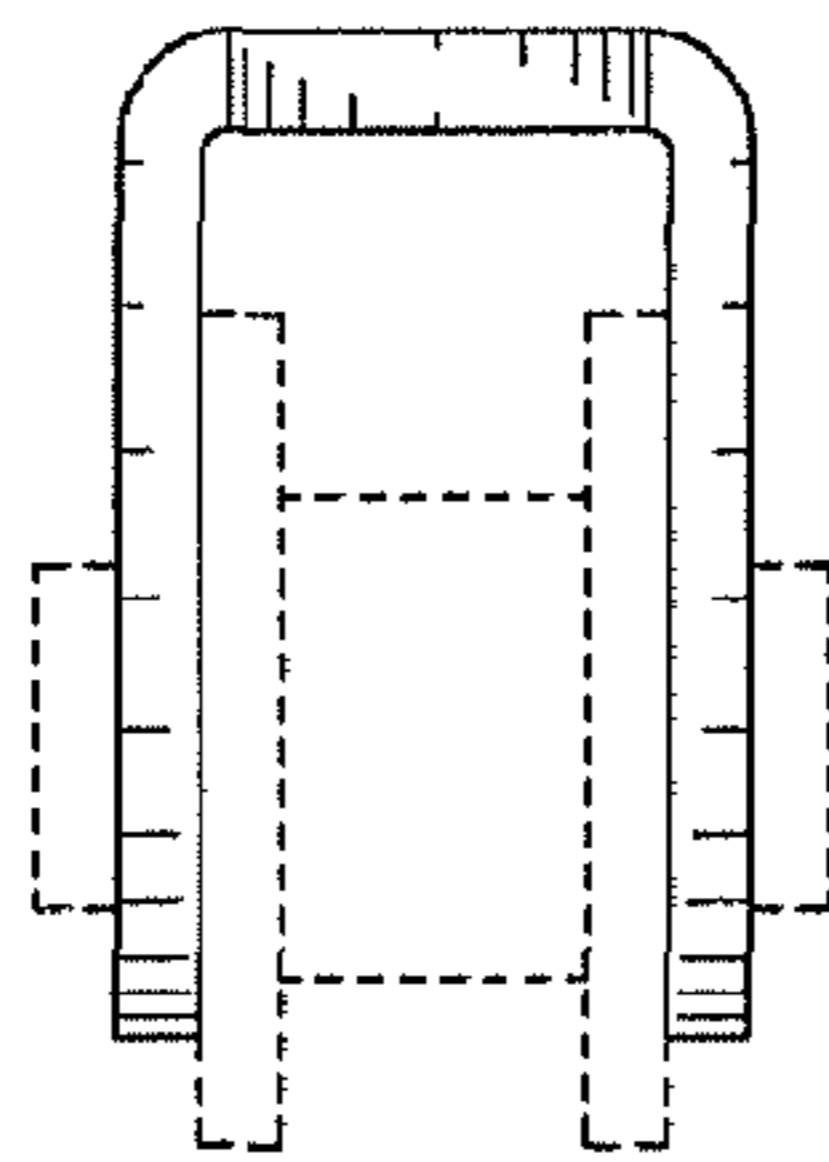


FIG. 4

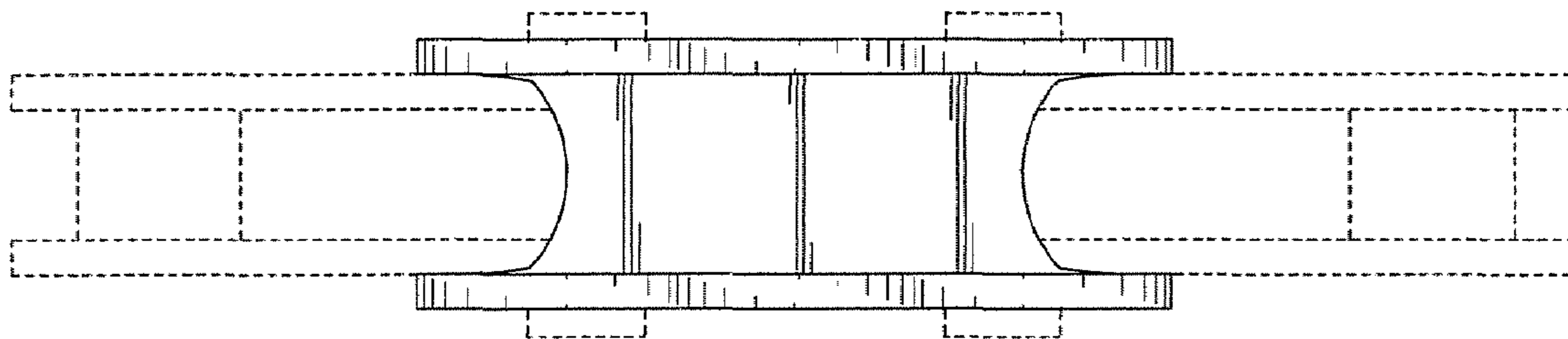
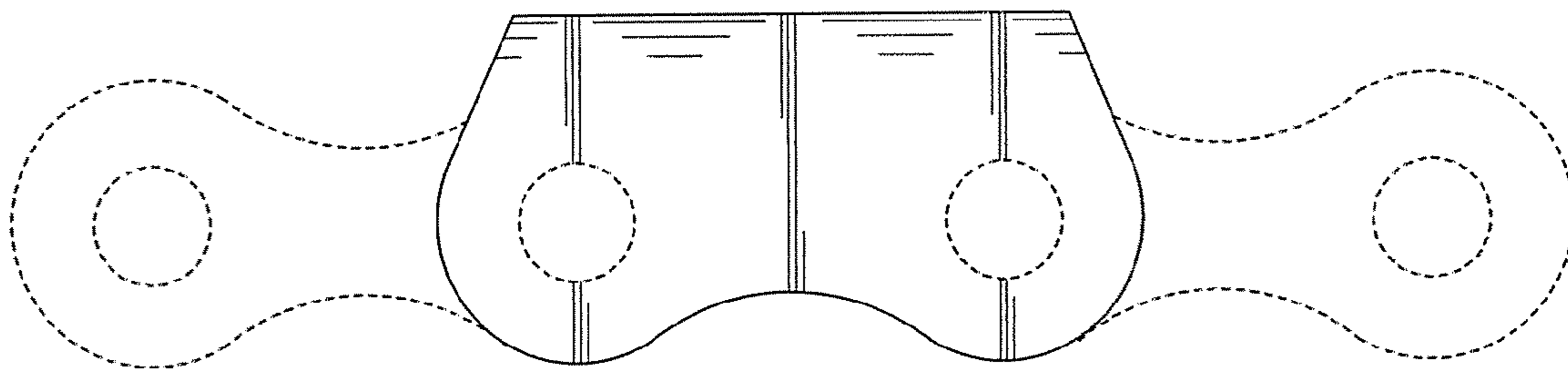
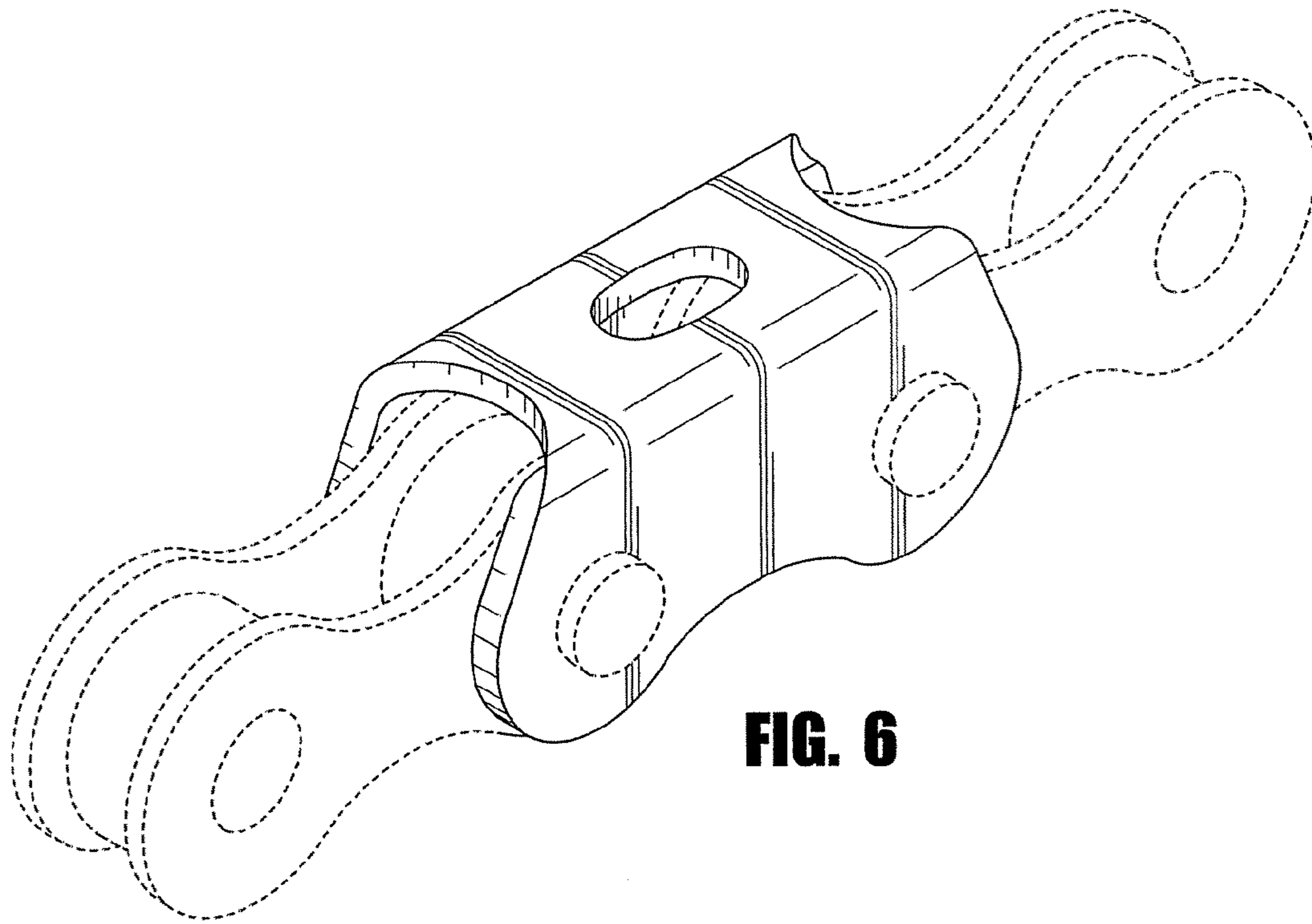


FIG. 5



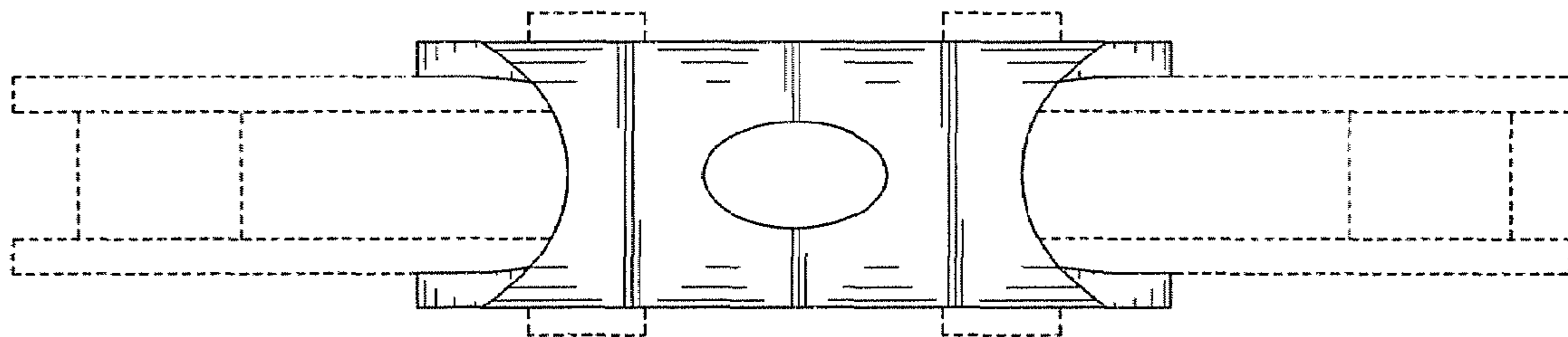


FIG. 8

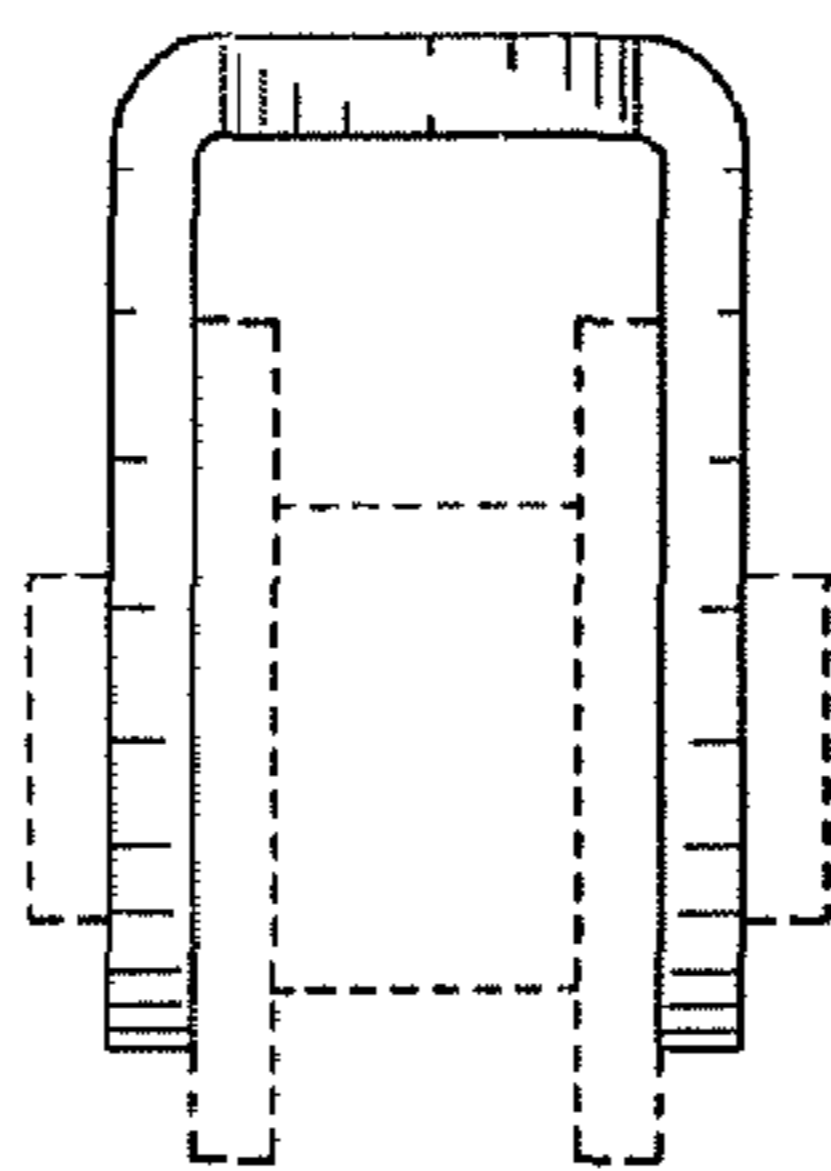


FIG. 9

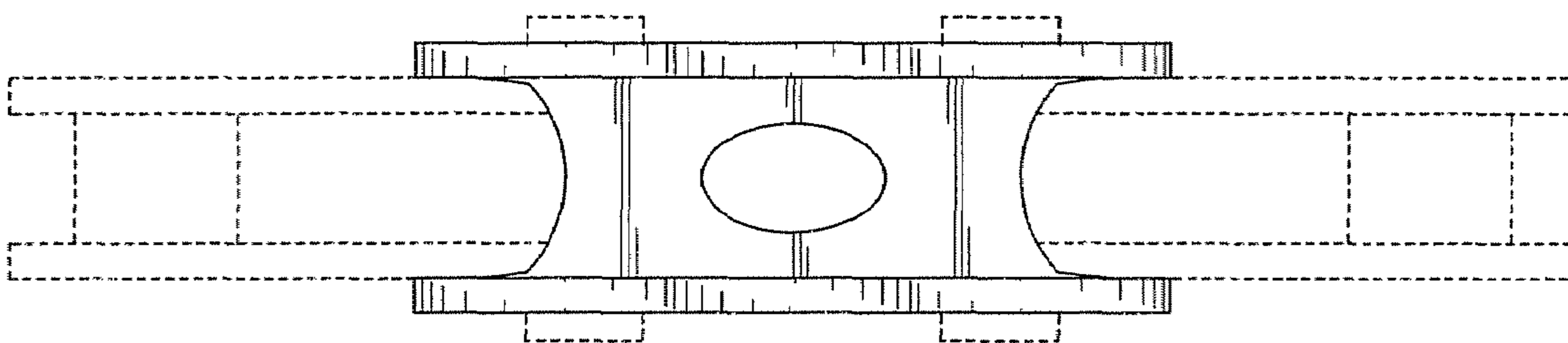


FIG. 10