



US00D565400S

(12) **United States Design Patent**  
**Belokin**

(10) **Patent No.:** **US D565,400 S**

(45) **Date of Patent:** **\*\* Apr. 1, 2008**

(54) **HOOK SUSPENSION ANCHOR**

D310,165 S \* 8/1990 Cobb ..... D8/381  
D352,654 S \* 11/1994 Hansen ..... D8/380  
D470,397 S \* 2/2003 Valiulis et al. .... D8/380

(75) Inventor: **Paul Belokin**, Denton County, TX (US)

(73) Assignee: **Displays by Martin Paul, Inc. -  
Creative Center**, Denton, TX (US)

(\*\*) Term: **14 Years**

\* cited by examiner

*Primary Examiner*—Gary D. Watson

*Assistant Examiner*—Susan B Hattan

(74) *Attorney, Agent, or Firm*—Jack A. Kanz

(21) Appl. No.: **29/291,480**

(57) **CLAIM**

(22) Filed: **Sep. 4, 2007**

The ornamental design for hook suspension anchor.

(51) **LOC (8) Cl.** ..... **08-05**

(52) **U.S. Cl.** ..... **D8/380**

(58) **Field of Classification Search** ..... D8/381,  
D8/380, 371, 370, 366, 354; 47/40; 248/313,  
248/274.1, 27.8, 231.41, 228.3, 220.41, 220.31,  
248/208, 223.41

See application file for complete search history.

**DESCRIPTION**

FIG. 1 is a bottom perspective view of a hook suspension anchor showing my new design;

FIG. 2 is a front elevational view thereof;

FIG. 3 is a side elevational view of the right-hand side thereof, the left-hand side elevational view being a mirror image of FIG. 3;

FIG. 4 is a rear elevational view thereof;

FIG. 5 is a top plan view thereof; and,

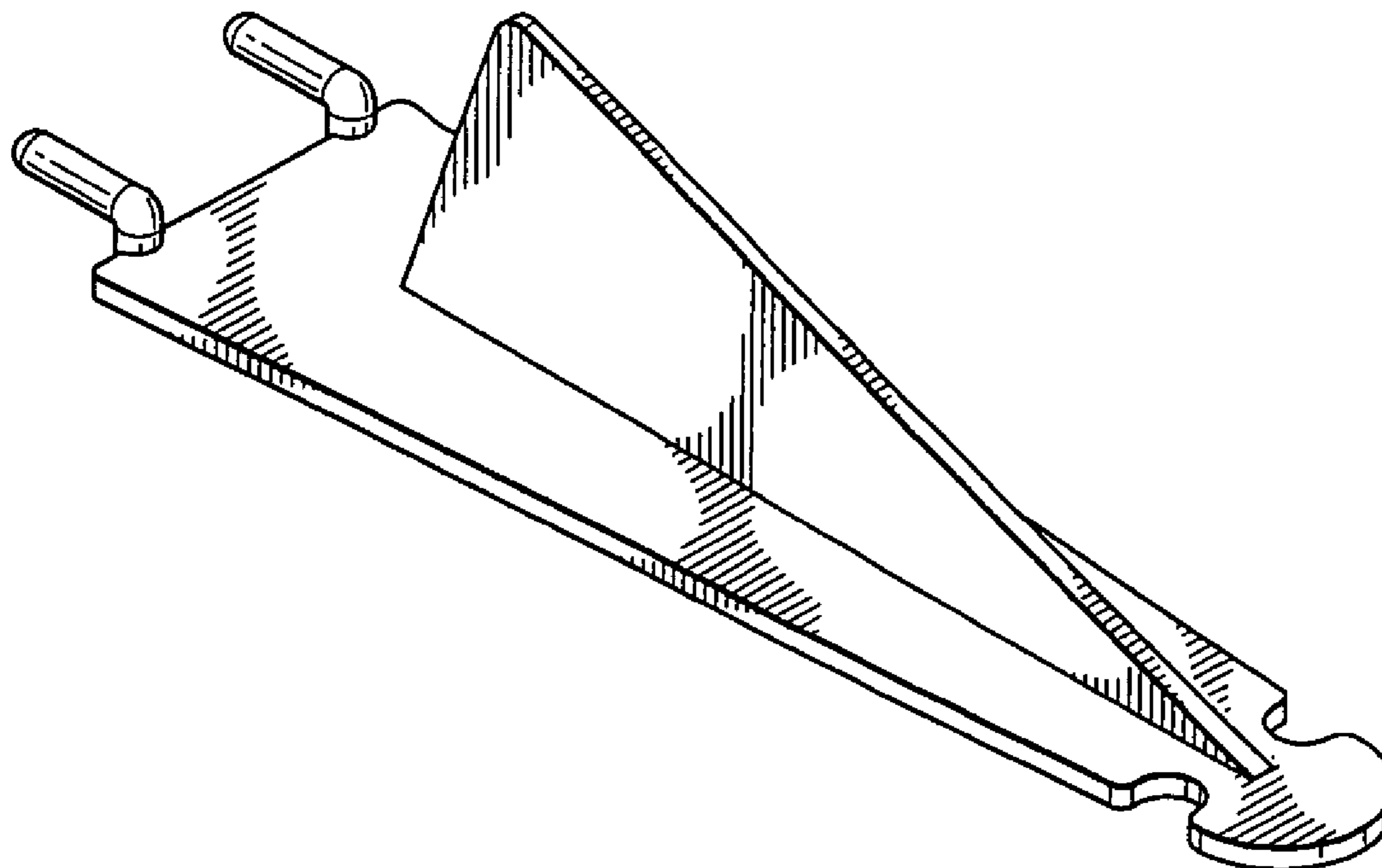
FIG. 6 is a bottom plan view thereof.

(56) **References Cited**

U.S. PATENT DOCUMENTS

D27,175 S \* 6/1897 Shephard ..... D8/381  
1,588,566 A \* 6/1926 Wismer ..... 248/223.41  
4,299,368 A \* 11/1981 Winkler ..... D8/381  
D290,224 S \* 6/1987 Skinner ..... D8/381

**1 Claim, 2 Drawing Sheets**



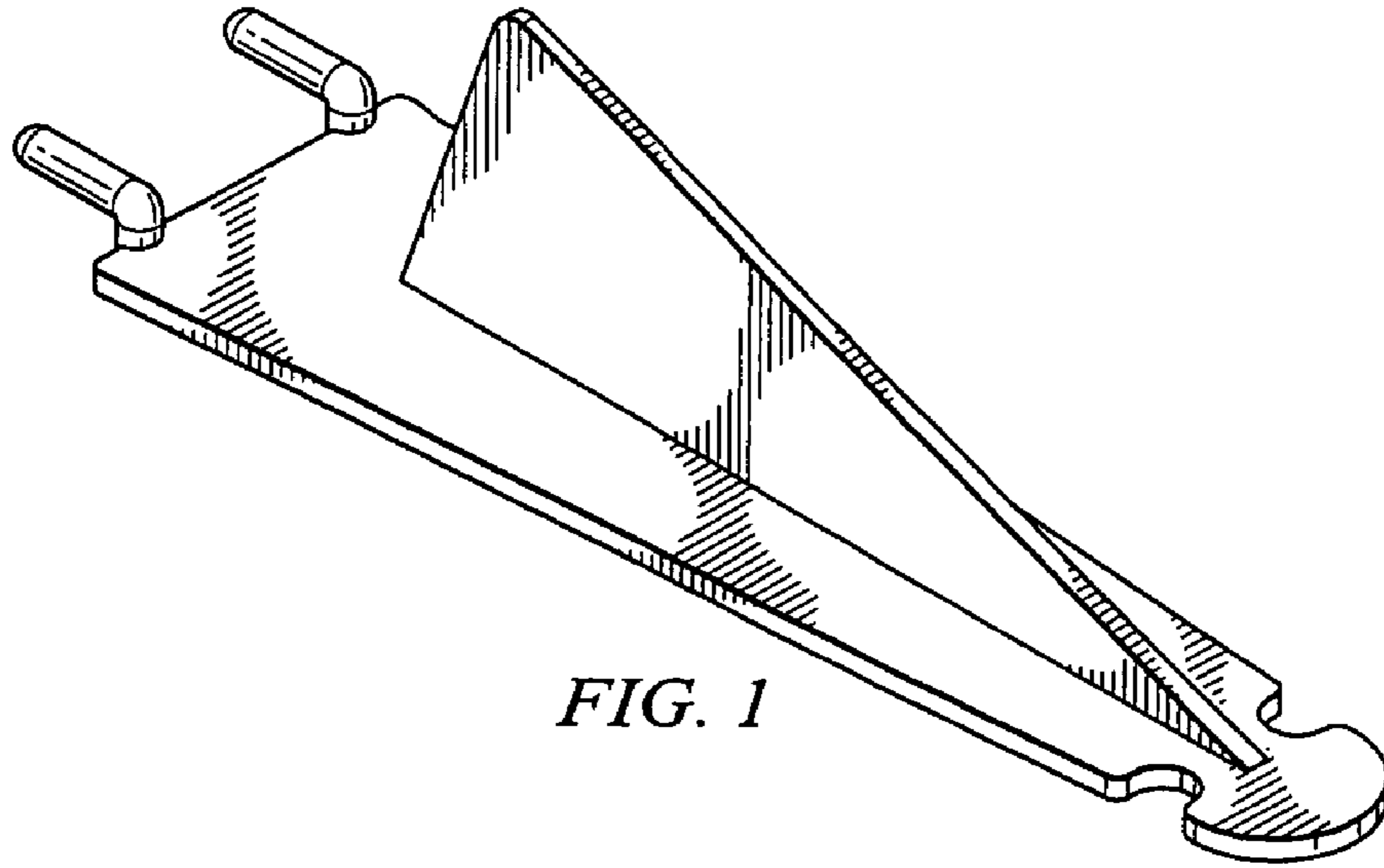


FIG. 1

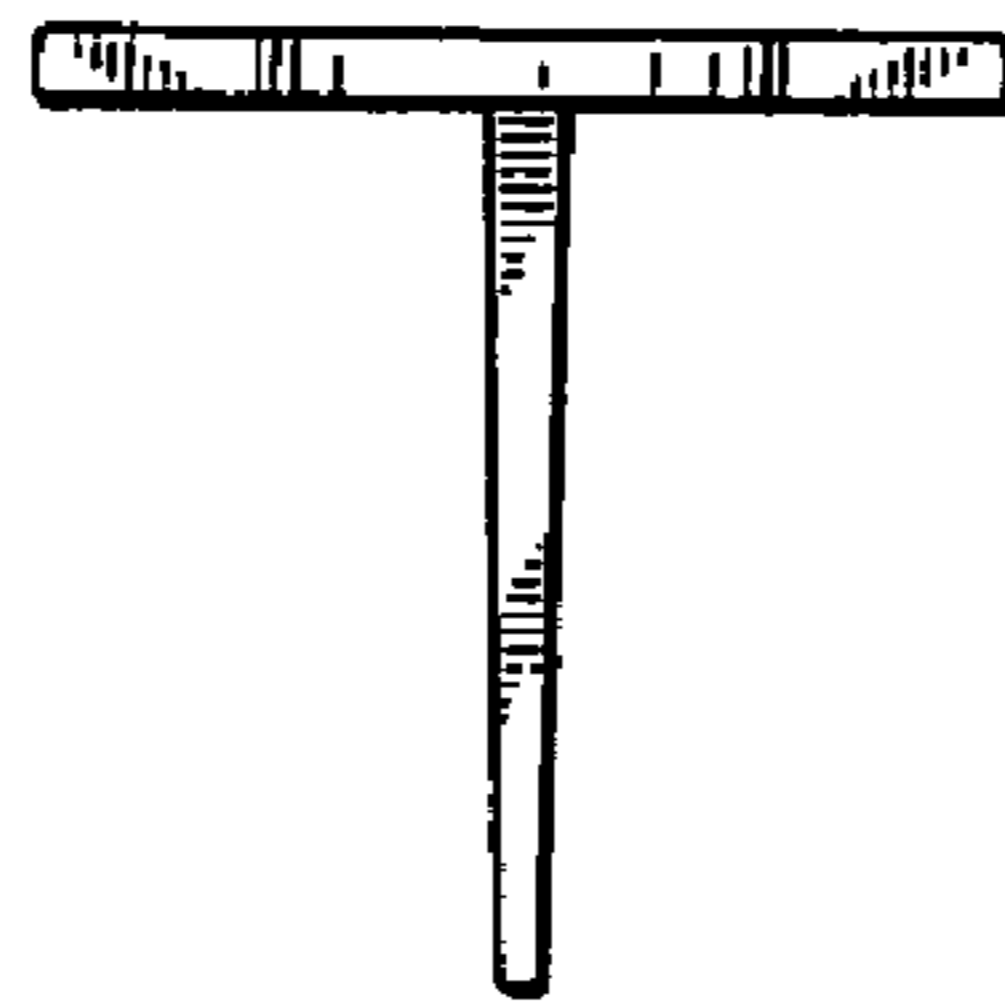


FIG. 2

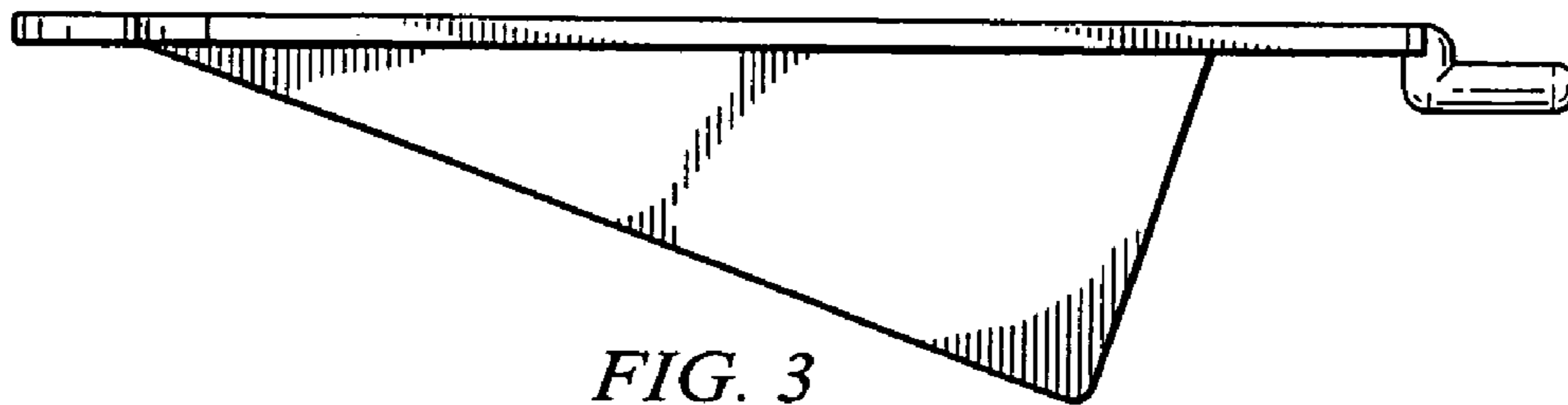


FIG. 3

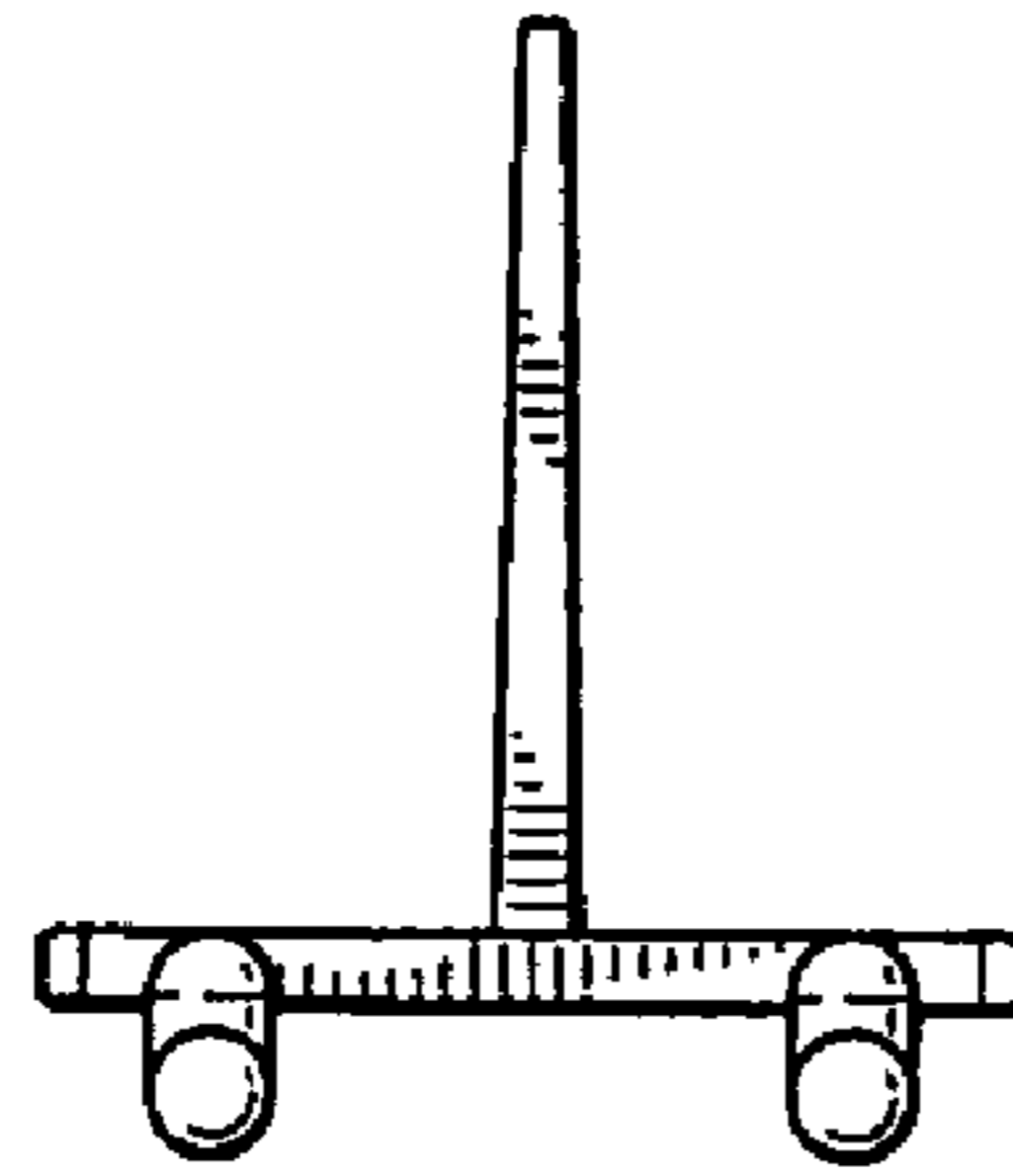


FIG. 4

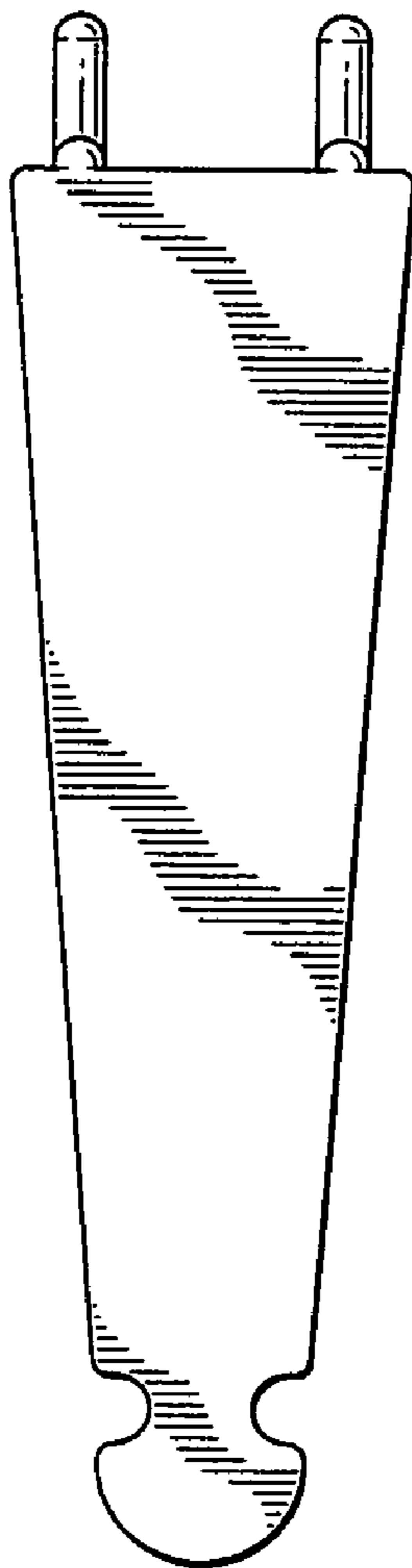


FIG. 5

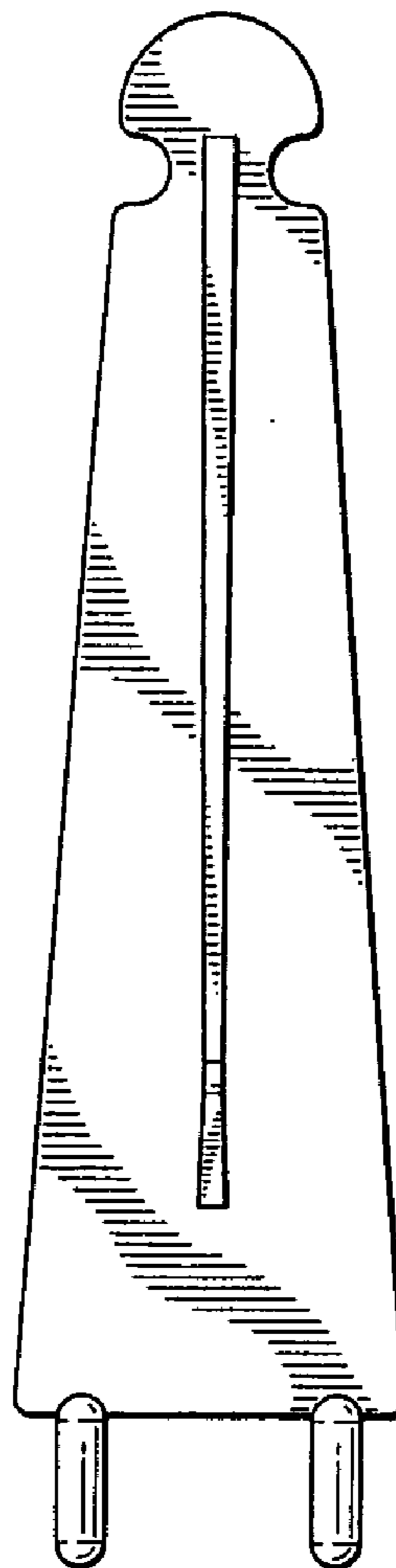


FIG. 6