



US00D565399S

(12) **United States Design Patent** (10) **Patent No.:** **US D565,399 S**
Grey (45) **Date of Patent:** **** Apr. 1, 2008**

(54) **MOUNTING BRACKET FOR ELECTRONIC DISPLAY**

(75) Inventor: **Dominic Grey**, Blaine, MN (US)

(73) Assignee: **CSAV, Inc.**, Savage, MN (US)

(**) Term: **14 Years**

(21) Appl. No.: **29/261,582**

(22) Filed: **Jun. 15, 2006**

(51) **LOC (8) Cl.** **08-05**

(52) **U.S. Cl.** **D8/380**

(58) **Field of Classification Search** D8/380,
D8/373, 363, 377; D25/136, 122, 119; D14/451;
52/718.04, 716.1; 256/69, 67, 24; 248/220.1,
248/200, 205.3, 201, 207, 917, 294.1, 291.1,
248/292.13, 289.11, 225.21
See application file for complete search history.

(56) **References Cited**

U.S. PATENT DOCUMENTS

6,102,348 A	8/2000	O'Neill	
D490,697 S *	6/2004	Runnalls	D8/380
D493,800 S	8/2004	Pfister et al.	
D494,596 S	8/2004	Pfister	
6,923,413 B2	8/2005	Dozier	
D517,085 S *	3/2006	Deuschle	D14/451
D528,901 S *	9/2006	David	D8/373
D530,595 S *	10/2006	Lam et al.	D8/373
7,152,836 B2 *	12/2006	Pfister et al.	248/292.14
D538,140 S *	3/2007	Ly Hau et al.	D8/373
D538,141 S *	3/2007	Stenhouse et al.	D8/373
D538,632 S *	3/2007	Ly Hau et al.	D8/363
D539,125 S *	3/2007	Ly Hau et al.	D8/373
D539,126 S *	3/2007	Stenhouse et al.	D8/373
D539,637 S *	4/2007	Ly Hau et al.	D8/373

OTHER PUBLICATIONS

Mounts by PDR, A Division of David Engineering, *Panel Display Pivot Mount*, pp. 4.
FIMCO, *Wall Mount Kit for Plasma TV Screens*, Nov. 2003, pp. 12.
PEERLESS, *SmartMount™ Universal Tilt Wall Mount for 32" to 50" Plasma and LCD Flat Panel Screens*, 2006, pp. 2.

PEERLESS, *SmartMount™ Universal Tilt Wall Mount for 61" to 102" Plasma and LCD Flat Panel Screens*, 2006, pp. 2.

PEERLESS, *SmartMount™ Universal Tilt Wall Mount for 42" to 71" Plasma and LCD Flat Panel Screens*, 2006, pp. 2.

PEERLESS, *SmartMount™ Universal Tilt Wall Mount for 32" to 60" Plasma and LCD Flat Panel Screens*, 2006, pp. 2.

PEERLESS, *SmartMount™ Universal Tilt Wall Mount for 23" to 46" LCD Flat Panel Screens*, 2006, pp. 2.

(Continued)

Primary Examiner—Gary D. Watson

Assistant Examiner—Susan Bennett Hattan

(74) *Attorney, Agent, or Firm*—Patterson, Thunte, Skaar & Christensen, PA

(57) **CLAIM**

I claim the ornamental design for mounting bracket for electronic display, as shown.

DESCRIPTION

FIG. 1 is a front perspective view of a mounting bracket for electronic display;

FIG. 2 is a front elevation view of the mounting bracket for electronic display of FIG. 1;

FIG. 3 is a rear elevation view of the mounting bracket for electronic display of FIG. 1;

FIG. 4 is a top plan view of the mounting bracket for electronic display of FIG. 1;

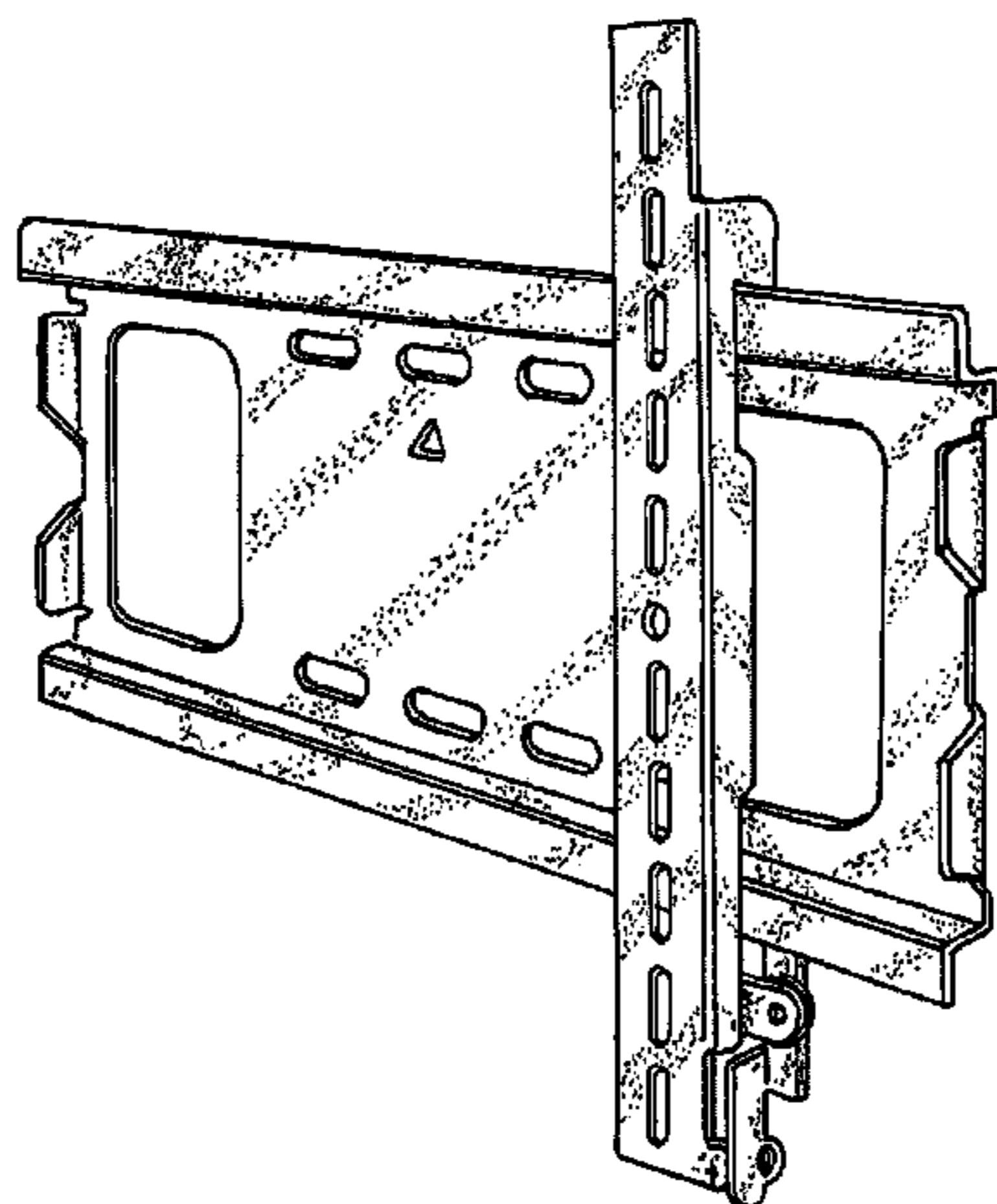
FIG. 5 is a bottom plan view of the mounting bracket for electronic display of FIG. 1;

FIG. 6 is a side elevation view of the mounting bracket for electronic display of FIG. 1; and,

FIG. 7 is an opposing side elevation view of the mounting bracket for electronic display in FIG. 6.

The broken line depiction of the mounting structure is included for the purpose of illustrating environment and forms no part of the claimed design.

1 Claim, 3 Drawing Sheets



OTHER PUBLICATIONS

PEERLESS, *SmartMount™ Universal Flat Wall Mount for 61" to 102" Plasma and LCD Flat Panel Screens*, 2006, pp. 2.

PEERLESS, *SmartMount™ Universal Flat Wall Mount for 42" to 71" Plasma and LCD Flat Panel Screens*, 2006, pp. 2.

PEERLESS, *SmartMount™ Universal Flat Wall Mount for 32" to 60" Plasma and LCD Flat Panel Screens*, 2006, pp. 2.

PEERLESS, *SmartMount™ Universal Flat Wall Mount for 23" to 46" LCD Flat Panel Screens*, 2006, pp. 2.

PEERLESS, *SmartMount™ Universal Tilt Wall Mount for 22" to 49" Screens*, Mar. 31, 2005, pp. 12.

VIEWSONIC, *Mount*, 2005, pp. 1.

HITACHI, *Mount*, 2005, pp. 1.

* cited by examiner

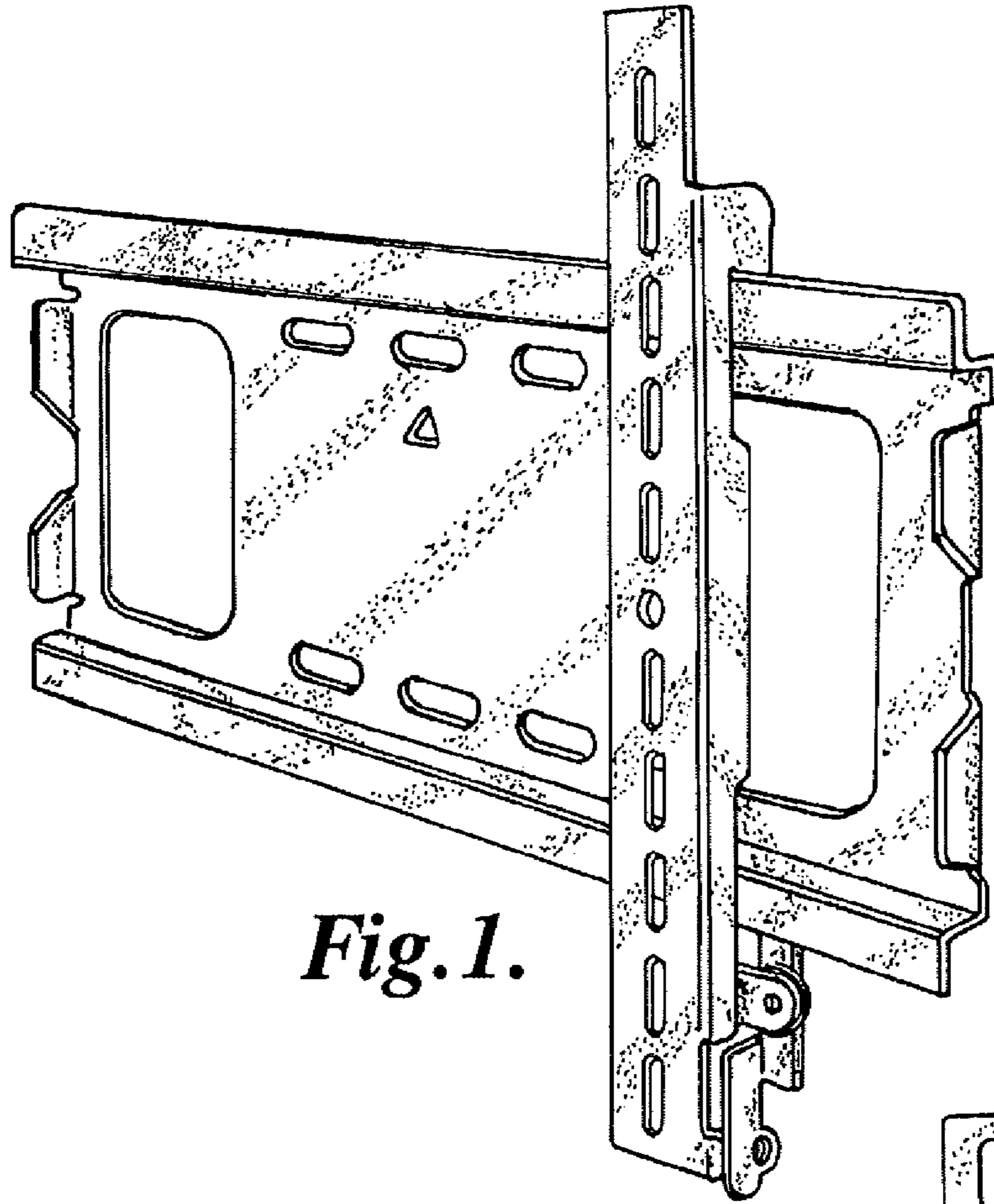


Fig. 1.

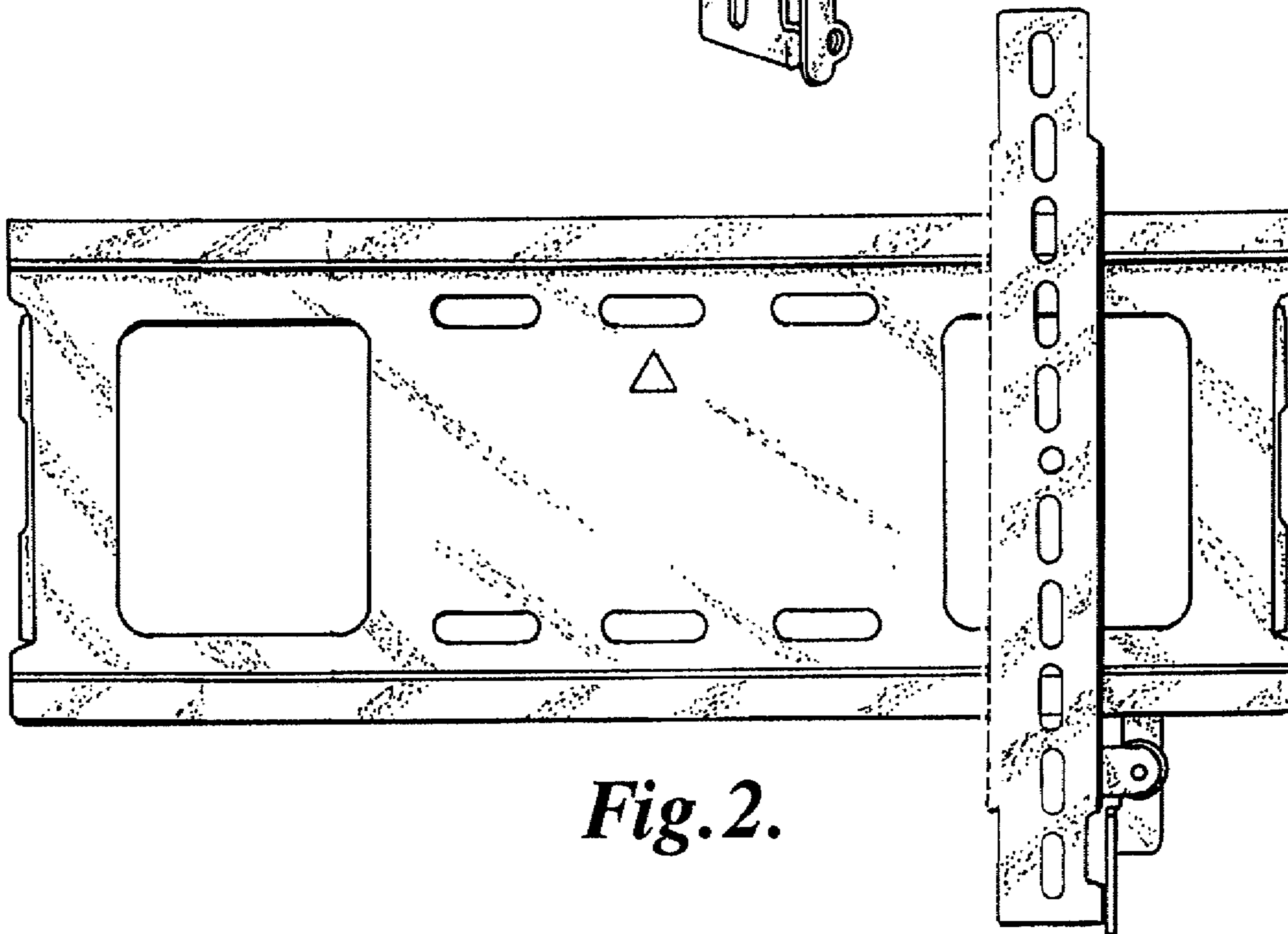


Fig. 2.

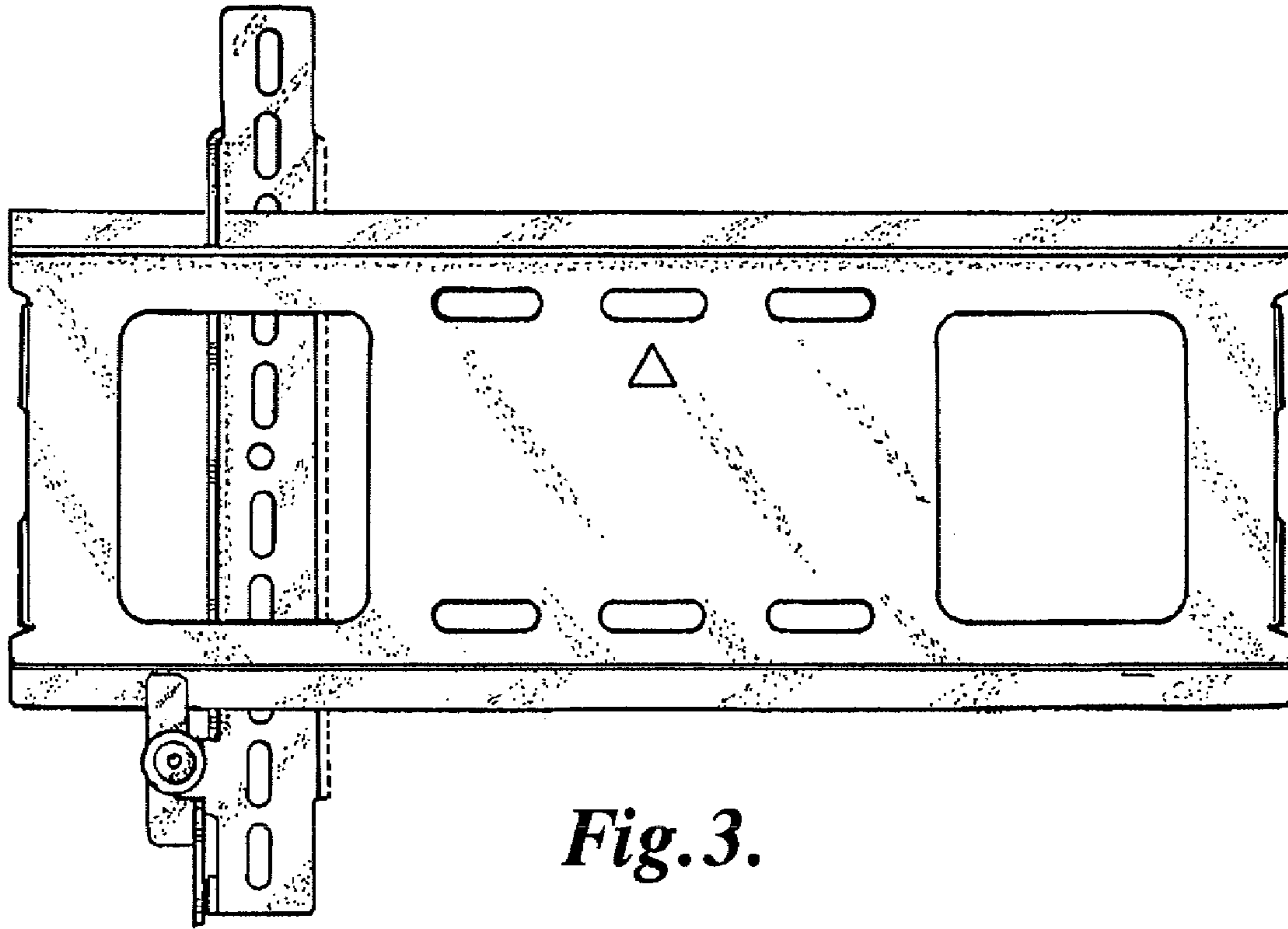


Fig. 3.

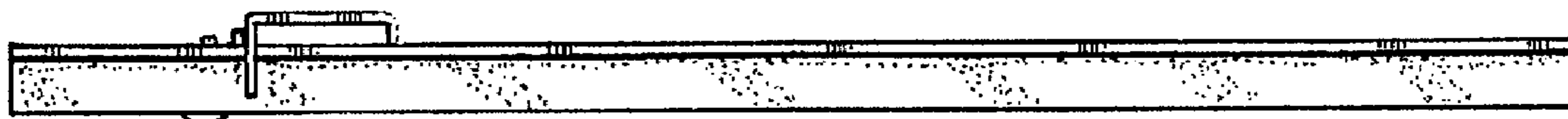


Fig. 4.



Fig. 5.



Fig. 6.

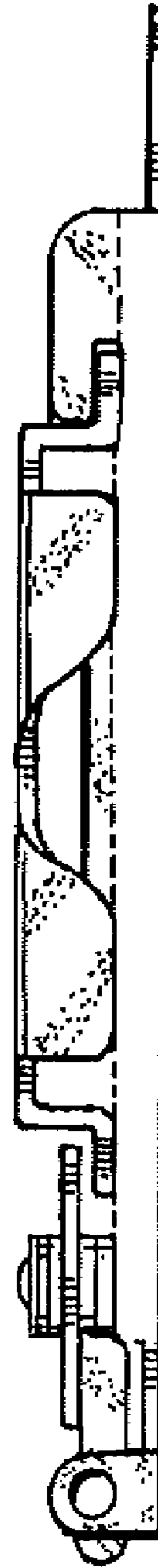


Fig. 7.