

US00D565397S

(12) **United States Design Patent**  
**Fraga**

(10) **Patent No.:** **US D565,397 S**

(45) **Date of Patent:** **\*\* Apr. 1, 2008**

(54) **HOOK FOR DRILL**

D514,925 S \* 2/2006 Fraga ..... D8/373  
D550,354 S \* 9/2007 Raya ..... D24/128

(76) Inventor: **Juan Carlos Fraga**, 2840 N. Second St., N Ft Myers, FL (US) 33917

\* cited by examiner

(\*\*) Term: **14 Years**

*Primary Examiner*—T. Chase Nelson  
*Assistant Examiner*—Barbara B Lohr

(21) Appl. No.: **29/265,091**

(57) **CLAIM**

(22) Filed: **Aug. 25, 2006**

The ornamental design for a hook for drill, as shown and described.

(51) **LOC (8) Cl.** ..... **08-05**

(52) **U.S. Cl.** ..... **D8/367**

(58) **Field of Classification Search** ..... D8/367,  
D8/373; D2/627; D3/224, 228; D24/128;  
D11/216

See application file for complete search history.

**DESCRIPTION**

FIG. 1 is a front perspective view of a hook for drill in use;  
FIG. 2 is front elevational view thereof;  
FIG. 3 is a rear elevational view thereof;  
FIG. 4 is a right side elevational view thereof;  
FIG. 5 is a left side elevational view thereof;  
FIG. 6 is a top plan view thereof;  
FIG. 7 is a bottom plan view thereof; and,  
FIG. 8 is a bottom plan view of the hook for drill showing the hook portion in an alternate position.

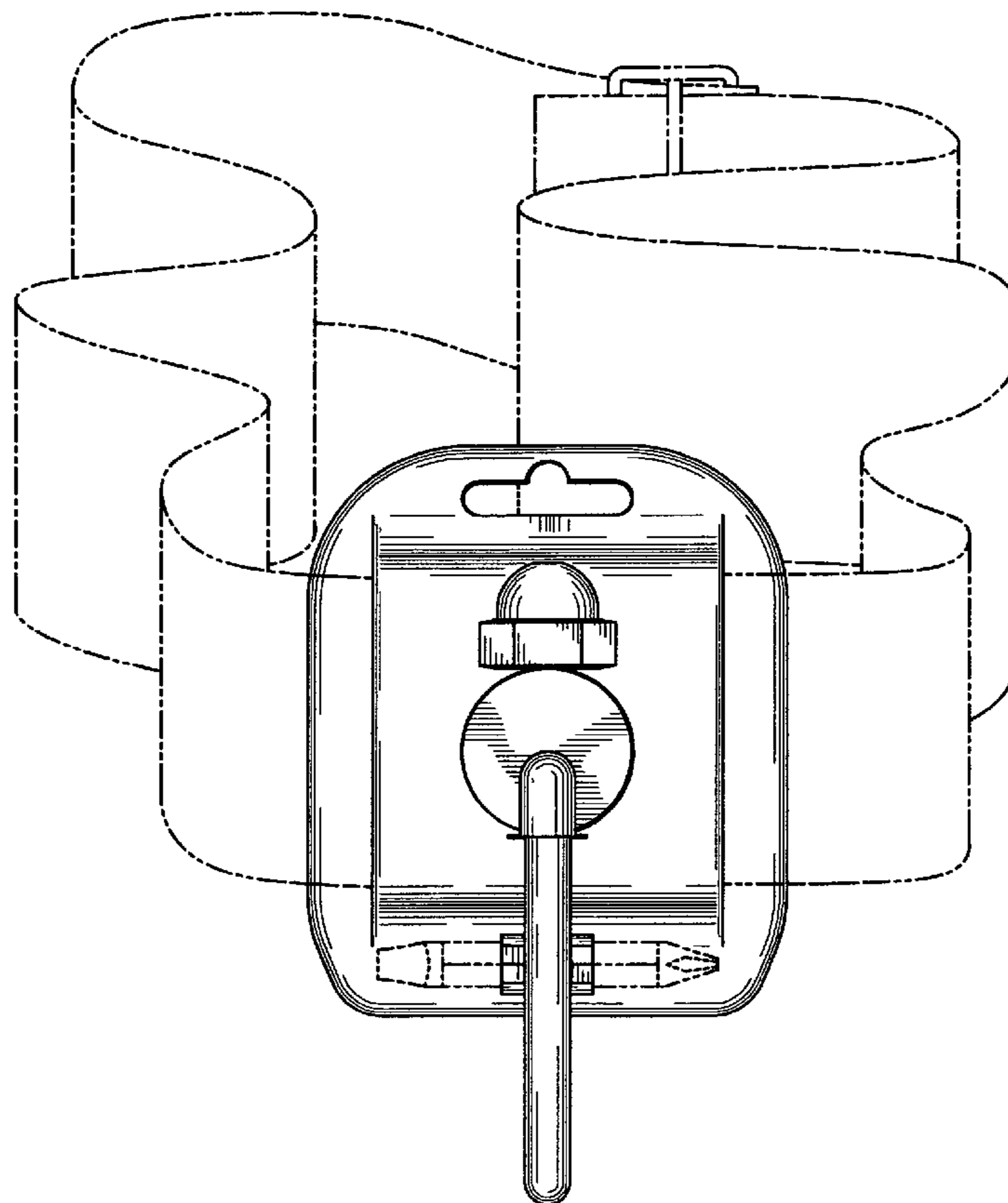
The broken line drawing of environmental structure is for illustrative purposes only and forms no part of the claimed design.

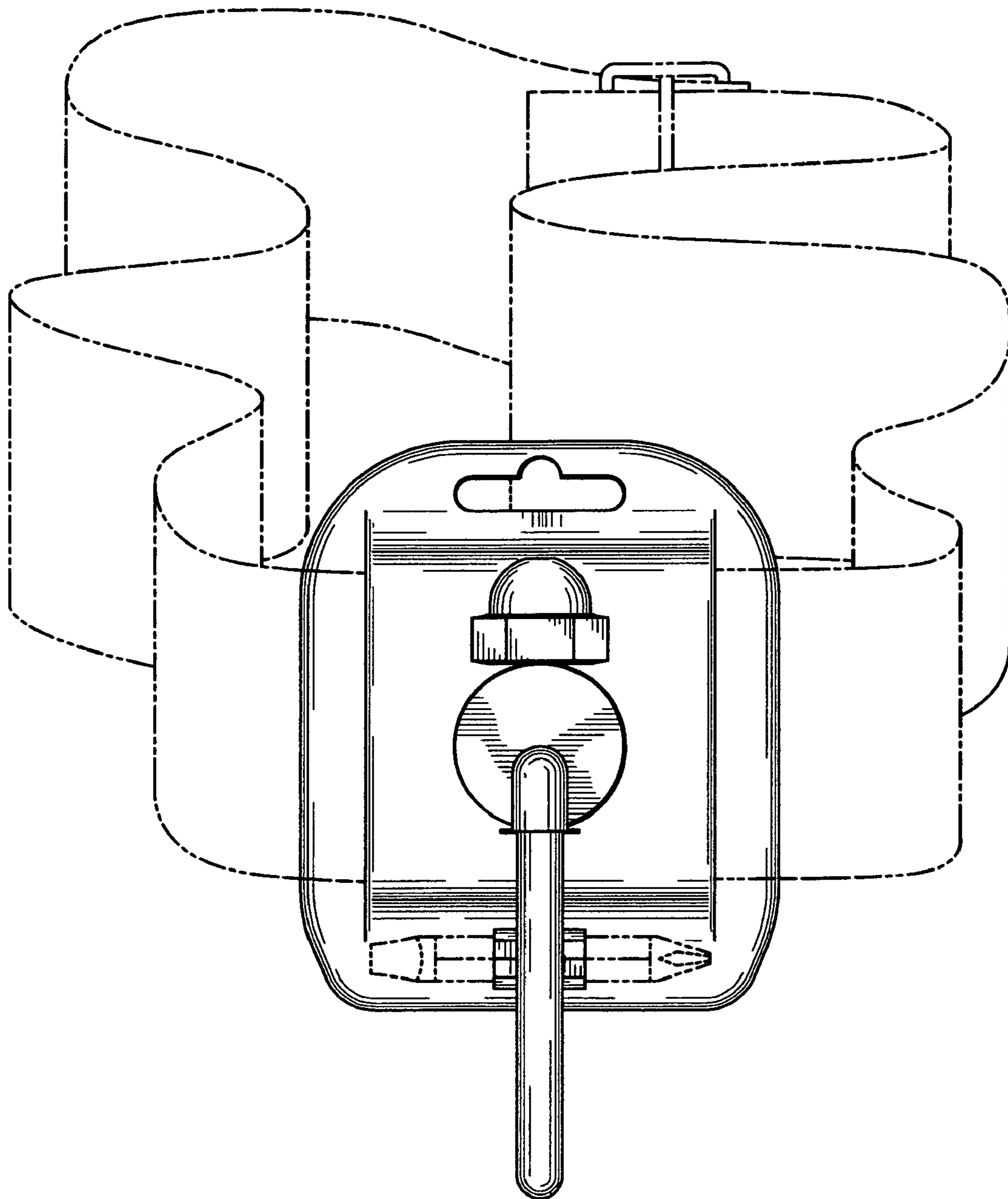
(56) **References Cited**

**U.S. PATENT DOCUMENTS**

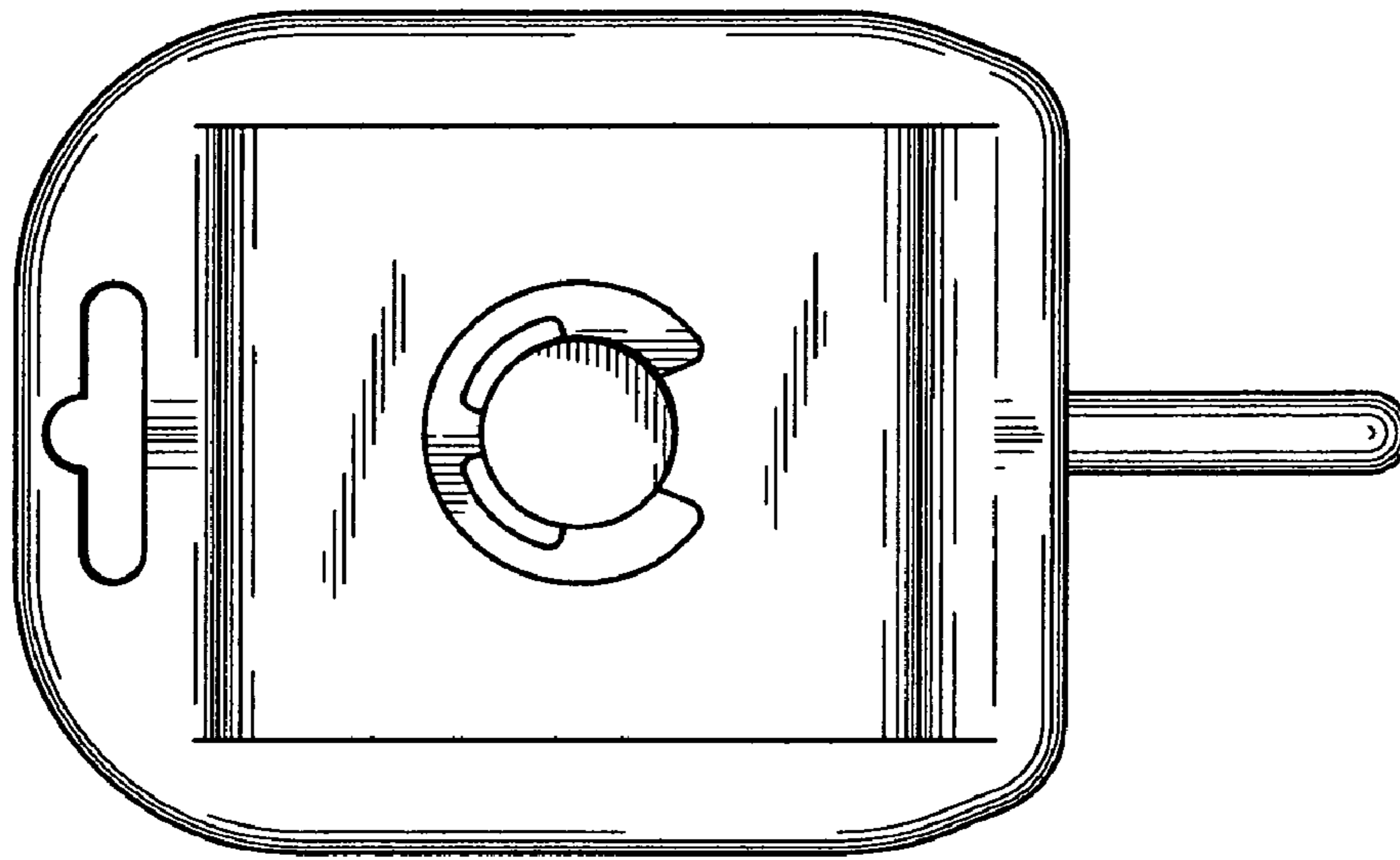
D254,757 S *	4/1980	Rodstein	.....	D3/228
D380,982 S *	7/1997	Nicholl	.....	D11/216
D393,310 S *	4/1998	Russo	.....	D24/128
D409,381 S *	5/1999	Cleveland et al.	.....	D3/228
D440,761 S *	4/2001	Williams et al.	.....	D3/224
D452,610 S *	1/2002	Schwartzmiller	.....	D3/228
D485,062 S *	1/2004	Hotz	.....	D3/228
D489,246 S *	5/2004	Bolieu	.....	D8/367
D492,109 S *	6/2004	Turner et al.	.....	D3/228
D495,853 S *	9/2004	Nelson	.....	D2/627

**1 Claim, 4 Drawing Sheets**

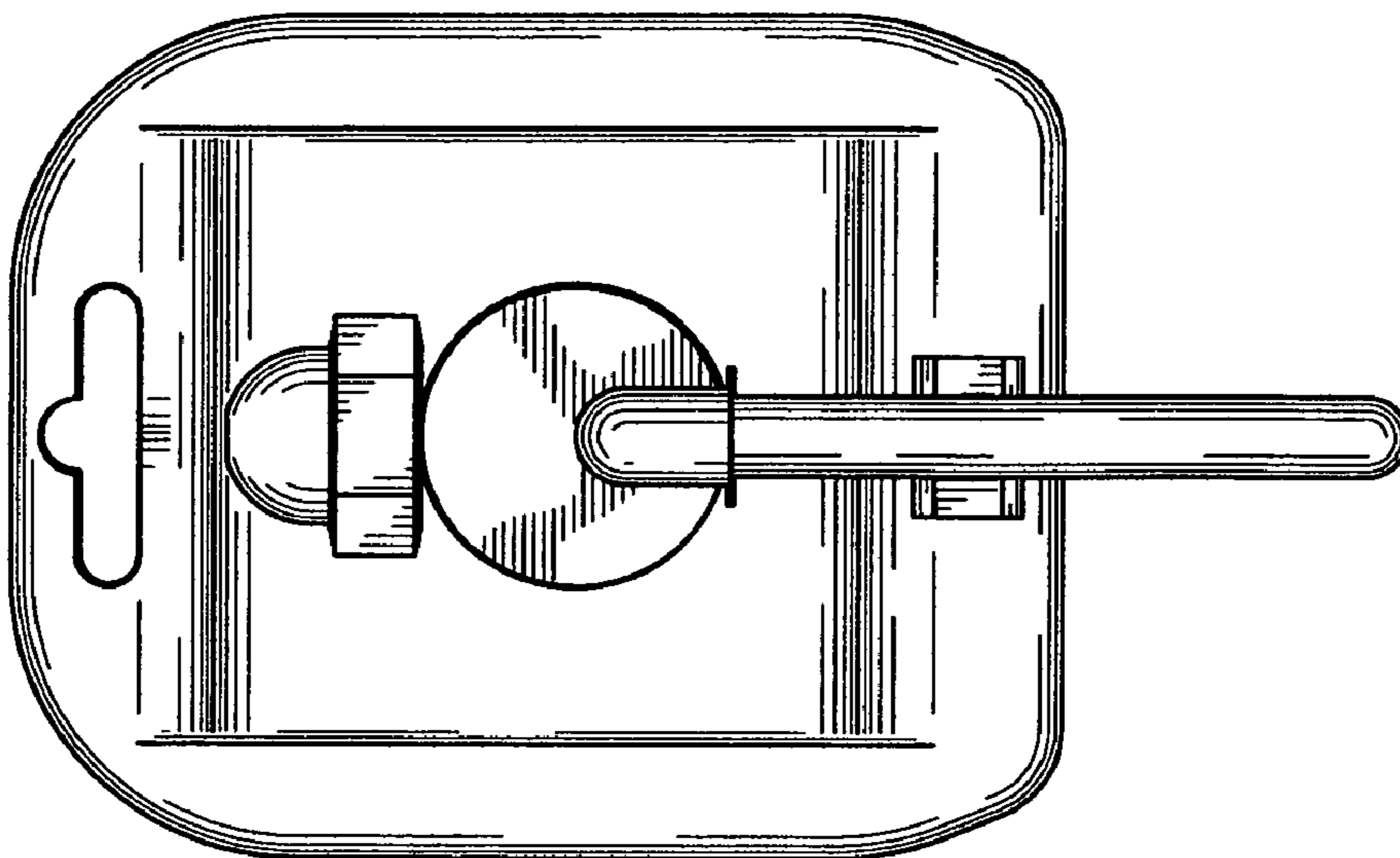




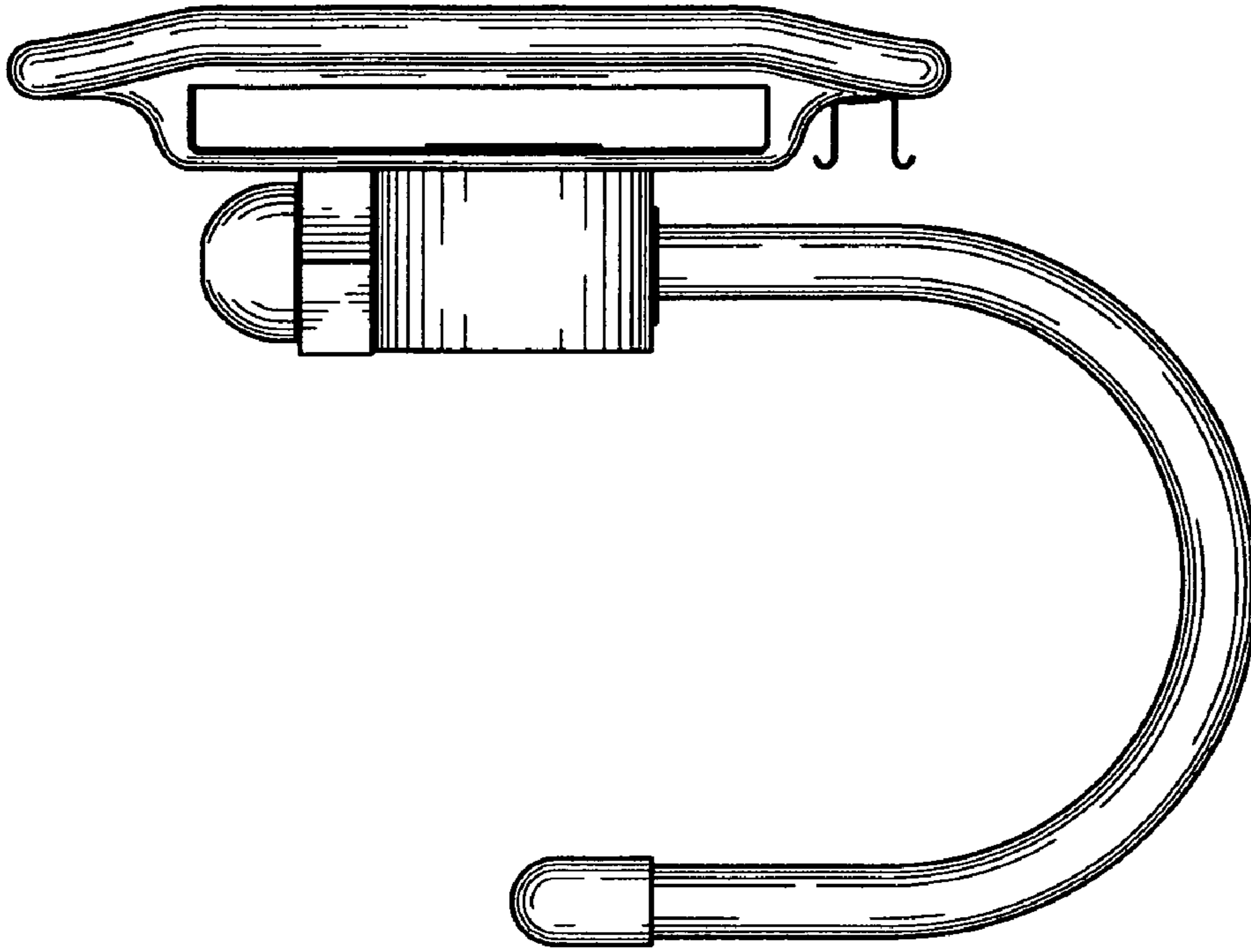
*Fig. 1*



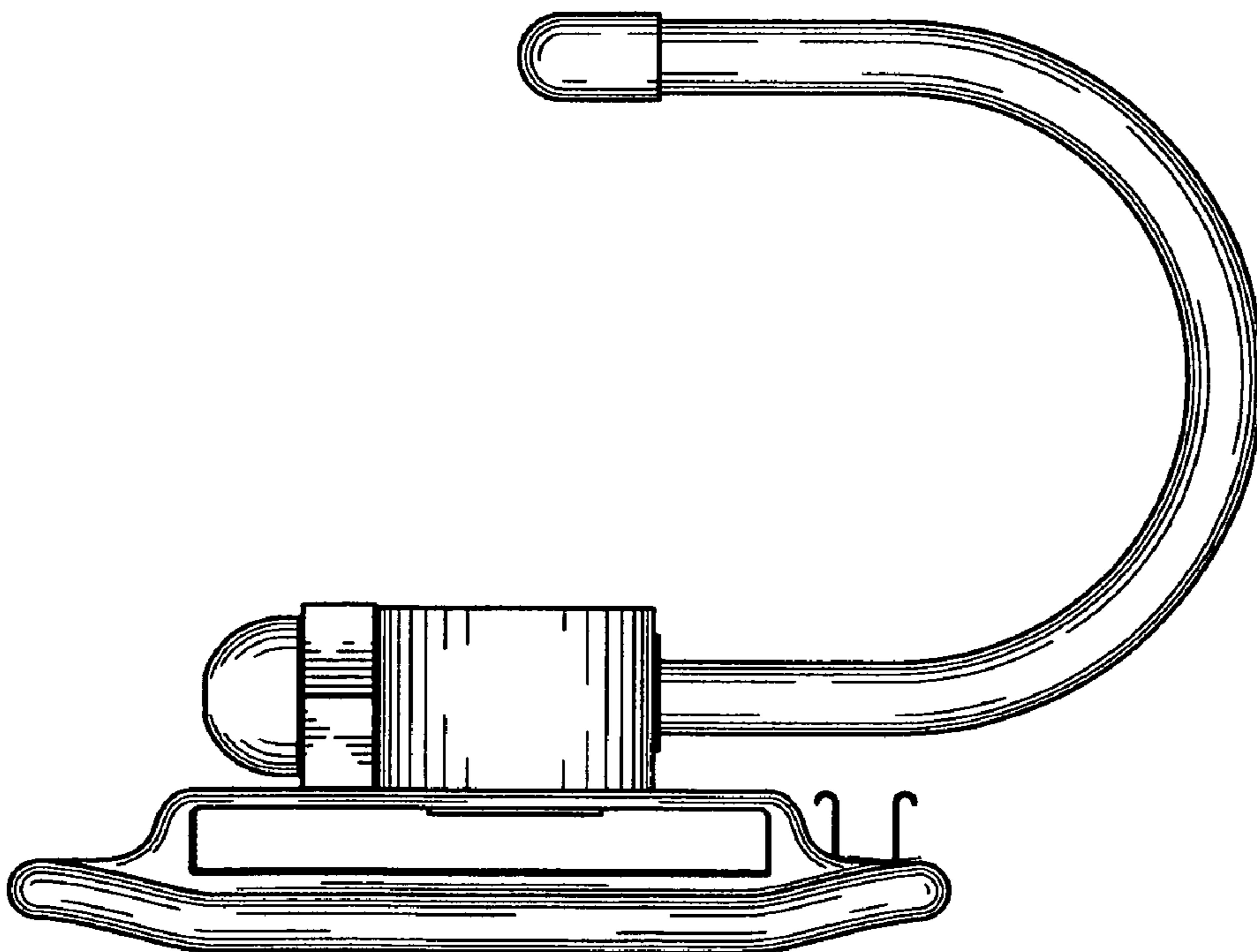
*Fig. 3*



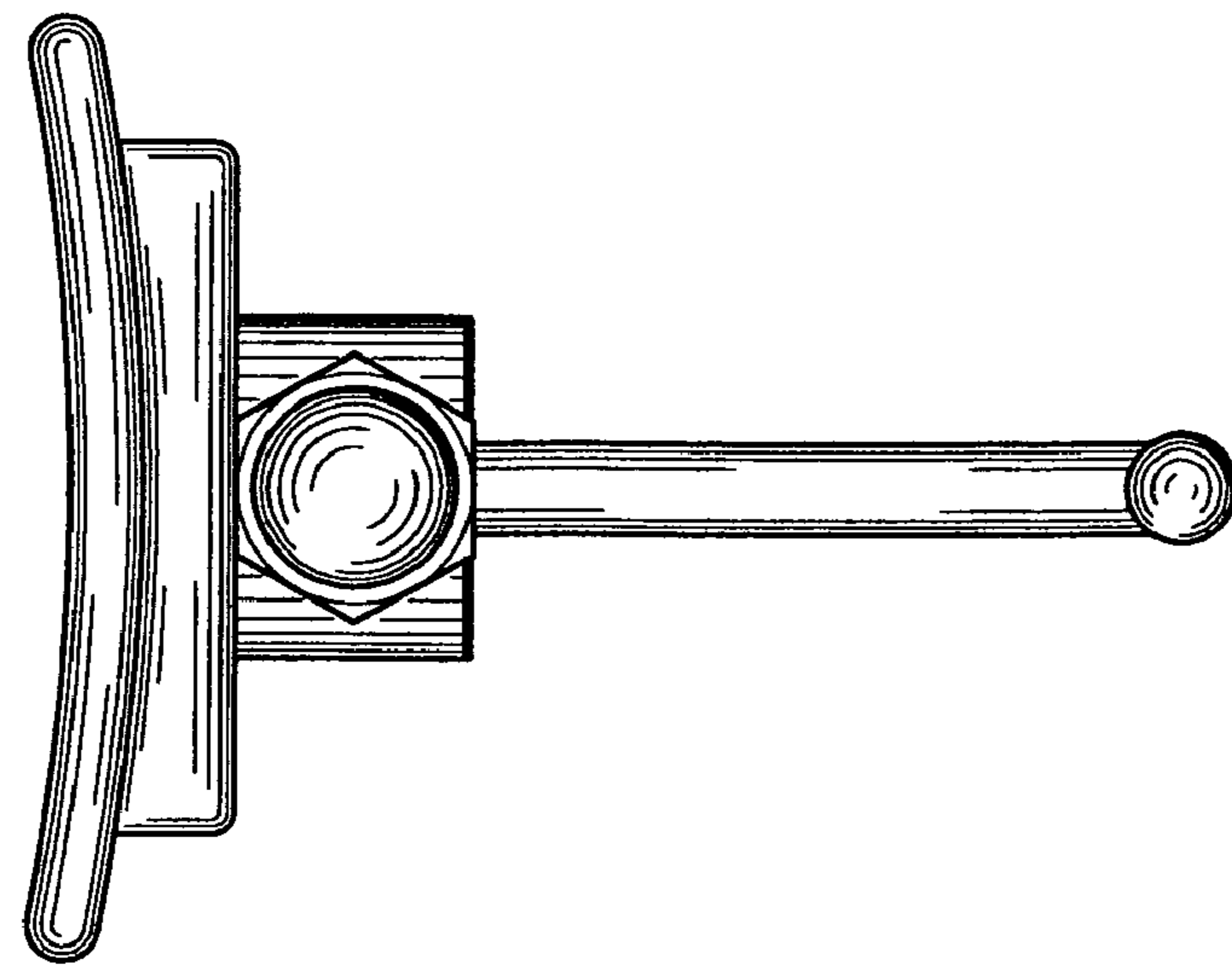
*Fig. 2*



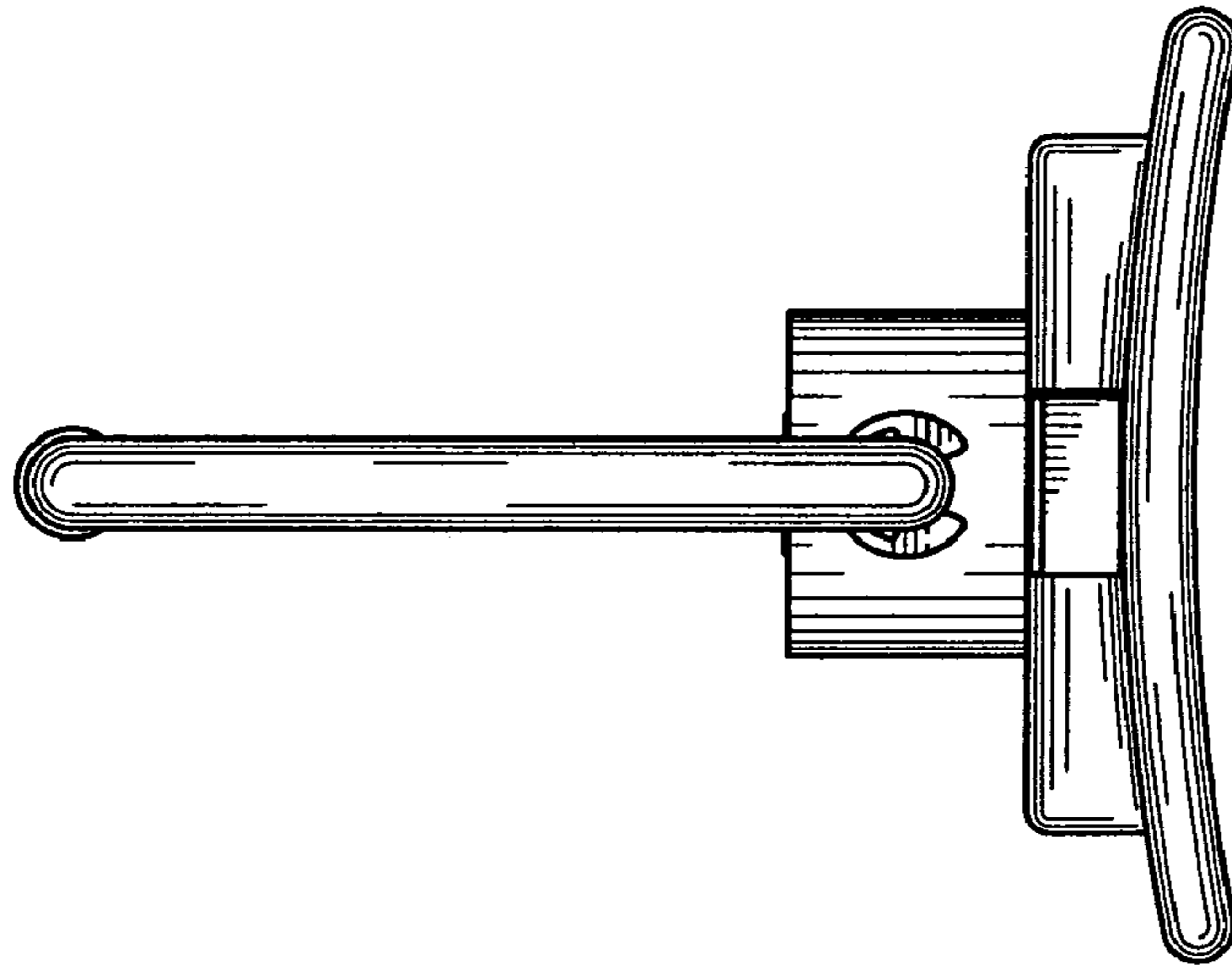
*Fig. 5*



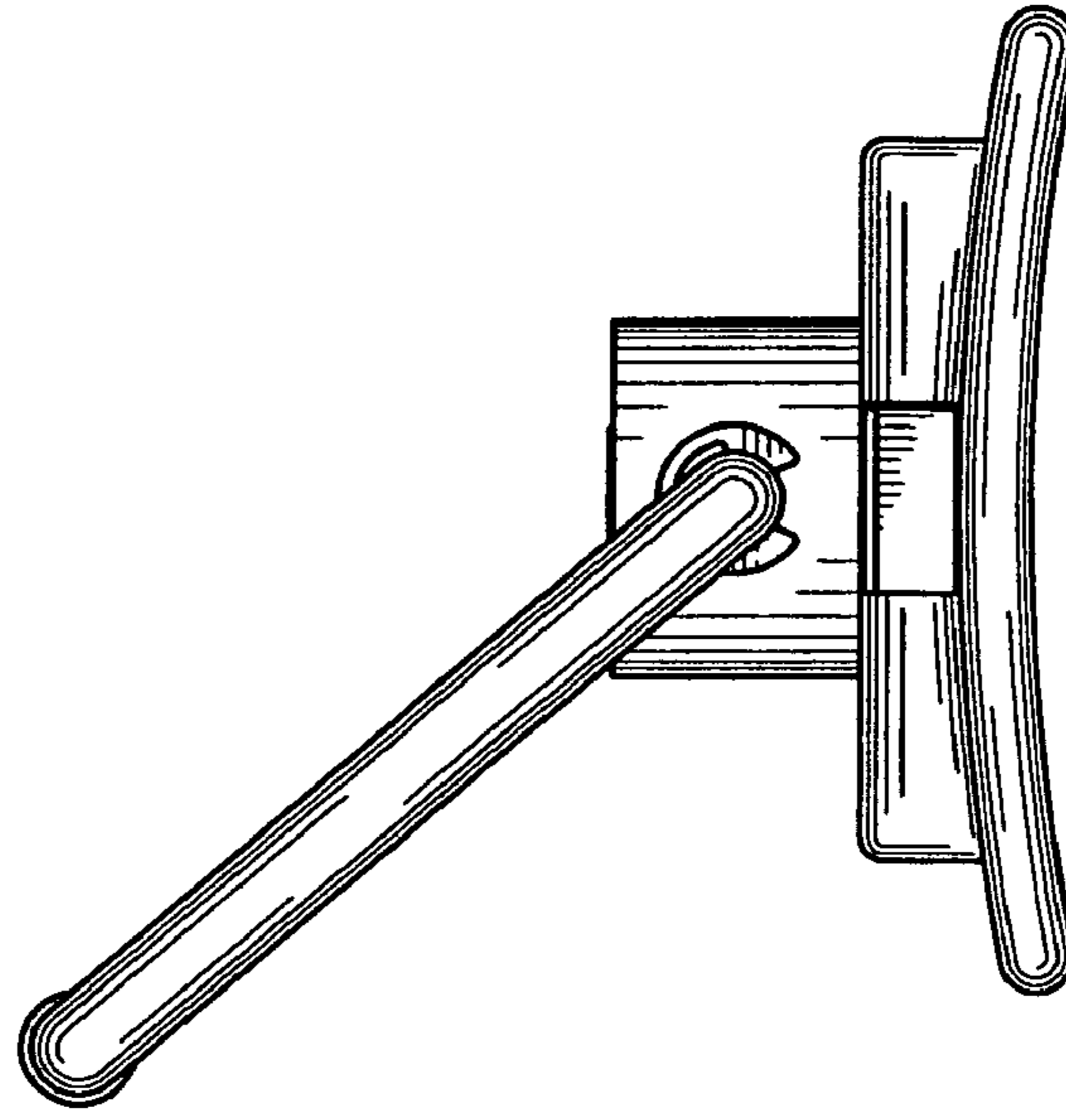
*Fig. 4*



*Fig. 6*



*Fig. 7*



*Fig. 8*