



US00D565396S

(12) **United States Design Patent** (10) **Patent No.:** **US D565,396 S**  
**Wipf** (45) **Date of Patent:** **\*\* Apr. 1, 2008**

(54) **NAIL GUN HOLDER**

(76) **Inventor:** **Nathan W. Wipf**, 4004 25th Ave.,  
Evans, CO (US) 80620

(\*\*) **Term:** **14 Years**

(21) **Appl. No.:** **29/246,689**

(22) **Filed:** **May 3, 2006**

(51) **LOC (8) Cl.** ..... **08-05**

(52) **U.S. Cl.** ..... **D8/367**

(58) **Field of Classification Search** ..... D8/365,  
D8/366, 367, 368, 369, 370, 373; 248/200,  
248/205.1, 220.21, 220.31, 220.41, 302,  
248/303, 304; 224/250, 268, 660, 673, 680,  
224/681; D3/215, 218, 315; D6/328, 323;  
294/137; 242/588.1; 24/10 A; 2/312; 206/289,  
206/315.5; 171/116

See application file for complete search history.

(56) **References Cited**

**U.S. PATENT DOCUMENTS**

44,288	A *	9/1864	Reynolds	.....	171/116
3,599,847	A *	8/1971	Danielson	.....	224/673
D275,527	S *	9/1984	Gee	.....	D3/215
4,619,020	A *	10/1986	Lecher, Sr.	.....	24/10 A
4,757,927	A *	7/1988	Rutty	.....	224/673
D320,152	S *	9/1991	Schreib	.....	D8/367
5,180,128	A *	1/1993	Massey	.....	248/220.41
5,673,830	A *	10/1997	Matthews	.....	224/268
D407,567	S *	4/1999	Barnett et al.	.....	D6/328
5,946,733	A *	9/1999	Spooner	.....	2/312
D422,888	S *	4/2000	Outten	.....	D8/367
6,102,201	A *	8/2000	Marston et al.	.....	206/315.1
6,216,978	B1 *	4/2001	Rodriguez	.....	242/588.1
D446,444	S *	8/2001	Sterling et al.	.....	D8/367
6,454,146	B2 *	9/2002	Alis	.....	224/250
D470,036	S *	2/2003	Rehmert et al.	.....	D8/367

D486,378	S *	2/2004	Filipiak	.....	D8/367
D489,246	S *	5/2004	Bolieu	.....	D8/367
2001/0050240	A1 *	12/2001	Reid	.....	206/315.5
2003/0042284	A1 *	3/2003	Reiserer	.....	224/660
2006/0086629	A1 *	4/2006	Cacioppo, Jr.	.....	206/289

\* cited by examiner

*Primary Examiner*—T. Chase Nelson  
*Assistant Examiner*—Barbara B Lohr  
(74) *Attorney, Agent, or Firm*—Rick Martin; Patent Law  
Offices of Rick Martin, P.C.

(57) **CLAIM**

The ornamental design for a nail gun holder, as shown and described.

**DESCRIPTION**

FIG. 1 is a front elevational view of my new design for a nail gun holder, the broken dash-dot lines showing the stitching in this and the FIGS. 3 and 6 views are for illustrative purpose only and form no part of the claimed design.

FIG. 2 is a left side elevational view of the nail gun holder shown in FIG. 1, wherein a right side elevational view (not shown) is a mirror image thereof.

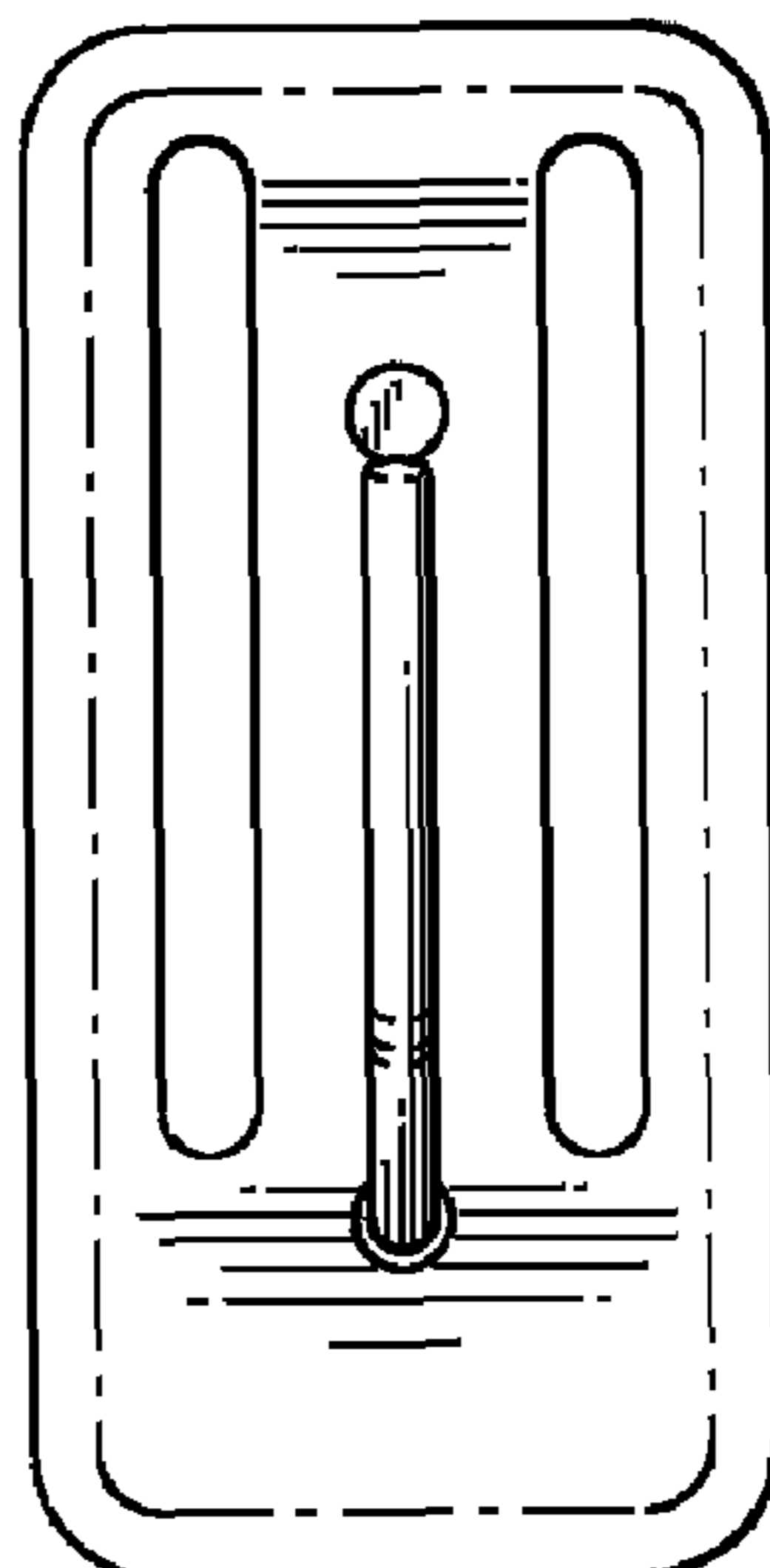
FIG. 3 is a back elevational view of the nail gun holder shown in FIG. 1.

FIG. 4 is a top plan view of the nail gun holder shown in FIG. 1.

FIG. 5 is a bottom plan view of the nail gun holder shown in FIG. 1; and,

FIG. 6 is a front perspective view of the nail gun holder shown in FIG. 1, the broken line outline of a nail gun is for illustrative purpose only and forms no part of the claimed design.

**1 Claim, 1 Drawing Sheet**



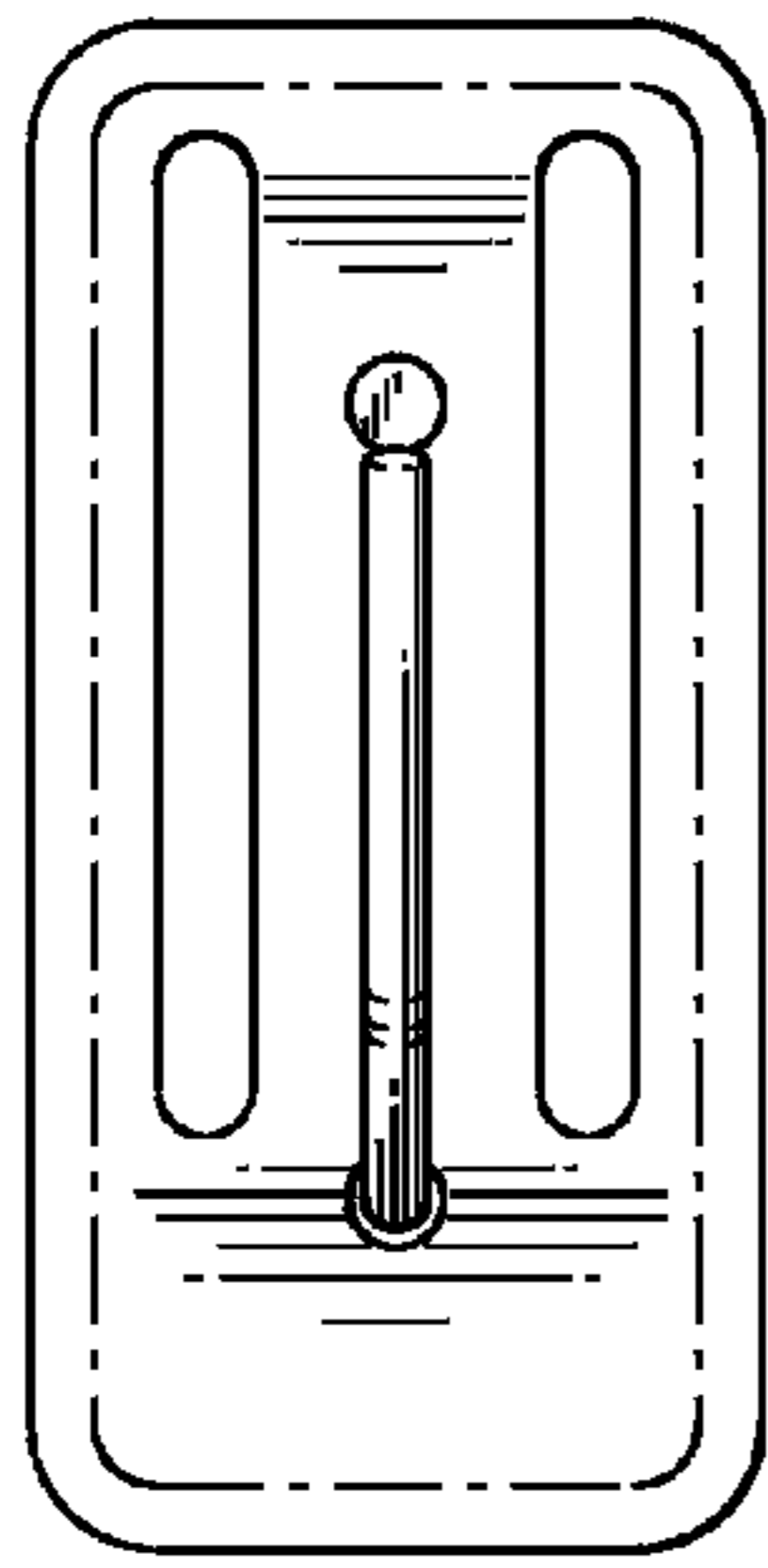


FIG. 1

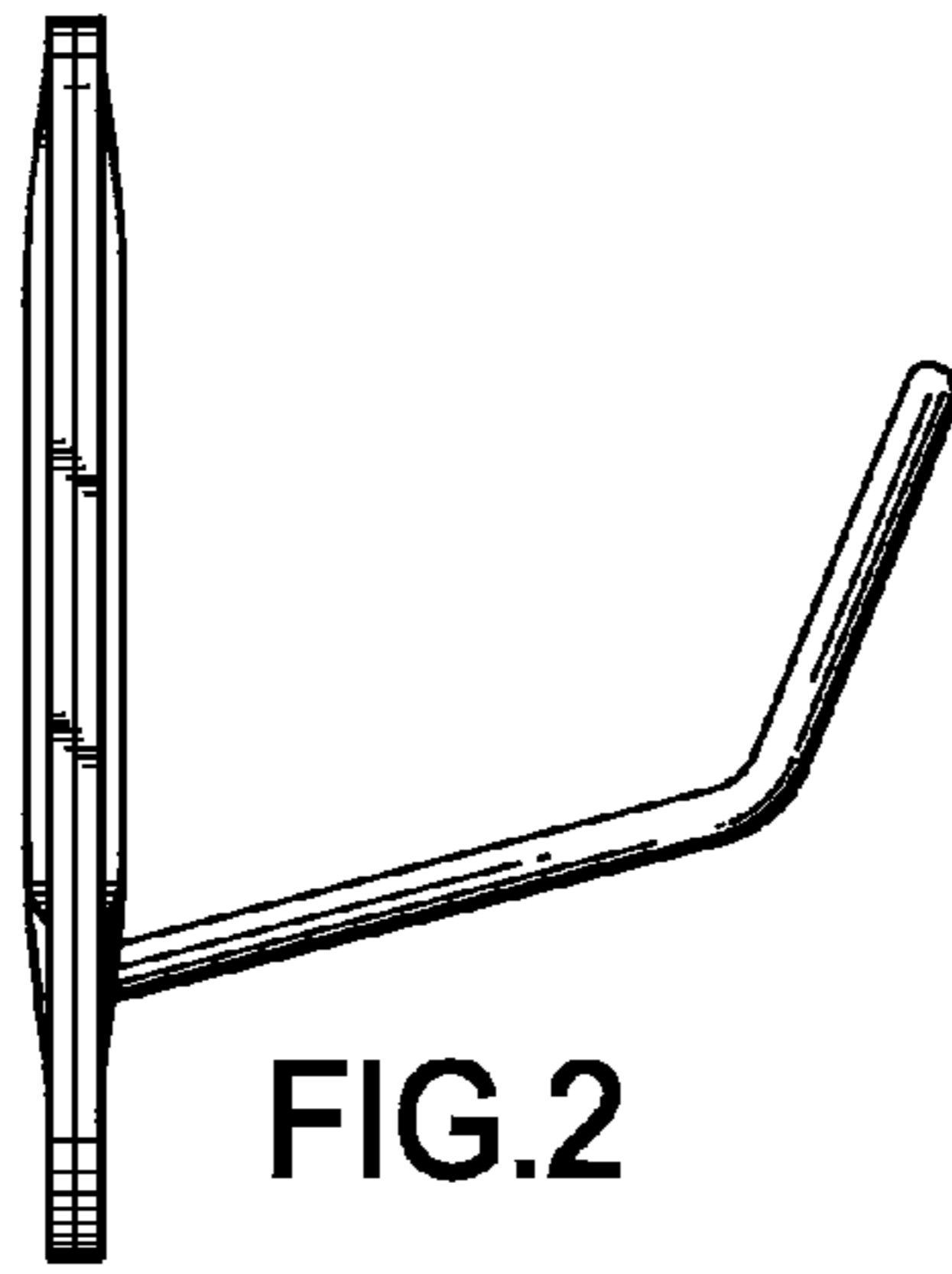


FIG. 2

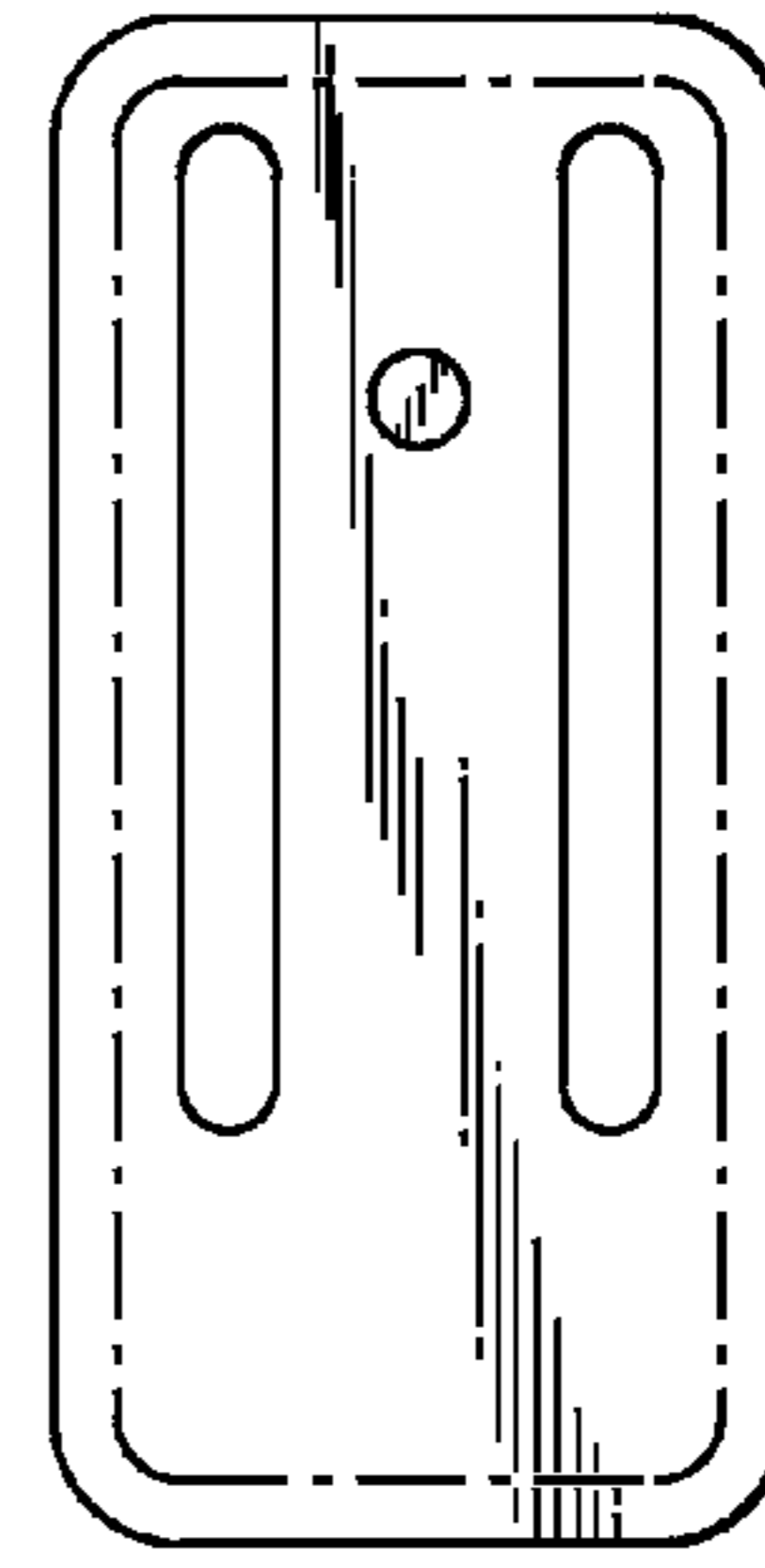


FIG. 3

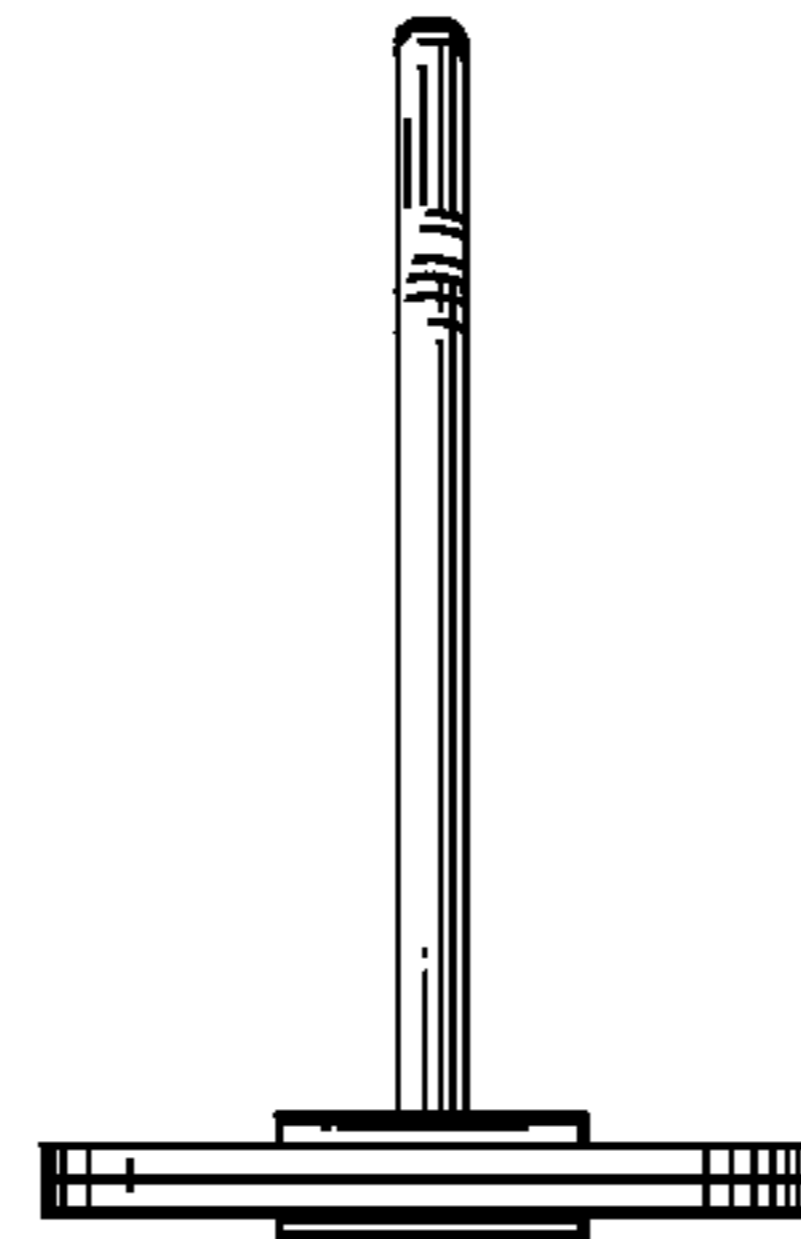


FIG. 5

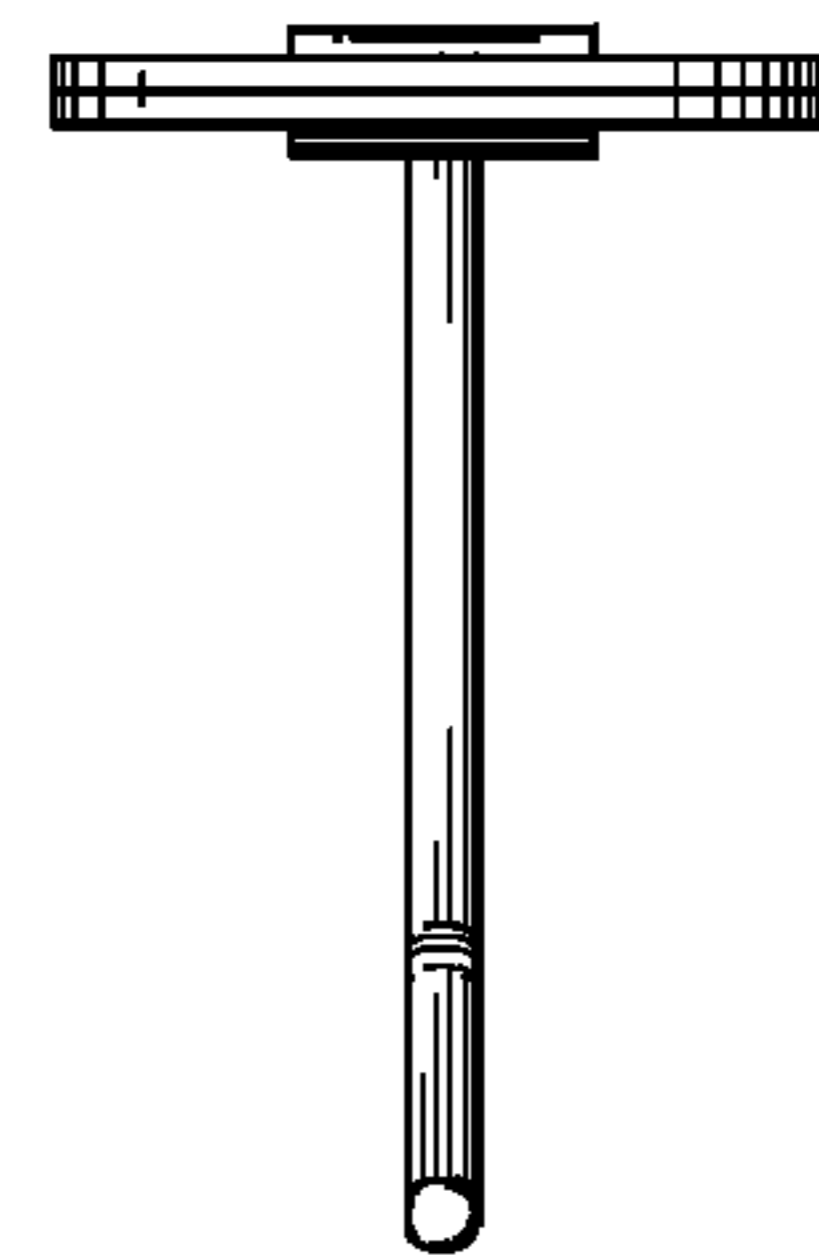


FIG. 4

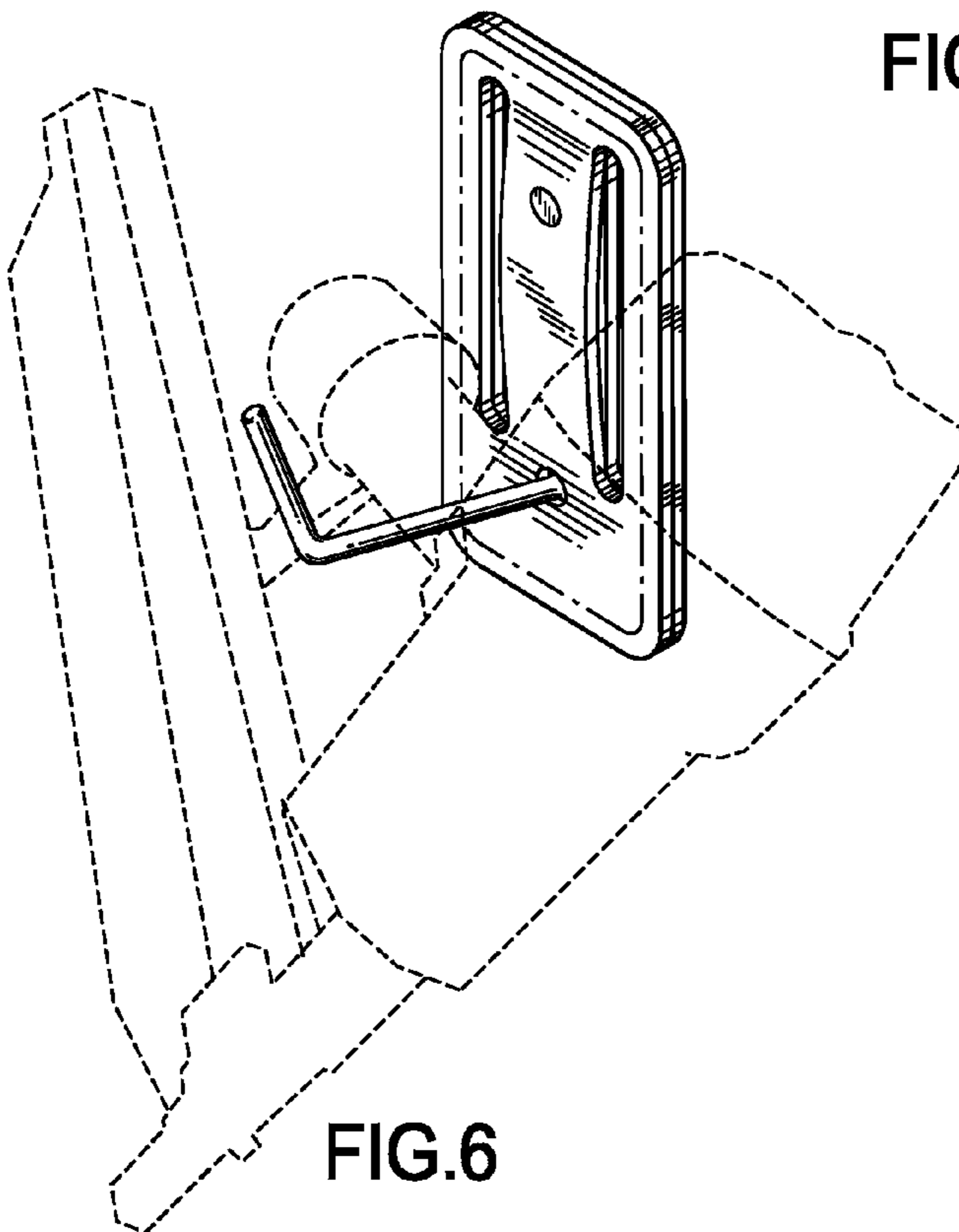


FIG. 6