



US00D565395S

(12) **United States Design Patent**  
**Moore et al.**

(10) **Patent No.:** **US D565,395 S**

(45) **Date of Patent:** **\*\* Apr. 1, 2008**

(54) **SHOWER ROD BRACKET**

(75) Inventors: **Sean A. Moore**, Houston, TX (US);  
**Patrick Gwen**, Houston, TX (US)

(73) Assignee: **Shower Solutions, LLC**, Vernon Hills,  
IL (US)

(\*\*) Term: **14 Years**

(21) Appl. No.: **29/295,996**

(22) Filed: **Oct. 11, 2007**

**Related U.S. Application Data**

(63) Continuation of application No. 29/248,598, filed on  
Aug. 23, 2006, now Pat. No. Des. 557,590.

(51) **LOC (8) Cl.** ..... **08-05**

(52) **U.S. Cl.** ..... **D8/363; D8/354**

(58) **Field of Classification Search** ..... **D8/354,**  
**D8/349, 363; 248/309.1, 229.11; 211/105.4;**  
**4/610**

See application file for complete search history.

(56) **References Cited**

**U.S. PATENT DOCUMENTS**

839,959 A	1/1907	Richards
912,789 A	2/1909	Berbecker
2,650,714 A	9/1953	Brose et al.
2,890,799 A	6/1959	Rosenbaum
4,496,059 A	1/1985	Leiter
D318,968 S	8/1991	Poulson
D340,376 S	10/1993	Klose
D374,167 S	10/1996	Scholl
D393,390 S	4/1998	Gottwald
6,024,331 A	2/2000	Bischoff et al.

D426,142 S	6/2000	Moore	
6,263,523 B1	7/2001	Moore	
D466,351 S	12/2002	Tai	
D499,954 S	12/2004	Brushaber	
D552,455 S *	10/2007	Moore	..... D8/363

\* cited by examiner

*Primary Examiner*—Holly H. Baynham

(74) *Attorney, Agent, or Firm*—Michael Best & Friedrich  
LLP

(57) **CLAIM**

I claim the ornamental design for a shower rod bracket, as  
shown and described.

**DESCRIPTION**

FIG. 1 is a perspective view of a shower rod bracket  
embodying the present invention.

FIG. 2 is a front view of the shower rod bracket shown in  
FIG. 1.

FIG. 3 is a left side view of the shower rod bracket shown  
in FIG. 1.

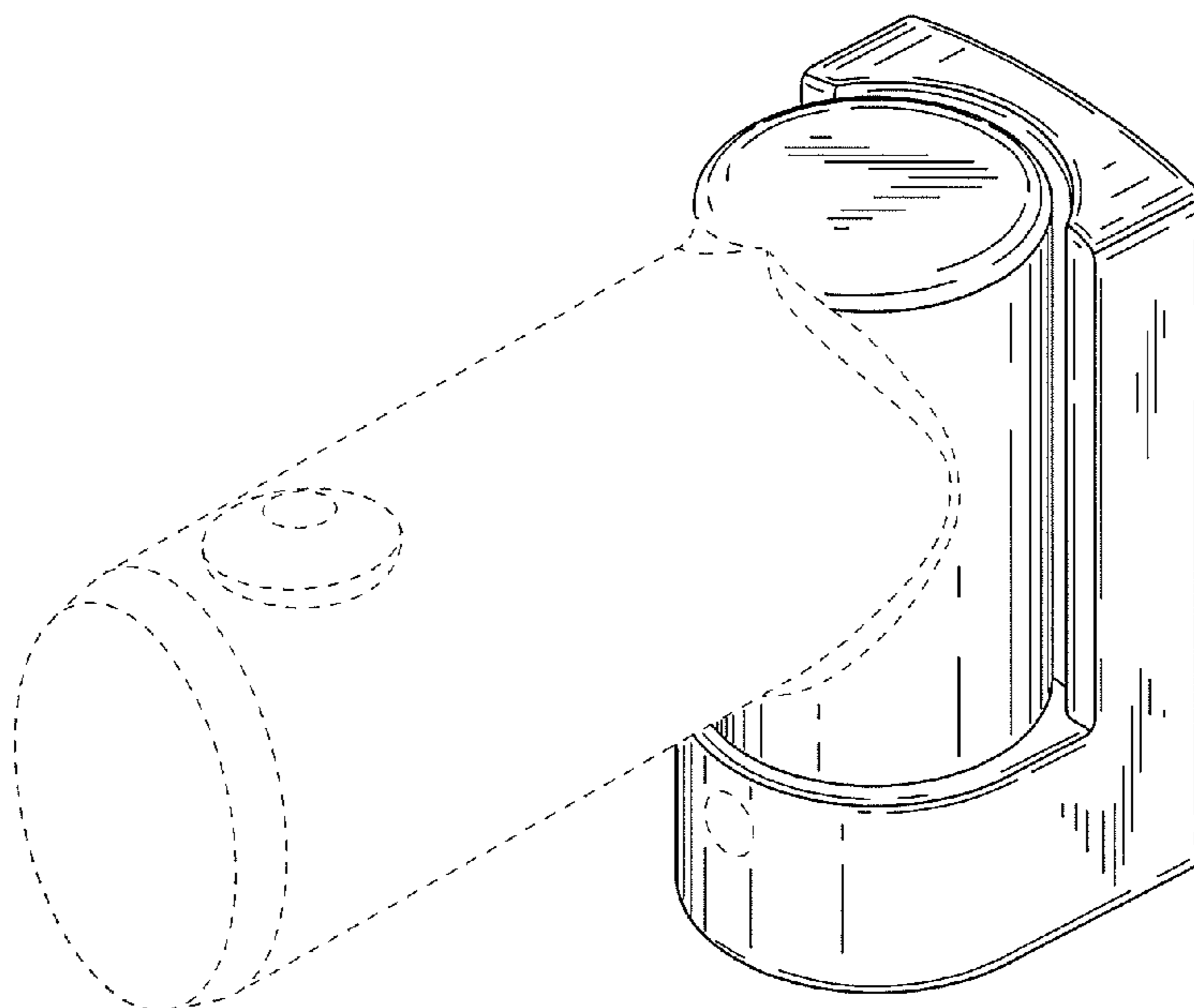
FIG. 4 is a right side view of the shower rod bracket shown  
in FIG. 1.

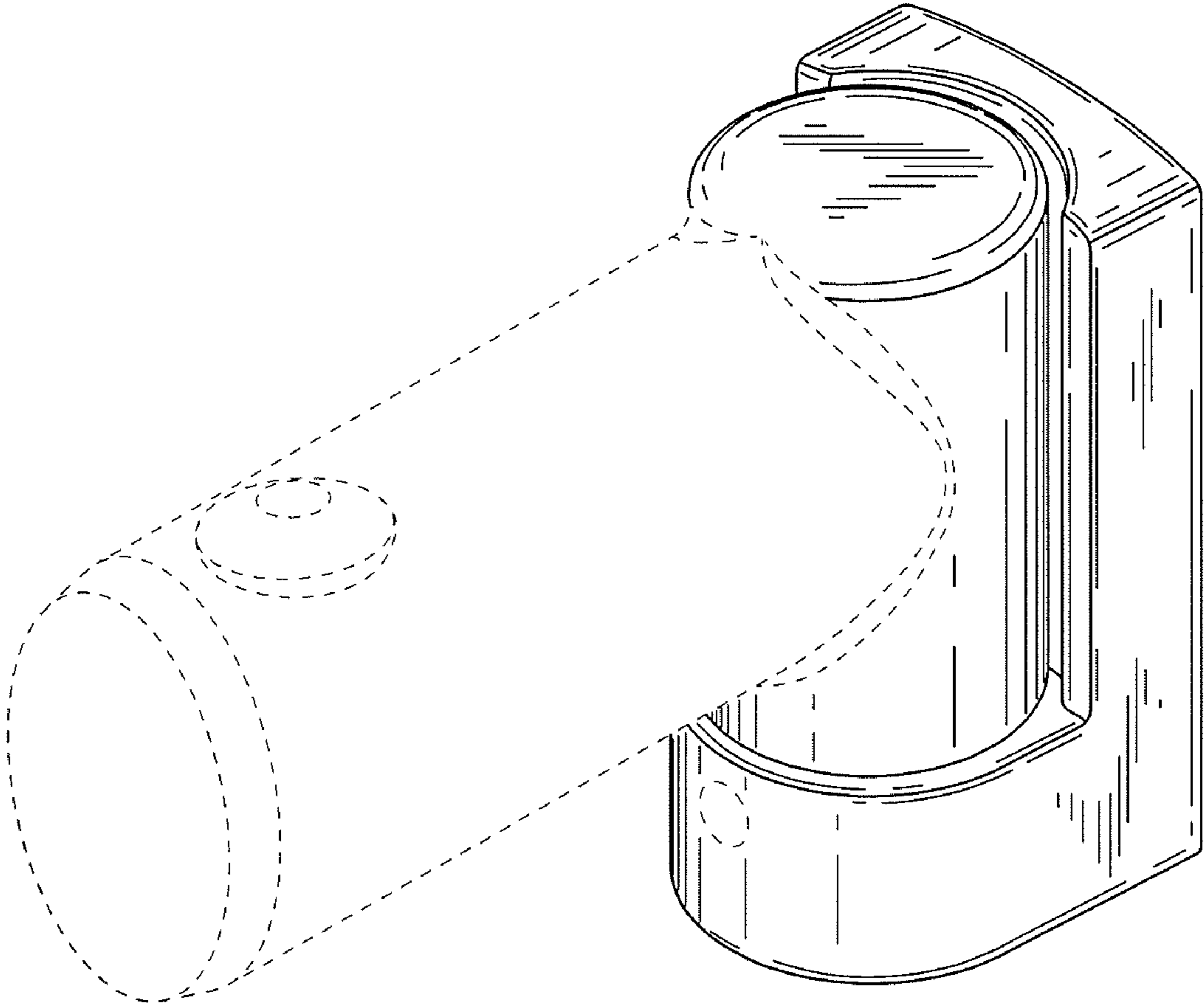
FIG. 5 is a top view of the shower rod bracket shown in FIG.  
1; and,

FIG. 6 is a bottom view of the shower rod bracket shown in  
FIG. 1.

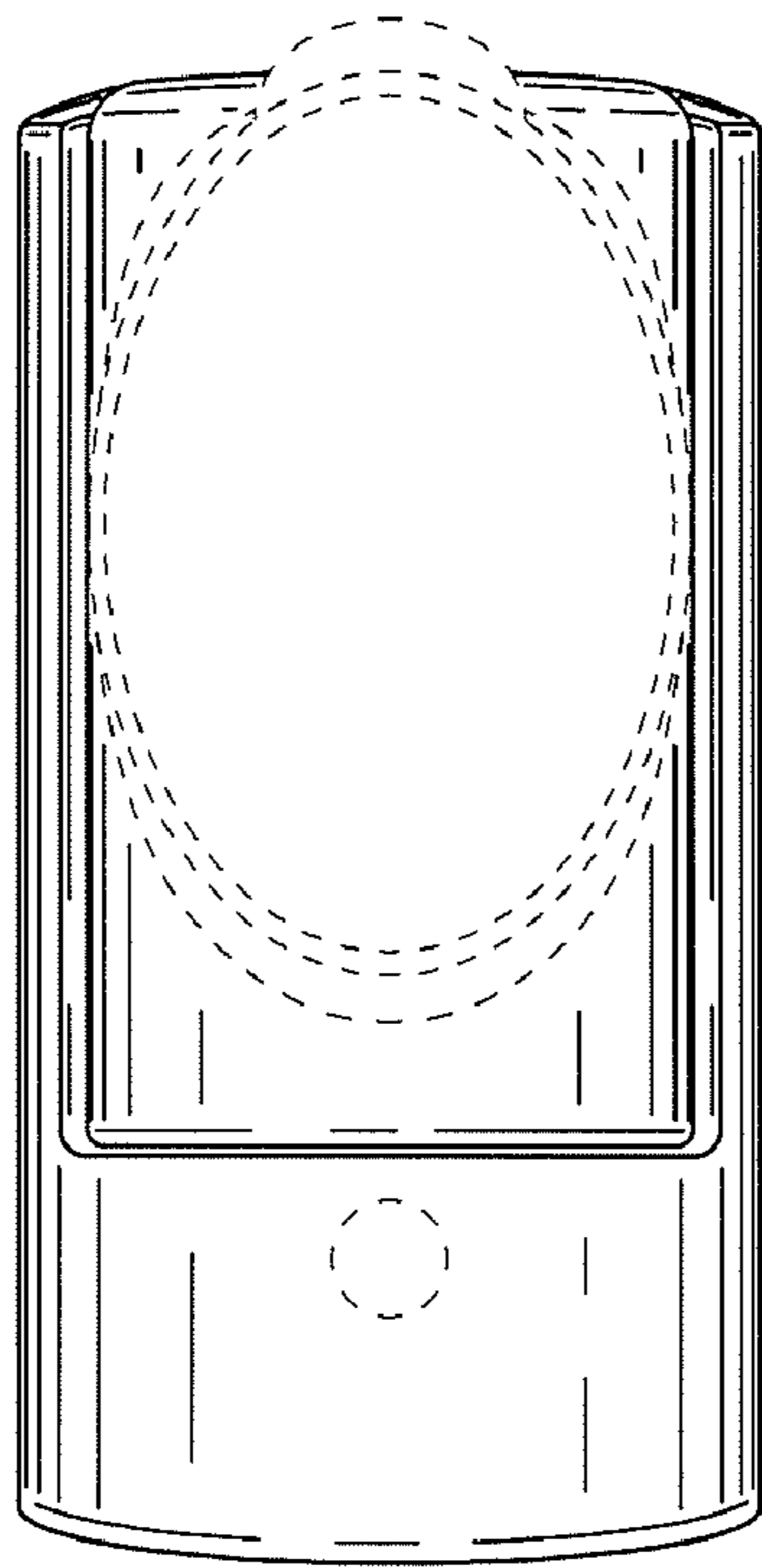
The broken lines immediately adjacent the shaded areas  
represent the bounds of the claim and all other broken lines  
are for illustrative purposes only. None of the broken lines  
form part of the claimed design.

**1 Claim, 3 Drawing Sheets**

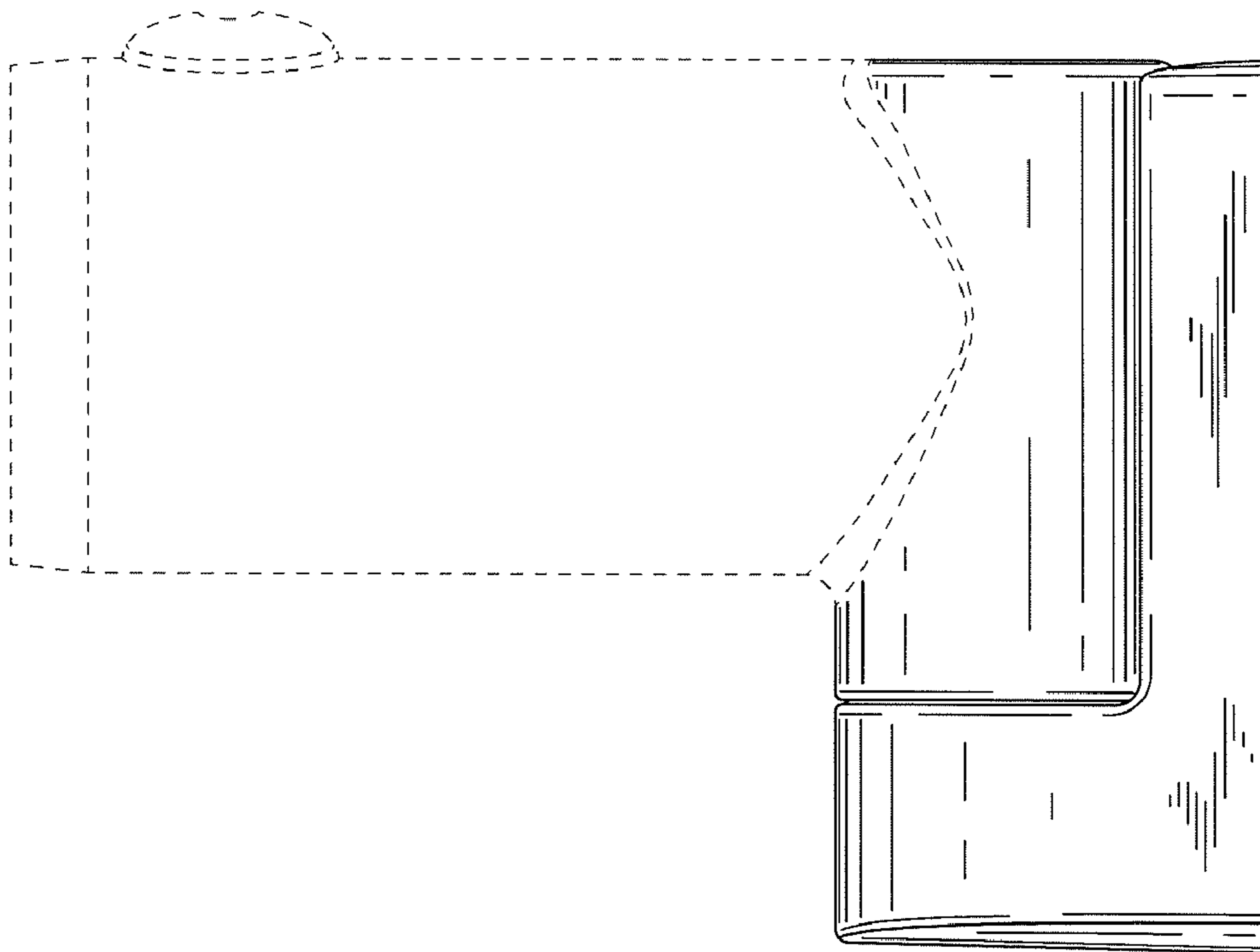




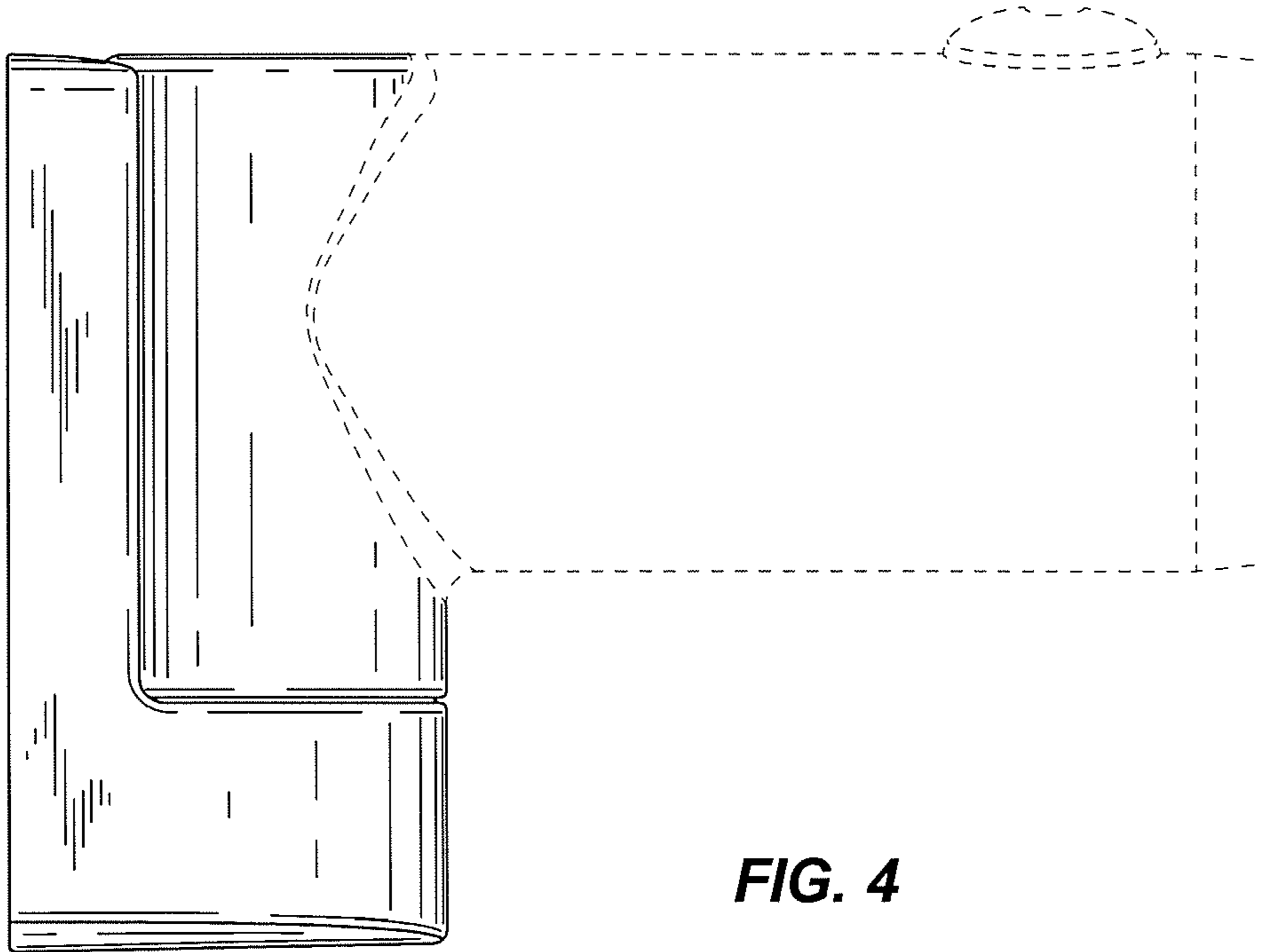
**FIG. 1**



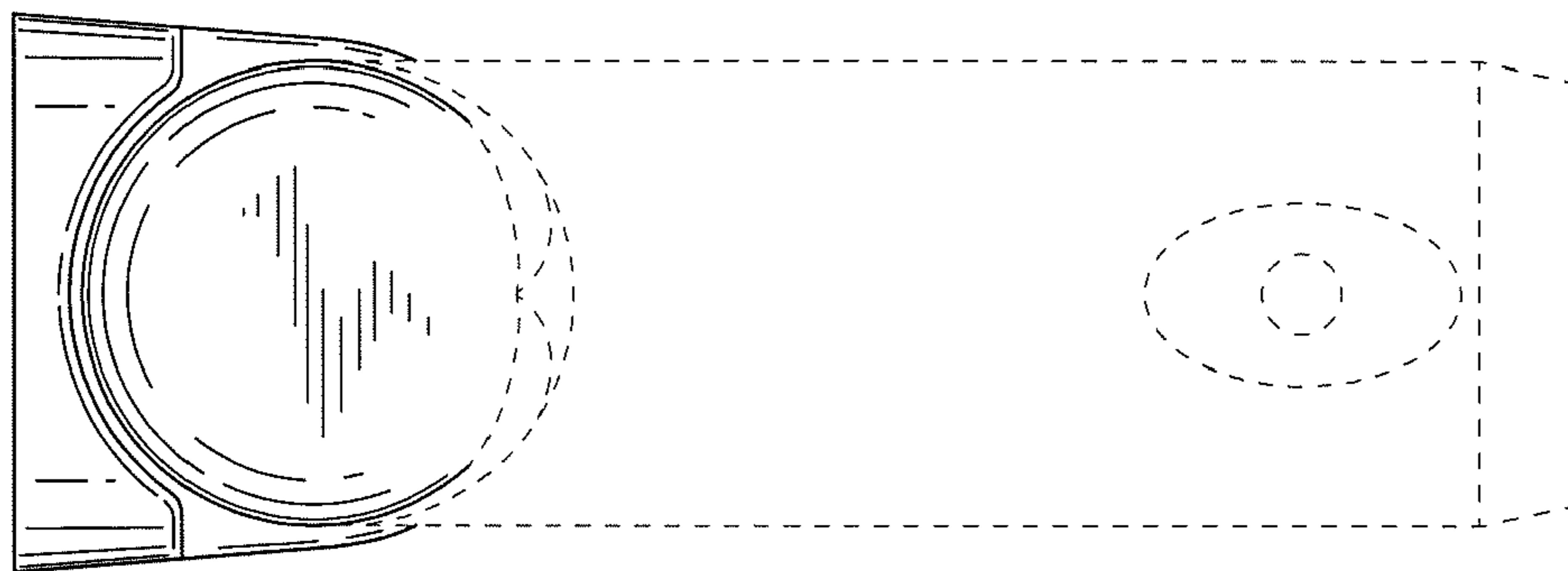
**FIG. 2**



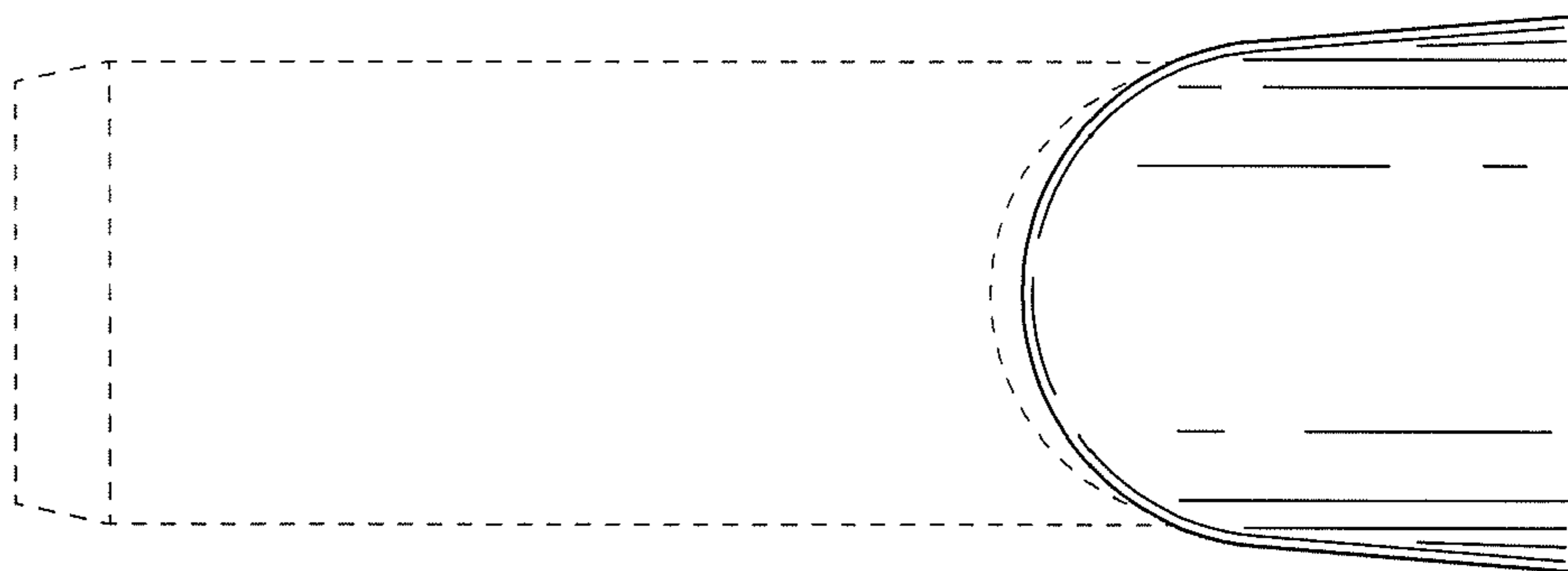
**FIG. 3**



**FIG. 4**



**FIG. 5**



**FIG. 6**