

US00D565394S

(12) **United States Design Patent**
Eskew et al.

(10) **Patent No.:** **US D565,394 S**
(45) **Date of Patent:** **** Apr. 1, 2008**

(54) **RETRACTABLE CORD HOUSING**

D496,253 S 9/2004 Kovacik et al.

* cited by examiner

(75) Inventors: **Brent Eskew**, Indianapolis, IN (US);
Matthew Haws, Noblesville, IN (US);
Robert A. Lemen, Indianapolis, IN
(US)

Primary Examiner—Gary D. Watson
Assistant Examiner—Susan Bennett Hattan

(73) Assignee: **Stage Ninja LLC**, Indianapolis, IN
(US)

(74) *Attorney, Agent, or Firm*—Woodard, Emhardt,
Moriarty, McNett & Henry LLP

(**) Term: **14 Years**

(57) **CLAIM**

(21) Appl. No.: **29/276,265**

The ornamental design for a retractable cord housing, as shown and described.

(22) Filed: **Jan. 19, 2007**

DESCRIPTION

(51) **LOC (8) Cl.** **08-05**

FIG. 1 is a perspective view of a retractable cord housing showing our new design with rubberized texturing on the handle shown in broken lines;

(52) **U.S. Cl.** **D8/358**

FIG. 2 is a top plan view thereof;

(58) **Field of Classification Search** D8/360.1,
D8/359, 358, 356; D30/160; D19/69, 67;
D13/154, 137.4; D10/72; 379/438; 242/916,
242/601, 570, 405, 404, 371, 223, 170; 191/12.4,
191/12.2 R; 446/26

FIG. 3 is a side elevational view looking from the bottom of FIG. 2;

See application file for complete search history.

FIG. 4 is a side elevational view looking from the right side of FIG. 2;

(56) **References Cited**

FIG. 5 is a side elevational view looking from the left side of FIG. 2;

U.S. PATENT DOCUMENTS

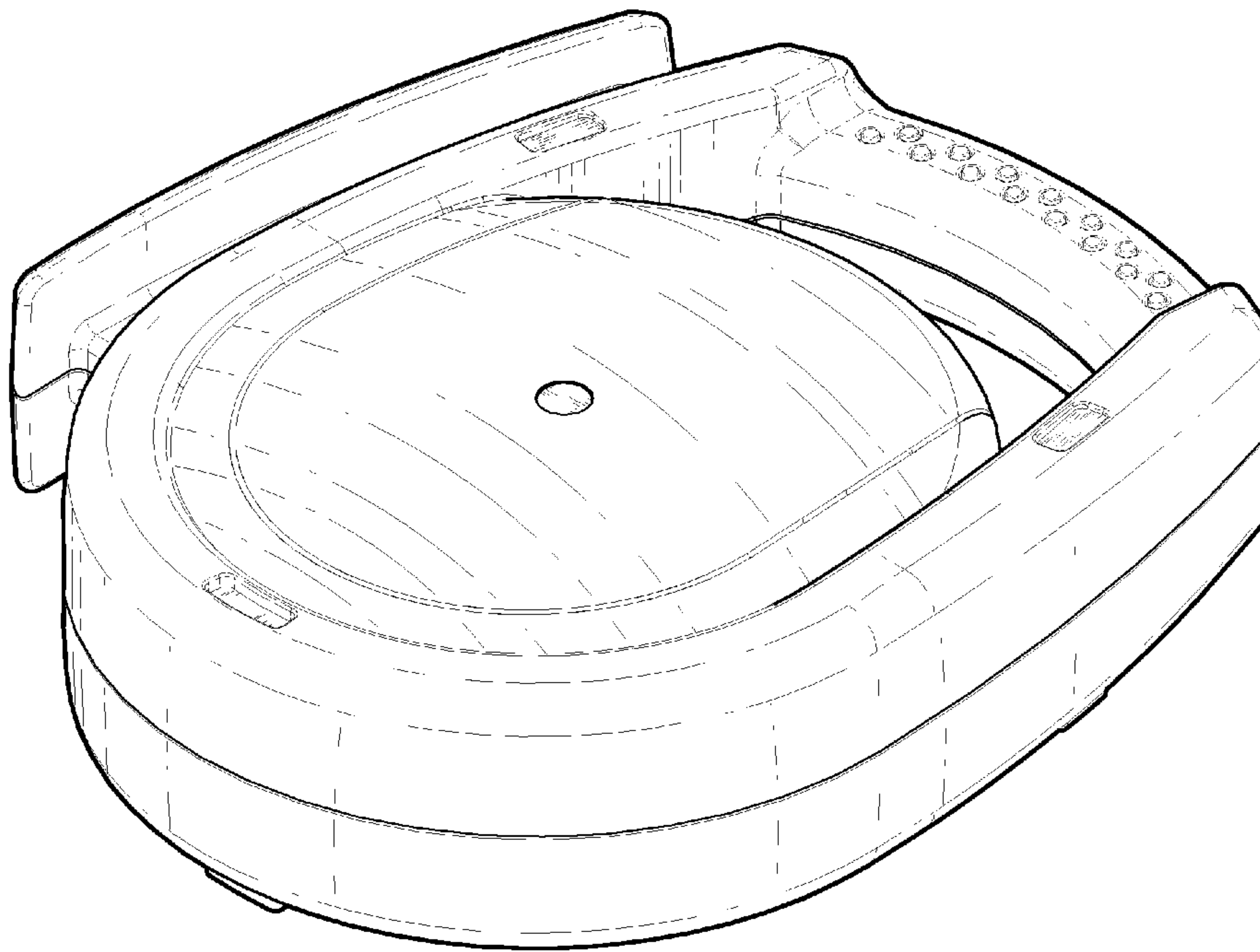
FIG. 6 is a side elevational view looking from the top of FIG. 2; and,

D186,898 S	12/1959	Uebelhoer	
D286,134 S	10/1986	Schwartz	
4,685,634 A	8/1987	Schwartz	
5,423,494 A *	6/1995	Kondo	242/381.5
D419,426 S *	1/2000	Kovacik et al.	D8/358
6,273,354 B1 *	8/2001	Kovacik et al.	242/404
D458,113 S	6/2002	Yang	
D458,114 S *	6/2002	Stekelenburg	D8/358
D468,189 S	1/2003	Kovacik et al.	

FIG. 7 is a bottom plan view of the FIG. 1 housing with cord lengths extending from the housing added and shown in broken lines.

The elements shown in broken lines in FIGS. 1, 2 and 7 are illustrating environment only and form no part of the claimed design.

1 Claim, 4 Drawing Sheets



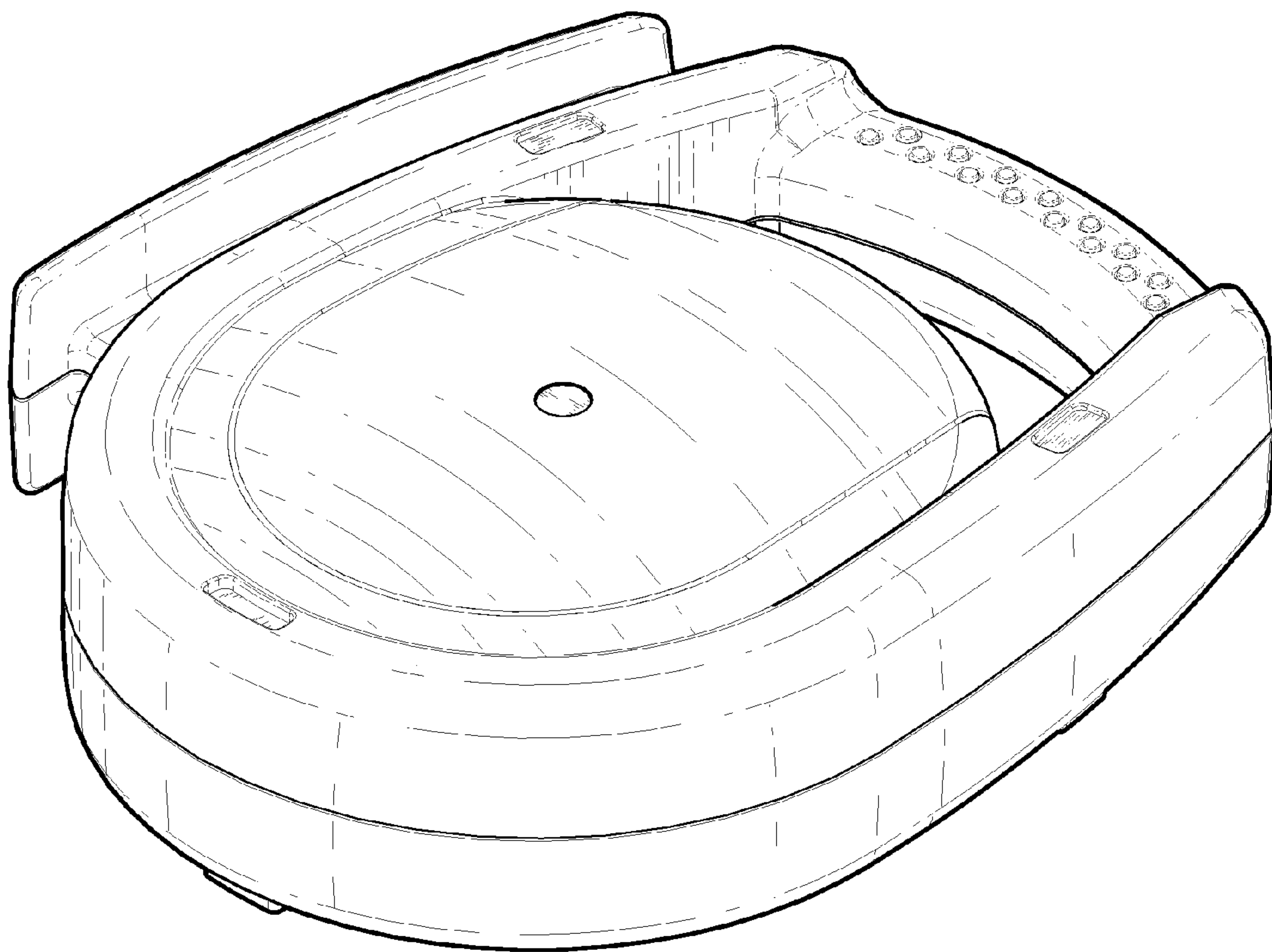


Fig. 1

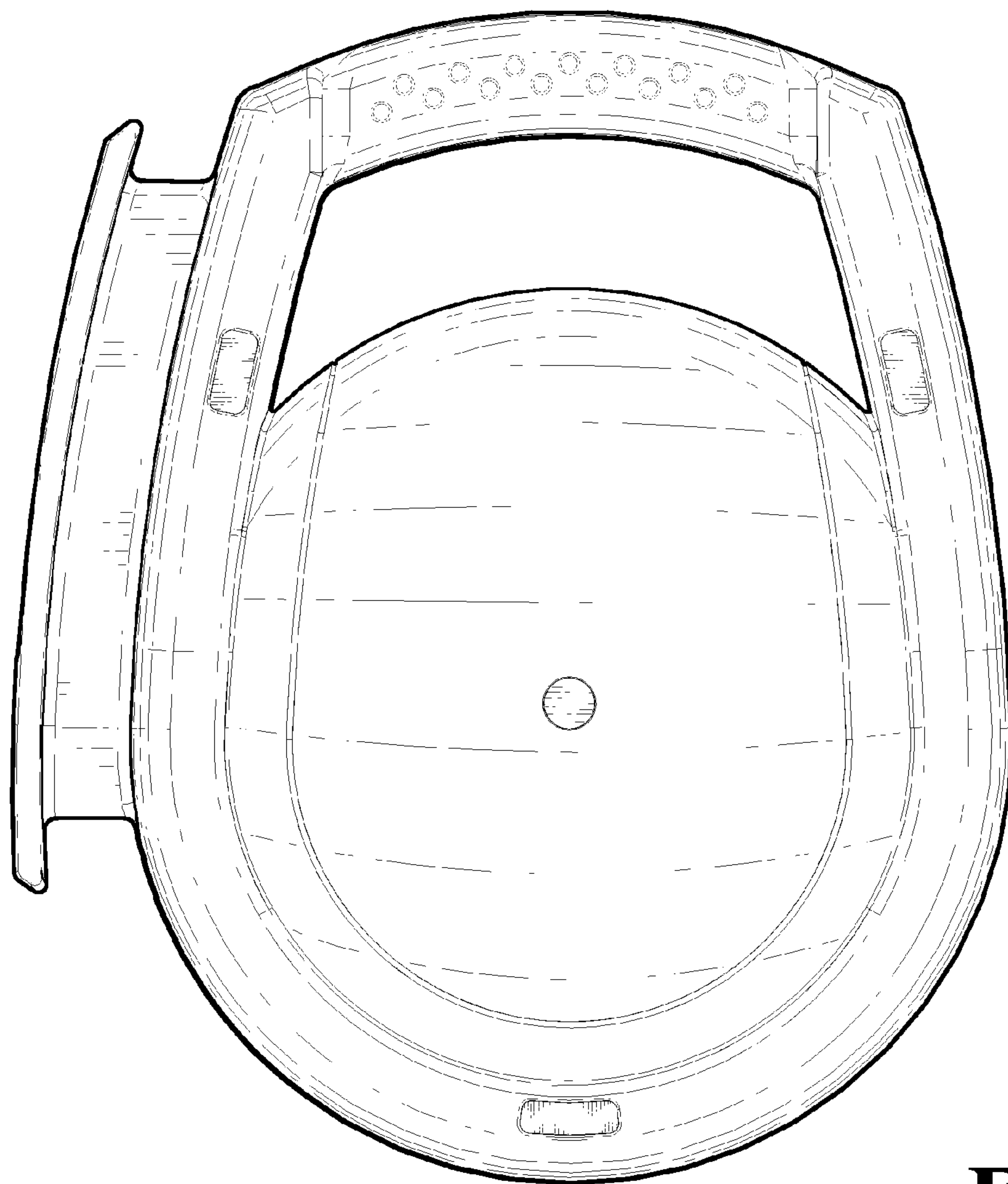


Fig. 2

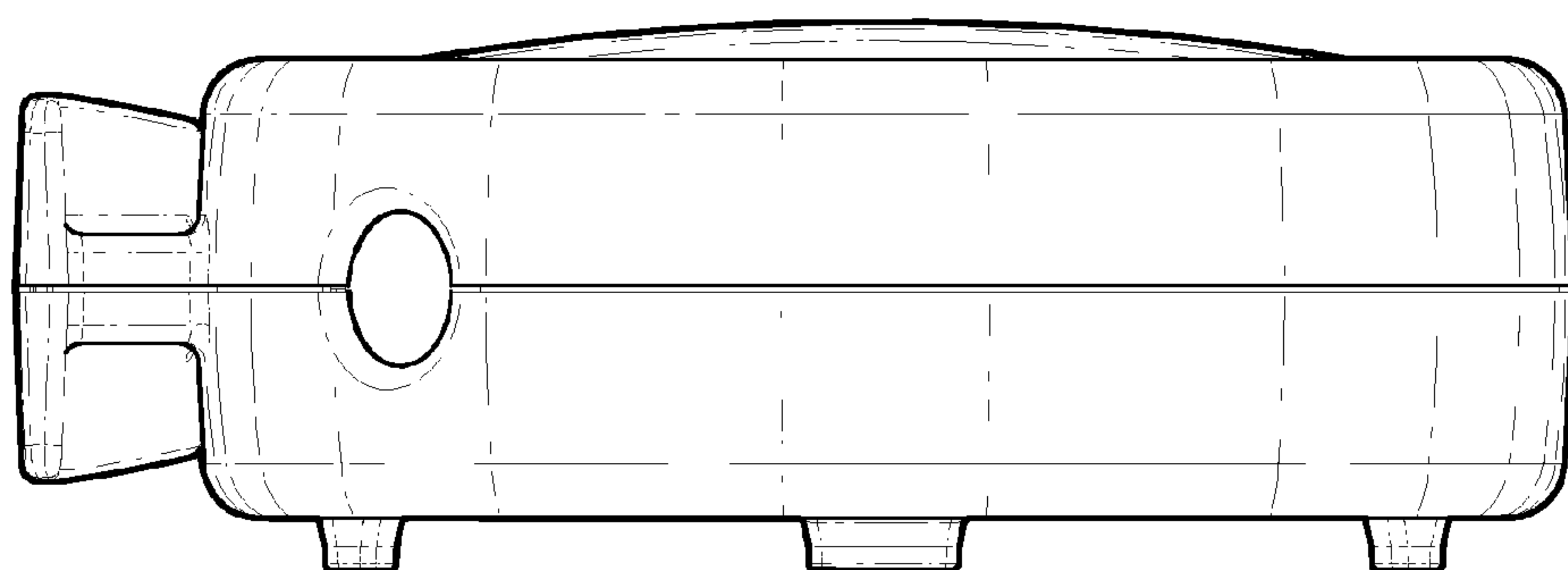


Fig. 3

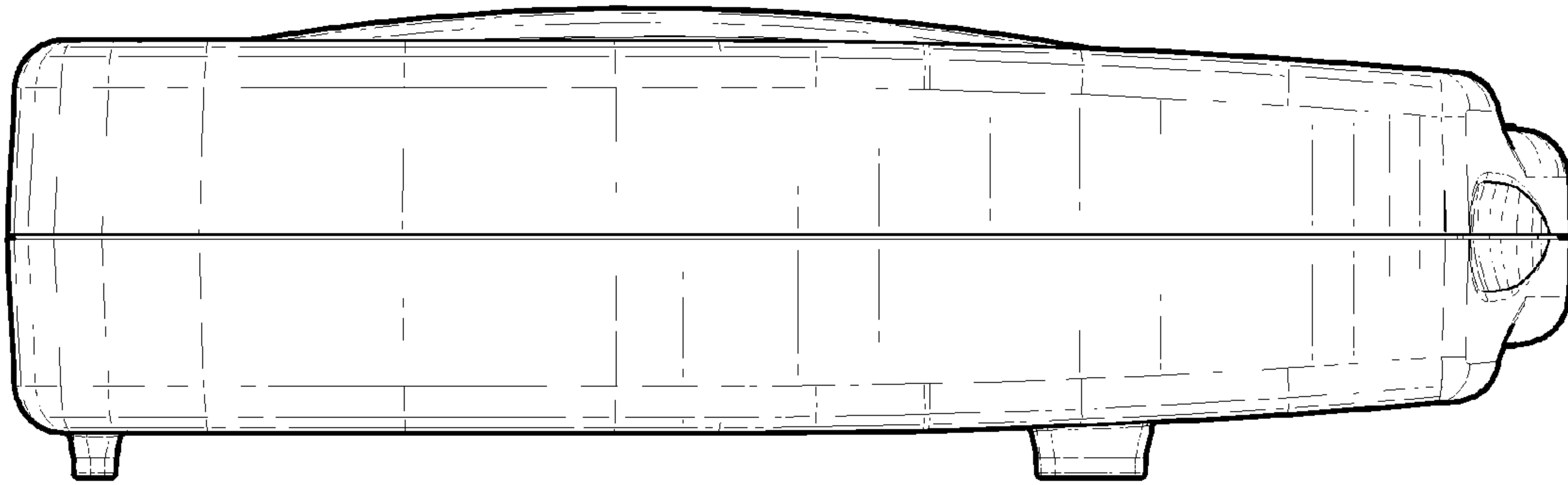


Fig. 4

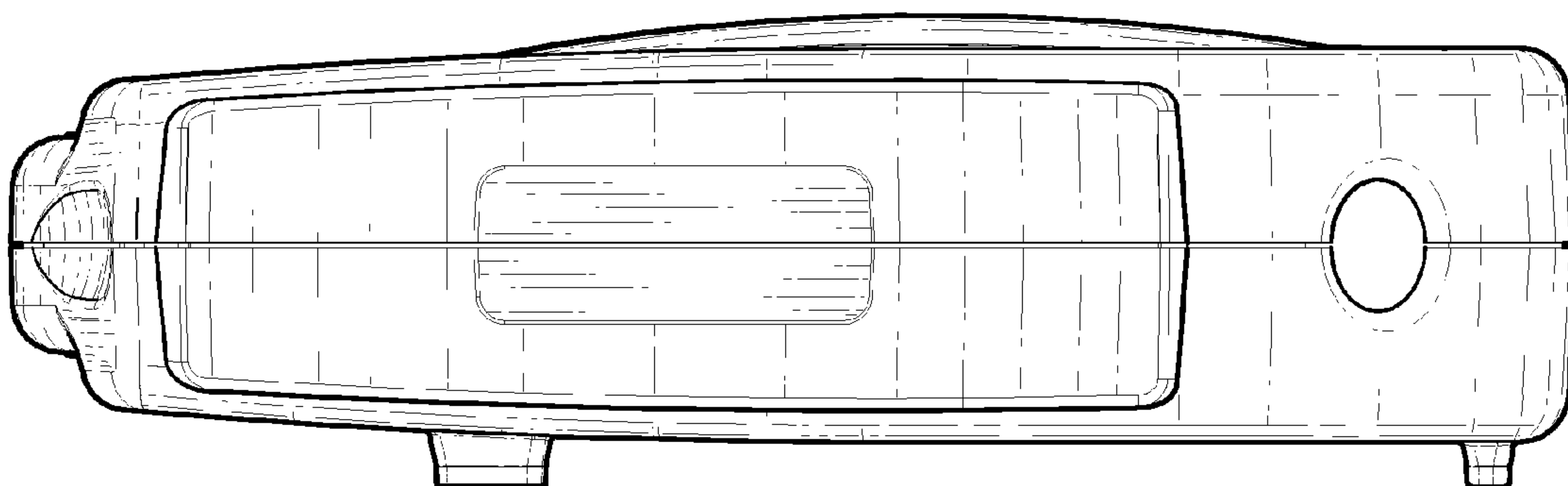


Fig. 5

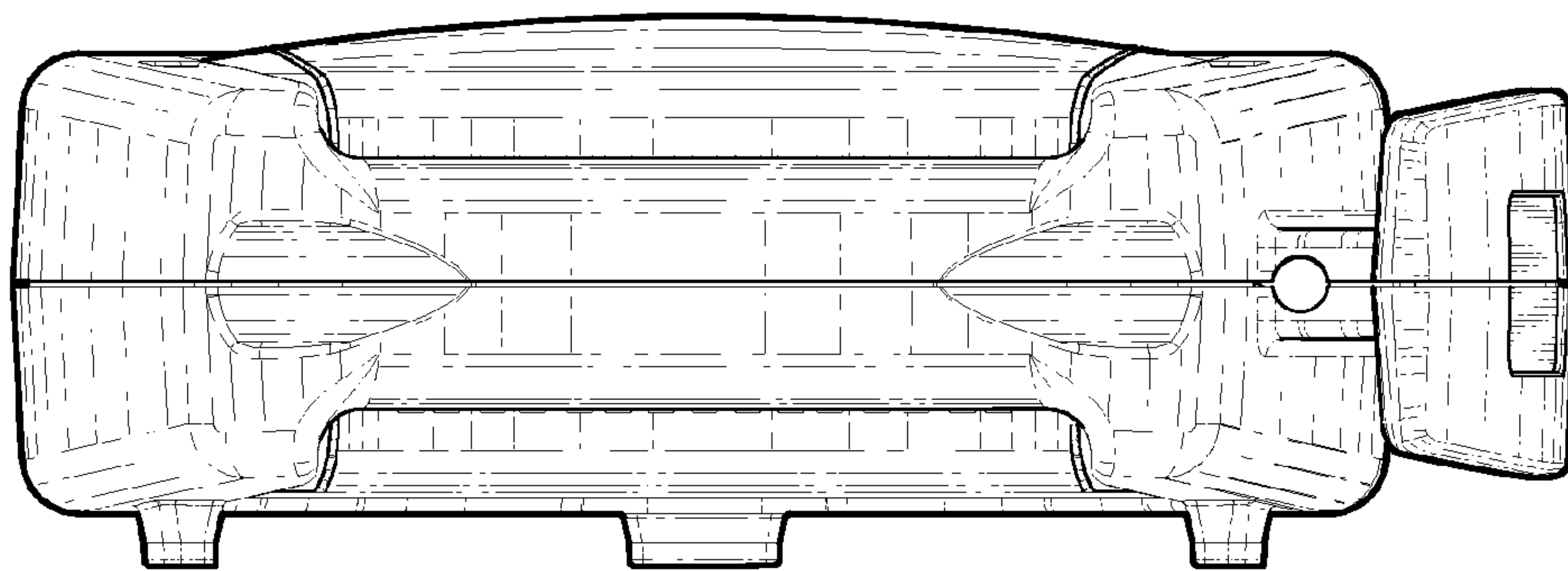


Fig. 6

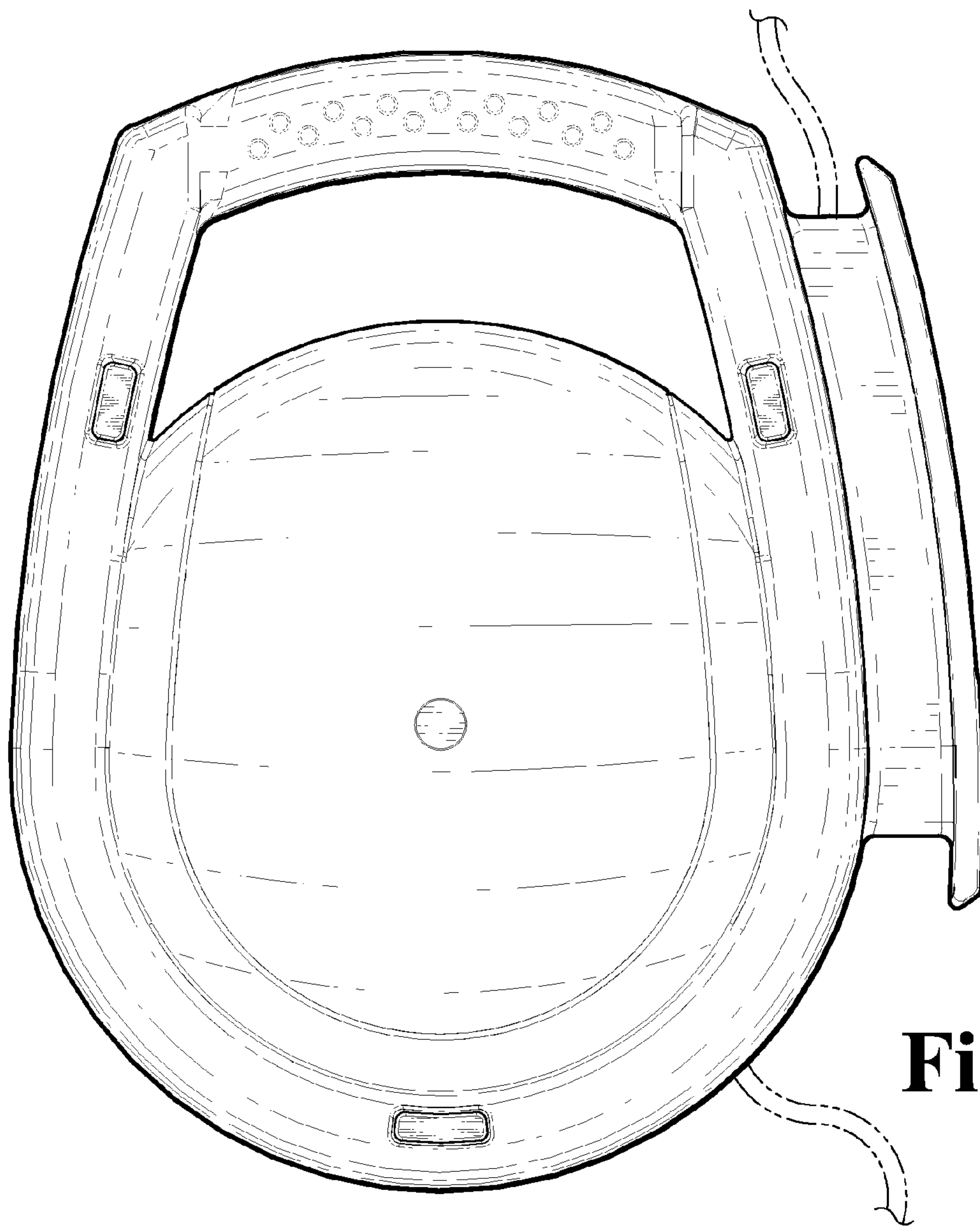


Fig. 7