



US00D565389S

(12) **United States Design Patent**  
**Harmon**

(10) **Patent No.:** **US D565,389 S**

(45) **Date of Patent:** **\*\* Apr. 1, 2008**

(54) **CABLE SUPPORT**

(75) Inventor: **Daniel J. Harmon**, 301 E. Le Marche,  
Phoenix, AZ (US) 85022

(73) Assignee: **Daniel J. Harmon**, Phoenix, AZ (US)

(\*\*) Term: **14 Years**

(21) Appl. No.: **29/214,726**

(22) Filed: **Oct. 7, 2004**

(51) **LOC (8) Cl.** ..... **08-05**

(52) **U.S. Cl.** ..... **D8/356**

(58) **Field of Classification Search** ..... D8/105,  
D8/107, 333, 349, 354, 356, 358, 367, 373,  
D8/382, 383, 394-396; D23/261; D26/38;  
24/197, 561; 174/153 G; 242/400.1, 405.1,  
242/405.2, 600, 916; 248/65, 74.1-74.4,  
248/214, 215, 229.26, 201, 302, 204, 316.7,  
248/316.8; 439/501; D34/38; 108/57.25

See application file for complete search history.

(56) **References Cited**

**U.S. PATENT DOCUMENTS**

|           |      |         |               |         |
|-----------|------|---------|---------------|---------|
| 1,058,908 | A *  | 4/1913  | Schoenthaler  | 52/687  |
| D247,216  | S    | 2/1978  | Mathews       |         |
| D254,534  | S *  | 3/1980  | Glynn et al.  | D8/356  |
| 4,253,260 | A *  | 3/1981  | Maza et al.   | 40/610  |
| 4,953,340 | A *  | 9/1990  | Anderson      | 52/684  |
| 5,046,885 | A *  | 9/1991  | Thurston      | 404/10  |
| D326,404  | S    | 5/1992  | Spell         |         |
| D331,006  | S    | 11/1992 | Dziedzic      |         |
| D332,738  | S *  | 1/1993  | Bloom         | D8/380  |
| D349,041  | S *  | 7/1994  | Wical         | D8/373  |
| D395,816  | S    | 7/1998  | Colodny       |         |
| 5,819,493 | A *  | 10/1998 | LeMoignan     | 52/678  |
| D407,963  | S    | 4/1999  | Gretz         |         |
| D408,726  | S *  | 4/1999  | Vallee        | D8/380  |
| D409,895  | S *  | 5/1999  | Schron et al. | D8/349  |
| D409,896  | S    | 5/1999  | Kaplan        |         |
| D437,282  | S *  | 2/2001  | Joll          | D12/223 |
| D448,650  | S *  | 10/2001 | Vrame         | D8/356  |
| 6,338,213 | B1 * | 1/2002  | Young et al.  | 40/610  |

|           |      |         |              |         |
|-----------|------|---------|--------------|---------|
| D464,309  | S *  | 10/2002 | McCoy et al. | D12/223 |
| D465,188  | S *  | 11/2002 | McCoy et al. | D12/223 |
| 6,644,604 | B1 * | 11/2003 | Young        | 248/96  |
| 6,648,281 | B1 * | 11/2003 | Lake         | 248/75  |

\* cited by examiner

*Primary Examiner*—T. Chase Nelson

*Assistant Examiner*—Karen Acker

(57) **CLAIM**

The ornamental design for a cable support, as shown and described.

**DESCRIPTION**

FIG. 1 is a perspective view of a cable support showing one embodiment of my new design;

FIG. 2 is a top view of the cable support shown in FIG. 1;

FIG. 3 is a front view of the cable support shown in FIG. 1, a back view of the cable support being identical to the front view;

FIG. 4 is a bottom view of the cable support shown in FIG. 1;

FIG. 5 is a side view taken from the right in FIG. 3, a side view taken from the left in FIG. 3 being identical thereto;

FIG. 6 is a perspective view of a cable support showing another embodiment of my new design;

FIG. 7 is a top view of the cable support shown in FIG. 6;

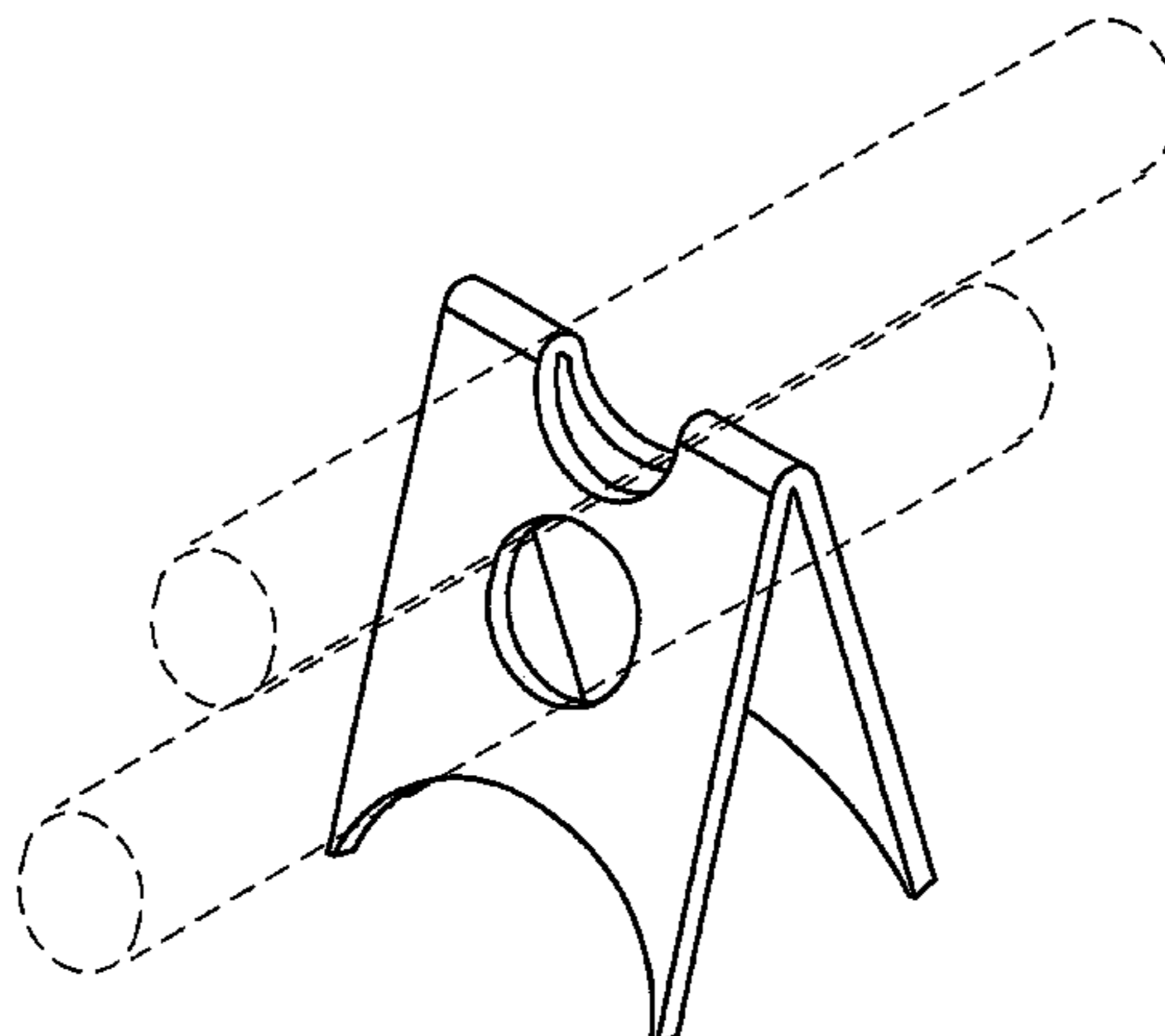
FIG. 8 is a front view of the cable support shown in FIG. 6, a back view of the cable support being identical to the front view;

FIG. 9 is a bottom view of the cable support shown in FIG. 6; and,

FIG. 10 is a side view taken from the right in FIG. 8, a side view taken from the left in FIG. 8 being identical thereto.

The broken line showing of cables in FIGS. 1 and 6 is for illustrative purposes only and forms no part of the claimed design.

**1 Claim, 4 Drawing Sheets**



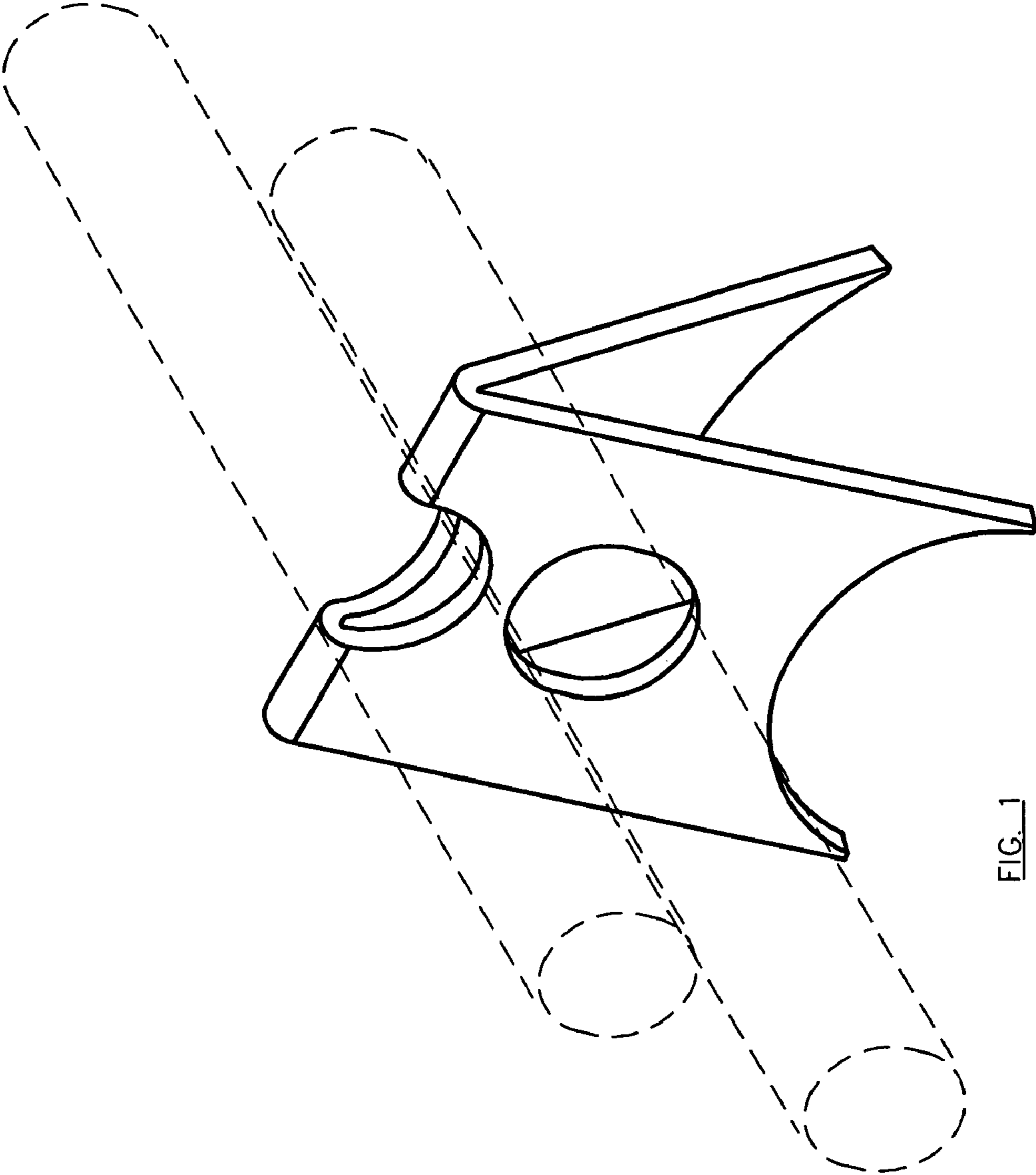


FIG. 1

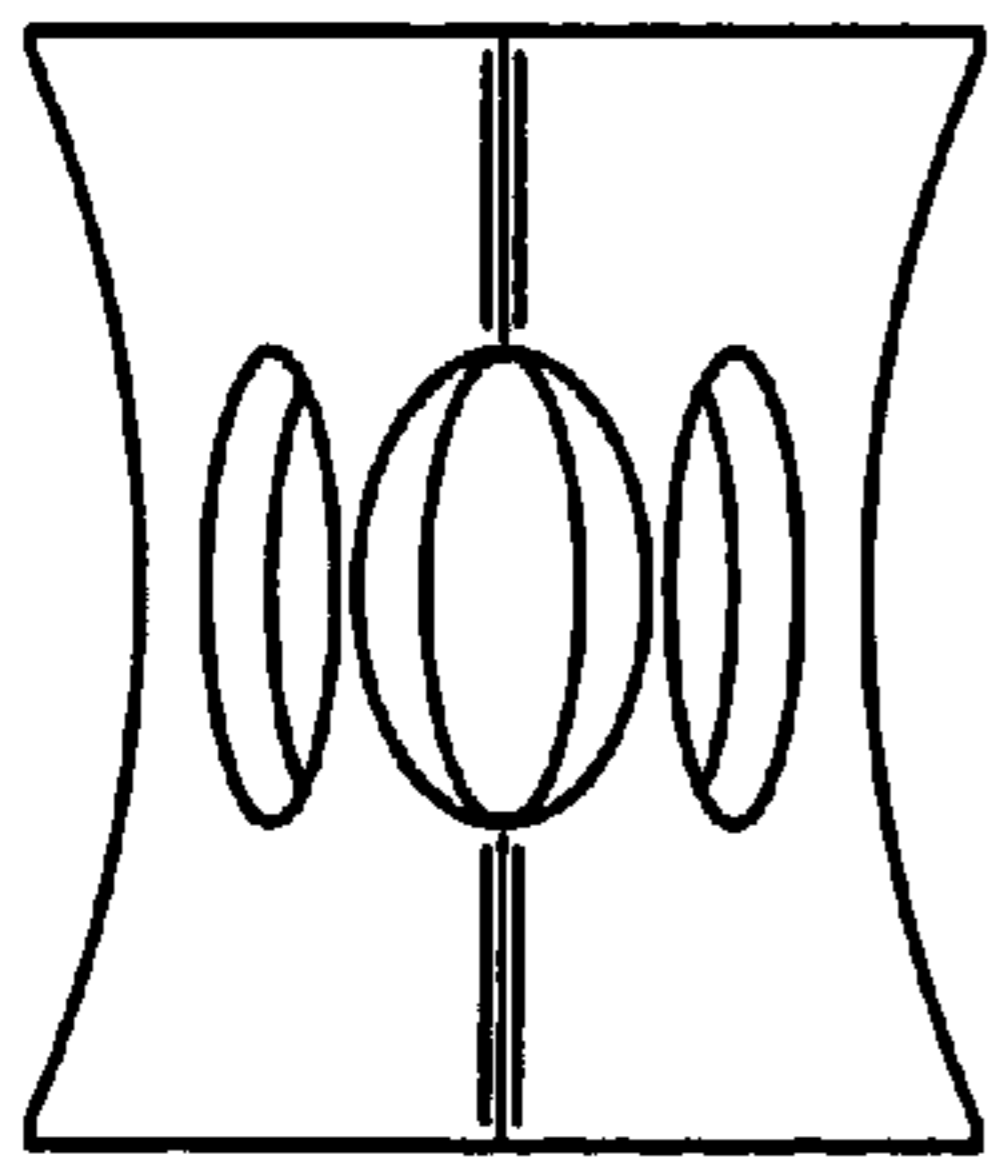


FIG. 2

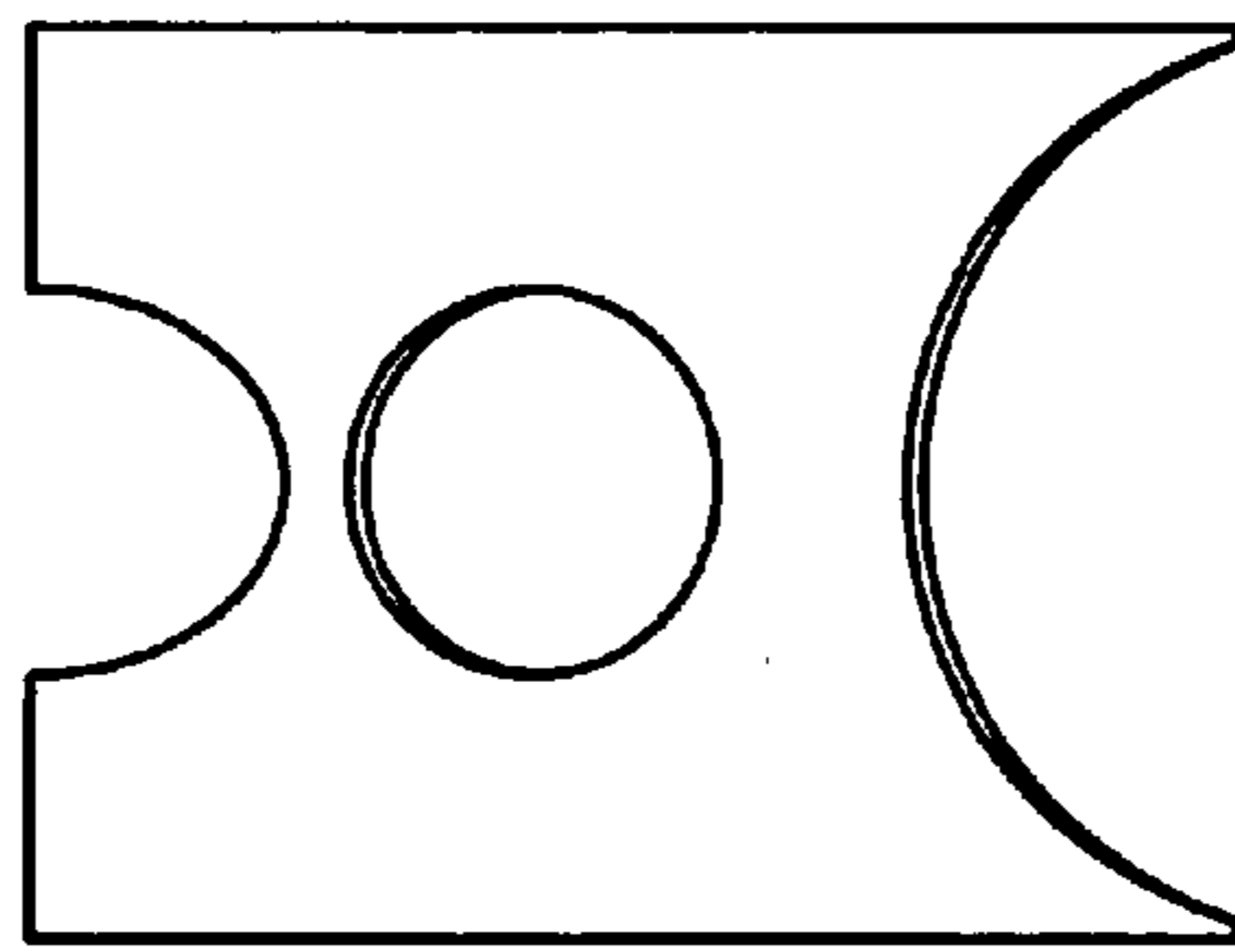


FIG. 3

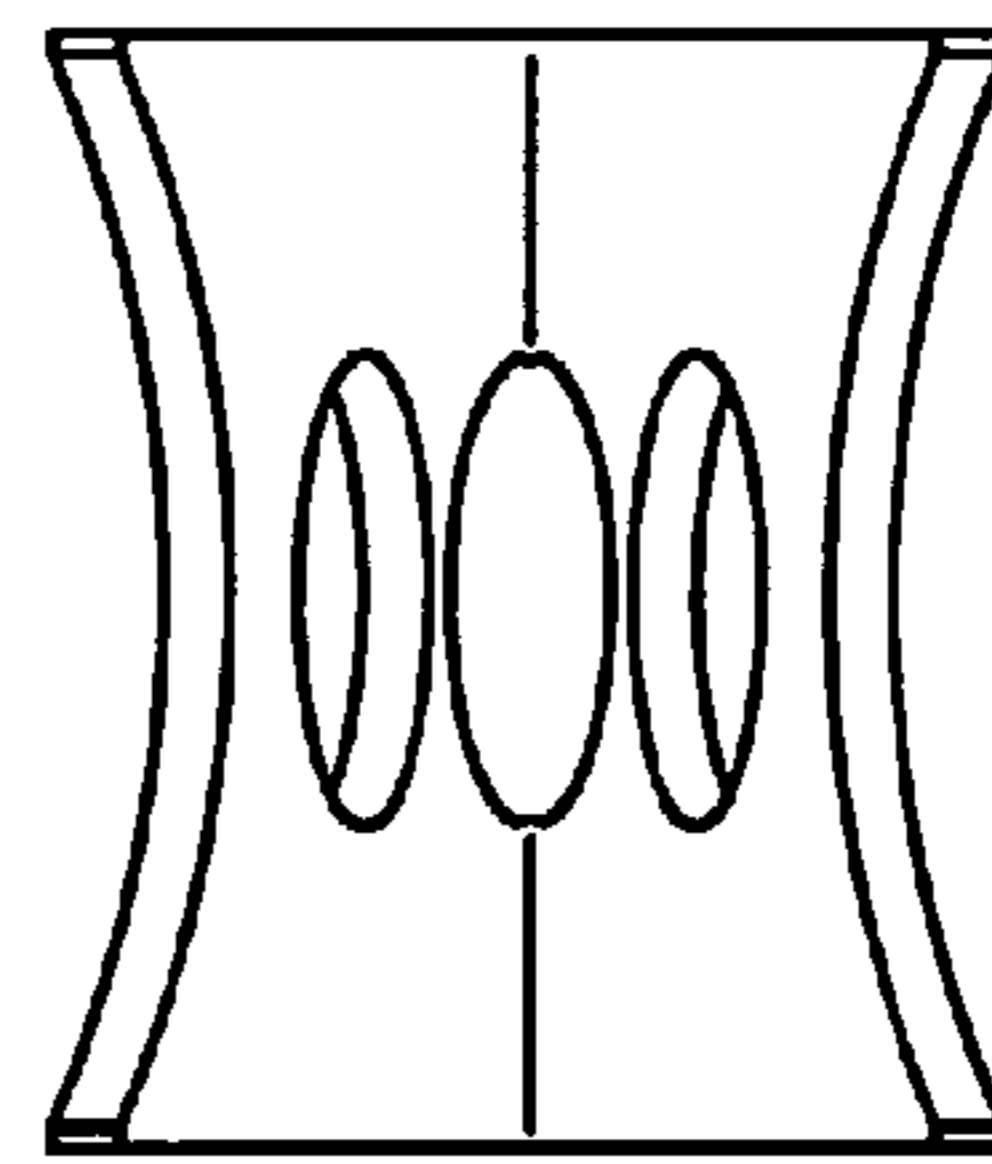


FIG. 4

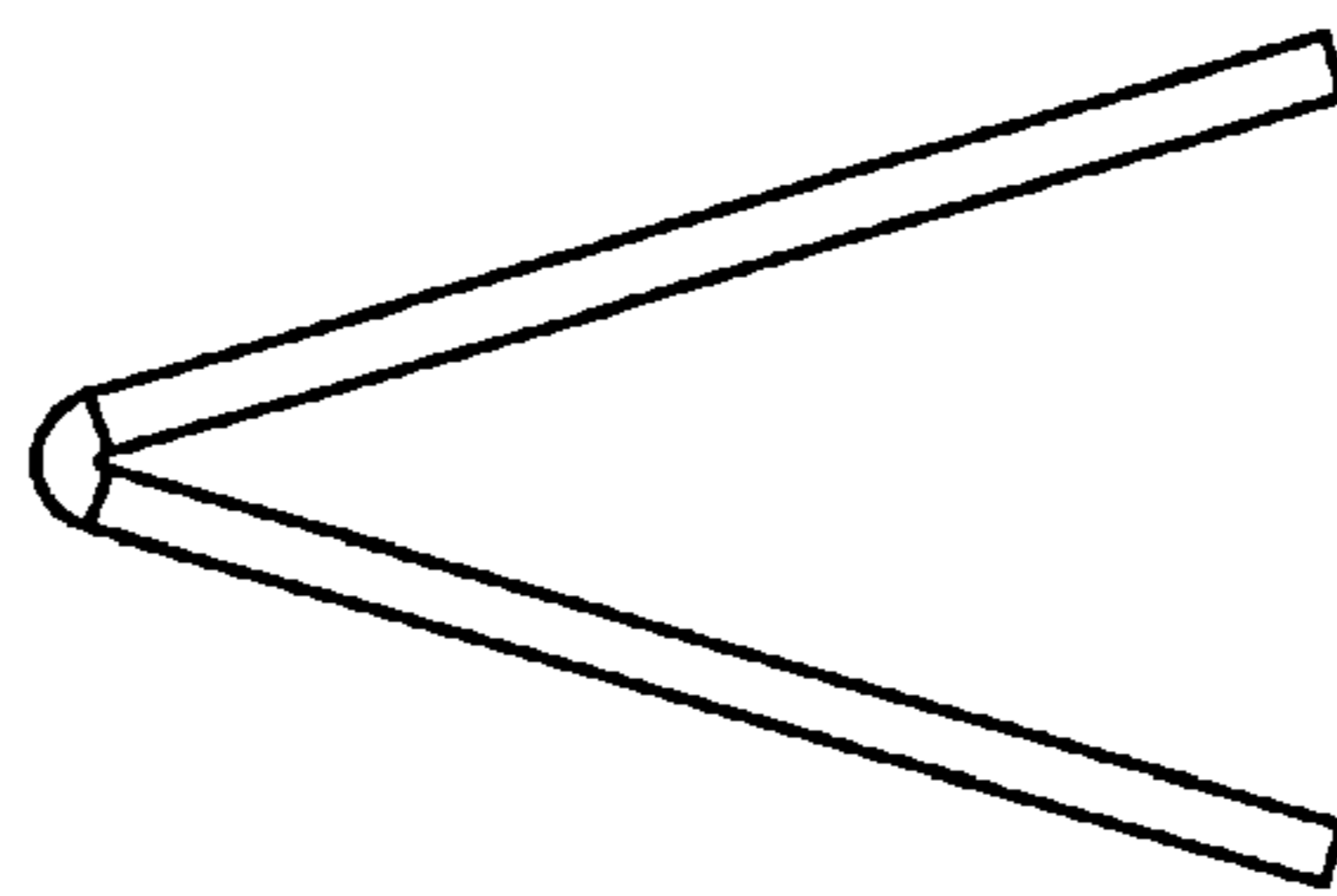


FIG. 5

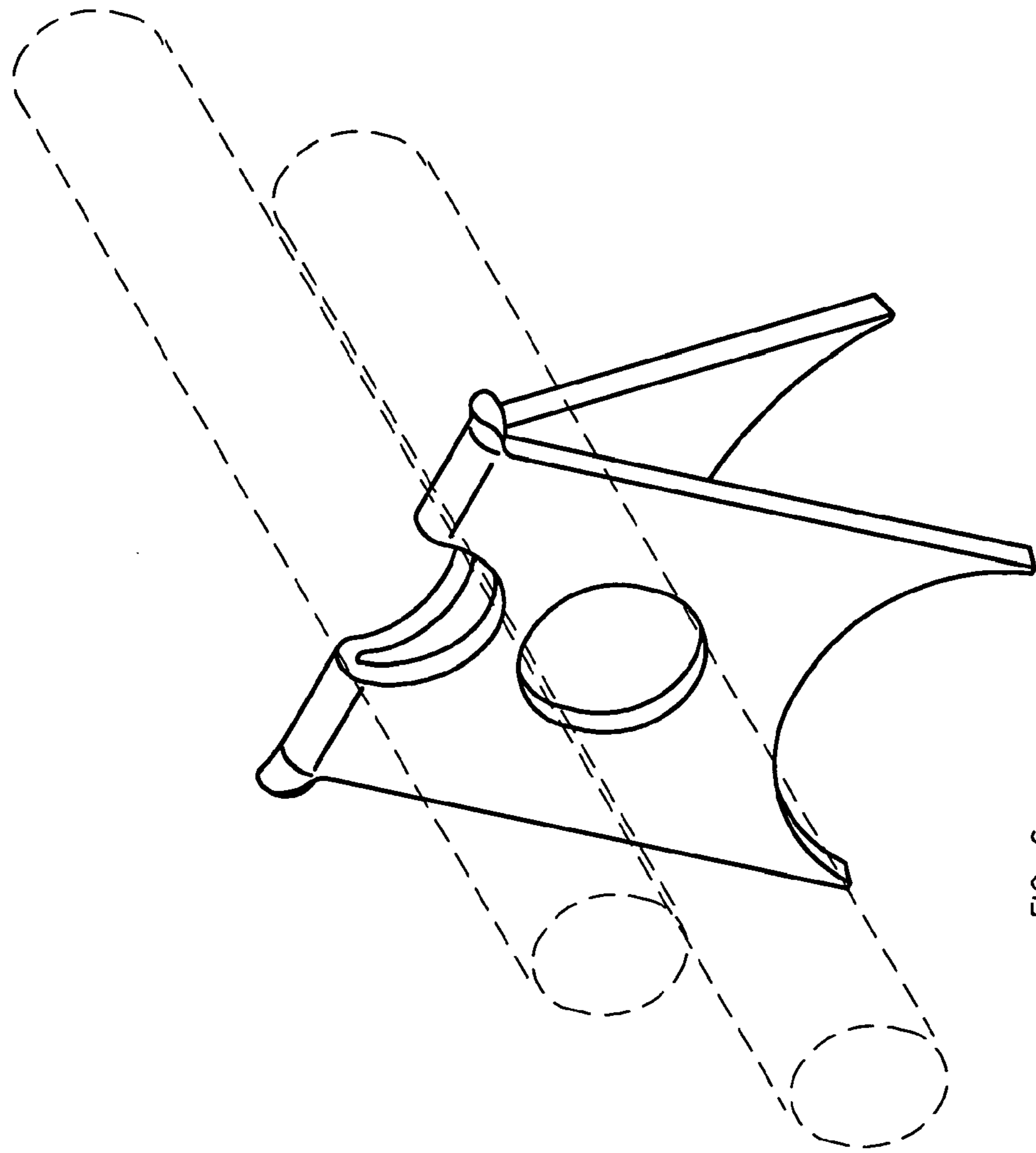


FIG. 6

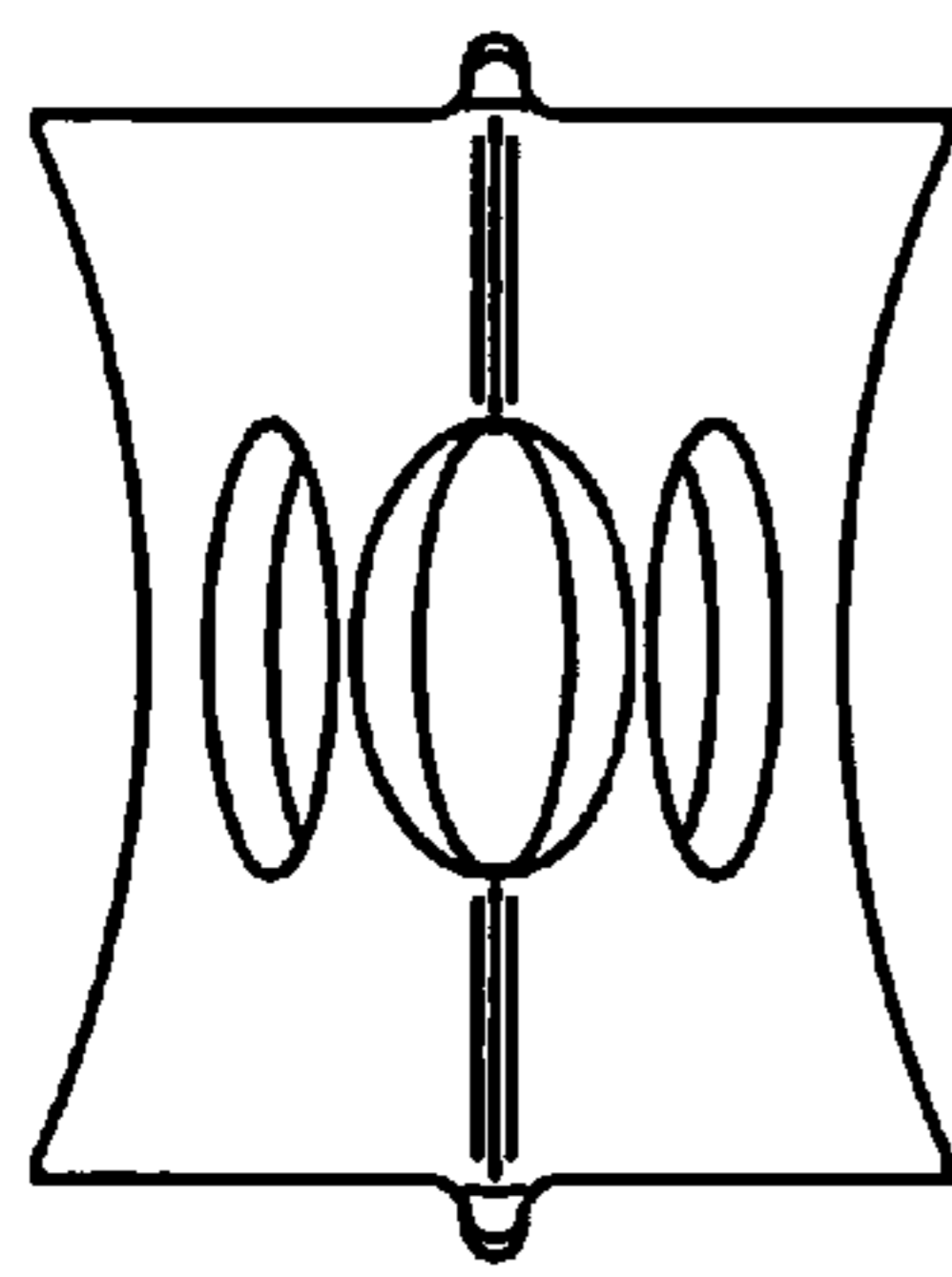


FIG. 7

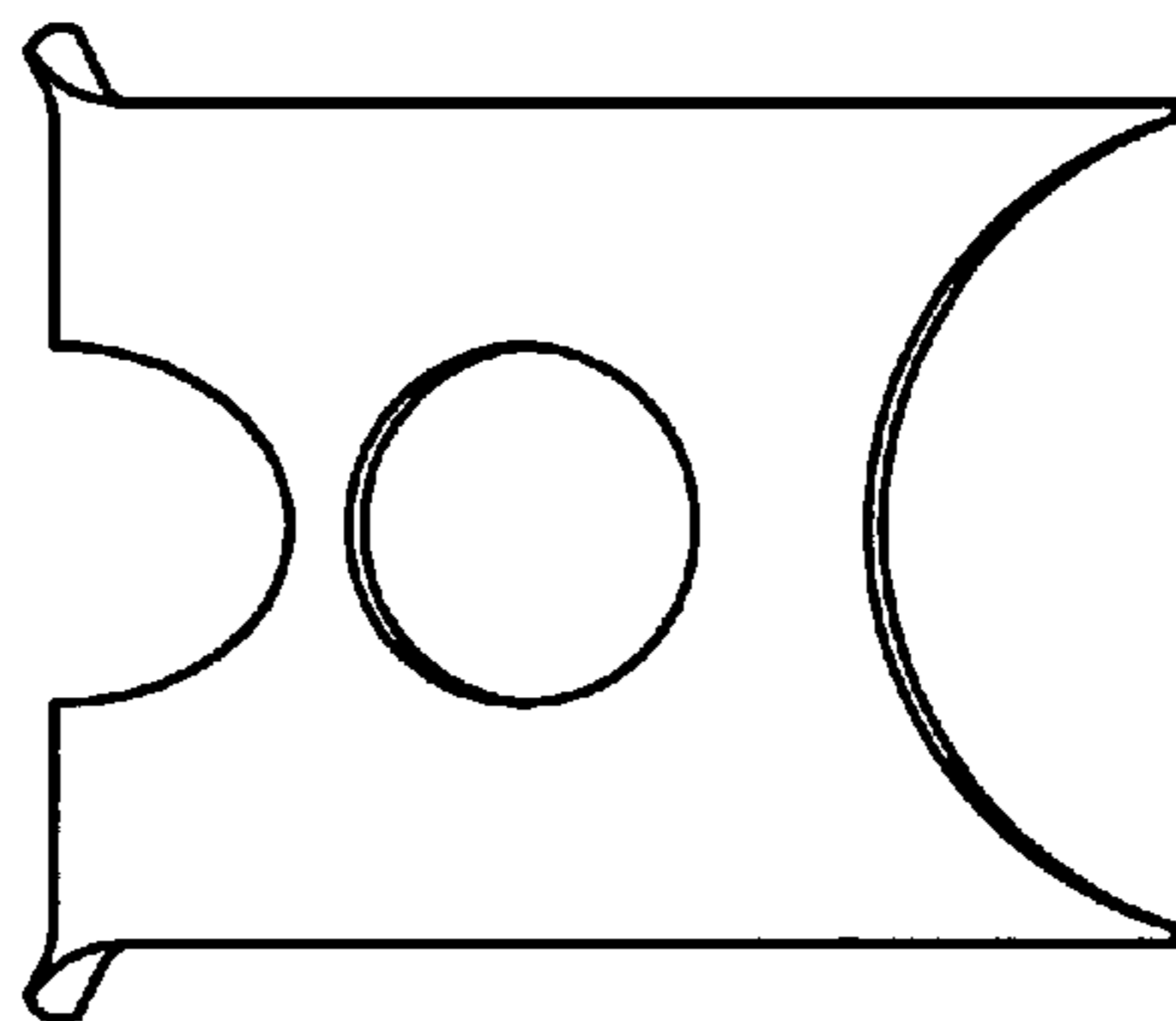


FIG. 8

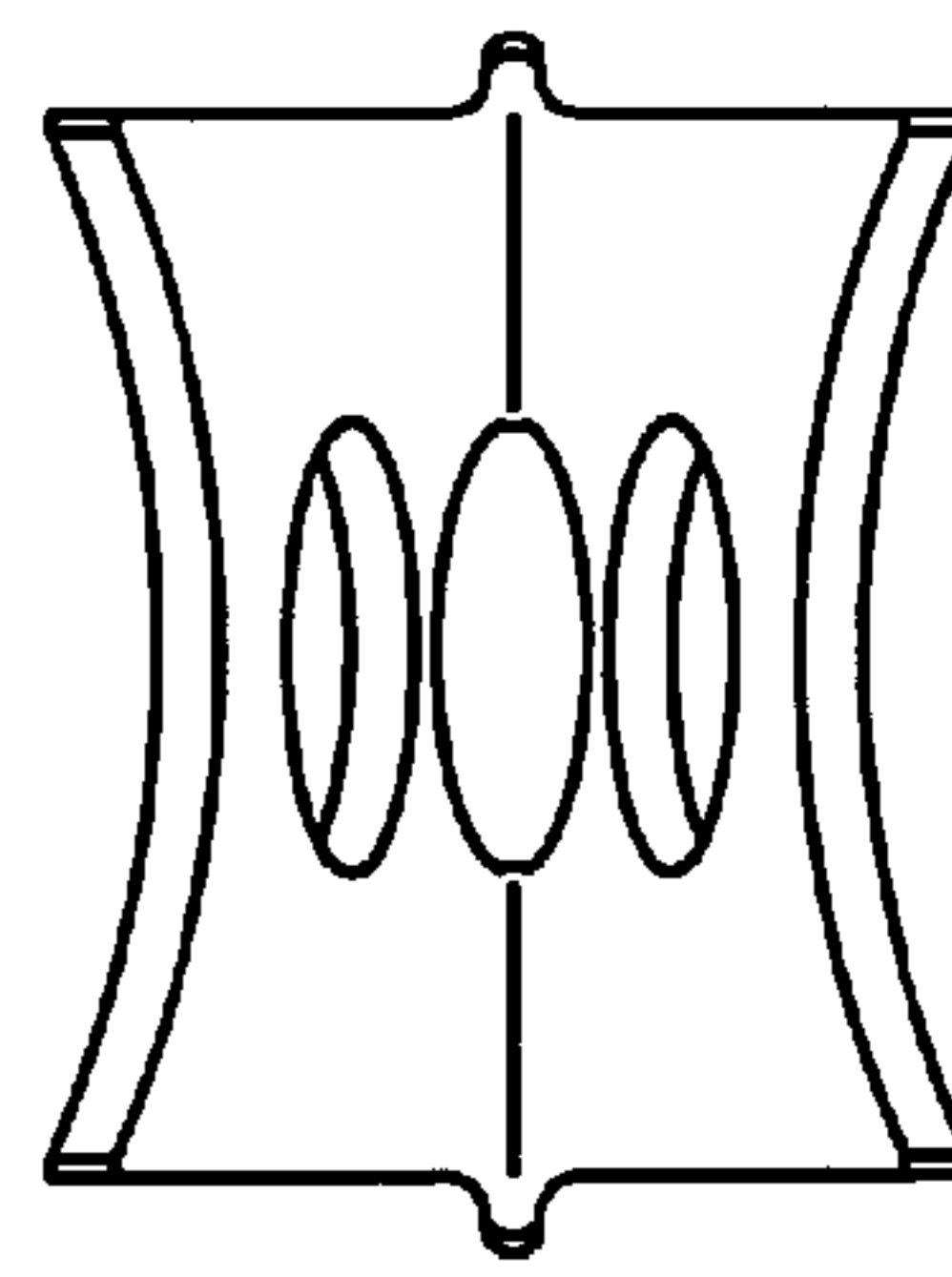


FIG. 9

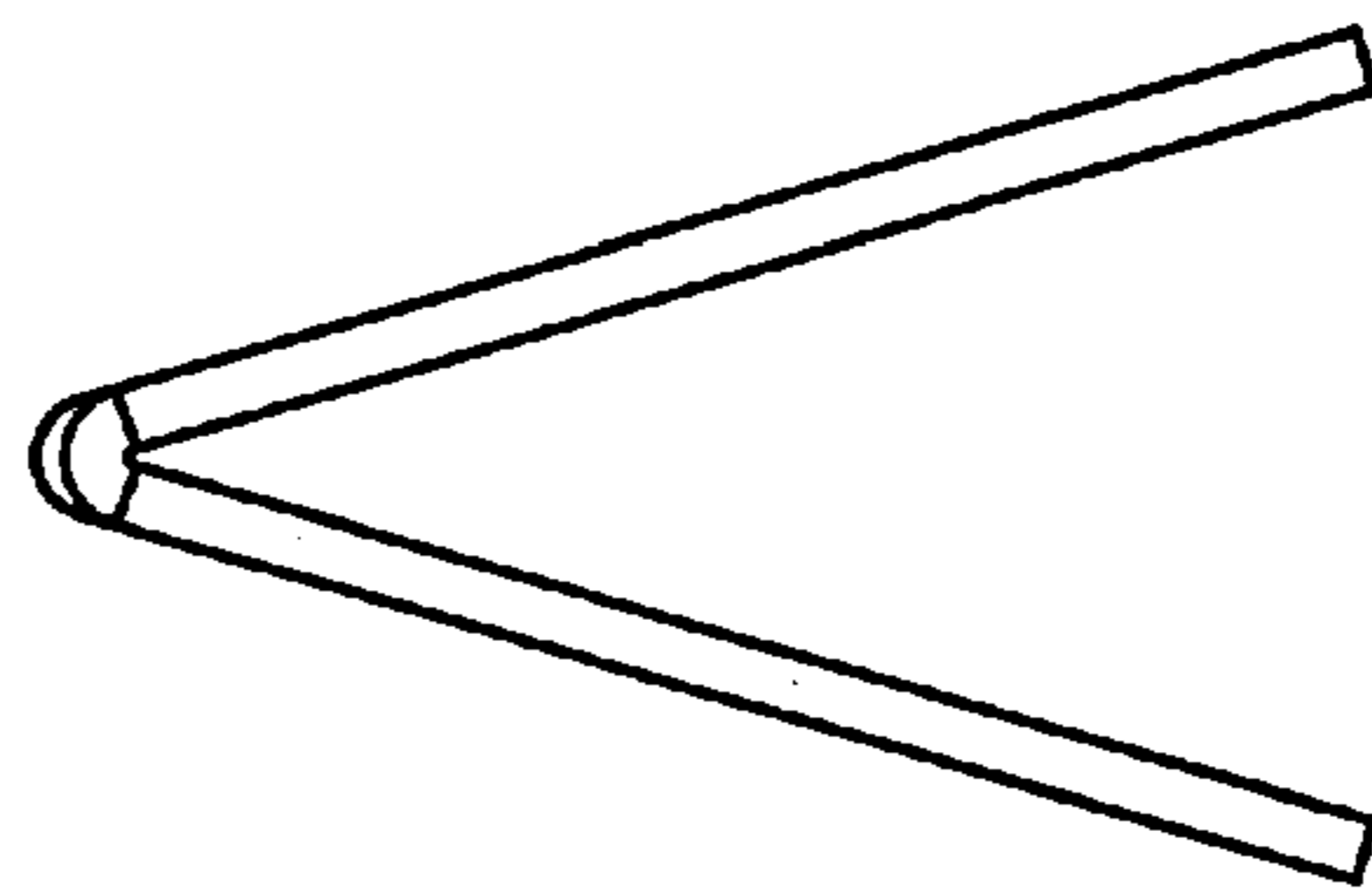


FIG. 10