



US00D565388S

(12) **United States Design Patent**
Concari

(10) **Patent No.:** **US D565,388 S**

(45) **Date of Patent:** **** Apr. 1, 2008**

(54) **MOUNT**

D548,573 S 8/2007 Bascom et al.

(75) Inventor: **Gabriel E. Concari**, Eldersburg, MD
(US)

FOREIGN PATENT DOCUMENTS

(73) Assignee: **Black & Decker Inc.**, Newark, DE
(US)

DE	M9708372	9/1997
DE	MR9804738	11/1997
DE	MR49908965	9/1999
DE	MR40108278	3/2001
DE	40406171	10/2004
DE	40502303	4/2005
WO	DM/013105	3/1989
WO	DM/057265	9/2001
WO	DM/062995	11/2002

(**) Term: **14 Years**

(21) Appl. No.: **29/288,467**

(22) Filed: **Jun. 12, 2007**

* cited by examiner

(51) **LOC (8) Cl.** **08-05**

Primary Examiner—Holly H. Baynham

(52) **U.S. Cl.** **D8/355**

(74) *Attorney, Agent, or Firm*—Mehul R. Jani; Adan Ayala

(58) **Field of Classification Search** D8/355,
D8/363; 248/205.1, 205.4, 278.1, 284.1
See application file for complete search history.

(57) **CLAIM**

The ornamental design for a mount, as shown and described.

(56) **References Cited**

DESCRIPTION

U.S. PATENT DOCUMENTS

D98,683 S	2/1936	Langsner	
D393,198 S *	4/1998	Schmidt	D8/355
D396,817 S	8/1998	Webb	
D461,135 S	8/2002	Watson et al.	
D464,250 S *	10/2002	Warner et al.	D8/355
D498,687 S	11/2004	Lopano	
D499,954 S *	12/2004	Brushaber	D8/355
D502,446 S	3/2005	Wilson et al.	
D509,453 S	9/2005	Lopano	
D509,761 S	9/2005	Kallabis	
D526,587 S	8/2006	Lopano	
D528,022 S	9/2006	Kallabis	
D531,489 S	11/2006	Concari et al.	
D533,093 S	12/2006	Reznor	

FIG. 1 is a perspective view of a mount.

FIG. 2 is a front view thereof.

FIG. 3 is a rear view thereof.

FIG. 4 is a left side view thereof.

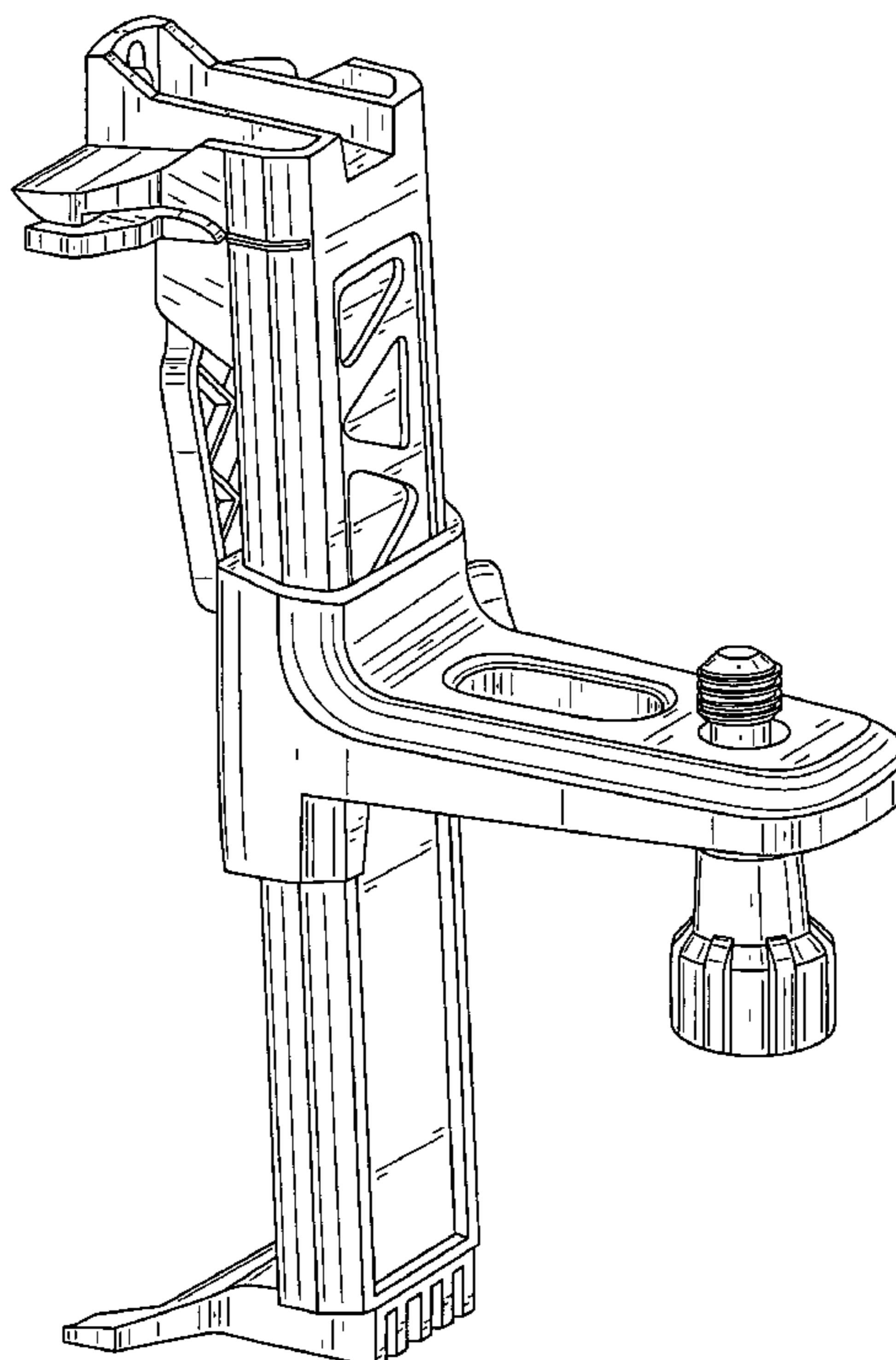
FIG. 5 is a right side view thereof.

FIG. 6 is top view thereof; and,

FIG. 7 is a bottom view thereof.

Any broken lines in the drawings are for illustrative purposes only and form no part of the claimed design.

1 Claim, 6 Drawing Sheets



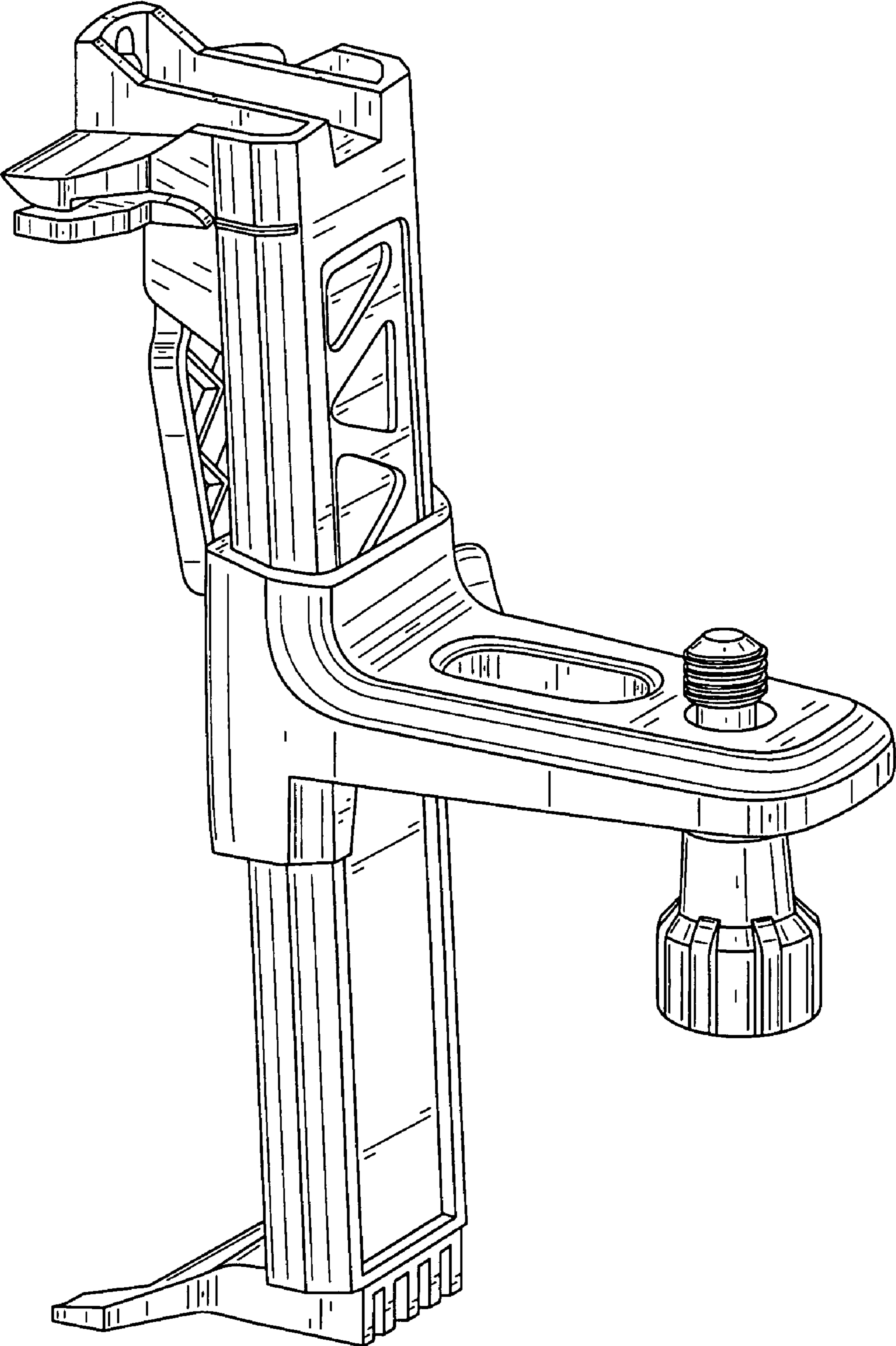


FIG. 1

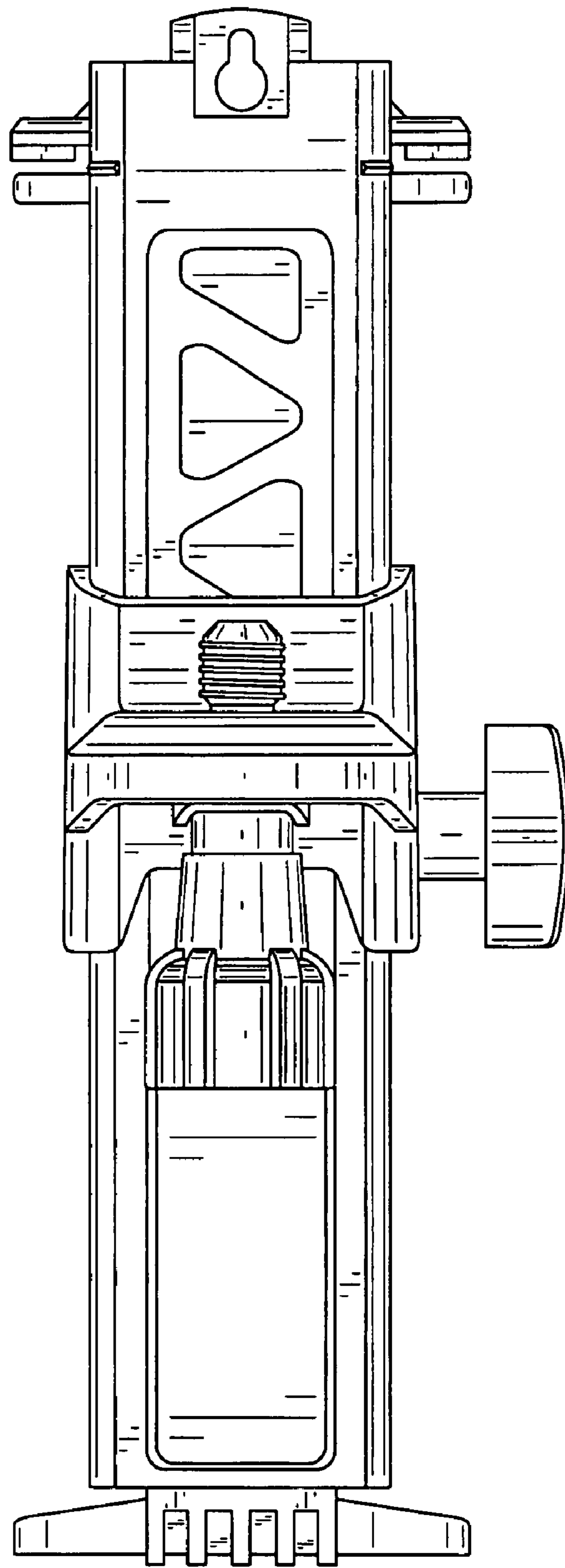


FIG. 2

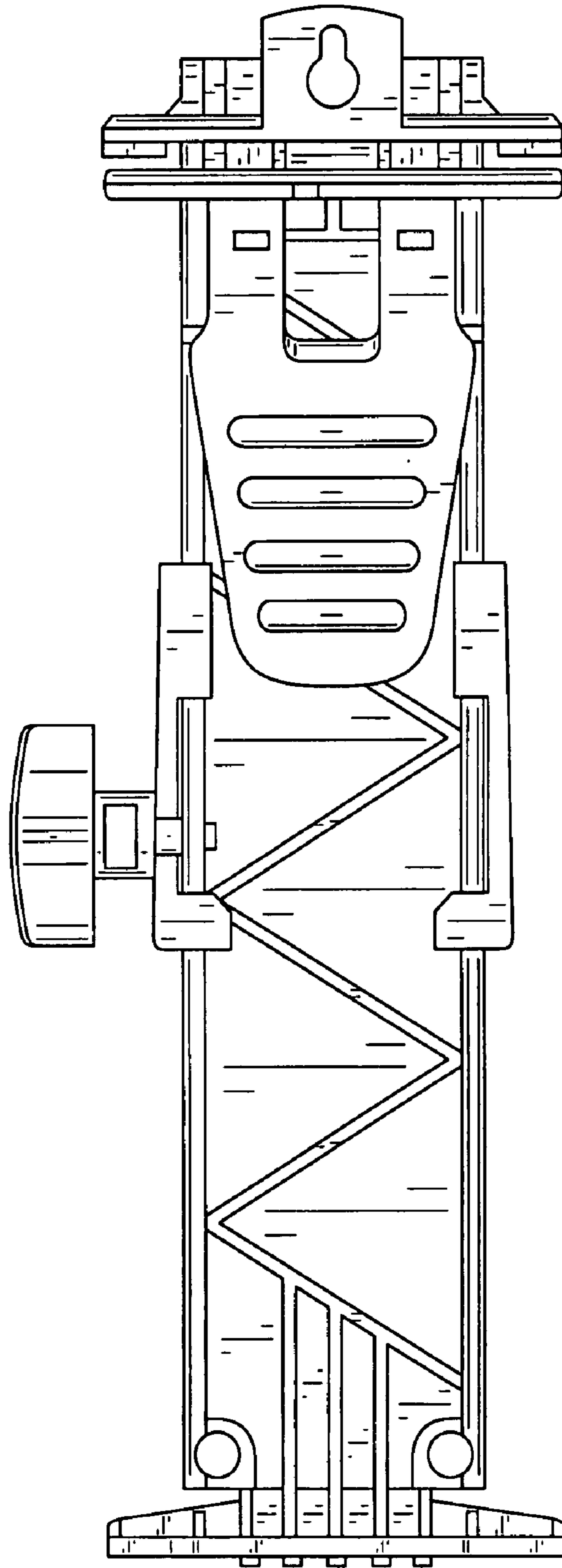


FIG. 3

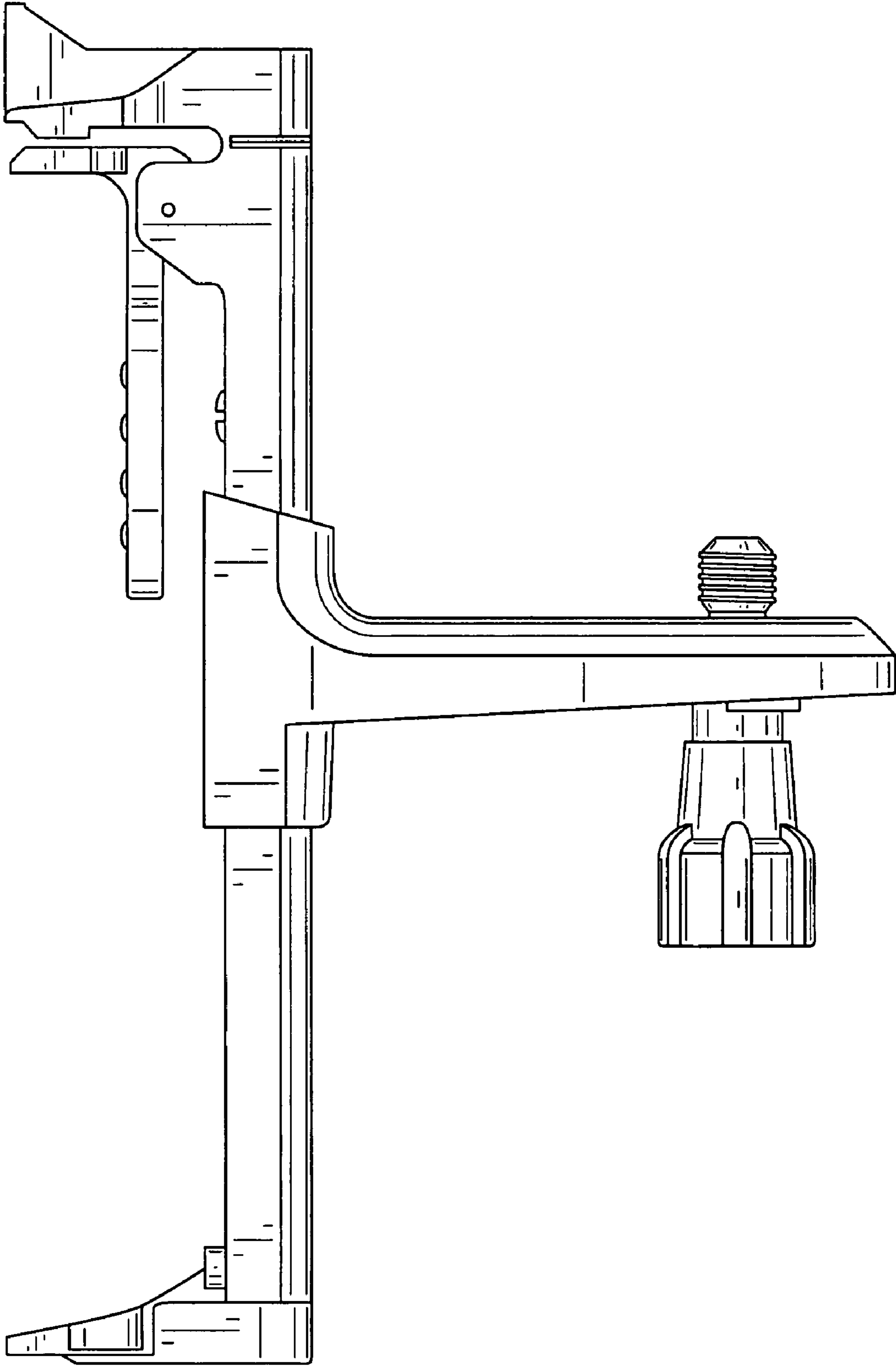


FIG. 4

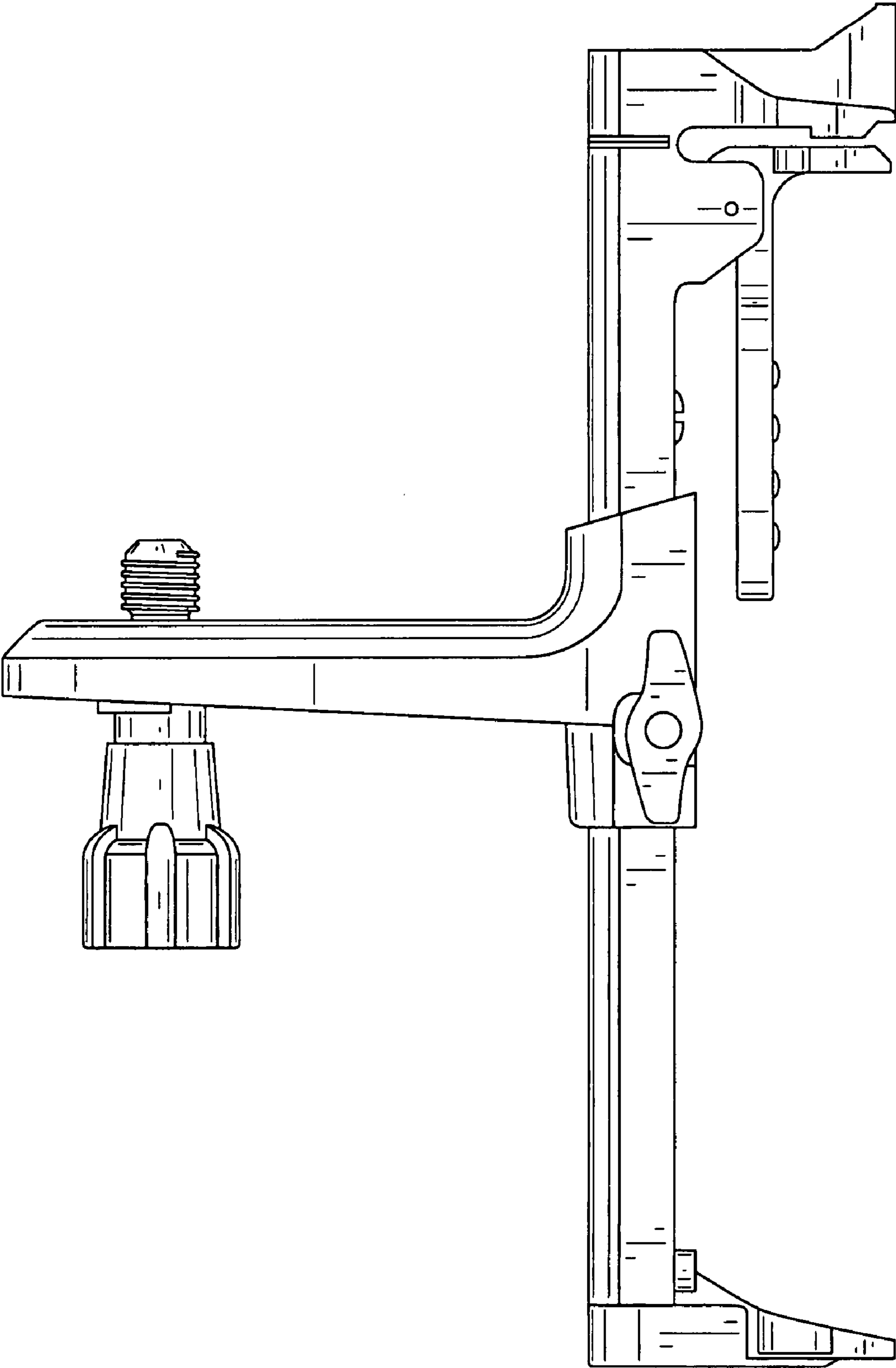


FIG. 5

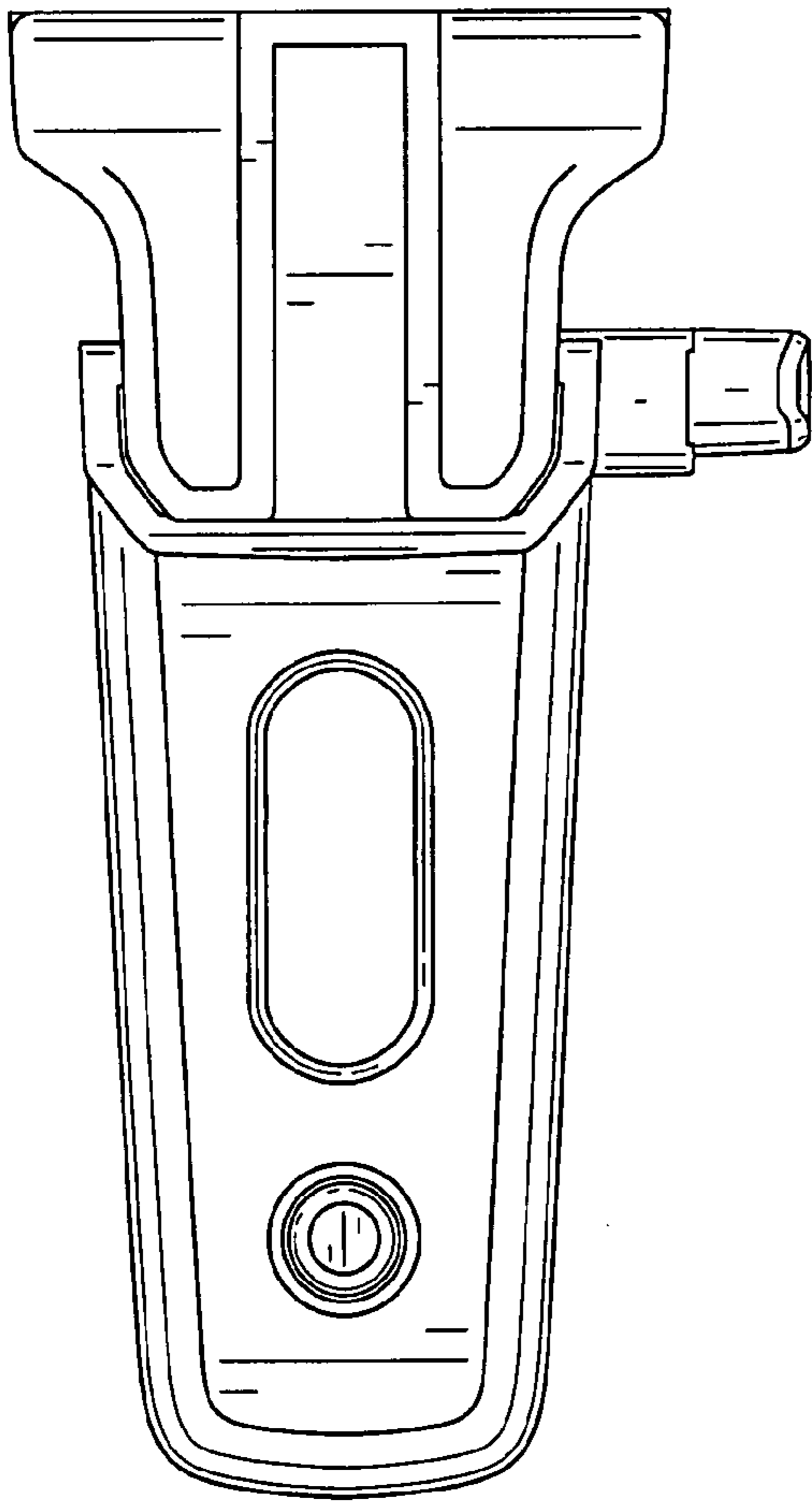


FIG. 6

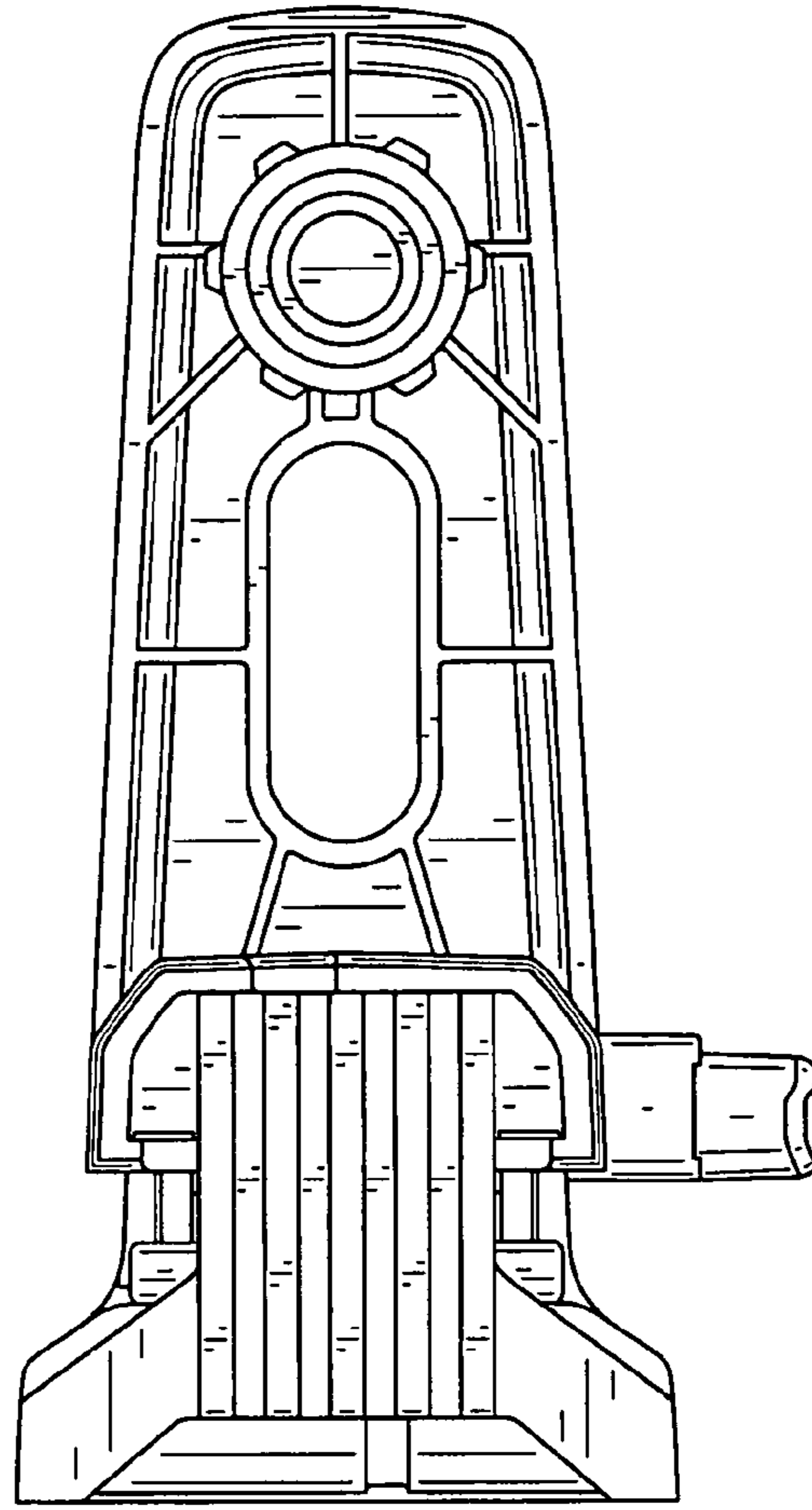


FIG. 7