



US00D565387S

(12) **United States Design Patent**
Remark et al.

(10) **Patent No.:** **US D565,387 S**
(45) **Date of Patent:** **** Apr. 1, 2008**

(54) **ENGAGEMENT LOCK FOR A CONTAINER**

(75) Inventors: **Preben M. Remark**, Hørsholm (DK);
Jens C. Velschou, Lyngby (DK)

(73) Assignee: **Oneseal A/S**, Kokkedal (DK)

(**) Term: **14 Years**

(21) Appl. No.: **29/275,640**

(22) Filed: **Jan. 2, 2007**

(30) **Foreign Application Priority Data**

Jun. 30, 2006 (EM) 000556998

(51) **LOC (8) Cl.** **08-07**

(52) **U.S. Cl.** **D8/330**

(58) **Field of Classification Search** D8/330-348;
292/327, 319, 307 R, 331; 411/530, 378-382,
411/914-916, 455; 70/416-422

See application file for complete search history.

(56) **References Cited**

U.S. PATENT DOCUMENTS

1,397,101	A *	11/1921	Kelly	292/327
3,980,337	A *	9/1976	Moberg et al.	292/319
4,075,742	A *	2/1978	Remark et al.	292/307 R
4,991,889	A *	2/1991	Remark	292/327
D454,773	S *	3/2002	Gilbert et al.	D8/331
D455,330	S *	4/2002	Gilbert et al.	D8/331
D455,636	S *	4/2002	Gilbert et al.	D8/331
D455,945	S *	4/2002	Gilbert et al.	D8/331

* cited by examiner

Primary Examiner—Mitchell Siegel

(74) *Attorney, Agent, or Firm*—Klein, O'Neill & Singh,
LLP; Howard J. Klein

(57) **CLAIM**

The ornamental design for an engagement lock for a container, as shown and described.

DESCRIPTION

FIG. 1 is an exploded perspective view of the engagement lock for a container;

FIG. 2 is an exploded perspective view thereof;

FIG. 3 is a fragmented perspective view of a second embodiment of the pin portion of the engagement lock for a container;

FIG. 4 is a fragmented perspective view of FIG. 3;

FIG. 5 is a fragmented perspective view of a third embodiment of the pin portion of the engagement lock for a container;

FIG. 6 is a fragmented perspective view of FIG. 5;

FIG. 7 is a fragmented perspective view of a fourth embodiment of the pin portion of the engagement lock for a container;

FIG. 8 is a fragmented perspective view of FIG. 7;

FIG. 9 is a fragmented perspective view of a fifth embodiment of the pin portion of the engagement lock for a container;

FIG. 10 is a fragmented perspective view of FIG. 9;

FIG. 11 is a fragmented perspective view of a sixth embodiment of the pin portion of the engagement lock for a container;

FIG. 12 is a fragmented perspective view of FIG. 11;

FIG. 13 is a fragmented perspective view of a seventh embodiment of the pin portion of the engagement lock for a container;

FIG. 14 is a fragmented perspective view of FIG. 13;

FIG. 15 is a fragmented perspective view of an eighth embodiment of the pin portion of the engagement lock for a container;

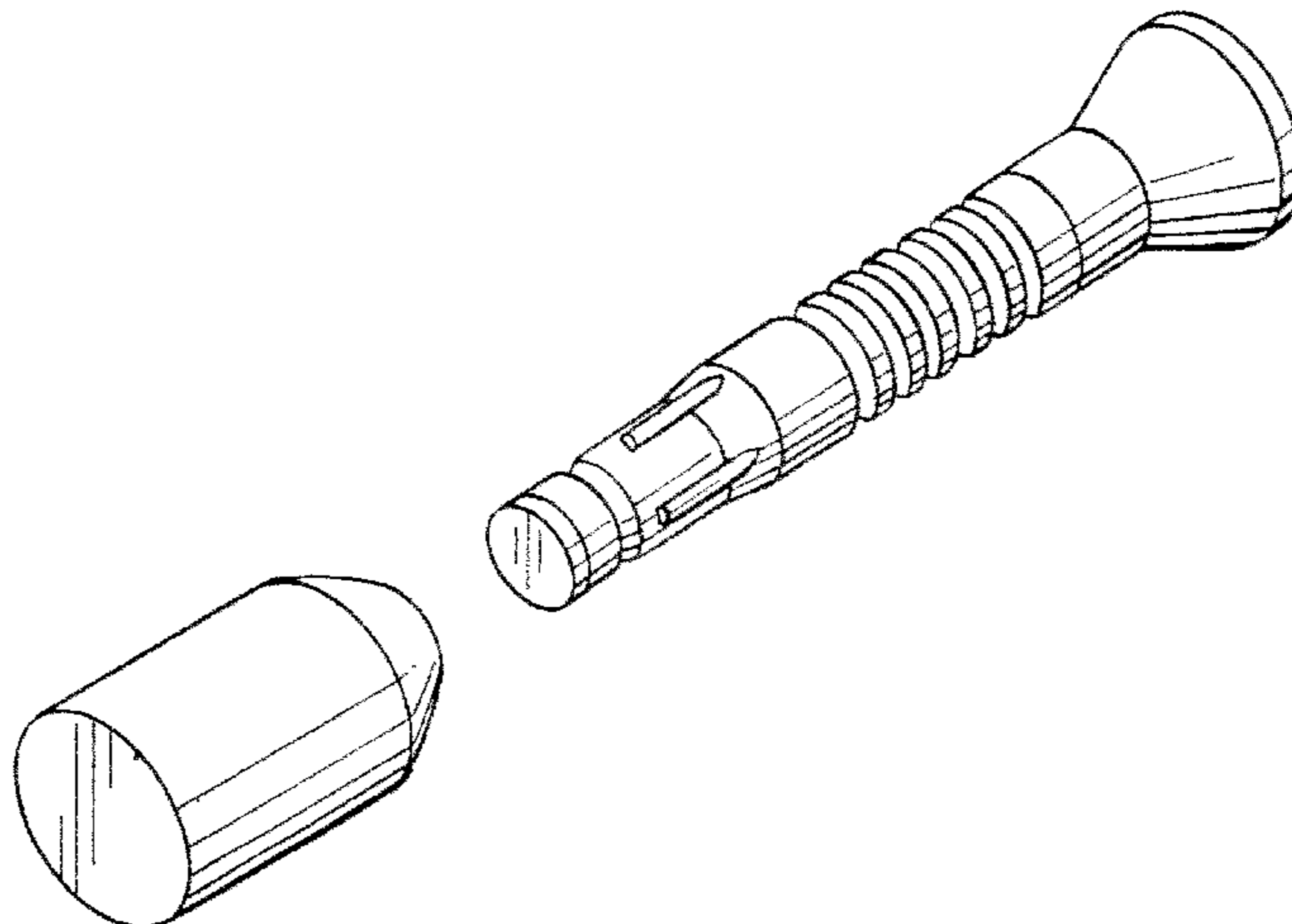
FIG. 16 is a fragmented perspective view of FIG. 15;

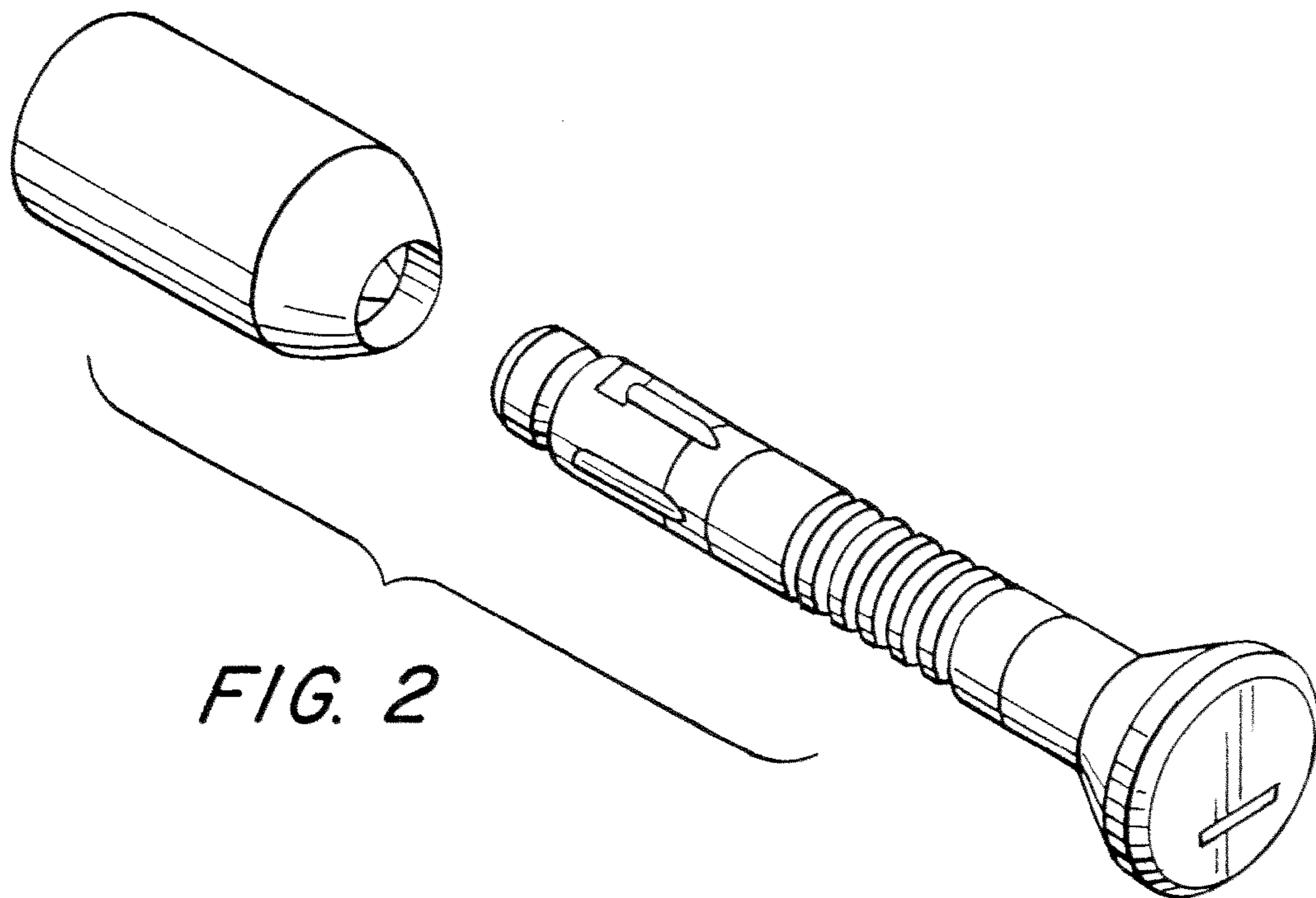
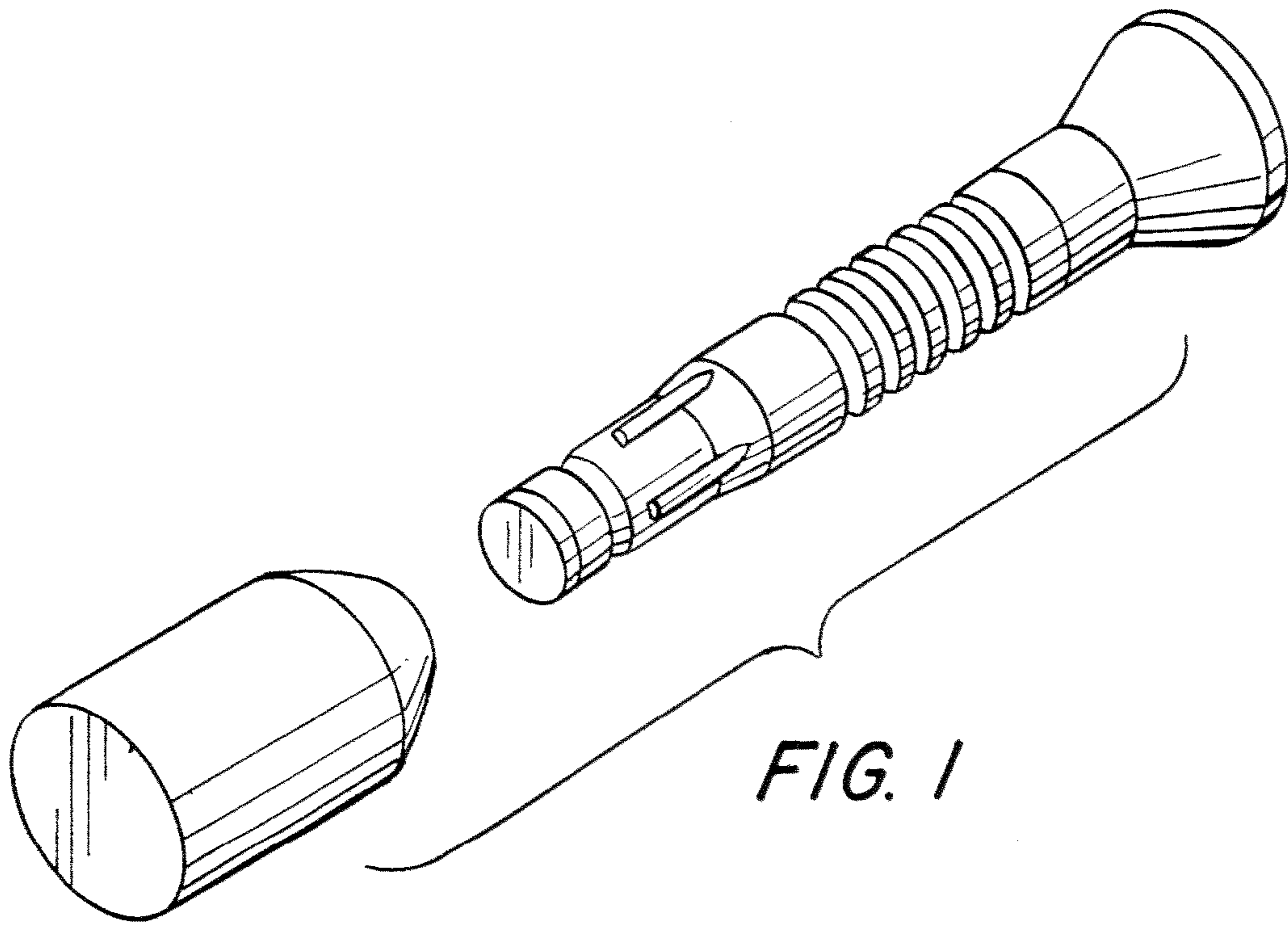
FIG. 17 is a fragmented perspective view of a ninth embodiment of the pin portion of the engagement lock for a container; and,

FIG. 18 is a fragmented perspective view of FIG. 17.

The undisclosed portions of the second through ninth embodiments are identical to that disclosed in the first embodiment.

1 Claim, 4 Drawing Sheets





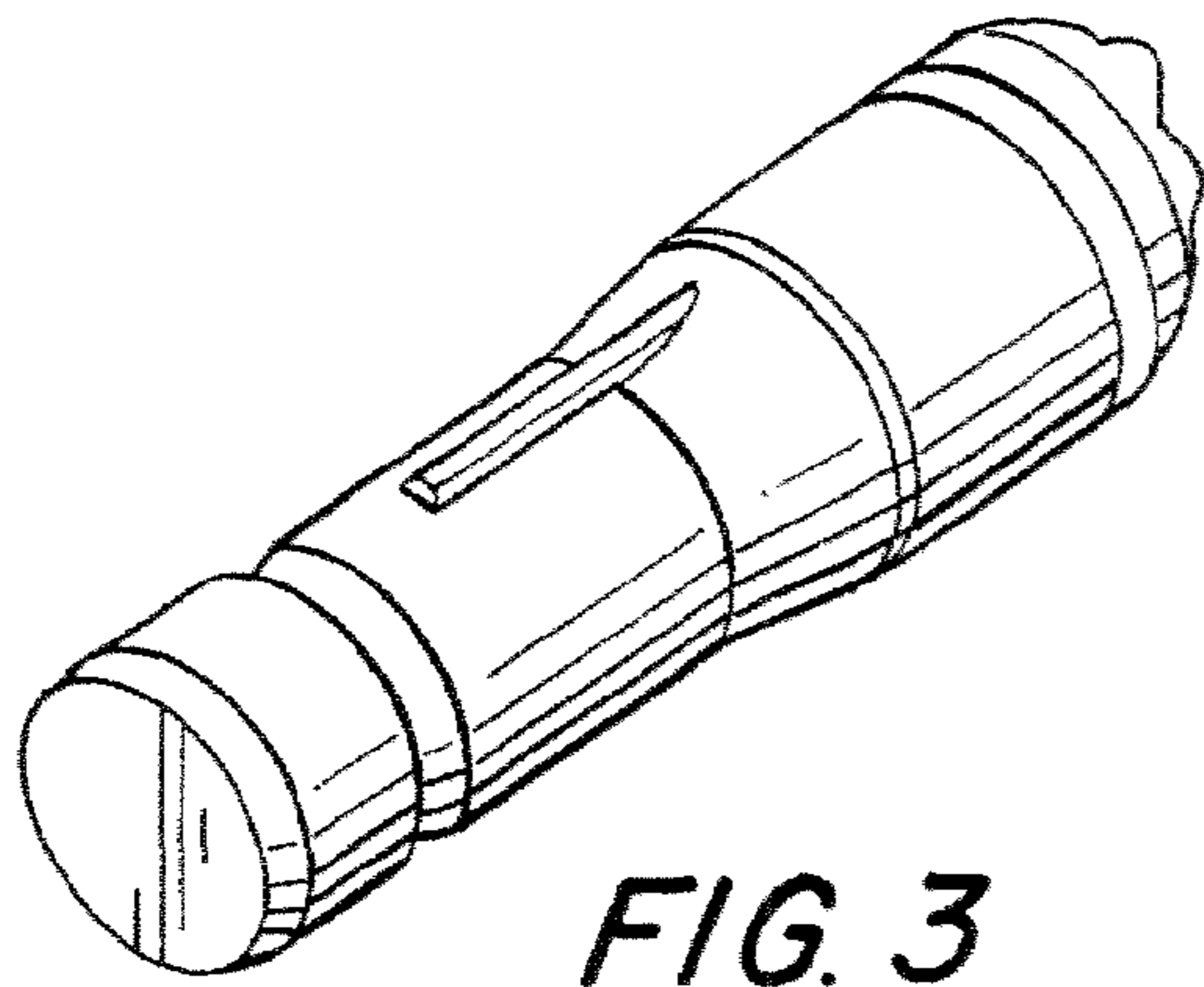


FIG. 3

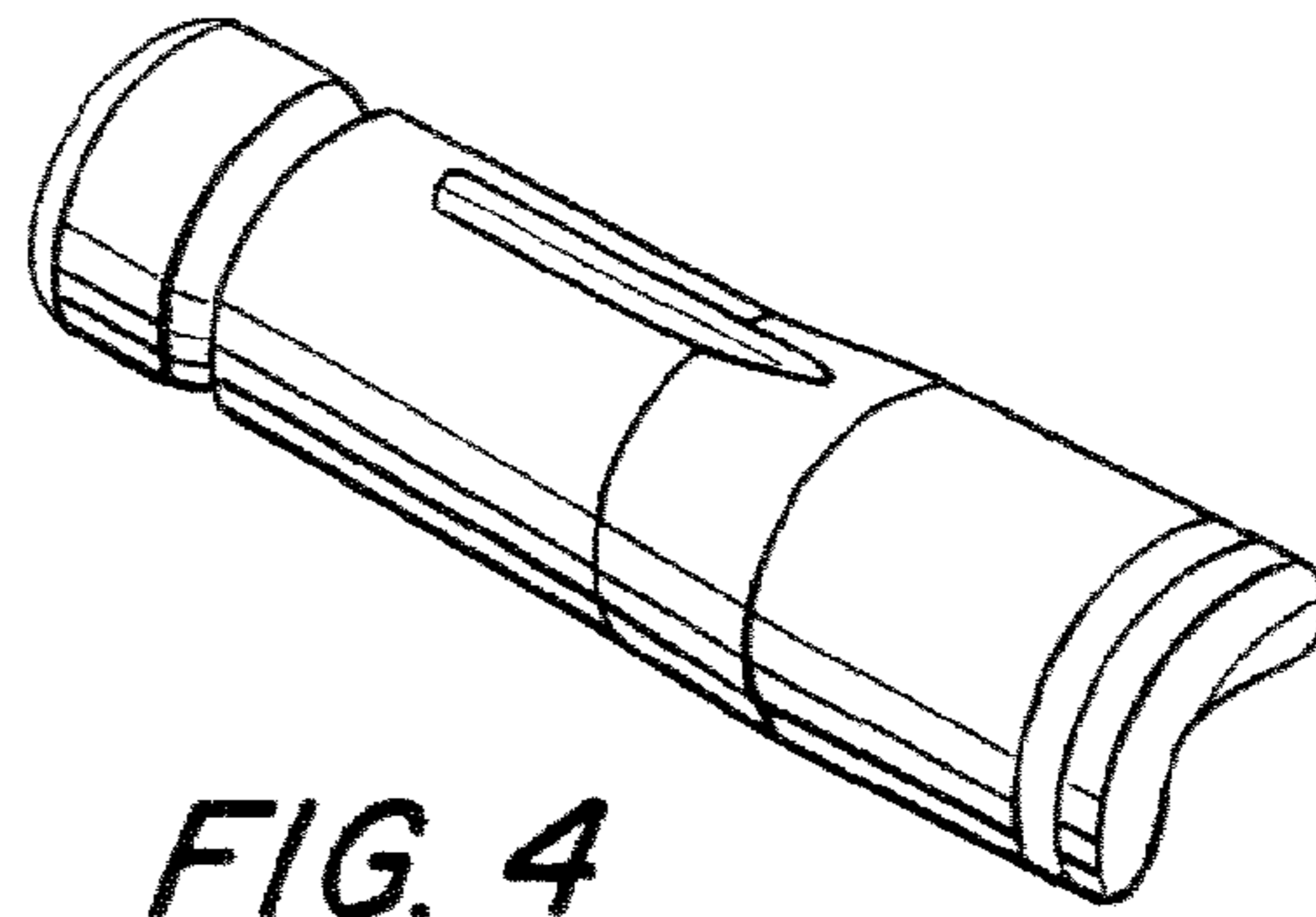


FIG. 4

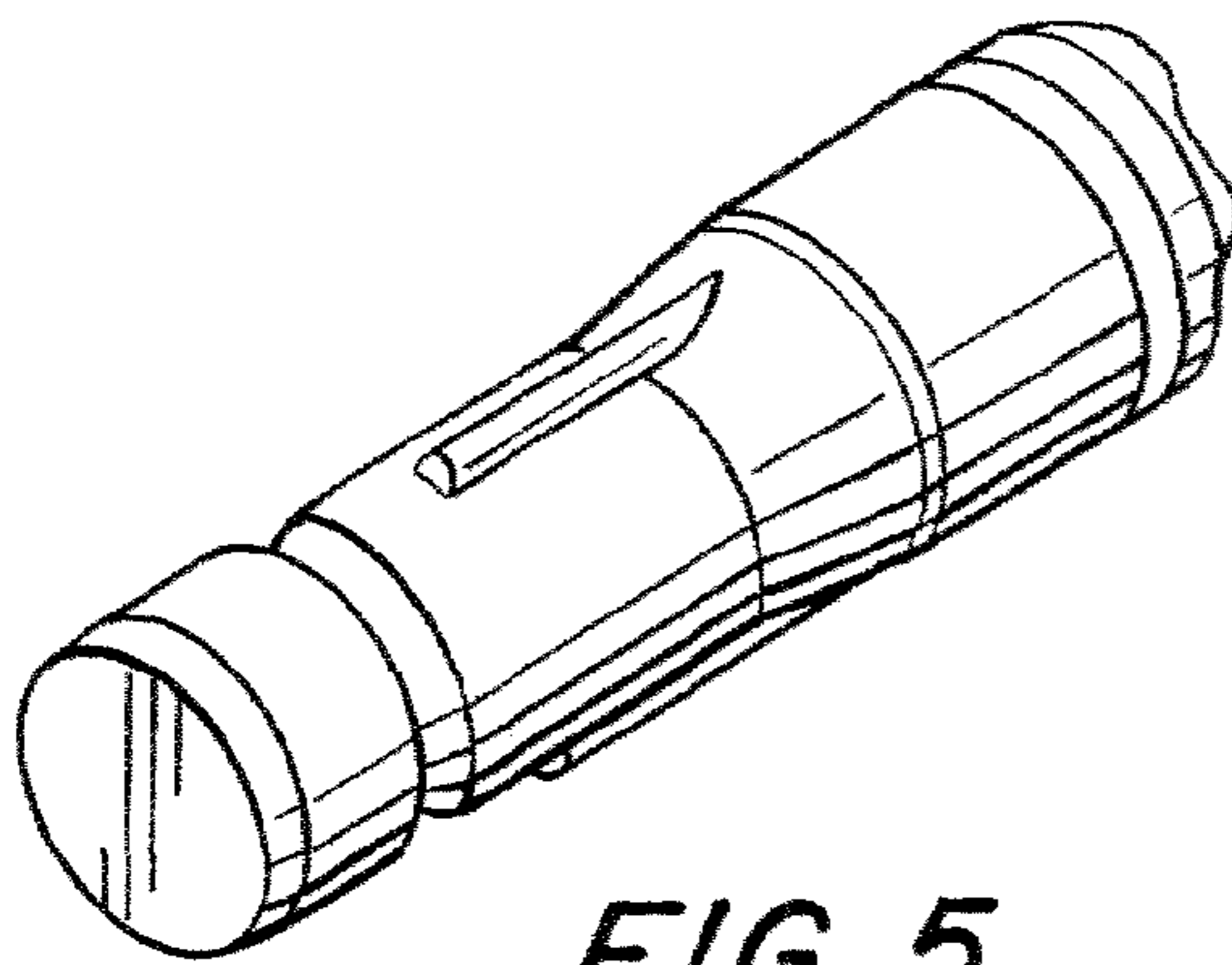


FIG. 5

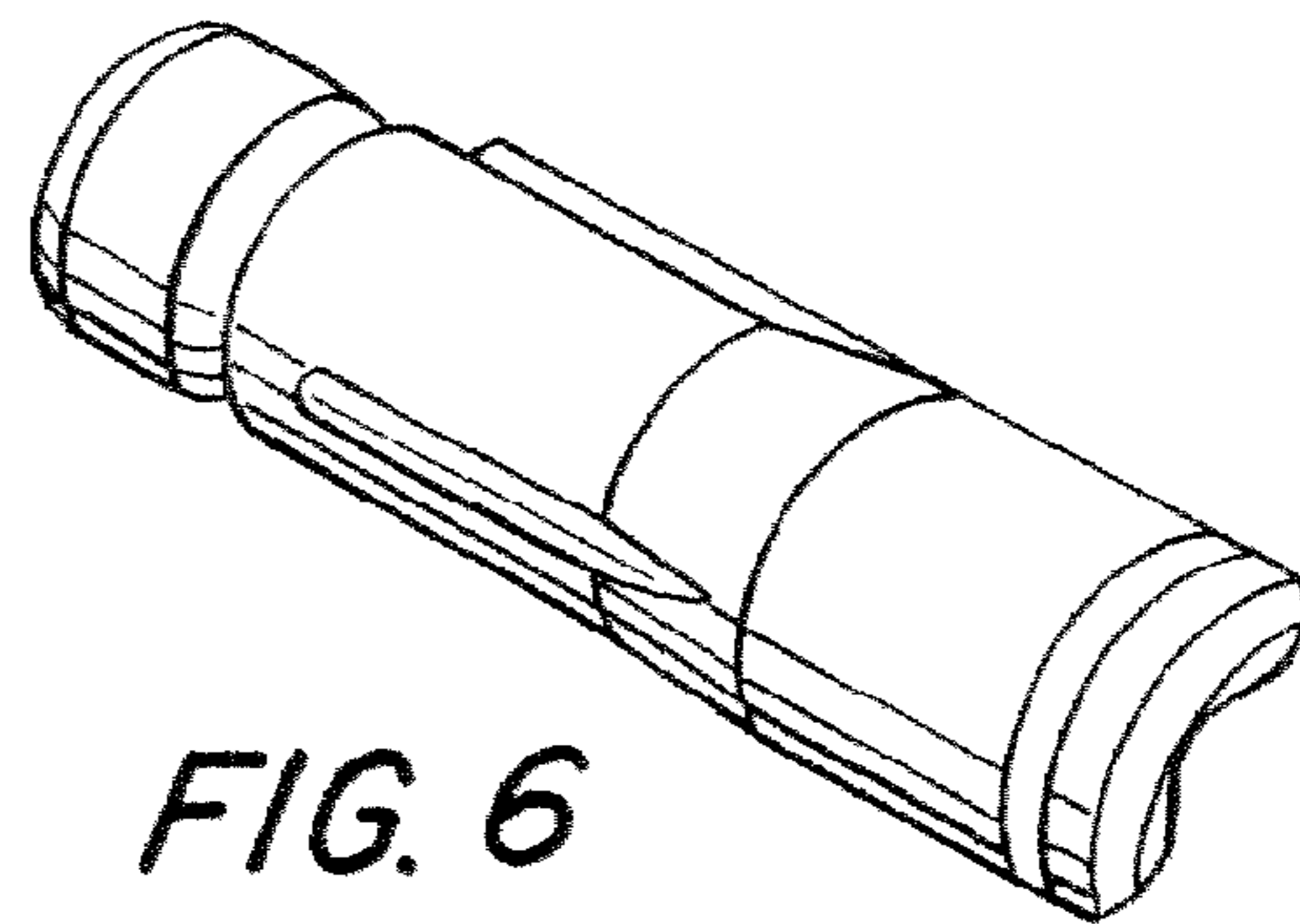


FIG. 6

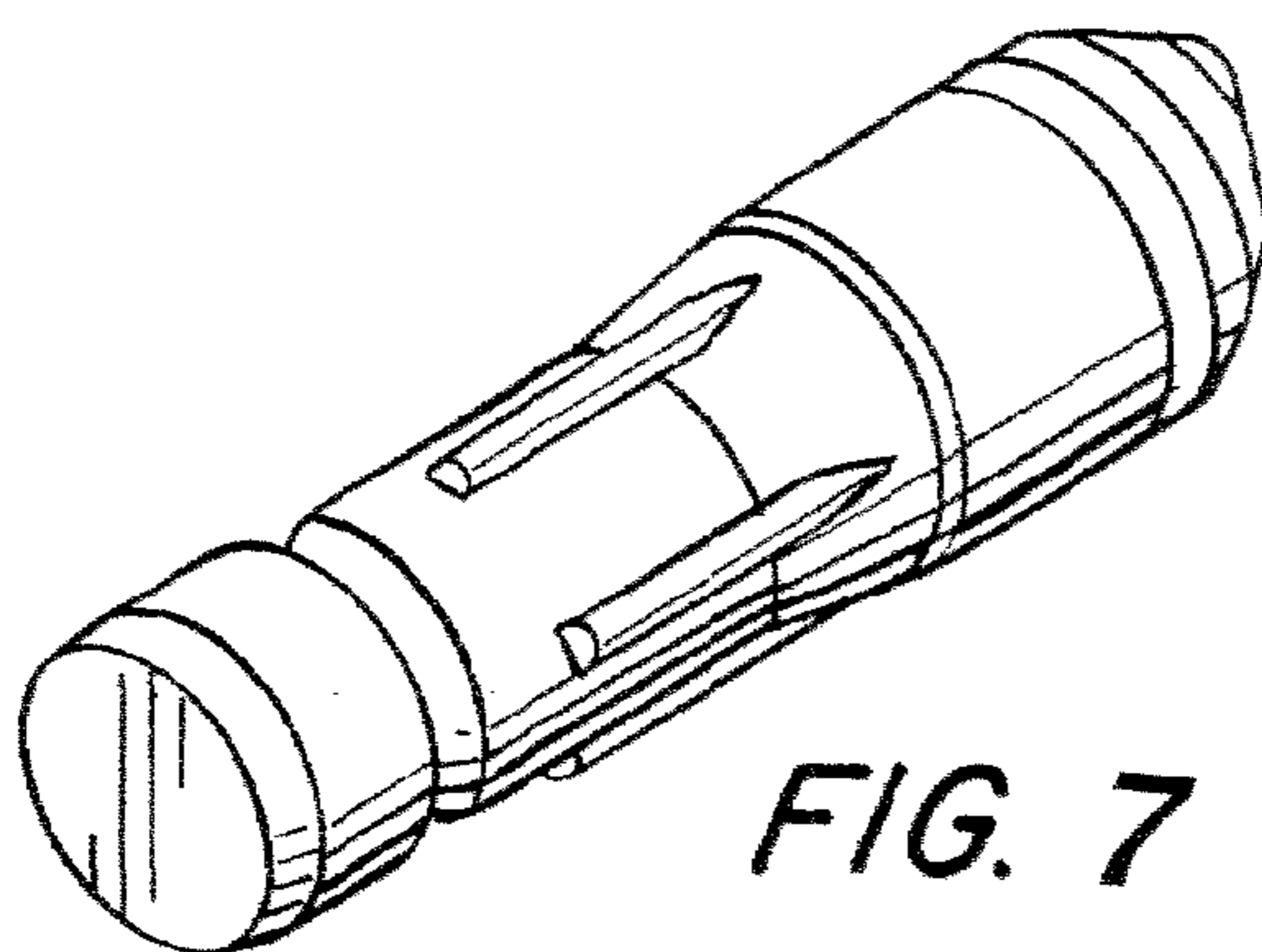


FIG. 7

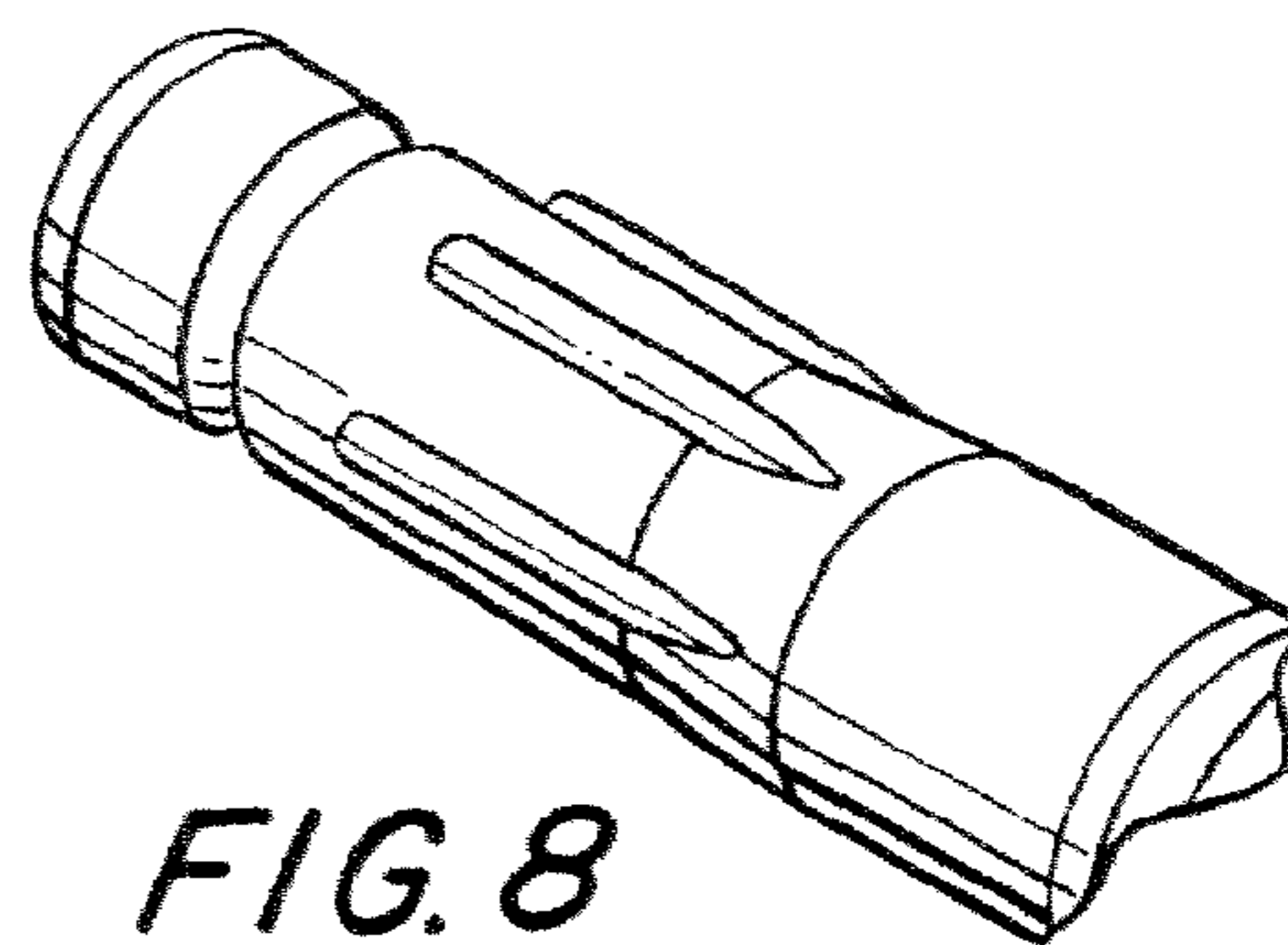


FIG. 8

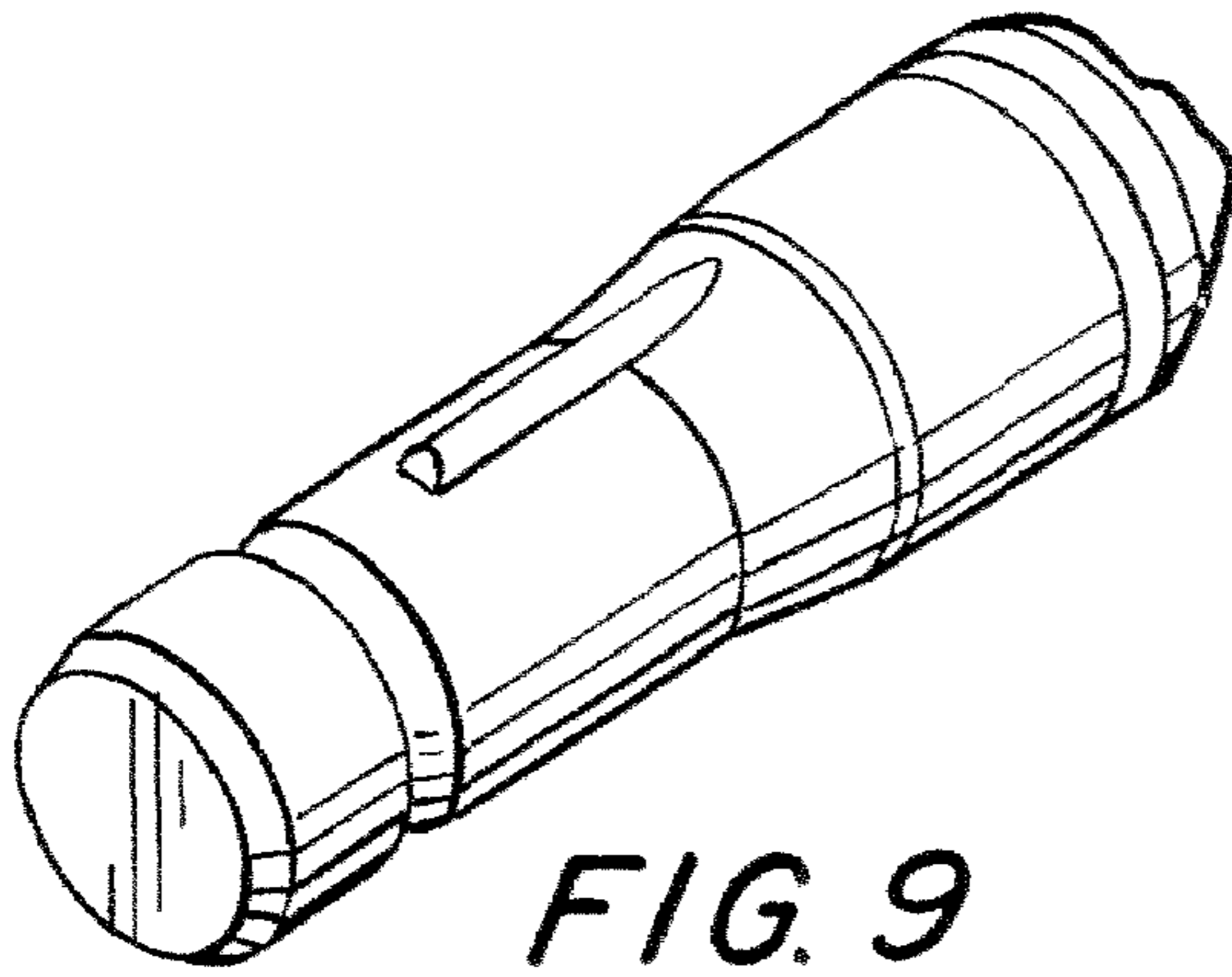


FIG. 9

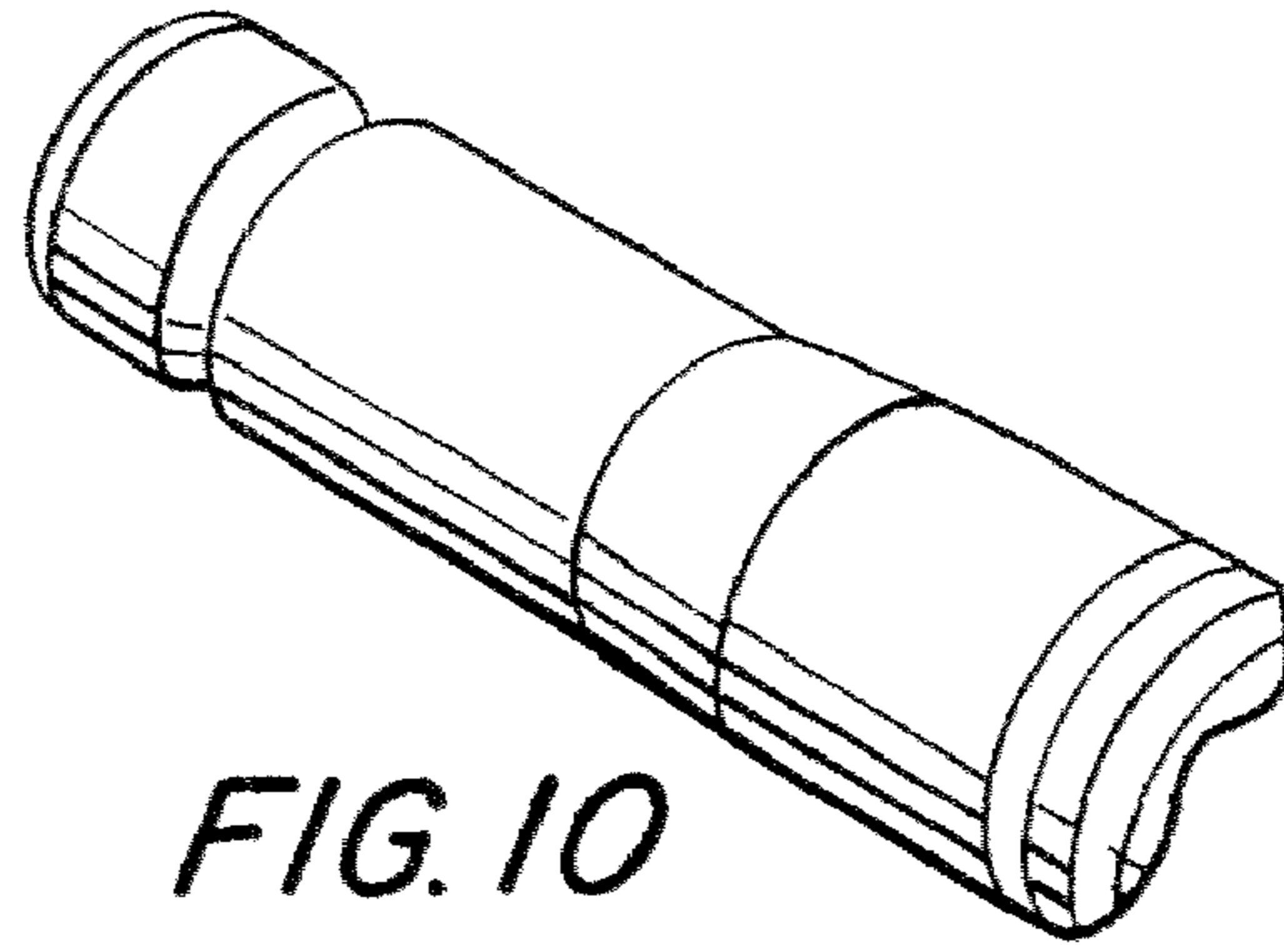


FIG. 10

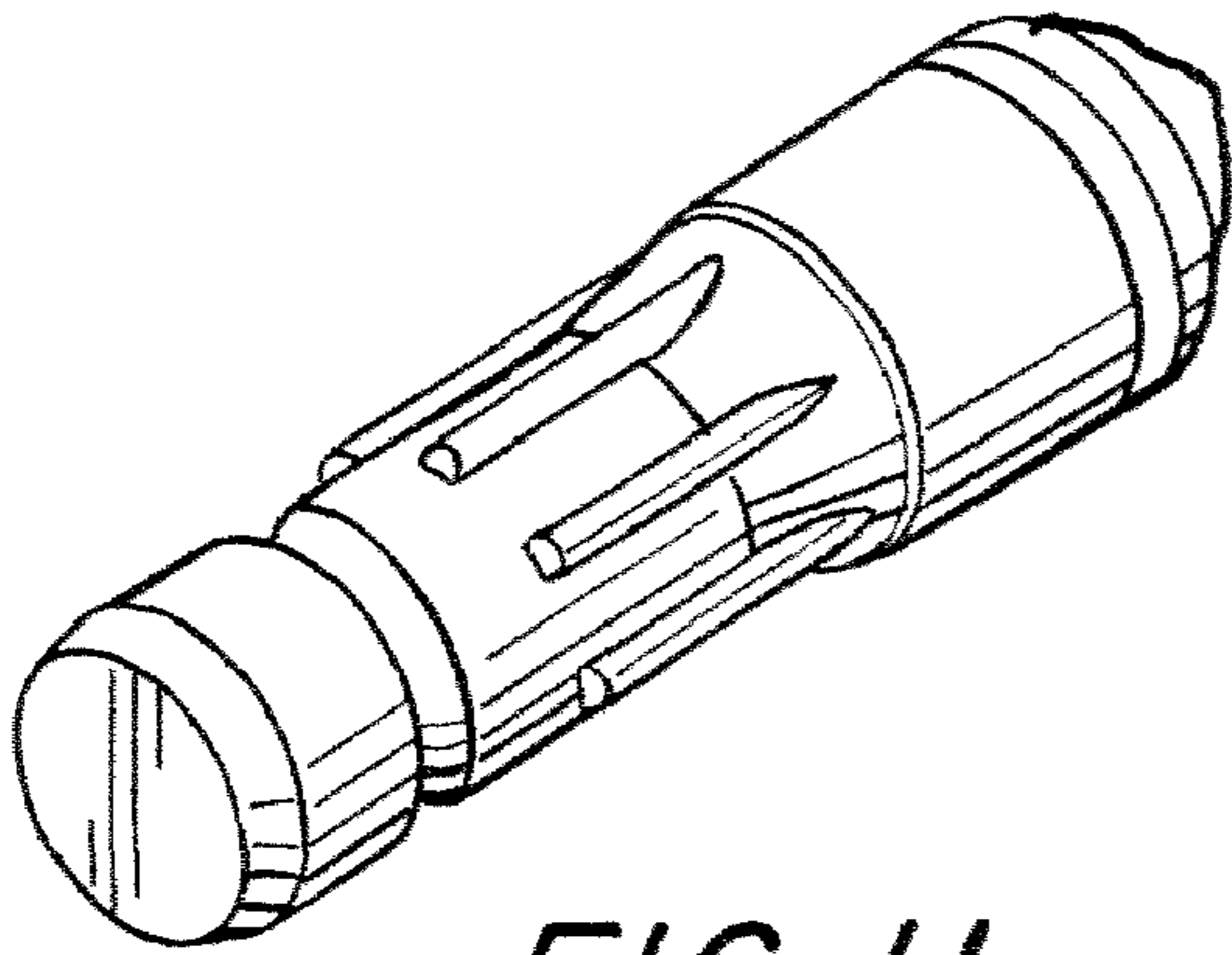


FIG. 11

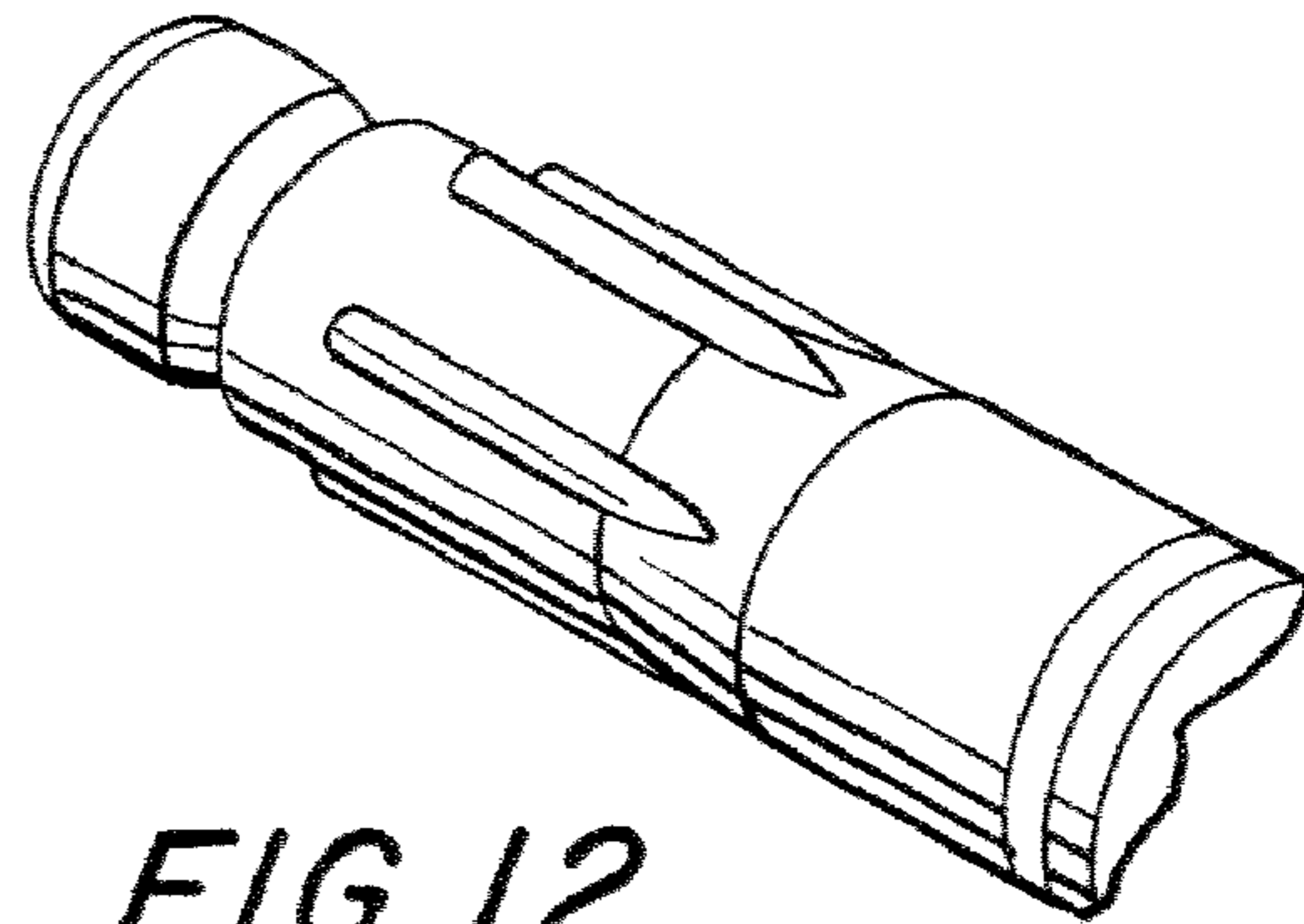


FIG. 12

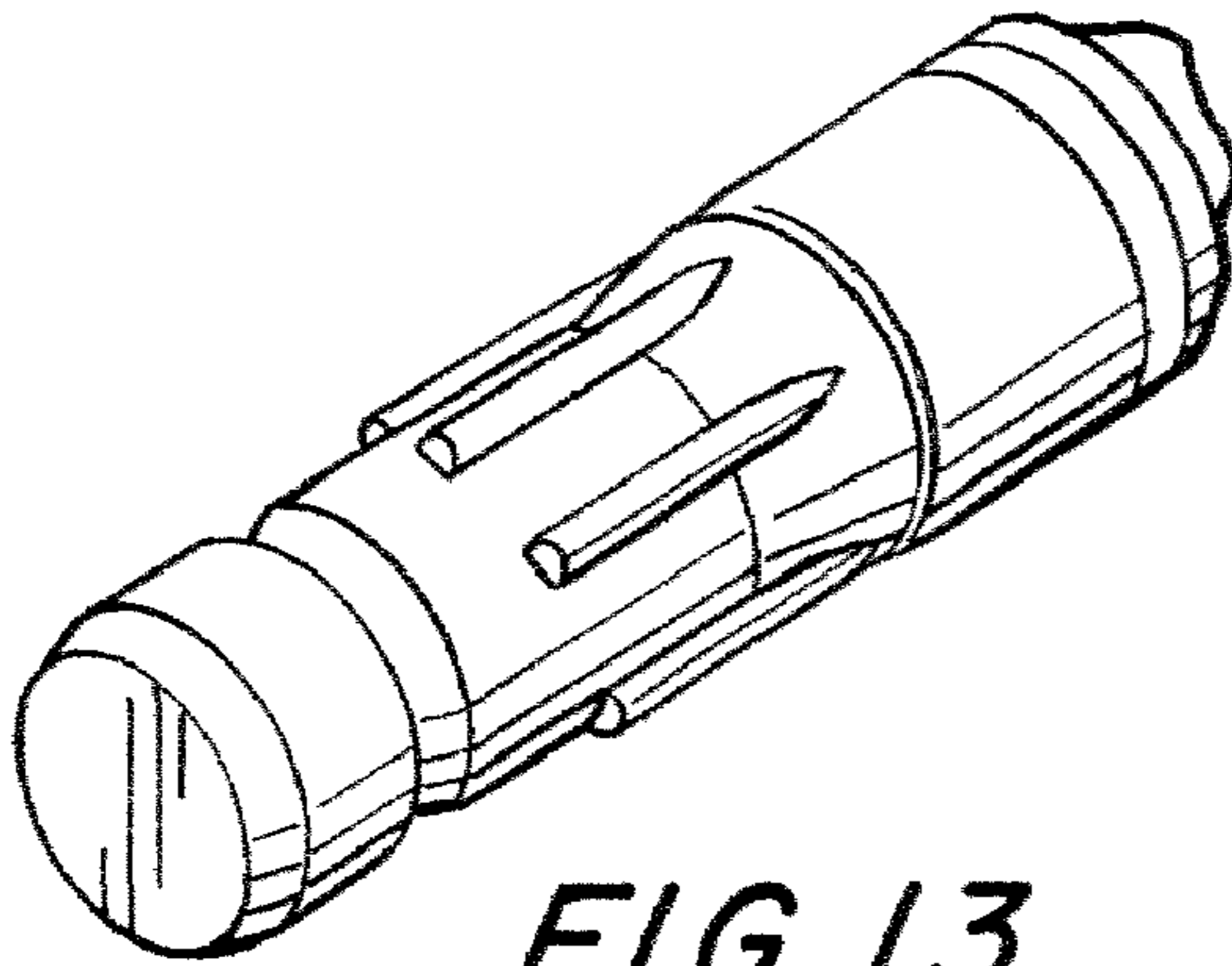


FIG. 13

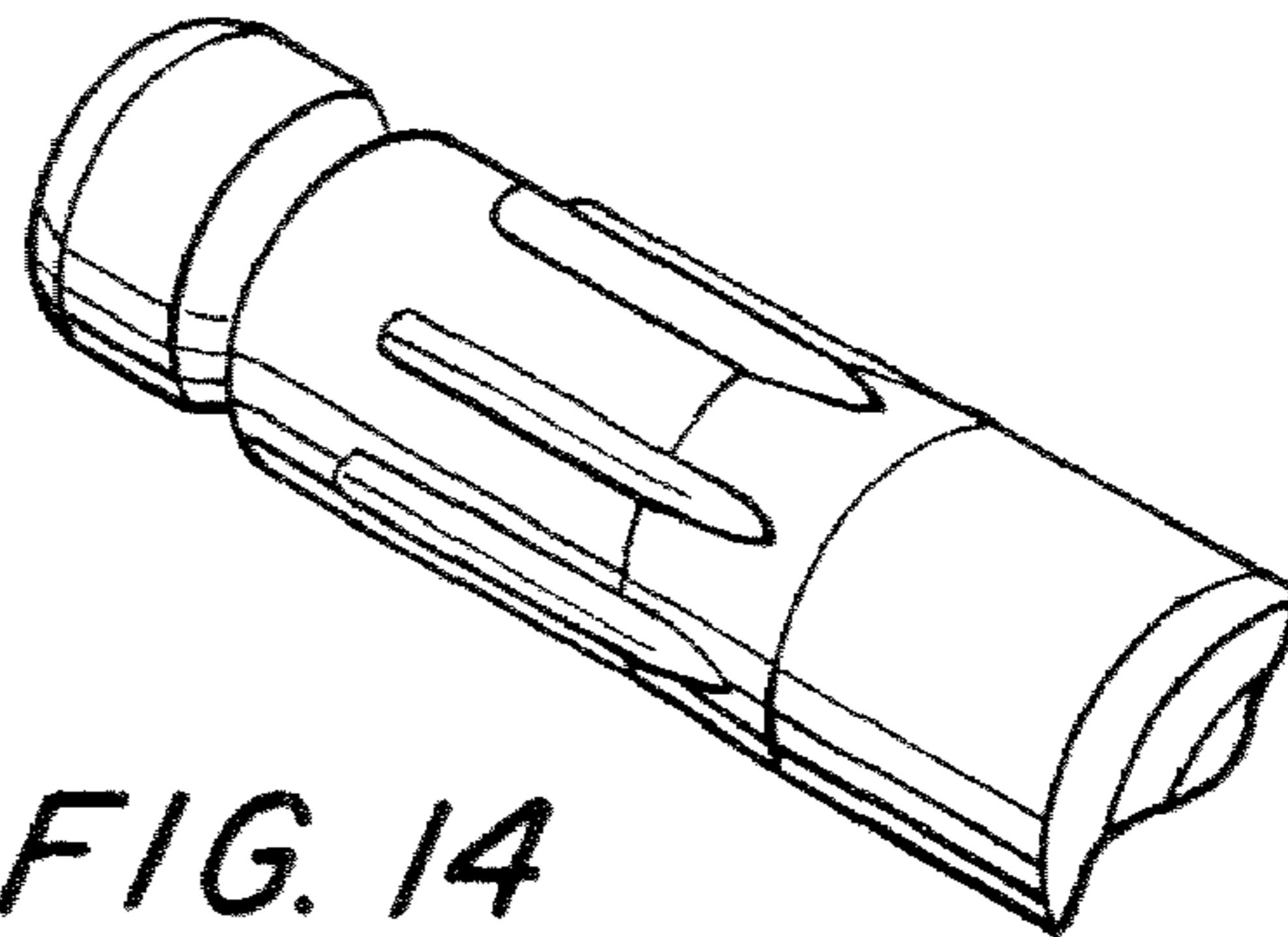


FIG. 14

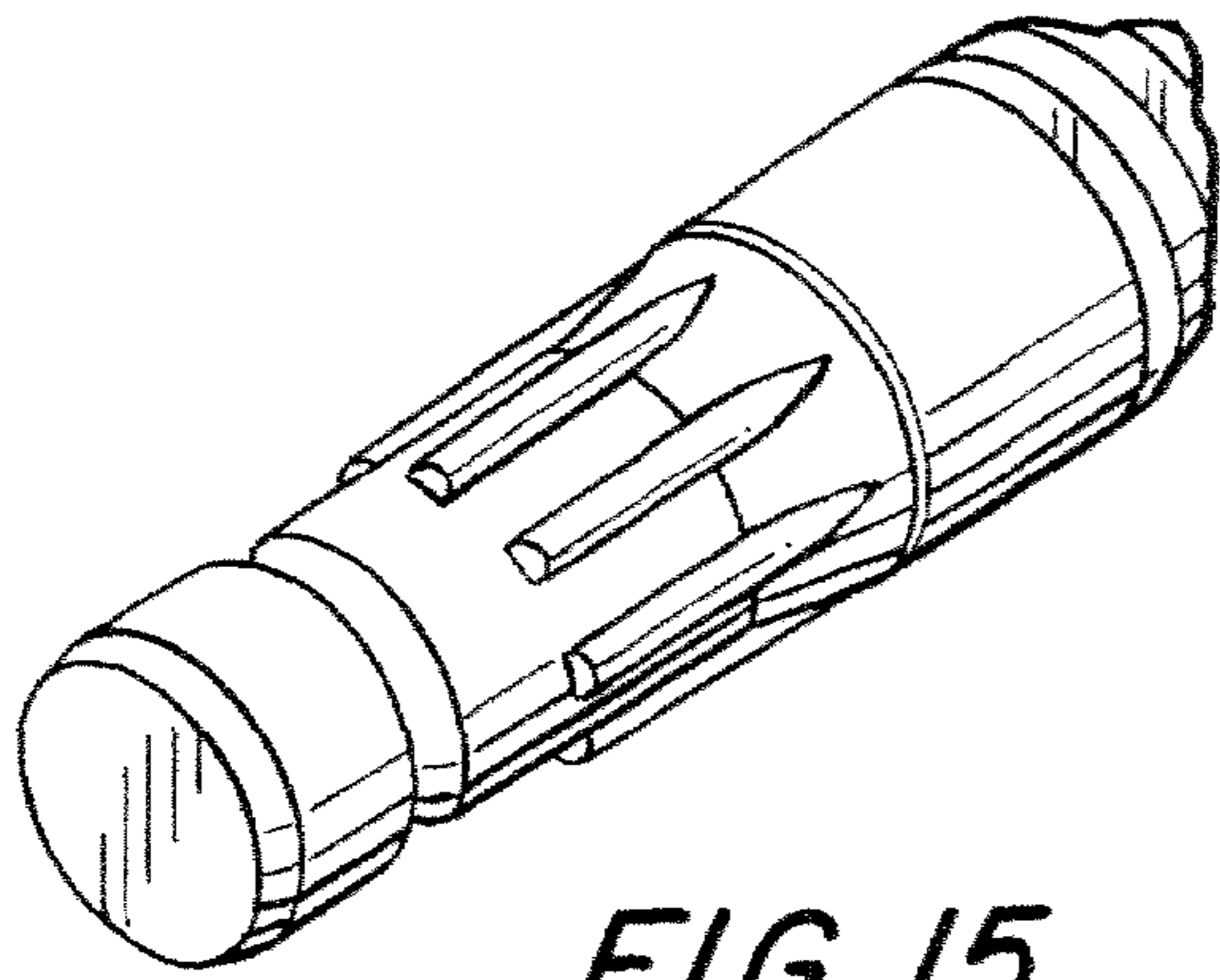


FIG. 15

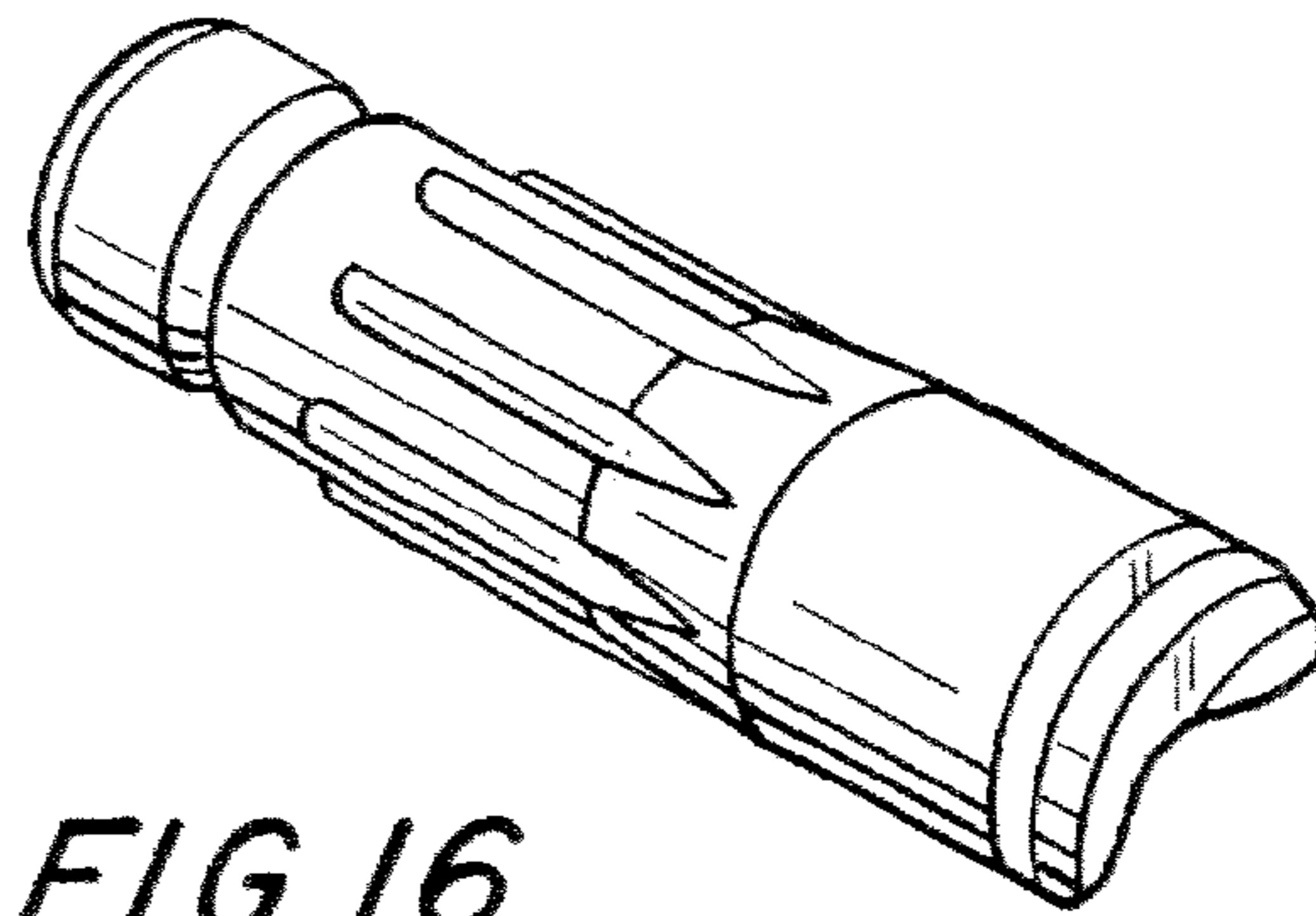


FIG. 16

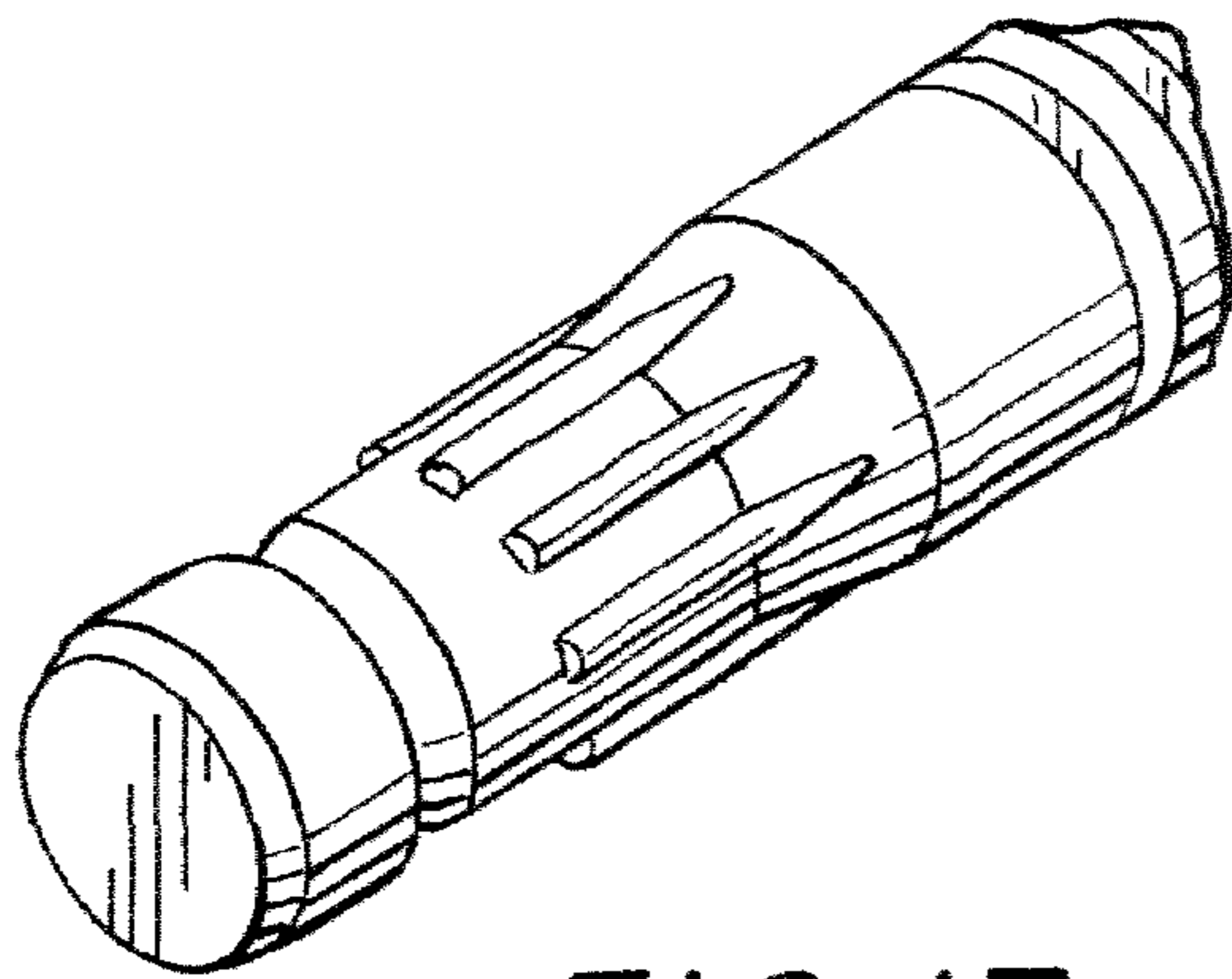


FIG. 17

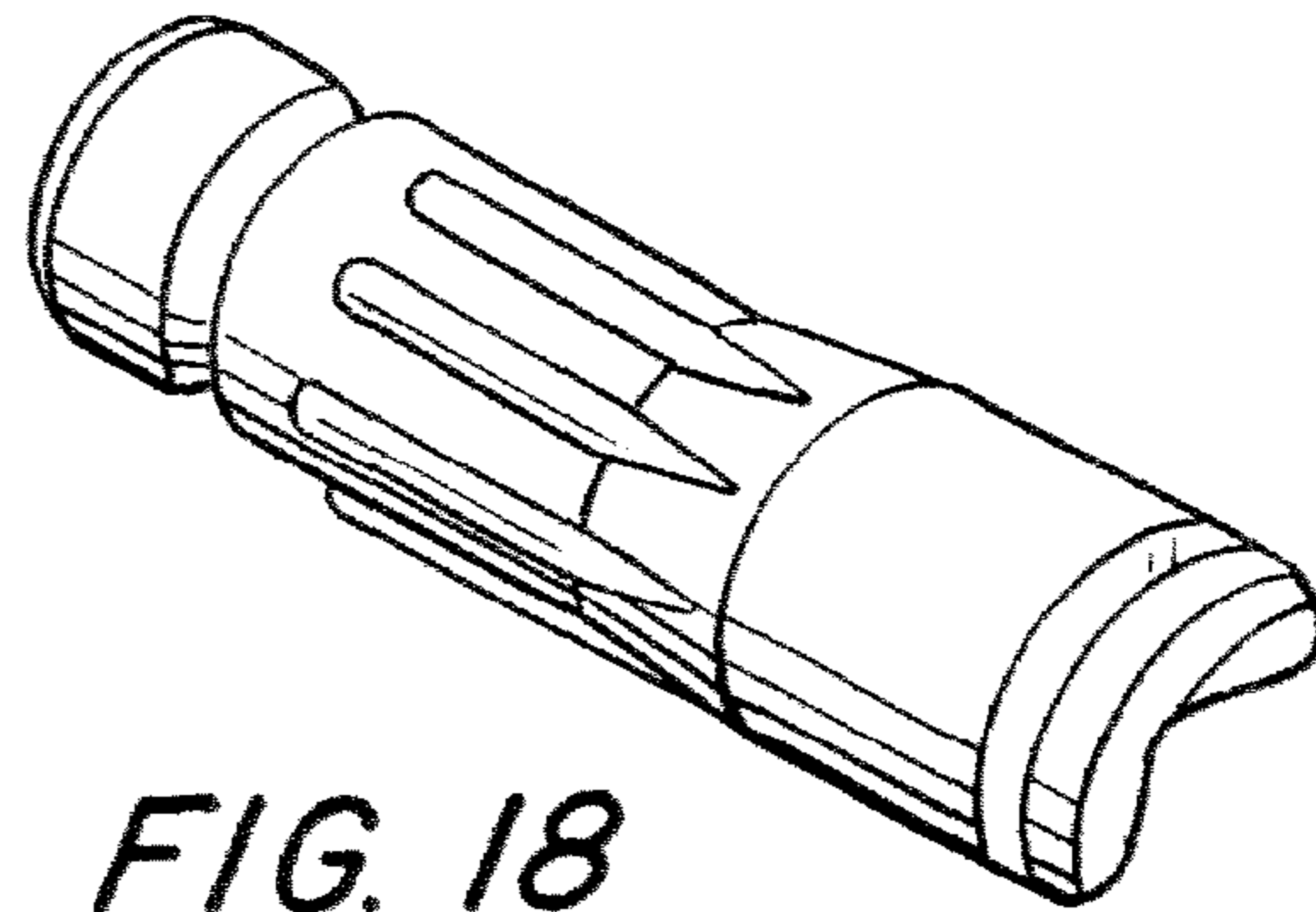


FIG. 18