



US00D565386S

(12) **United States Design Patent**  
**Bladen et al.**

(10) **Patent No.:** **US D565,386 S**

(45) **Date of Patent:** **\*\* \*Apr. 1, 2008**

(54) **THREE-TINE HINGE**

(76) Inventors: **Roy Victor Bladen**, Glenmore Road,  
RD3, Albany (NZ); **Derek John**  
**Englefield**, 20 Rangatira Avenue,  
Auckland (NZ)

(\*\*) Term: **14 Years**

(21) Appl. No.: **29/191,018**

(22) Filed: **Sep. 30, 2003**

(30) **Foreign Application Priority Data**

Apr. 3, 2003 (NZ) ..... 403425

(51) **LOC (8) Cl.** ..... **08-06**

(52) **U.S. Cl.** ..... **D8/323**

(58) **Field of Classification Search** ..... D8/323,  
D8/324, 325, 326, 327, 328, 329, 349, 354,  
D8/356; 16/234-237, 239, 241, 245-246,  
16/249, 254, 261-262, 265, 272, 277, 307,  
16/319, 335, 339, 342, 379, 382, 383, 384,  
16/385-389, 391-392, 221, DIG. 13, DIG. 40,  
16/DIG. 43; 4/236, 237, 238, 239, 240;  
D23/303; 248/200, 221.11, 300, 309.1, 317  
See application file for complete search history.

(56) **References Cited**

**U.S. PATENT DOCUMENTS**

1,648,249 A \* 11/1927 Winters et al. .... 16/221  
D75,537 S \* 6/1928 Winters et al. .... D8/329  
1,710,321 A \* 4/1929 Roedding ..... 16/389  
1,832,902 A \* 11/1931 Holbrook ..... 16/392  
D99,756 S \* 5/1936 Atwood ..... D8/323  
3,231,929 A \* 2/1966 Hiltunen et al. .... D8/323

3,252,179 A \* 5/1966 Watson ..... 16/389  
D385,475 S \* 10/1997 Bolinas et al. .... D8/328  
D413,505 S \* 9/1999 Perkins et al. .... D8/323  
D418,736 S \* 1/2000 Perkins et al. .... D8/328  
6,070,294 A \* 6/2000 Perkins et al. .... 16/382  
6,704,966 B1 \* 3/2004 Kao ..... 16/382  
D541,622 S \* 5/2007 Bell et al. .... D8/323

\* cited by examiner

*Primary Examiner*—T. Chase Nelson

(74) *Attorney, Agent, or Firm*—Christensen O'Connor  
Johnson Kindness PLLC

(57) **CLAIM**

The ornamental design for a three-tine hinge, as shown and  
described.

**DESCRIPTION**

FIG. 1 is a top planar view of a three-tine hinge;

FIG. 2 is a bottom, planar view of the three-tine hinge of  
FIG. 1;

FIG. 3 is a first side, planar view of the three-tine hinge of  
FIG. 1;

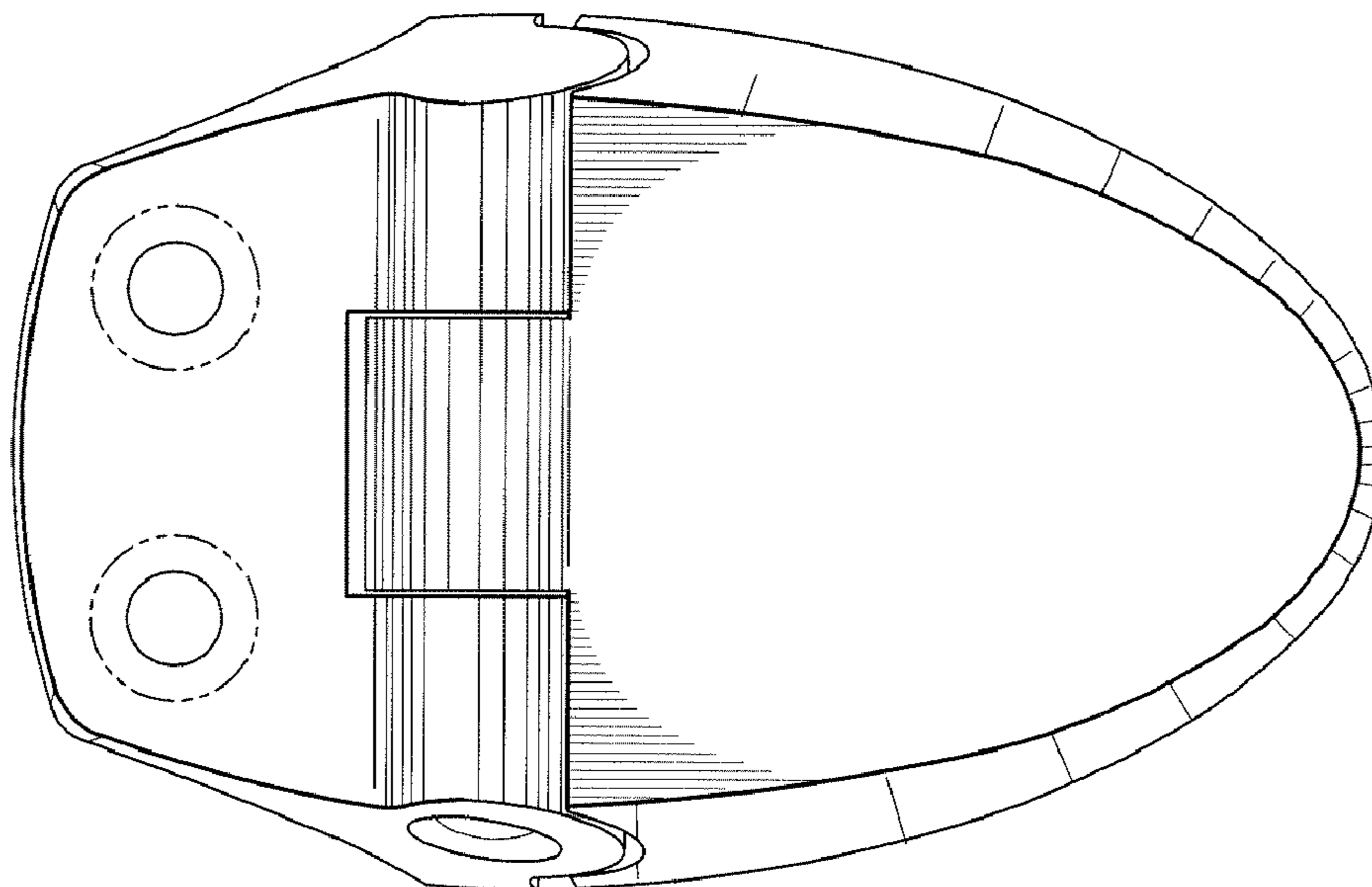
FIG. 4 is a second side, planar view of the three-tine hinge  
of FIG. 1;

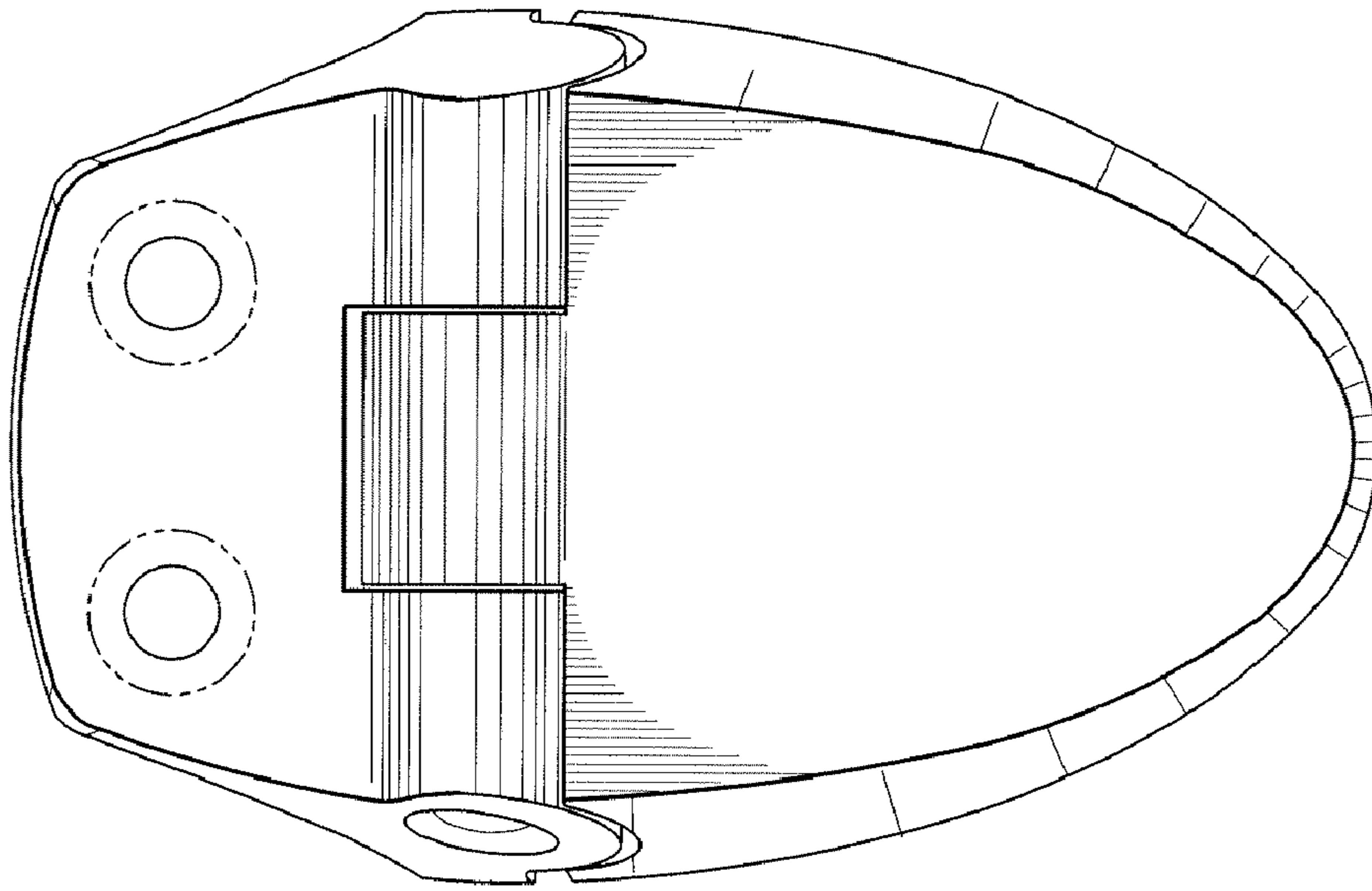
FIG. 5 is a first end, planar view of the three-tine hinge of  
FIG. 1; and,

FIG. 6 is a second end, planar view of the three-tine hinge  
of FIG. 1.

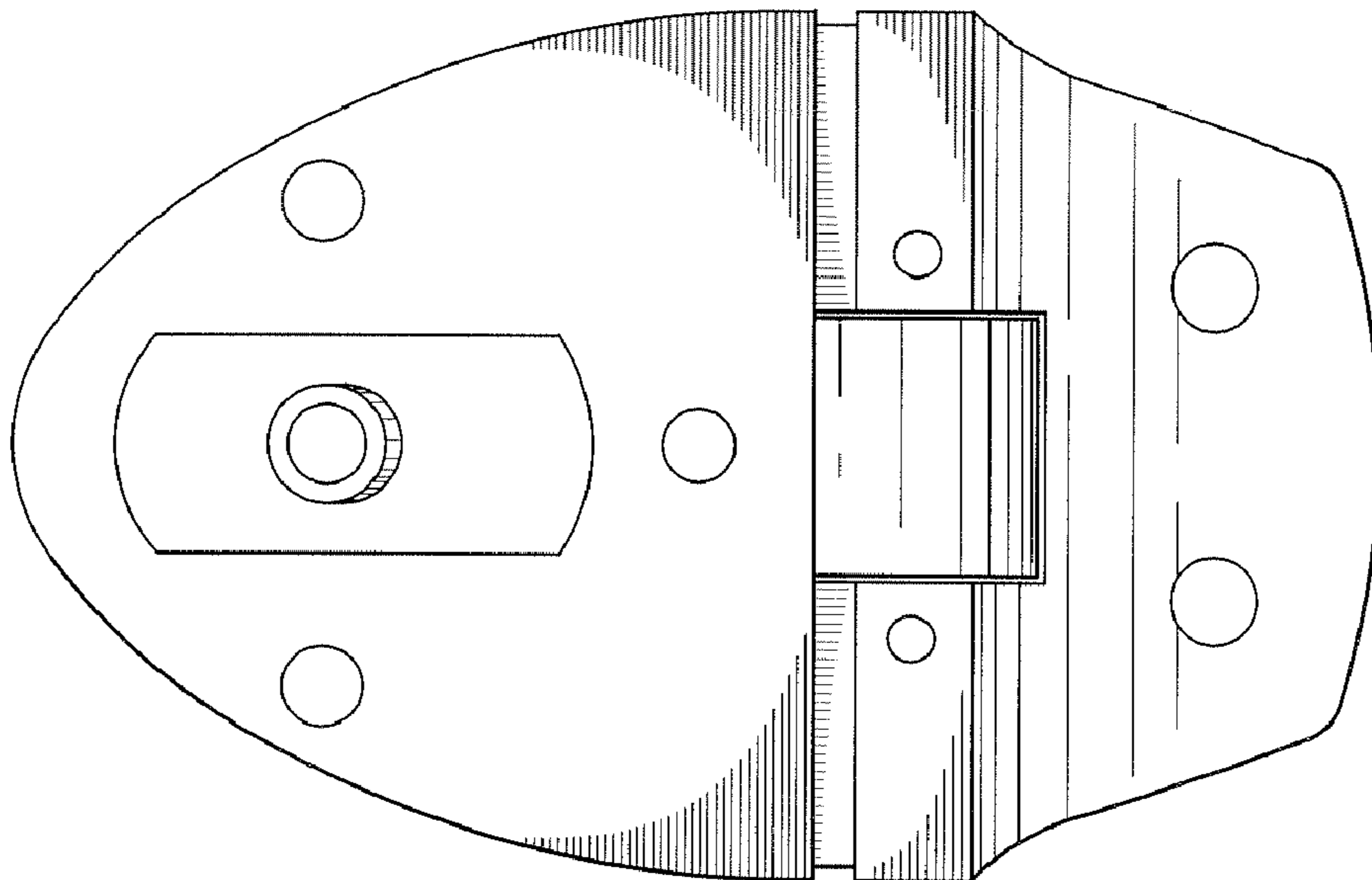
The broken line depiction of portions of the three-tine hinge  
is for illustrative purposes only and forms no part of the  
claimed design.

**1 Claim, 3 Drawing Sheets**

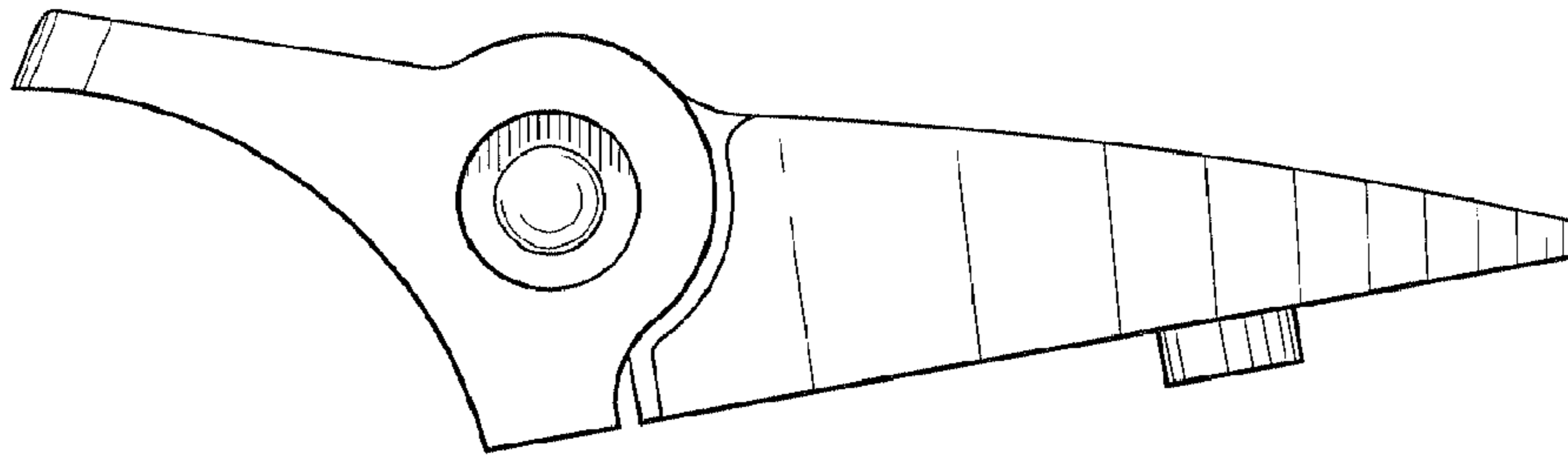




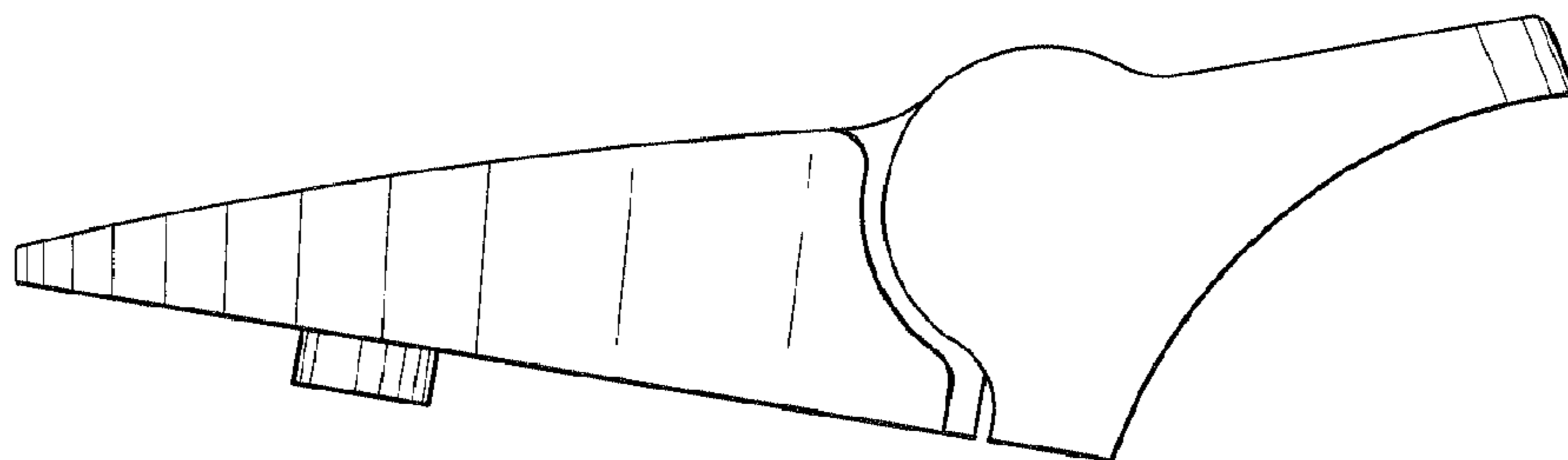
*Fig. 1.*



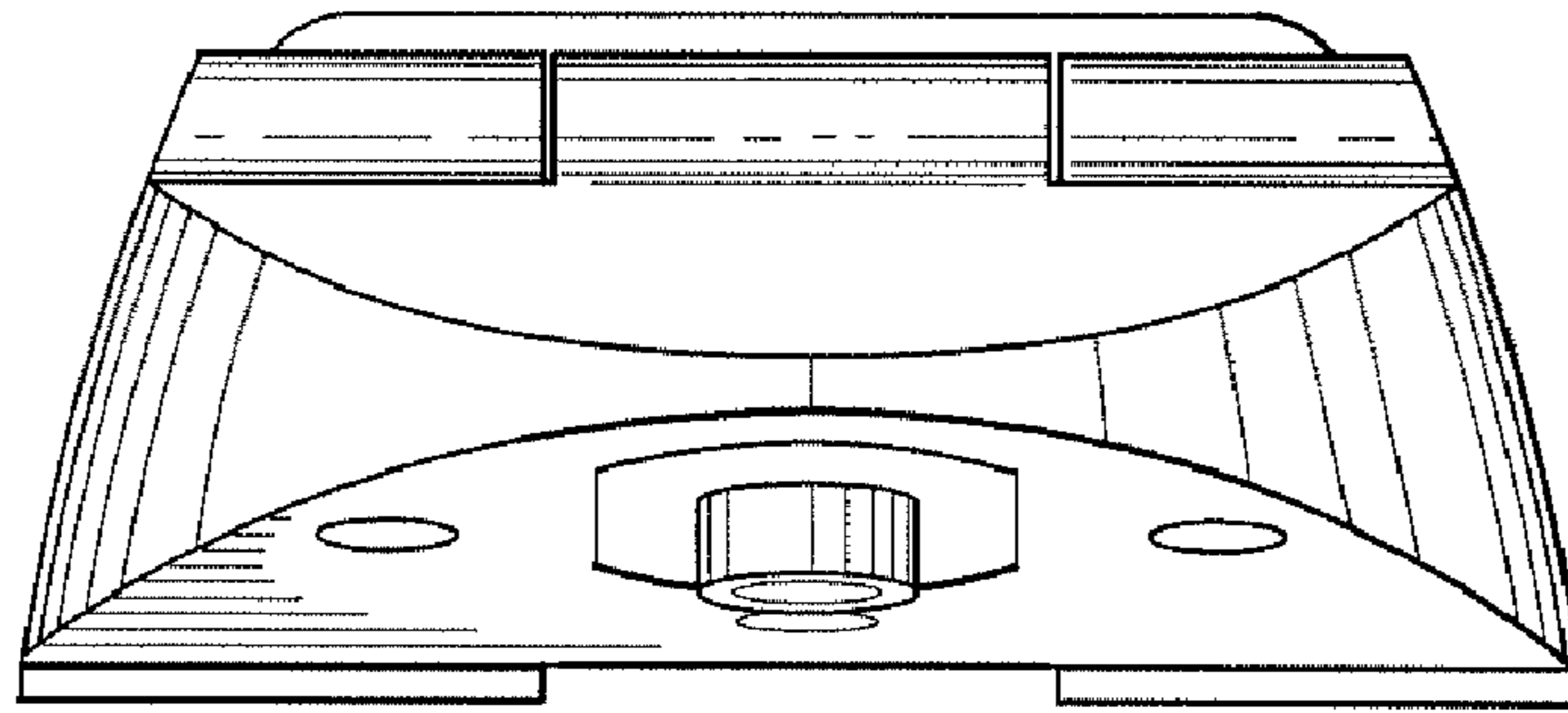
*Fig. 2.*



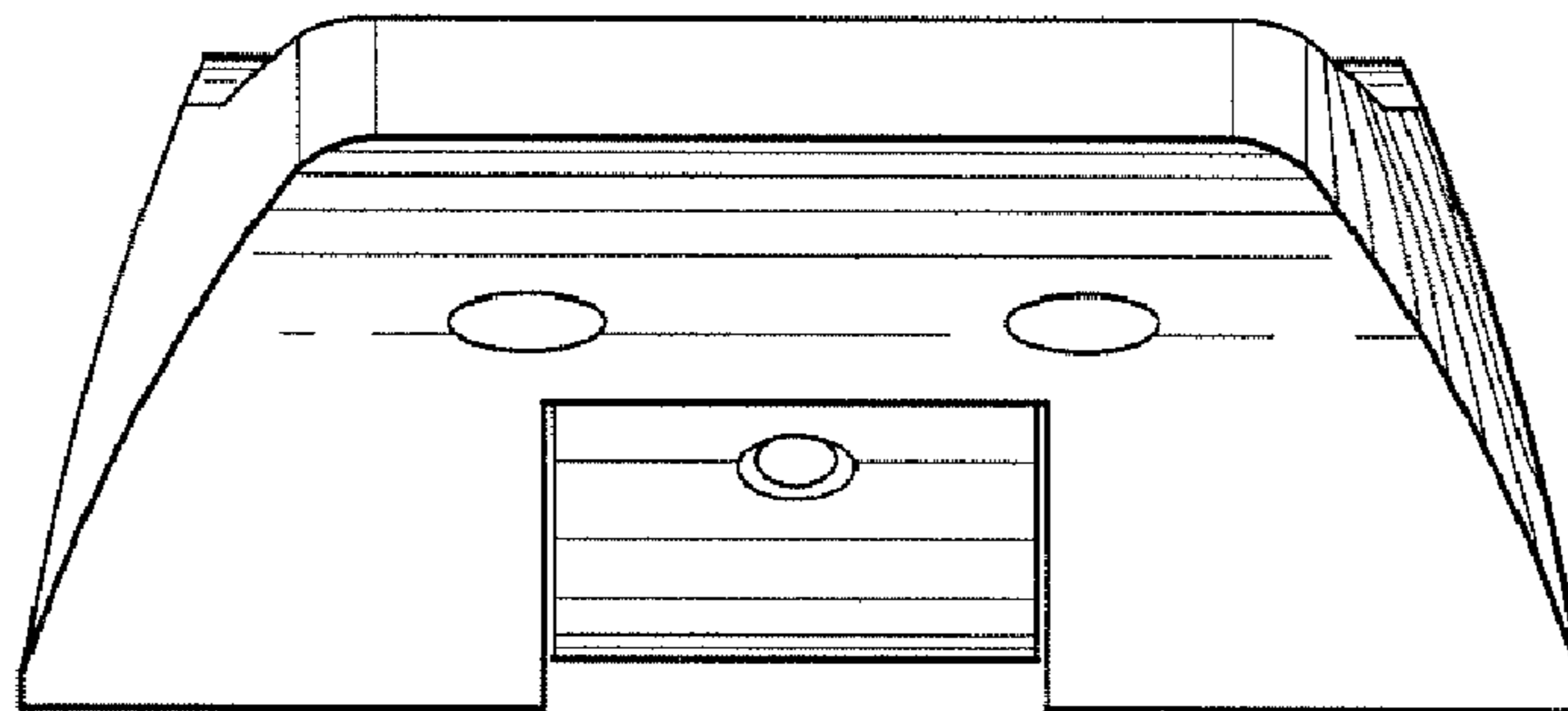
*Fig. 3.*



*Fig. 4.*



*Fig. 5.*



*Fig. 6.*