

US00D565382S

(12) **United States Design Patent**
Watanabe

(10) **Patent No.:** **US D565,382 S**

(45) **Date of Patent:** **** Apr. 1, 2008**

(54) **UTILITY KNIFE**

D528,896 S * 9/2006 Chong D8/99

(75) Inventor: **Toshiyuki Watanabe**, Uji (JP)

OTHER PUBLICATIONS

(73) Assignee: **Olfa Corporation** (JP)

OLFA Catalogue, p. 16, item 108B, and p. 24, item 149B, 2005, Japan.

(**) Term: **14 Years**

* cited by examiner

(21) Appl. No.: **29/269,770**

Primary Examiner—Philip S. Hyder

(22) Filed: **Dec. 7, 2006**

(74) *Attorney, Agent, or Firm*—SAIDMAN DesignLaw Group

(51) **LOC (8) Cl.** **08-03**

(57) **CLAIM**

(52) **U.S. Cl.** **D8/99**

The ornamental design for a utility knife, as shown and described.

(58) **Field of Classification Search** D8/98,
D8/99, 105, 107; 30/320, 329, 337, 161,
30/162, 2

See application file for complete search history.

DESCRIPTION

(56) **References Cited**

FIG. 1 is a perspective view of a utility knife showing my new design;

U.S. PATENT DOCUMENTS

FIG. 2 is a perspective view thereof, wherein the blade is extended;

D258,043 S *	1/1981	Gregoire	D8/99
D264,804 S *	6/1982	Machida	D8/99
D392,173 S *	3/1998	Okada	D8/99
D412,654 S *	8/1999	Gilbert et al.	D8/99
D412,655 S *	8/1999	Gilbert et al.	D8/99
D458,106 S *	6/2002	Chong	D8/99
D459,189 S *	6/2002	Chong	D8/99
D464,245 S *	10/2002	Jacquet	D8/99
D513,957 S *	1/2006	Thirouin	D8/99
D523,316 S *	6/2006	Kondo et al.	D8/99

FIG. 3 is a front view thereof;

FIG. 4 is a rear view thereof;

FIG. 5 is a top plan view thereof;

FIG. 6 is a bottom plan view thereof;

FIG. 7 is a left end view thereof; and,

FIG. 8 is a right end view thereof.

1 Claim, 6 Drawing Sheets

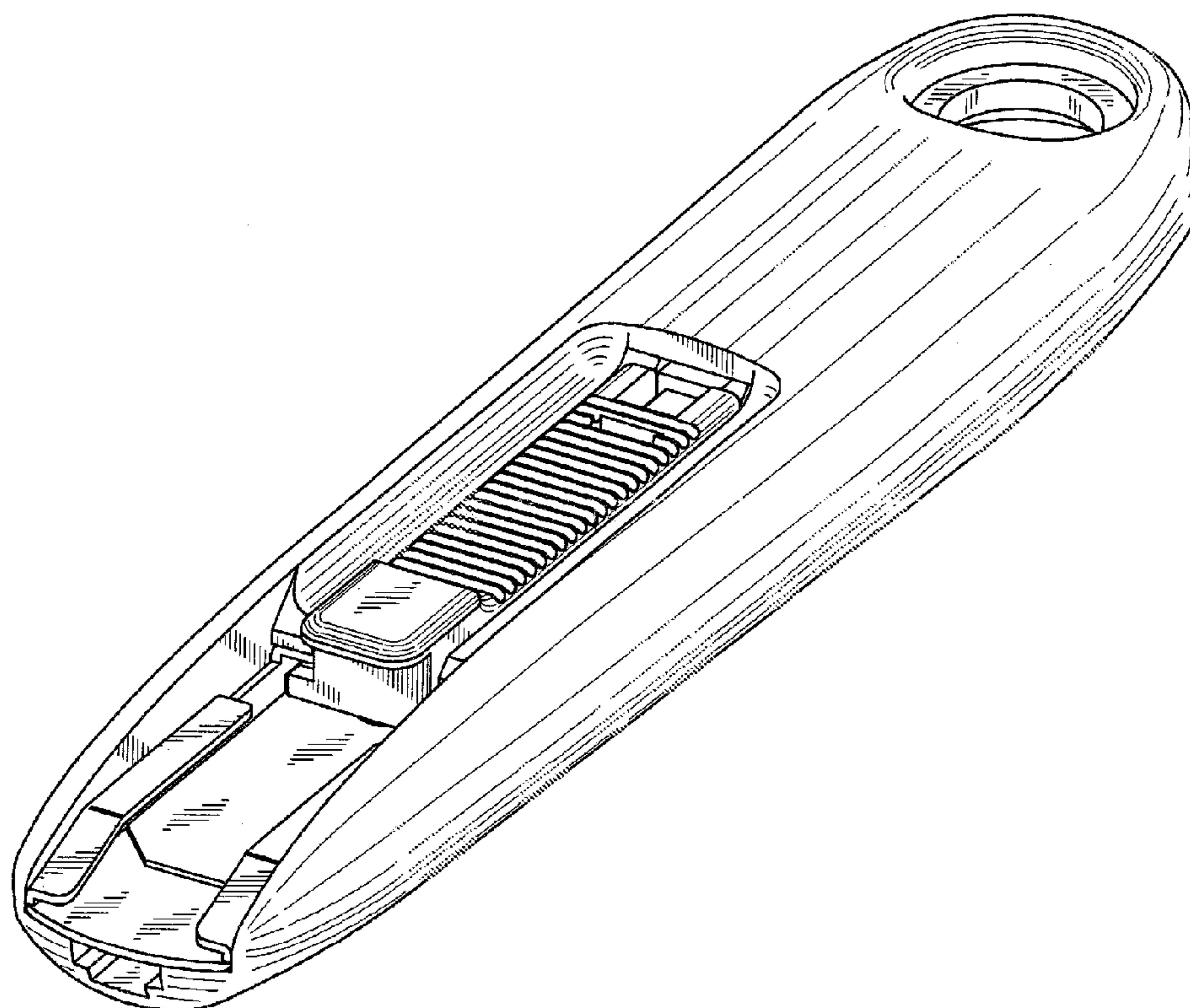


Fig. 1

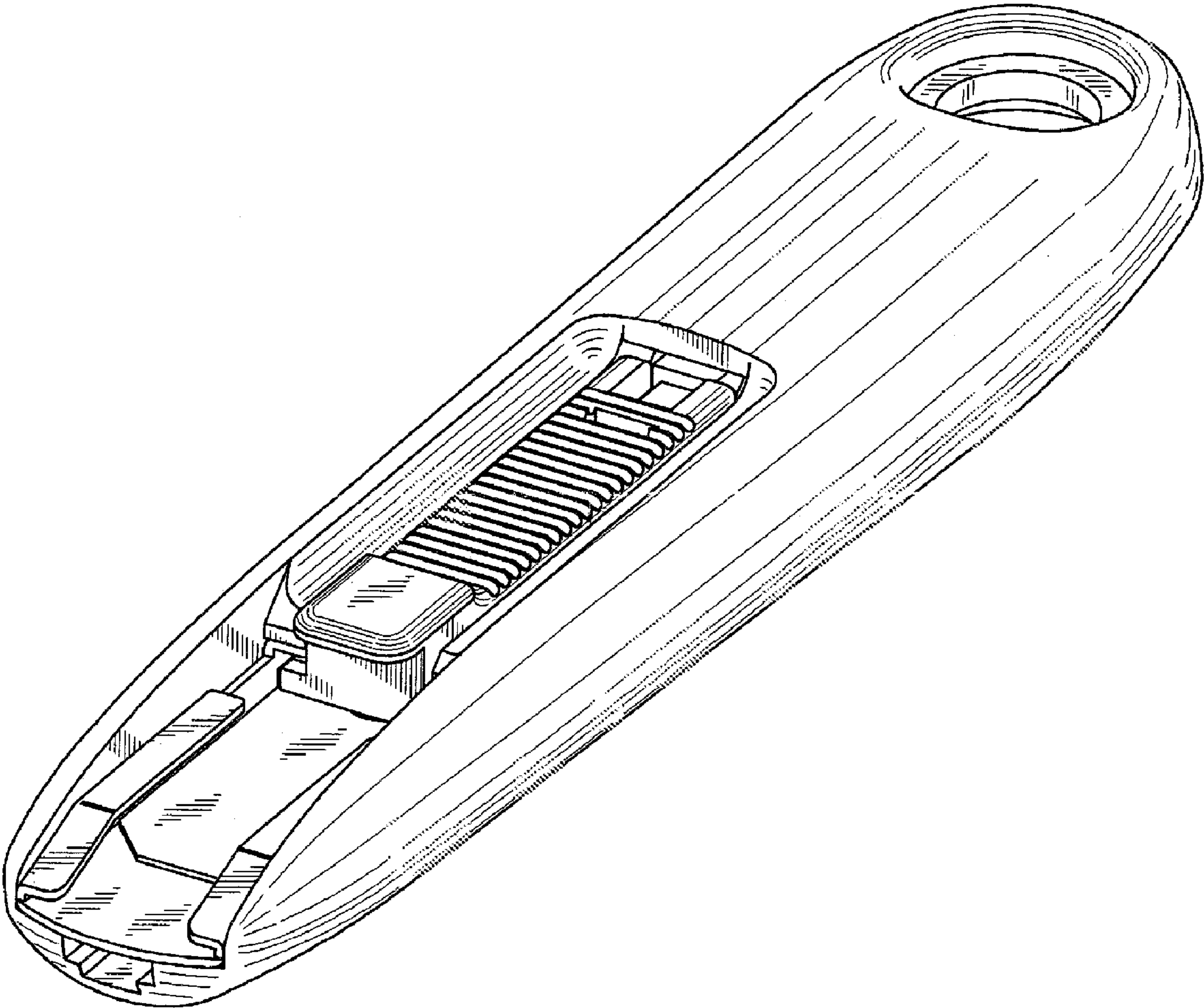
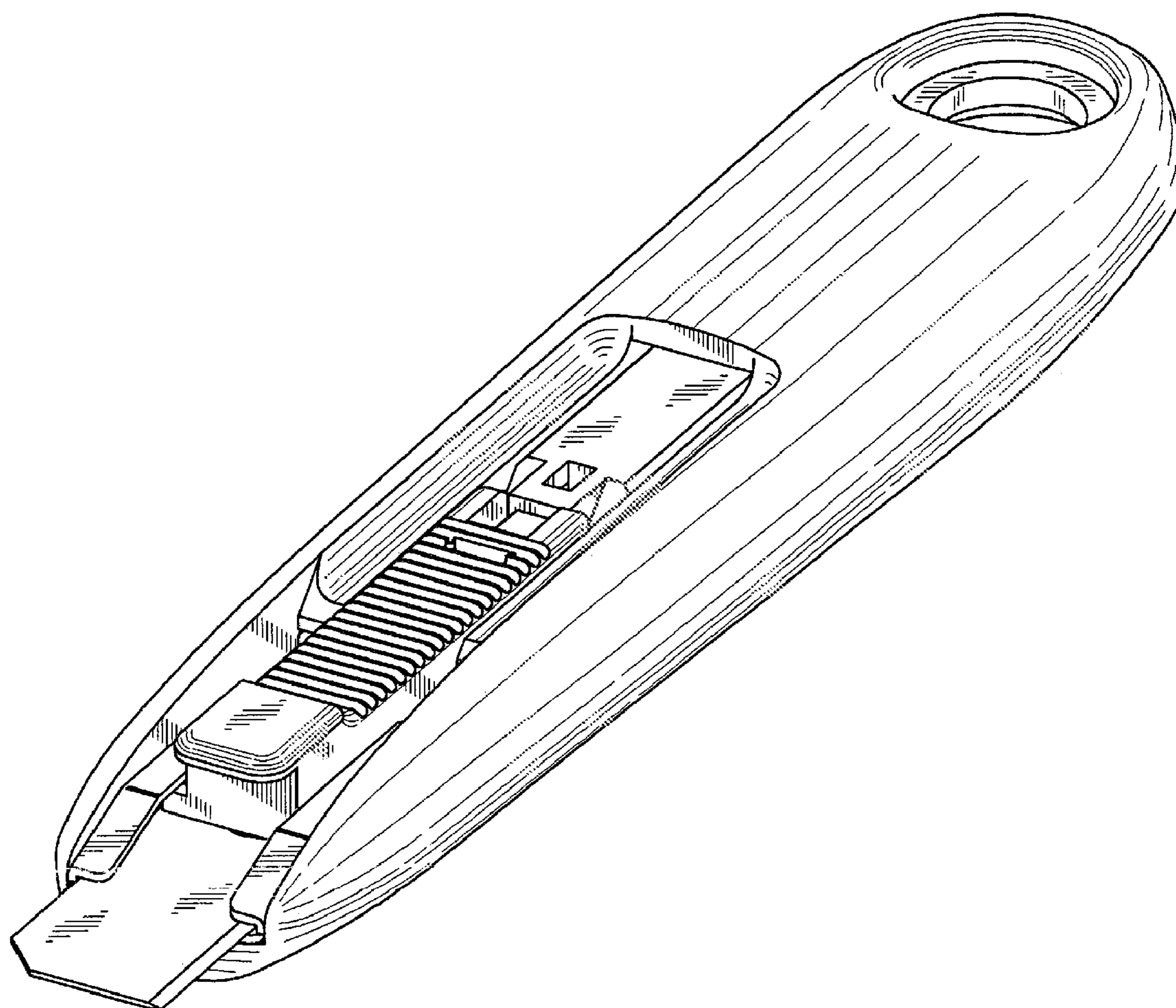


Fig. 2



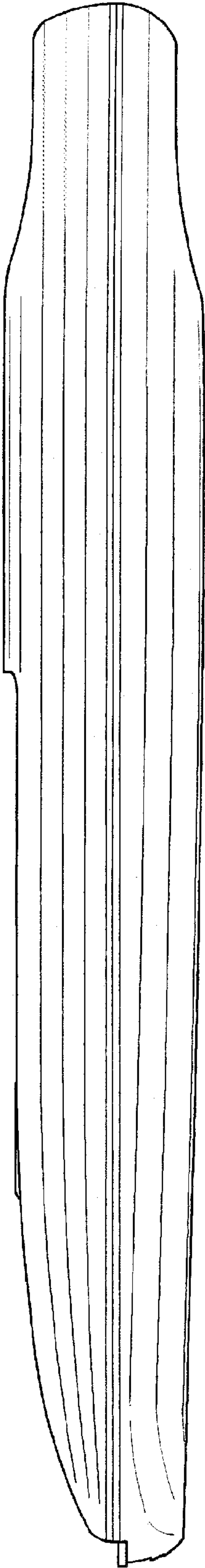


Fig. 3

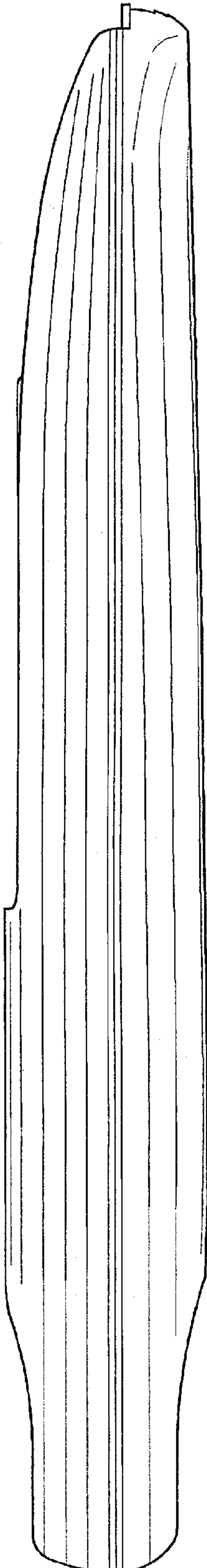


Fig. 4

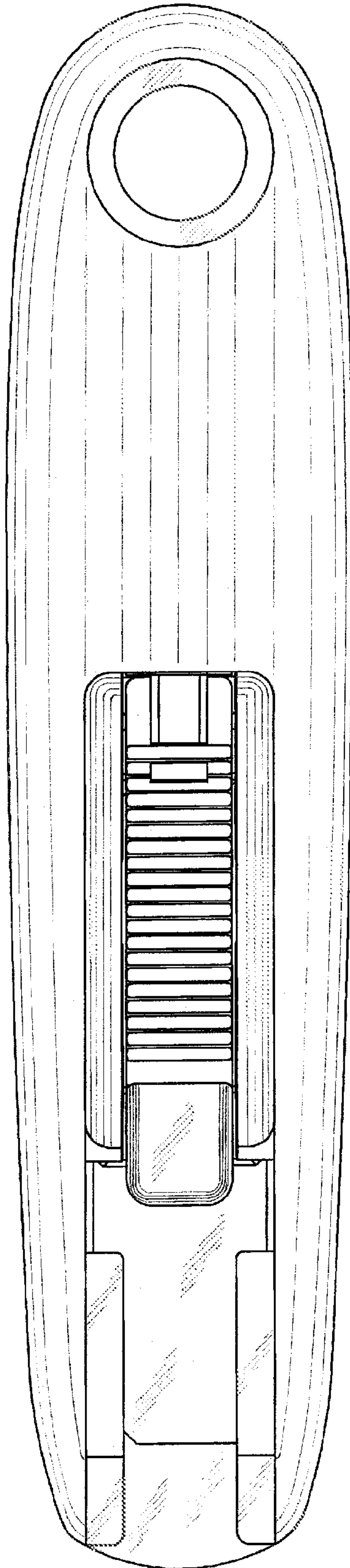


Fig. 5

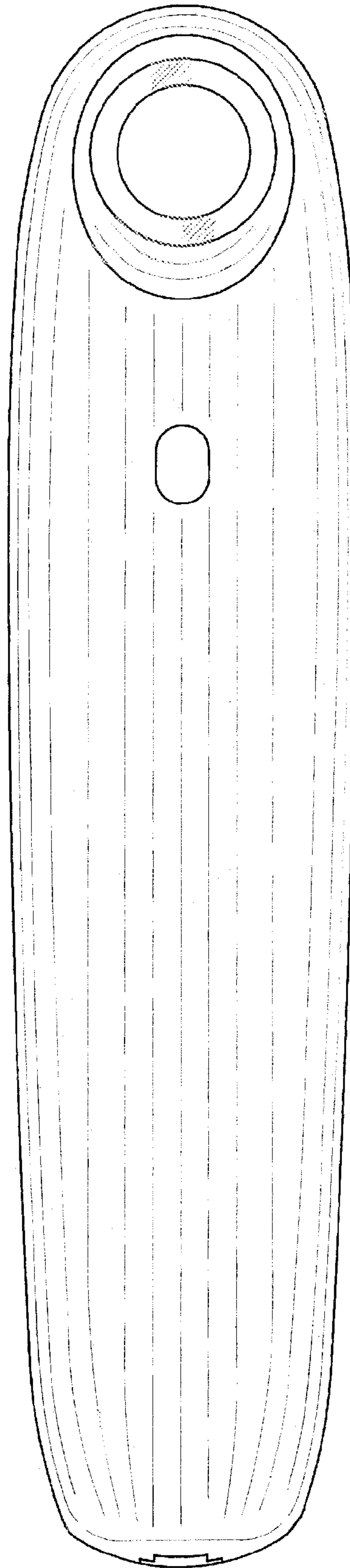


Fig. 6

Fig. 8

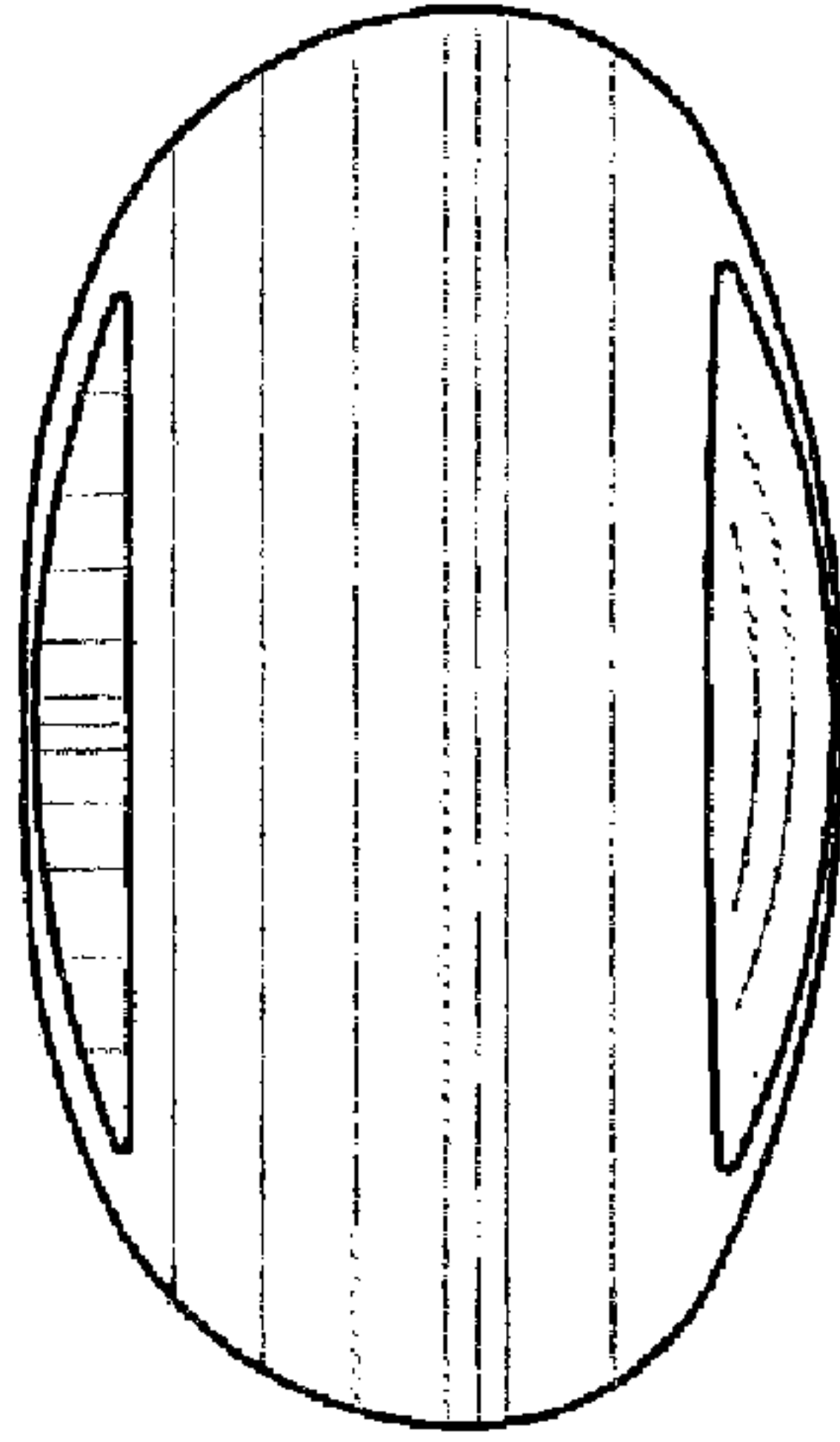


Fig. 7

