

US00D565379S

(12) **United States Design Patent**  
**Williams et al.**

(10) **Patent No.:** **US D565,379 S**  
(45) **Date of Patent:** **\*\* Apr. 1, 2008**

(54) **SCREWDRIVER HANDLE**

(75) Inventors: **Ellis Williams**, Colorado Springs, CO (US); **Richard Farah**, deceased, late of Sedalia, CO (US); by **Laura S. Farah**, legal representative, Sedalia, CO (US)

(73) Assignee: **W Forge Holdings, Inc.**, Colorado Springs, CO (US)

(\*\*) Term: **14 Years**

(21) Appl. No.: **29/210,667**

(22) Filed: **Aug. 4, 2004**

(51) **LOC (8) Cl.** ..... **08-04**

(52) **U.S. Cl.** ..... **D8/83**

(58) **Field of Classification Search** ..... D3/18-28;  
D4/129, 138; D7/671; D8/14, 75, 82-87,  
D8/107, 303, 52-56, 95, 98, 99; D24/147;  
16/436, 421-422, 110.1, 426-431; 30/295,  
30/291, 283; 74/551.9; 81/117.1-177.7,  
81/436, 439-440, 41, 20-23, 488

See application file for complete search history.

(56) **References Cited**

**U.S. PATENT DOCUMENTS**

D363,012 S \* 10/1995 Humphries ..... D8/87  
D383,660 S \* 9/1997 Anderson ..... D8/83  
D412,096 S \* 7/1999 Kung et al. .... D8/87  
D452,423 S \* 12/2001 Shimansky ..... D8/83  
D465,715 S \* 11/2002 Chiang ..... D8/107

D487,690 S \* 3/2004 Hu ..... D8/83  
D513,378 S \* 1/2006 Lin ..... D8/83  
D531,005 S \* 10/2006 Chang ..... D8/107  
D553,464 S \* 10/2007 Rinner ..... D8/83

\* cited by examiner

*Primary Examiner*—Cathron Brooks

*Assistant Examiner*—Barbara Fox

(57) **CLAIM**

The ornamental design for a screwdriver handle, as shown and described.

**DESCRIPTION**

FIG. 1 depicts a perspective view of a screwdriver handle showing our new design.

FIG. 2 depicts a top view of the screwdriver handle. The bottom view is identical to the top view.

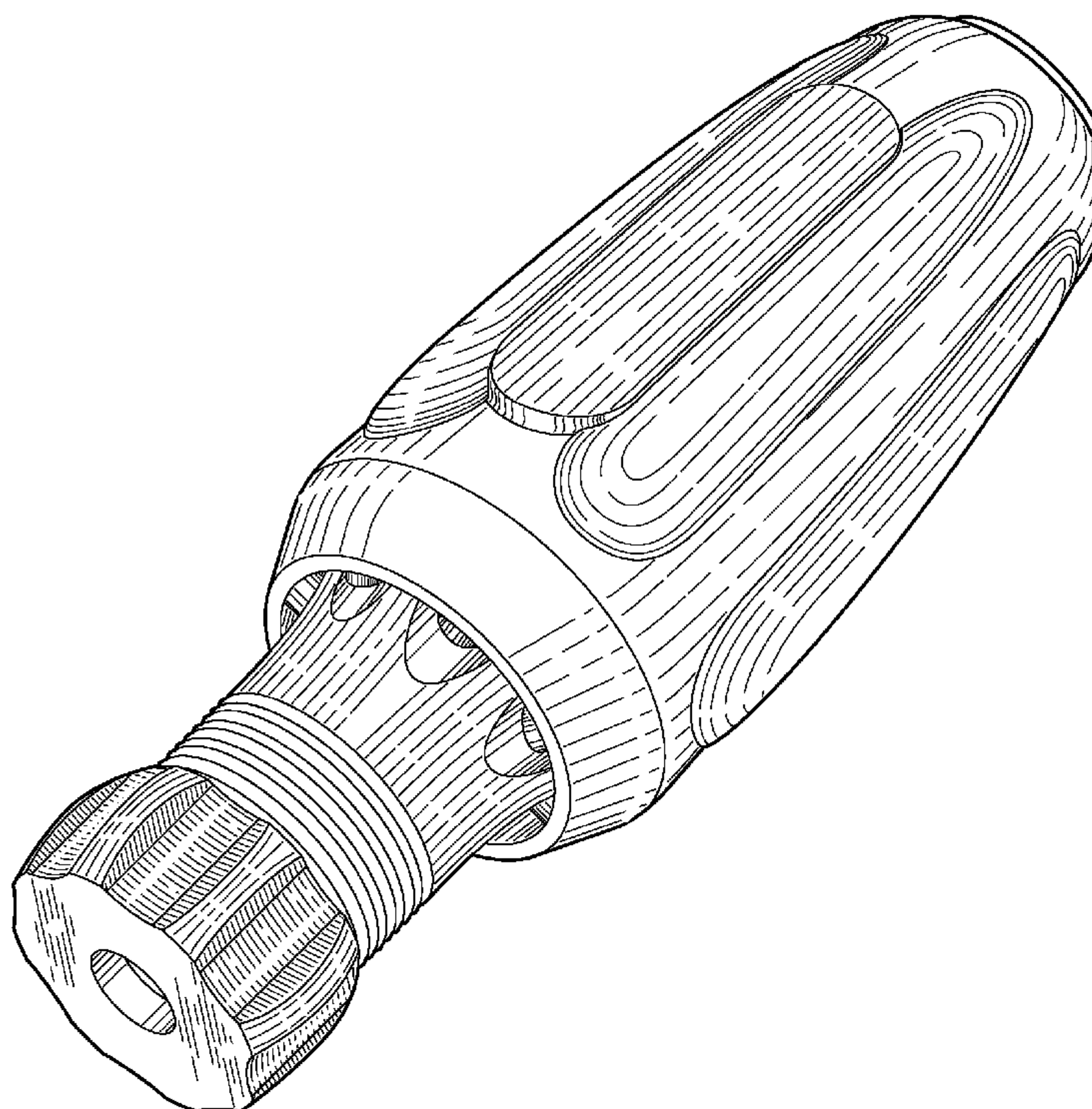
FIG. 3 depicts a left side view of the screwdriver handle, i.e., rotated axially 90° counterclockwise relative to the view in FIG. 2.

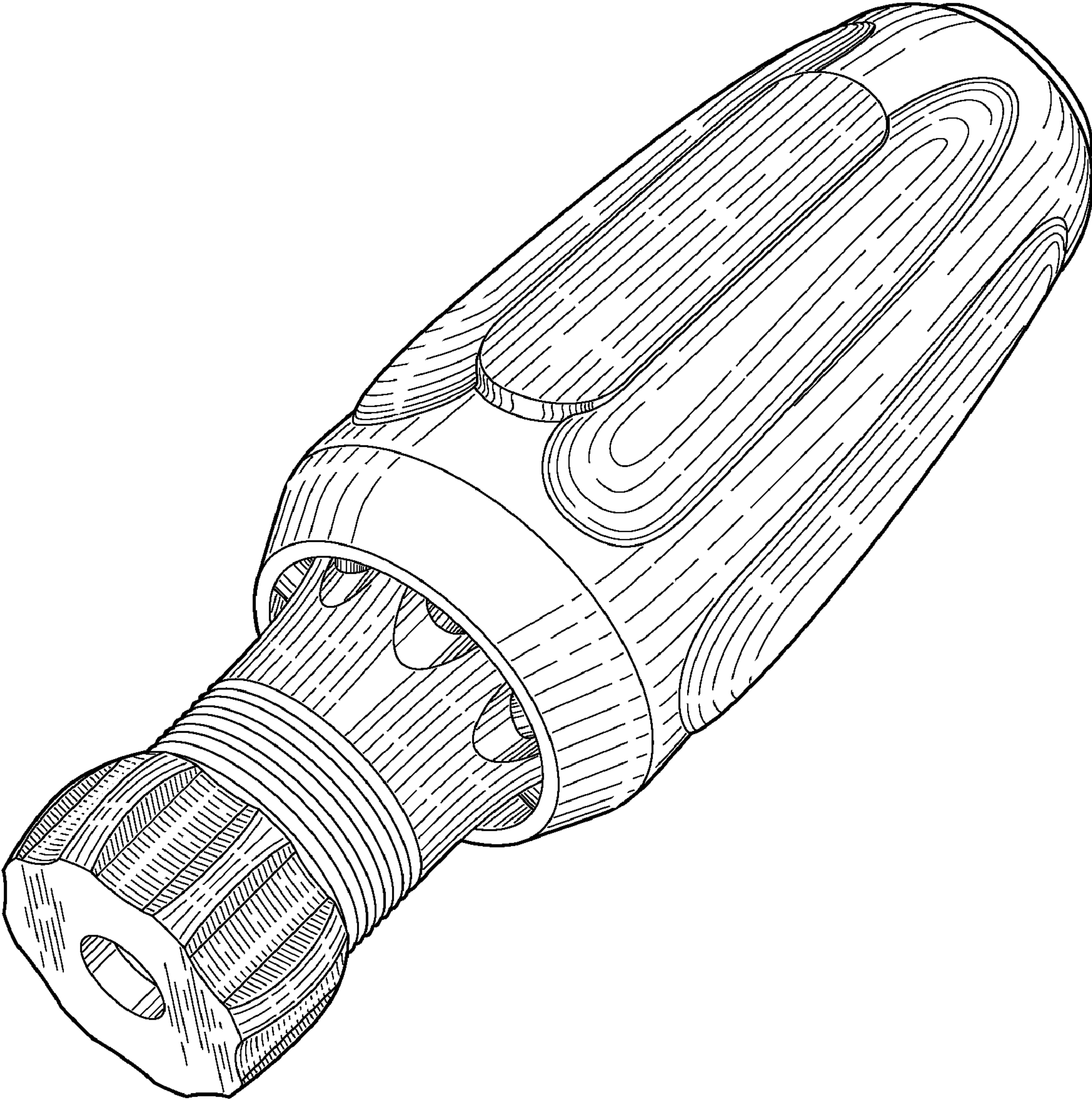
FIG. 4 depicts a bottom view of the screwdriver handle, i.e., rotated axially 180° relative to the view in FIG. 2.

FIG. 5 depicts a right side view of the screwdriver handle, i.e., rotated axially 90° clockwise relative to the view in FIG. 2.

FIG. 6 depicts a front view of the screwdriver handle; and, FIG. 7 depicts a rear view of the screwdriver handle.

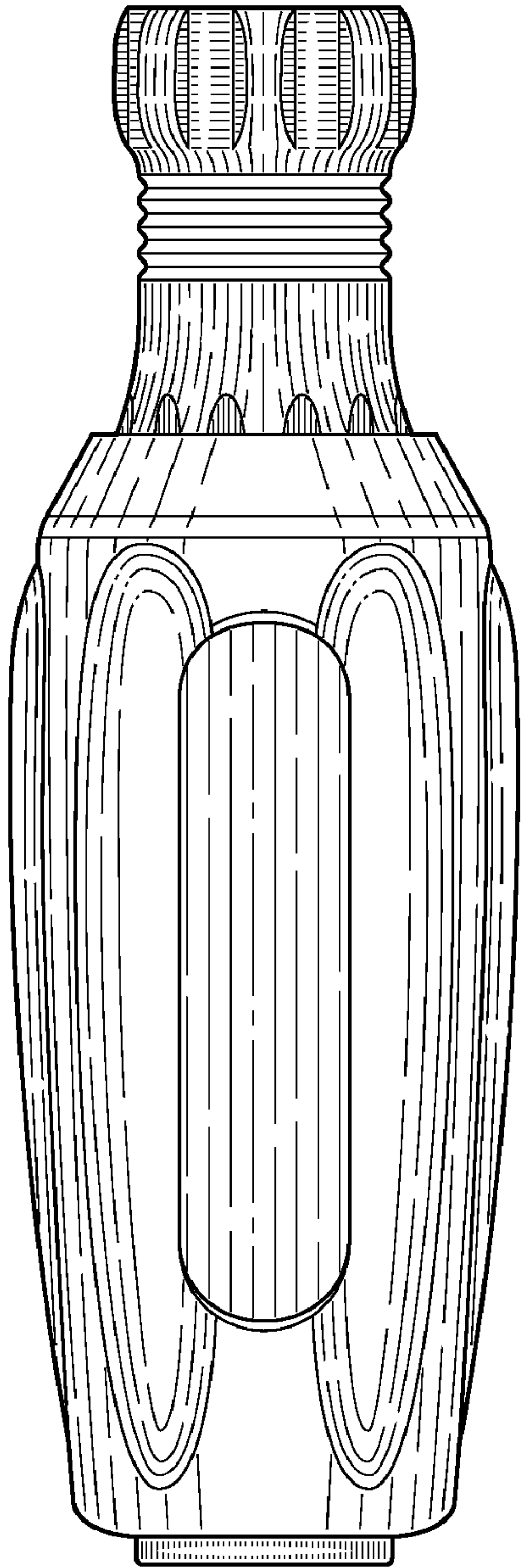
**1 Claim, 4 Drawing Sheets**



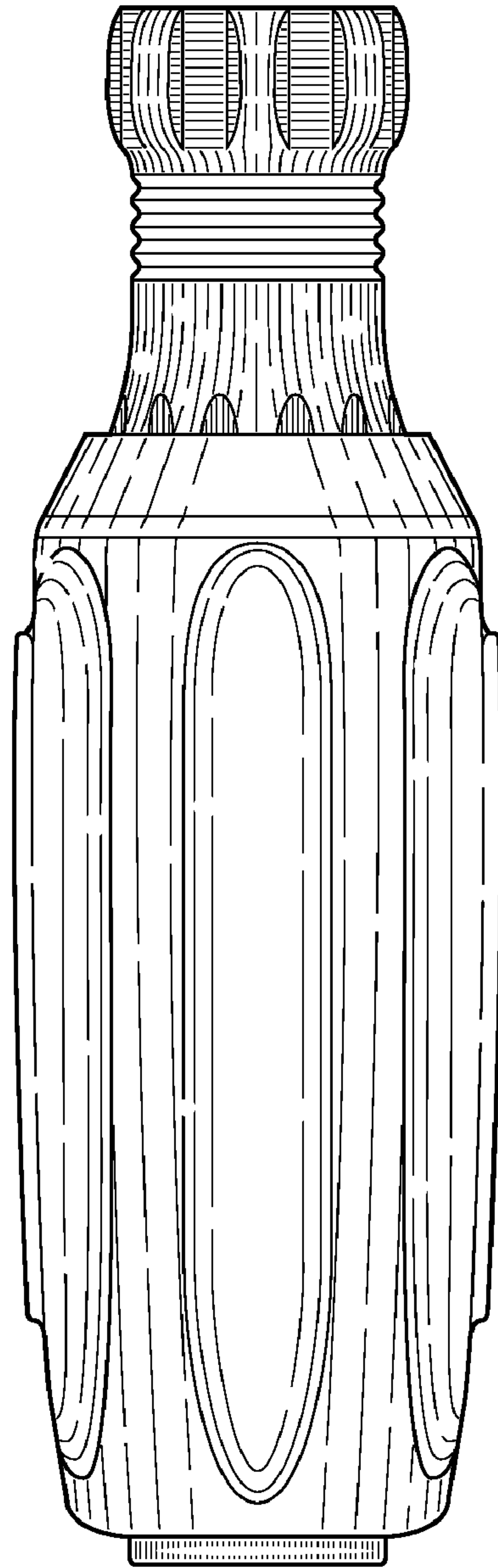


**Figure 1**

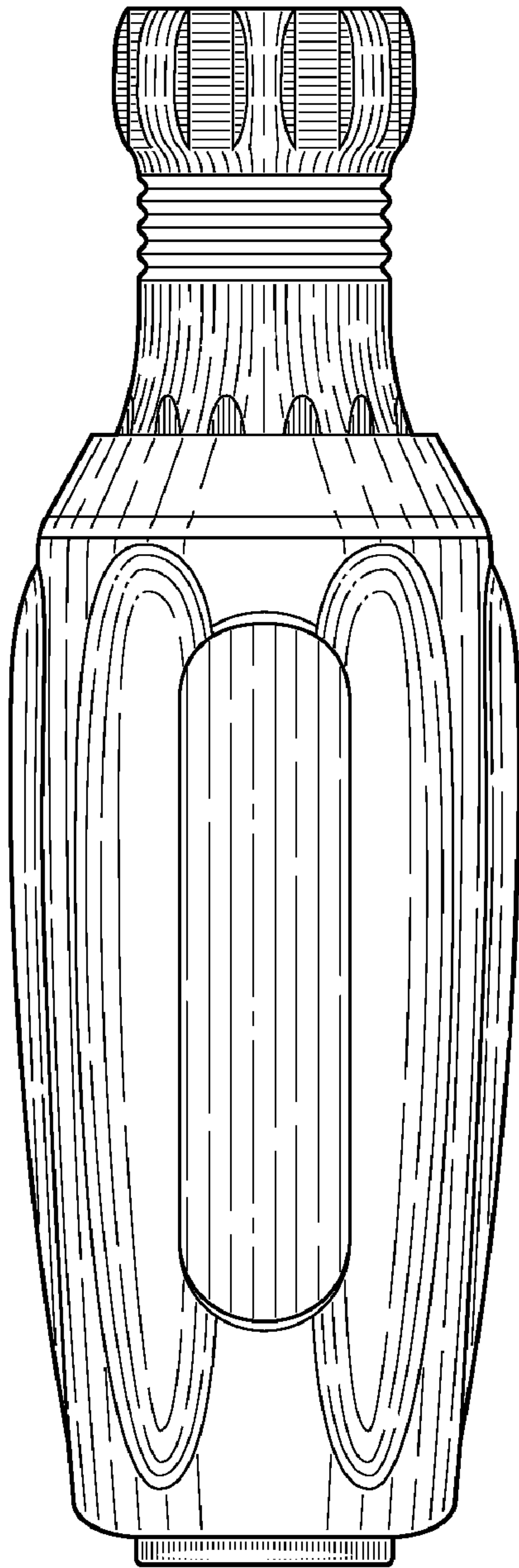




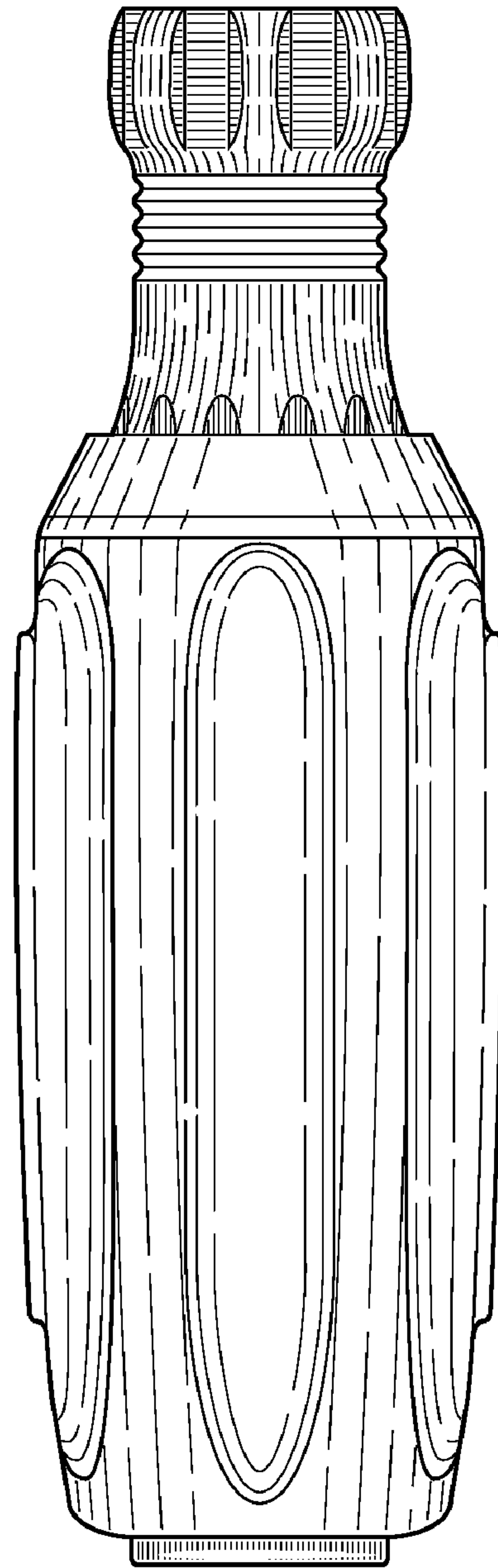
**Figure 2**



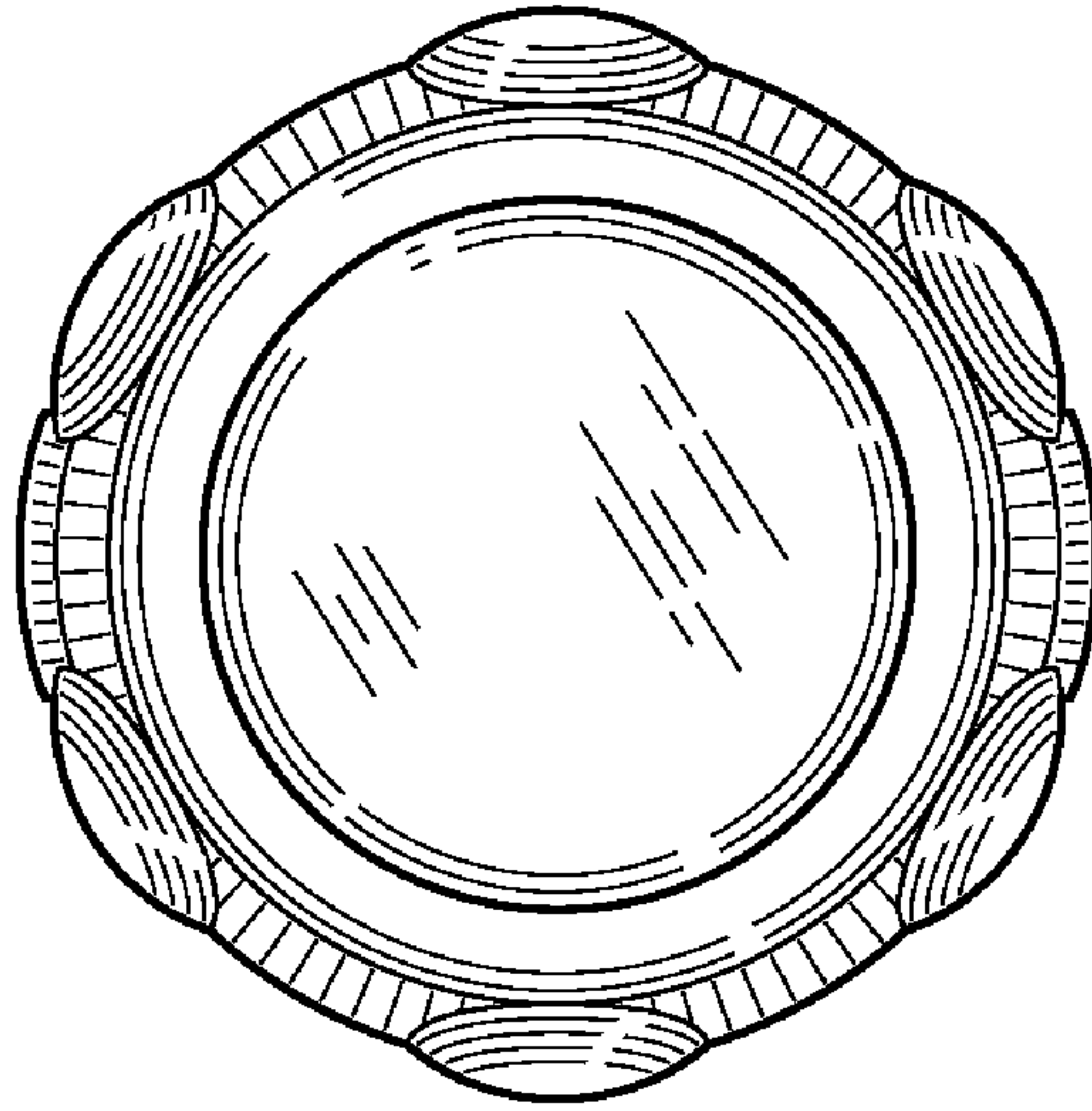
**Figure 3**



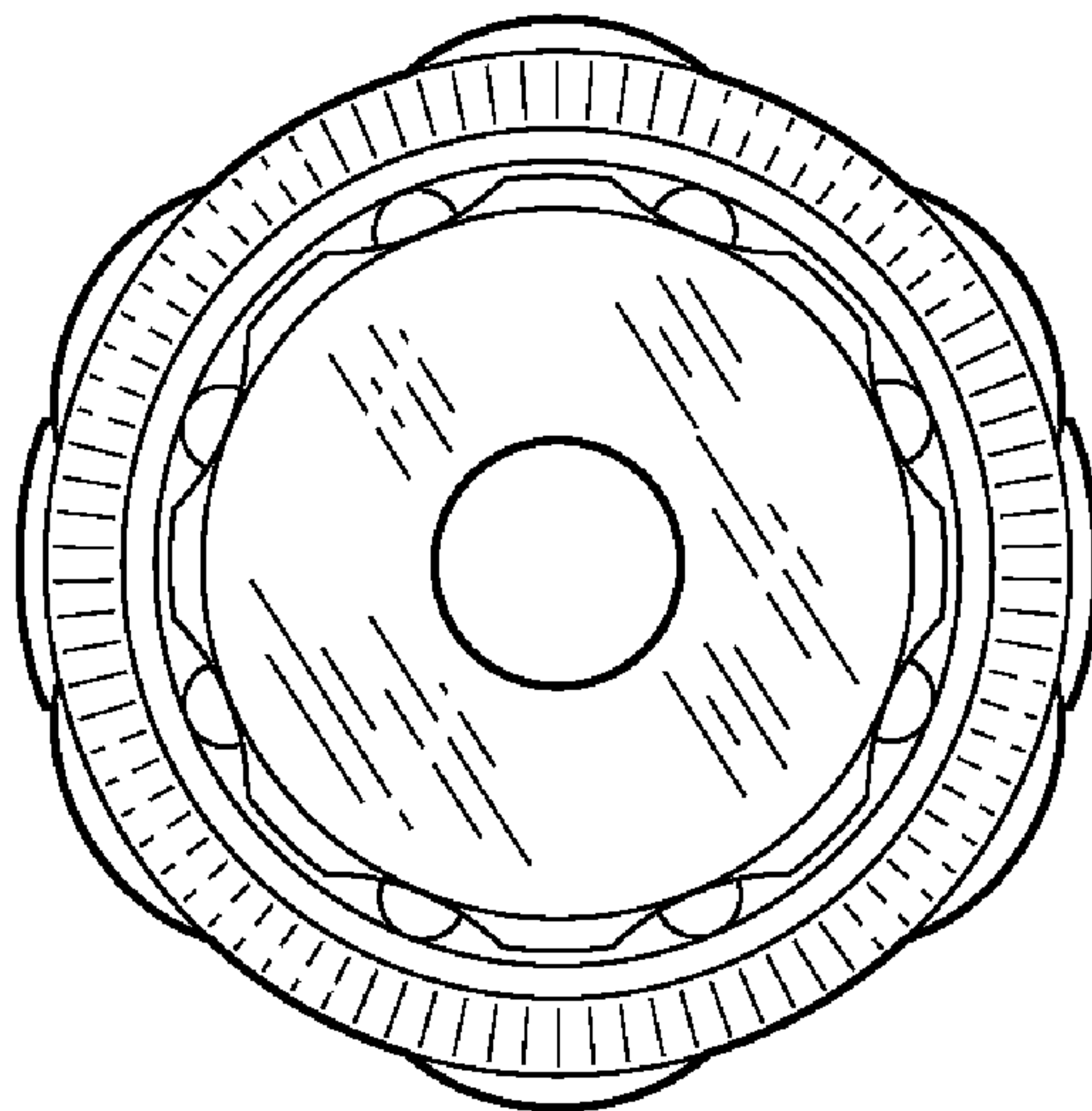
**Figure 4**



**Figure 5**



**Figure 6**



**Figure 7**