

US00D565378S

(12) **United States Design Patent**
Zubiaurre Alberdi et al.

(10) **Patent No.:** **US D565,378 S**
(45) **Date of Patent:** **** Apr. 1, 2008**

(54) **HAMMER-HEAD**

(76) Inventors: **Manuel Ma Zubiaurre Alberdi**,
Polígono Ibaitearte, Pabellón A-7, -20870
Elgoibar (Gipuzkoa) (ES); **Pedro José**
Zubiaurre Alberdi, Polígono Ibaitearte,
Pabellón A-7, -20870 Elgoibar
(Gipuzkoa) (ES)

(**) Term: **14 Years**

(21) Appl. No.: **29/249,918**

(22) Filed: **Oct. 26, 2006**

(51) **LOC (8) Cl.** **08-02**

(52) **U.S. Cl.** **D8/78; D8/77**

(58) **Field of Classification Search** D8/75,
D8/76, 77, 78, 79, 80, 81, 107; 81/19, 20,
81/21, 22; 173/90; 254/26 R
See application file for complete search history.

(56) **References Cited**

U.S. PATENT DOCUMENTS

3,128,131	A *	4/1964	Bianchini	81/20
D264,931	S *	6/1982	Jones	D8/78
4,683,784	A *	8/1987	Lamont	81/22
5,248,002	A *	9/1993	Williams	81/20
D350,889	S *	9/1994	Frierman	D8/78

5,758,552	A *	6/1998	Myers et al.	81/20
D490,679	S *	6/2004	Hung	D8/77
D519,814	S *	5/2006	Hung	D8/78
D521,842	S *	5/2006	Hung	D8/78
D532,272	S *	11/2006	Chen	D8/78

* cited by examiner

Primary Examiner—Philip S. Hyder
(74) *Attorney, Agent, or Firm*—Lucas & Mercanti, LLP

(57) **CLAIM**

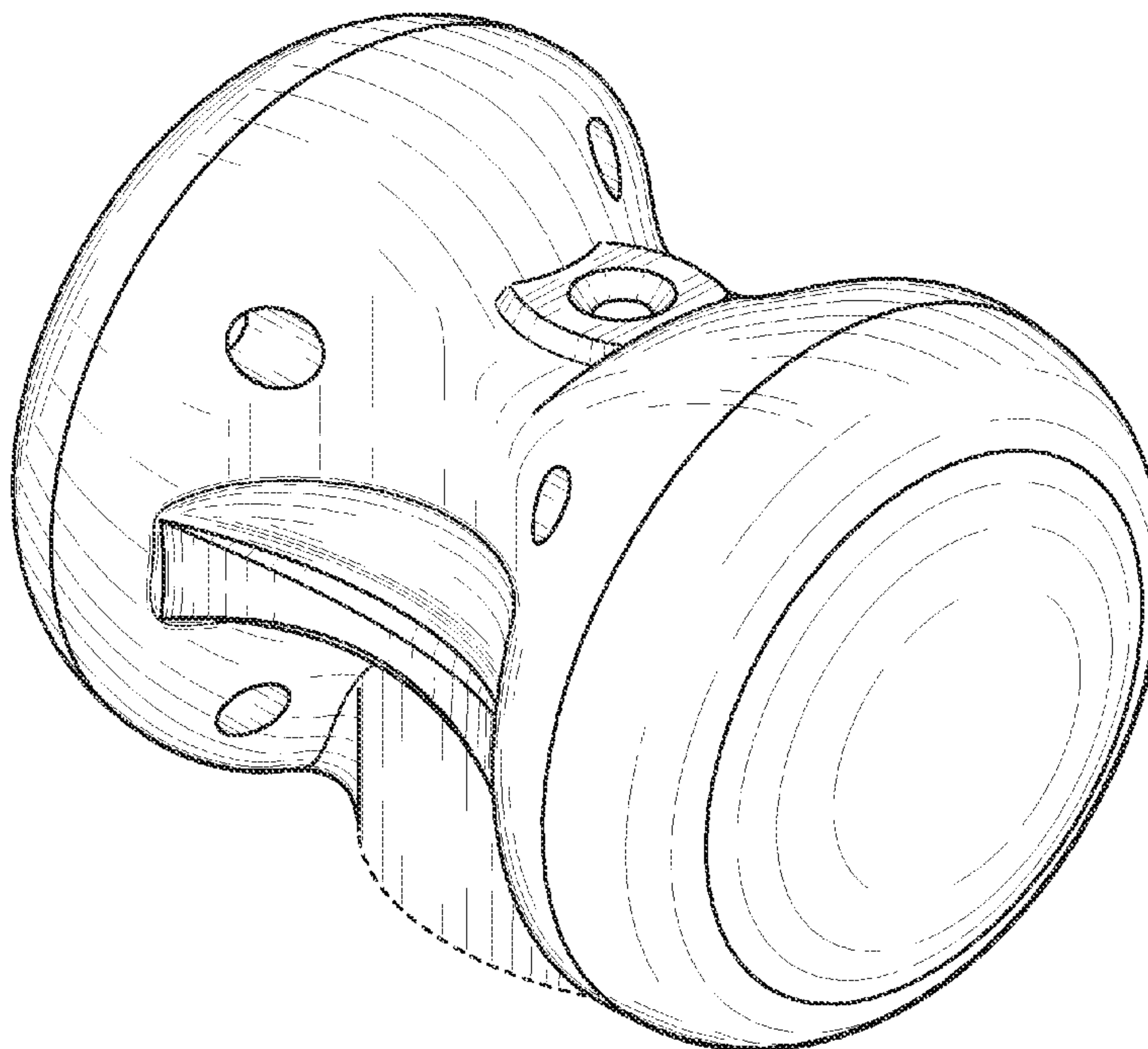
The ornamental design for a hammer-head, substantially as shown and described.

DESCRIPTION

FIG. 1 is a front view of my hammer-head design;
FIG. 2 is a back view of my hammer-head design;
FIG. 3 is a right-side view of my hammer-head design;
FIG. 4 is a left-side view of my hammer-head design;
FIG. 5 is a top view of my hammer-head design;
FIG. 6 is a bottom view of my hammer-head design; and,
FIG. 7 is a perspective view of my hammer-head design.

The broken line showing of the bottom edge and bottom surface forms no part of the claimed design.

1 Claim, 7 Drawing Sheets



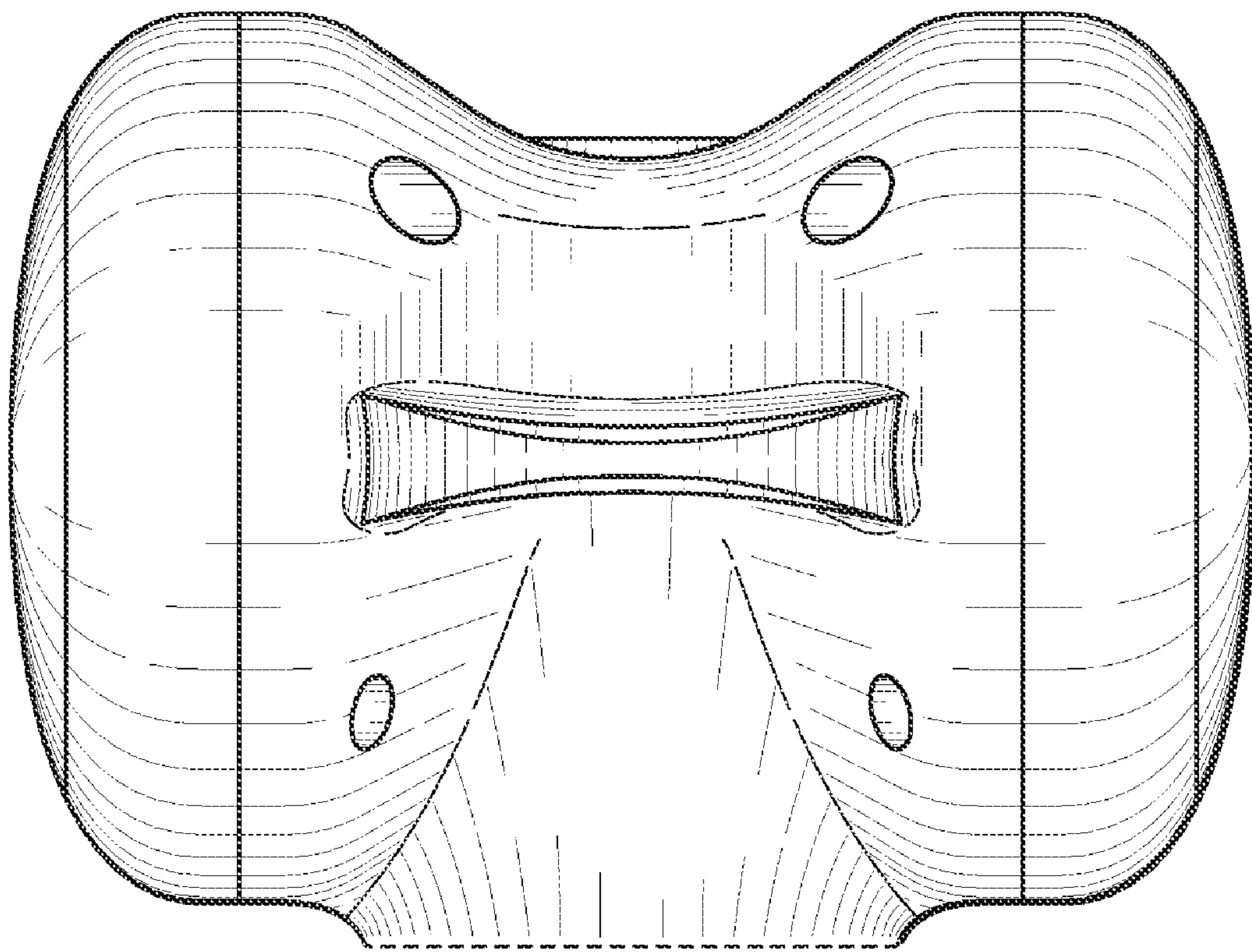


FIG. 1

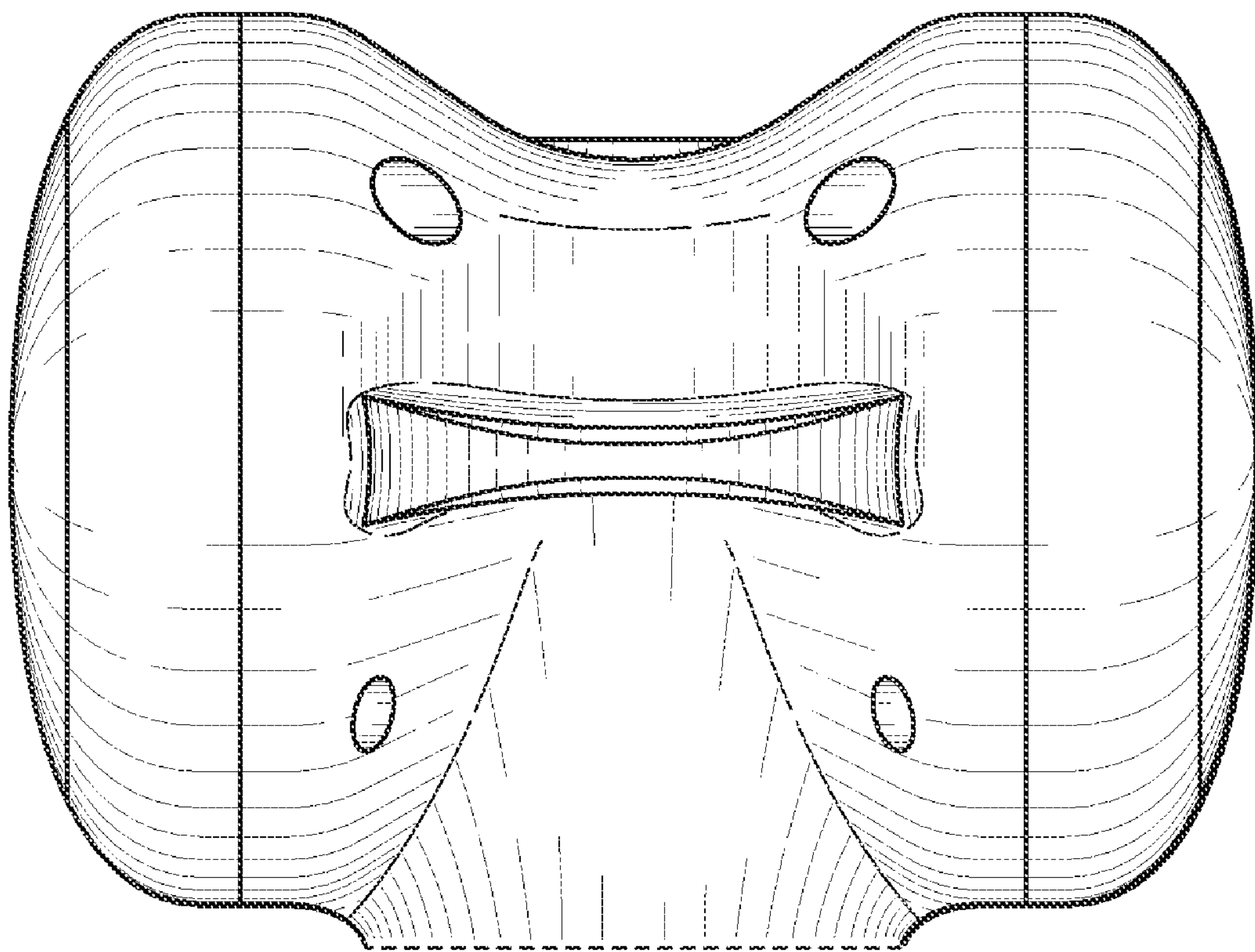


FIG. 2

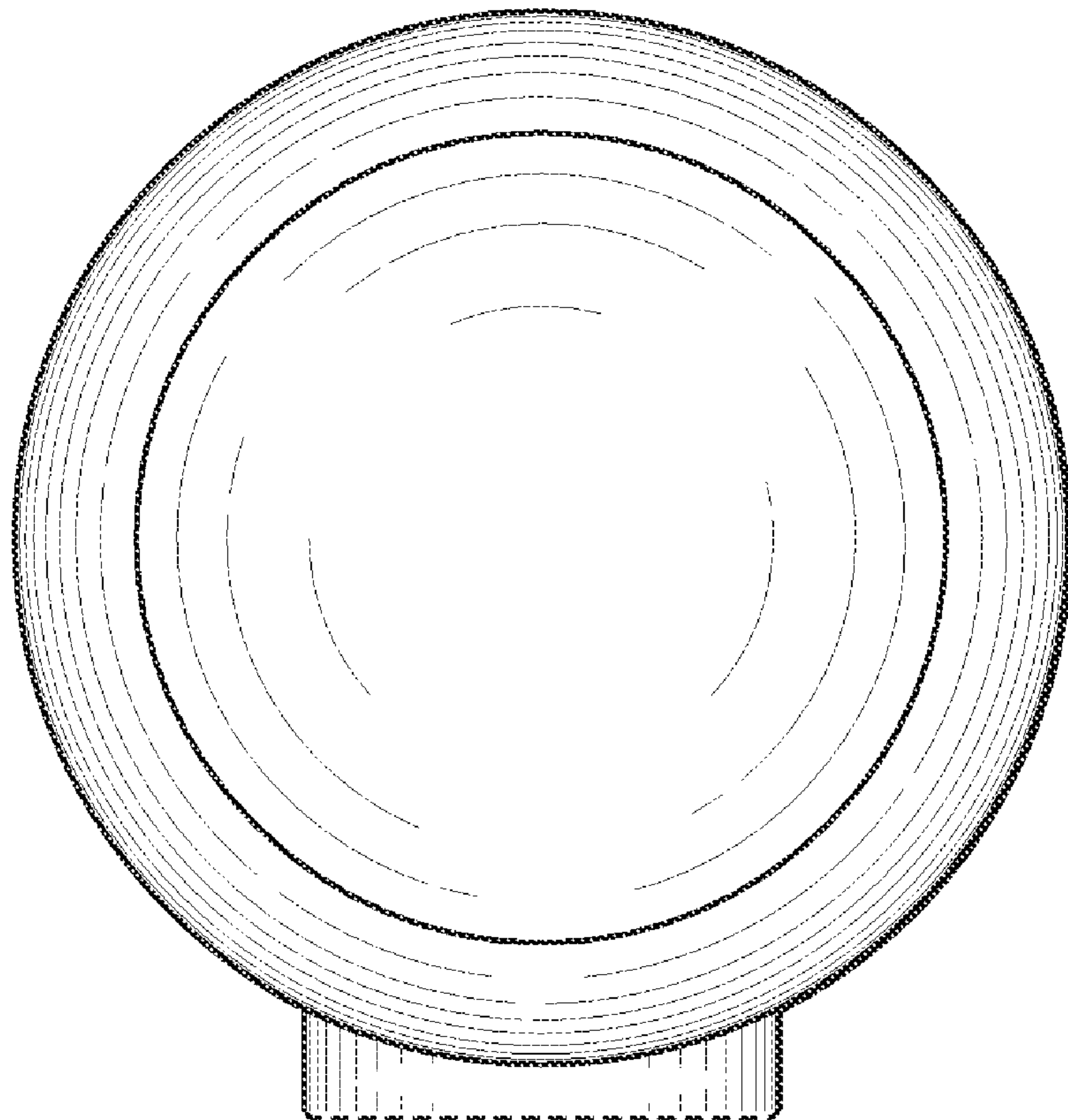


FIG. 3

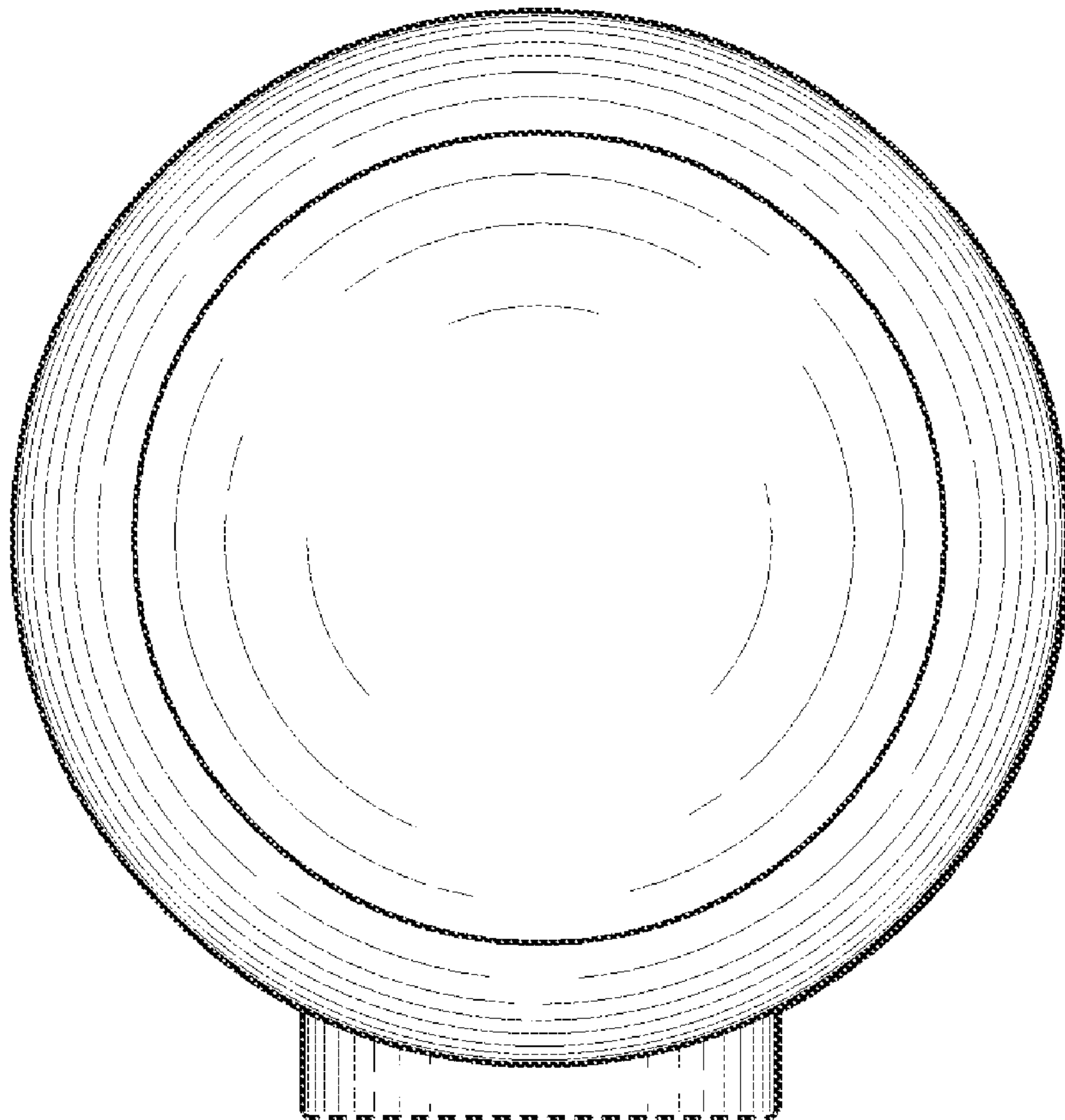


FIG. 4

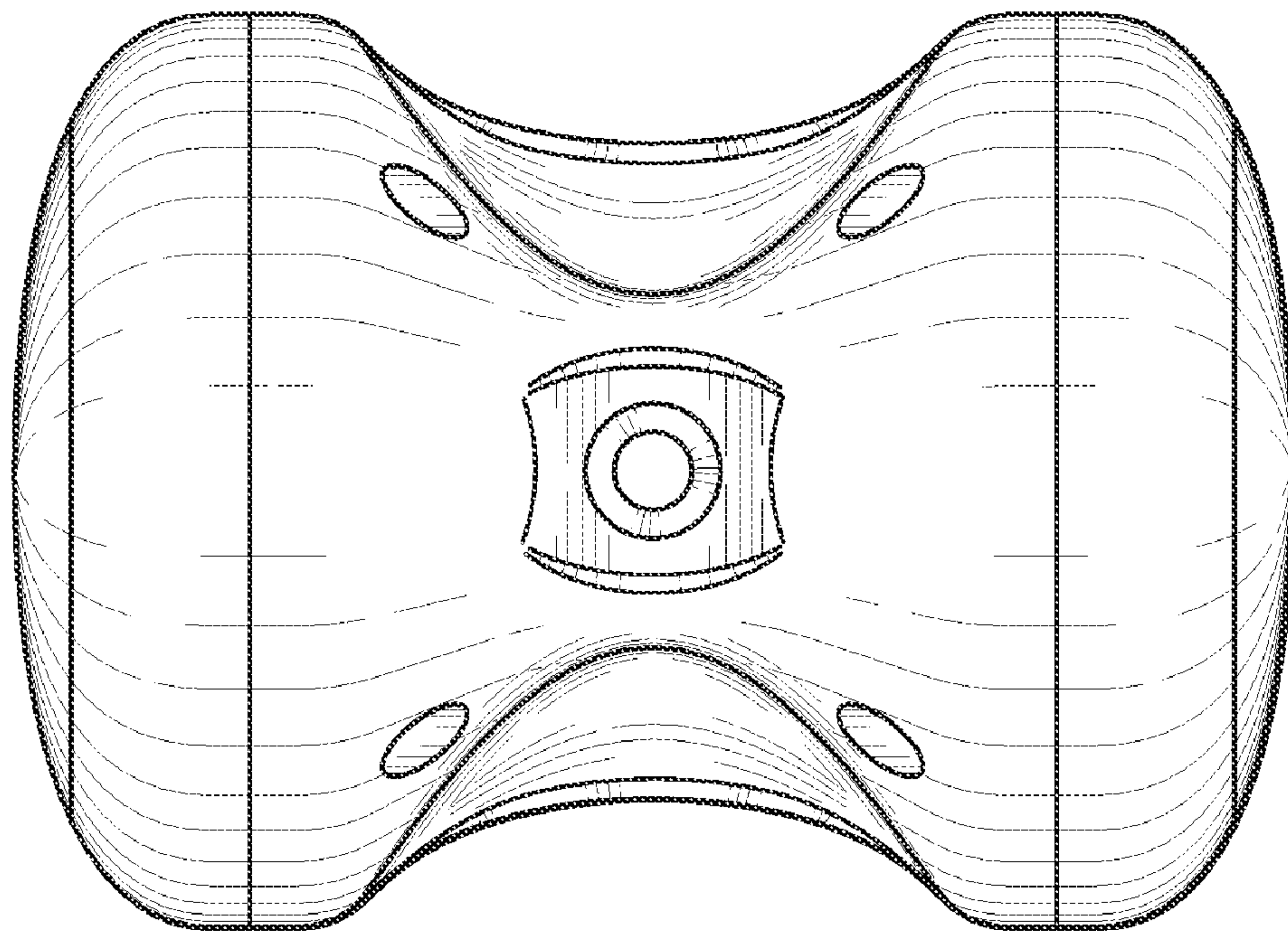


FIG. 5

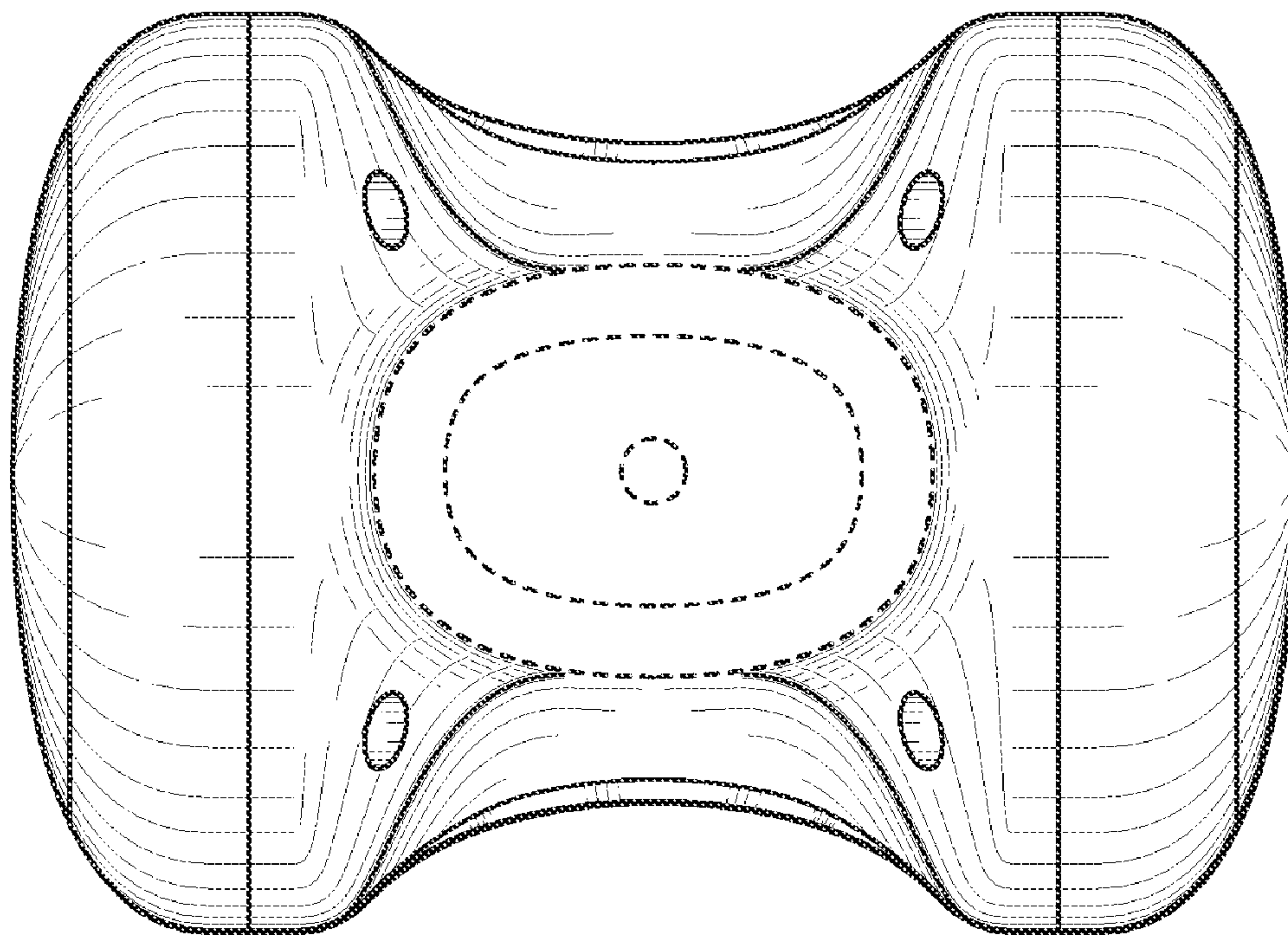


FIG. 6

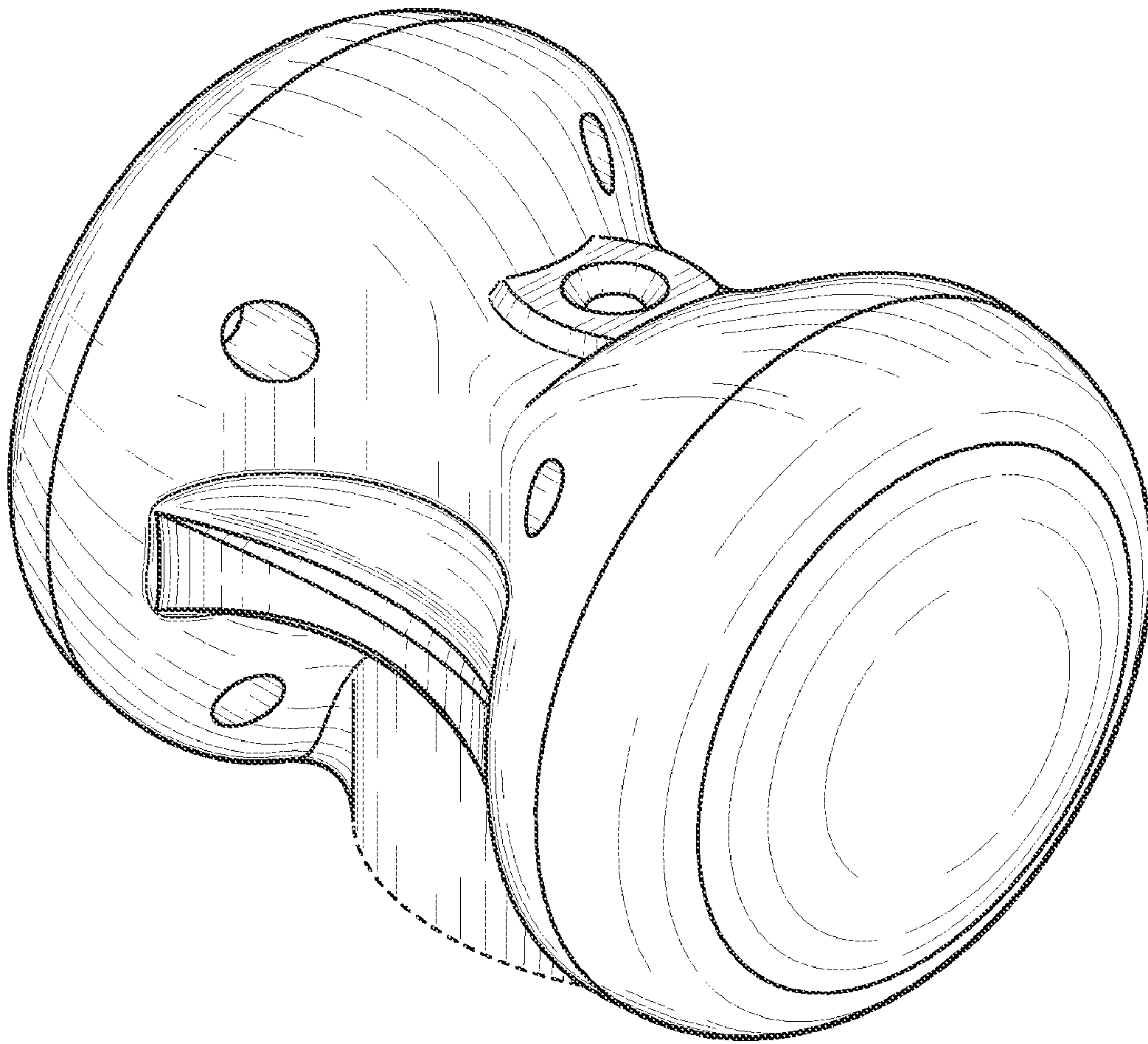


FIG. 7