



US00D565376S

(12) **United States Design Patent** (10) **Patent No.:** **US D565,376 S**
Hu (45) **Date of Patent:** **** Apr. 1, 2008**

(54) **DRILL CHUCK**

(76) Inventor: **Zhenqian Hu**, No. 7, the East Weisan Road, Hardware & Machinery Industry Park, Wuyi City, Zhejiang Province (CN) 321200

(**) Term: **14 Years**

(21) Appl. No.: **29/274,891**

(22) Filed: **Jun. 5, 2007**

Related U.S. Application Data

(63) Continuation-in-part of application No. 29/273,014, filed on Feb. 26, 2007.

(51) **LOC (8) Cl.** **08-05**

(52) **U.S. Cl.** **D8/70**

(58) **Field of Classification Search** D8/61, D8/62, 63, 64, 65, 66, 67, 68, 69, 70, 71; D15/132, 133, 138, 139, 140; 279/60, 61, 279/62, 63, 64, 65, 66, 157, 901, 902; 408/56, 408/240

See application file for complete search history.

(56) **References Cited**

U.S. PATENT DOCUMENTS

- D409,210 S * 5/1999 Cooper D8/70
- D462,249 S * 9/2002 Chunn et al. D8/70
- D464,859 S * 10/2002 Netzler D8/68
- D472,781 S * 4/2003 Netzler D8/68
- D491,437 S * 6/2004 Bian D8/68
- 6,758,116 B2 * 7/2004 Kriaski et al. 81/429
- D504,298 S * 4/2005 Bian D8/68

- 6,899,343 B2 * 5/2005 Zhou 279/62
- D515,896 S * 2/2006 Bian D8/70
- D526,179 S * 8/2006 Hayakawa et al. D8/69
- D542,814 S * 5/2007 Concari D15/140
- 2004/0032094 A1 * 2/2004 Zhou 279/62
- 2004/0041357 A1 * 3/2004 Zhou 279/62
- 2005/0230134 A1 * 10/2005 Wu 173/217
- 2006/0244224 A1 * 11/2006 Zhou et al. 279/62

FOREIGN PATENT DOCUMENTS

GB 3011480 S * 3/2003

* cited by examiner

Primary Examiner—T. Chase Nelson

(74) *Attorney, Agent, or Firm*—Manelli Denison & Selter pllc; Edward J. Stemberger

(57) **CLAIM**

The ornamental design for a drill chuck, as shown and described.

DESCRIPTION

FIG. 1 is a front view of a drill chuck showing my new design;

FIG. 2 is a right side view thereof;

FIG. 3 is a left side view thereof;

FIG. 4 is a rear view thereof;

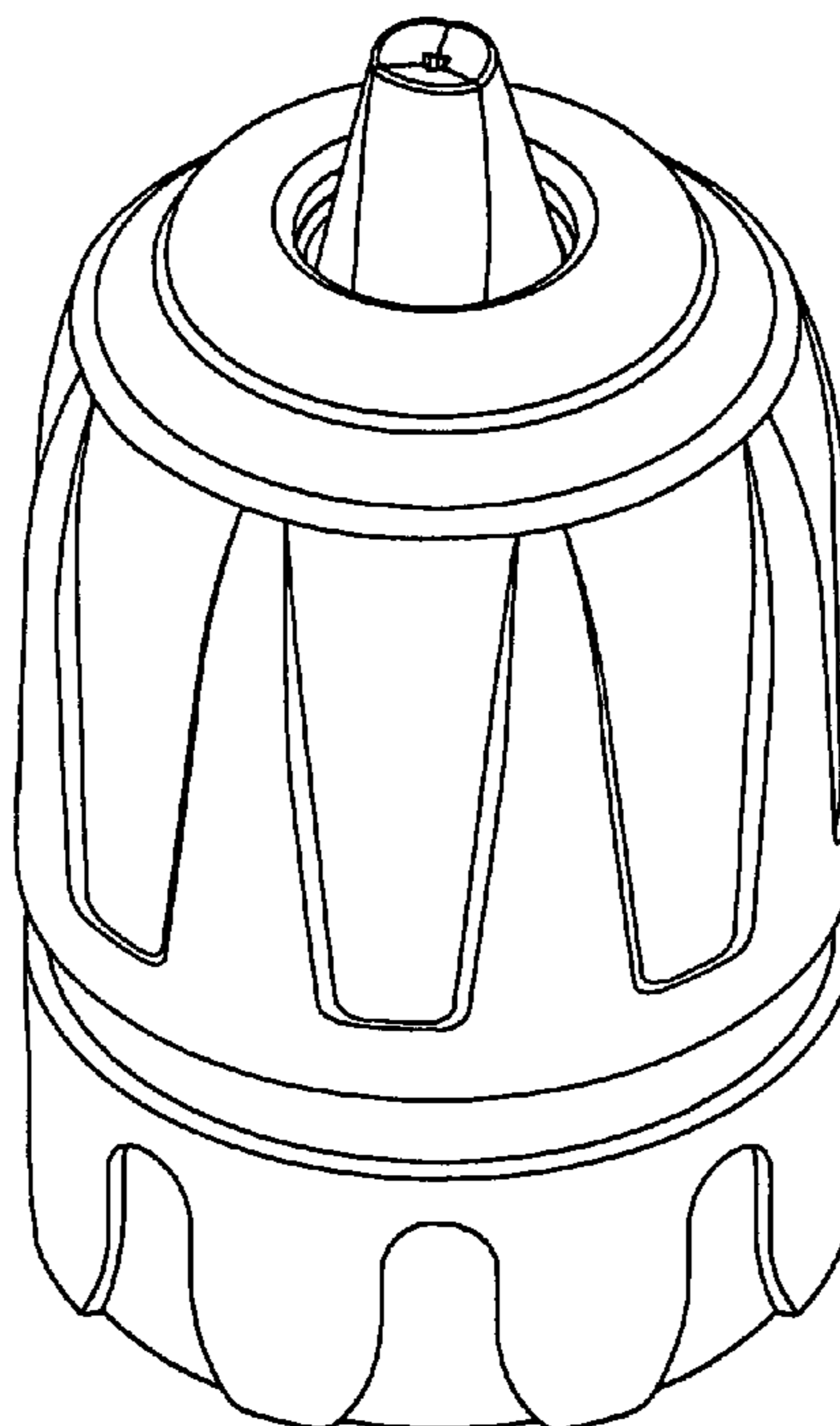
FIG. 5 is bottom view thereof;

FIG. 6 is a top view thereof;

FIG. 7 is a first perspective view thereof; and,

FIG. 8 is a second perspective view thereof.

1 Claim, 7 Drawing Sheets



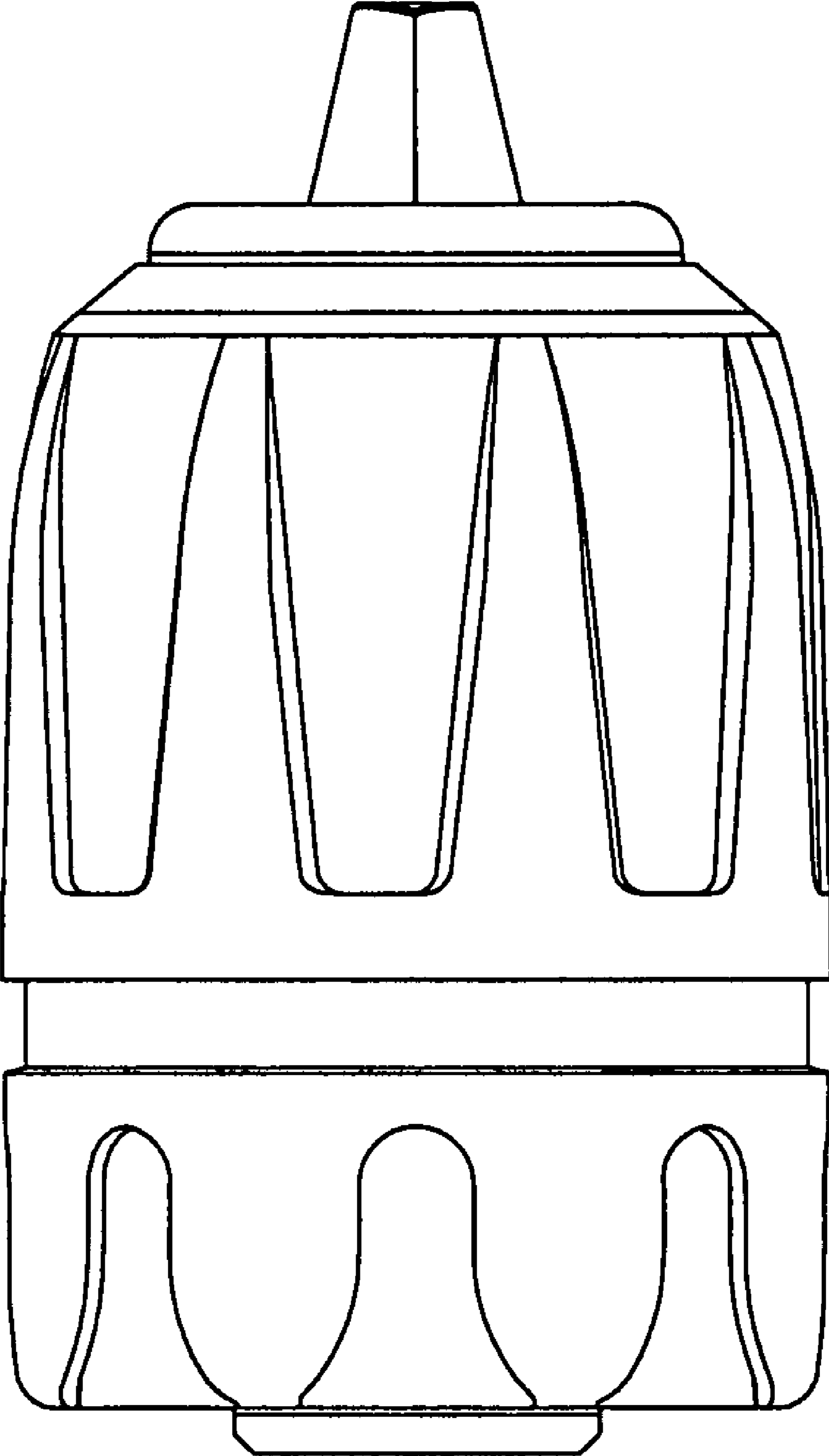


FIG. 1

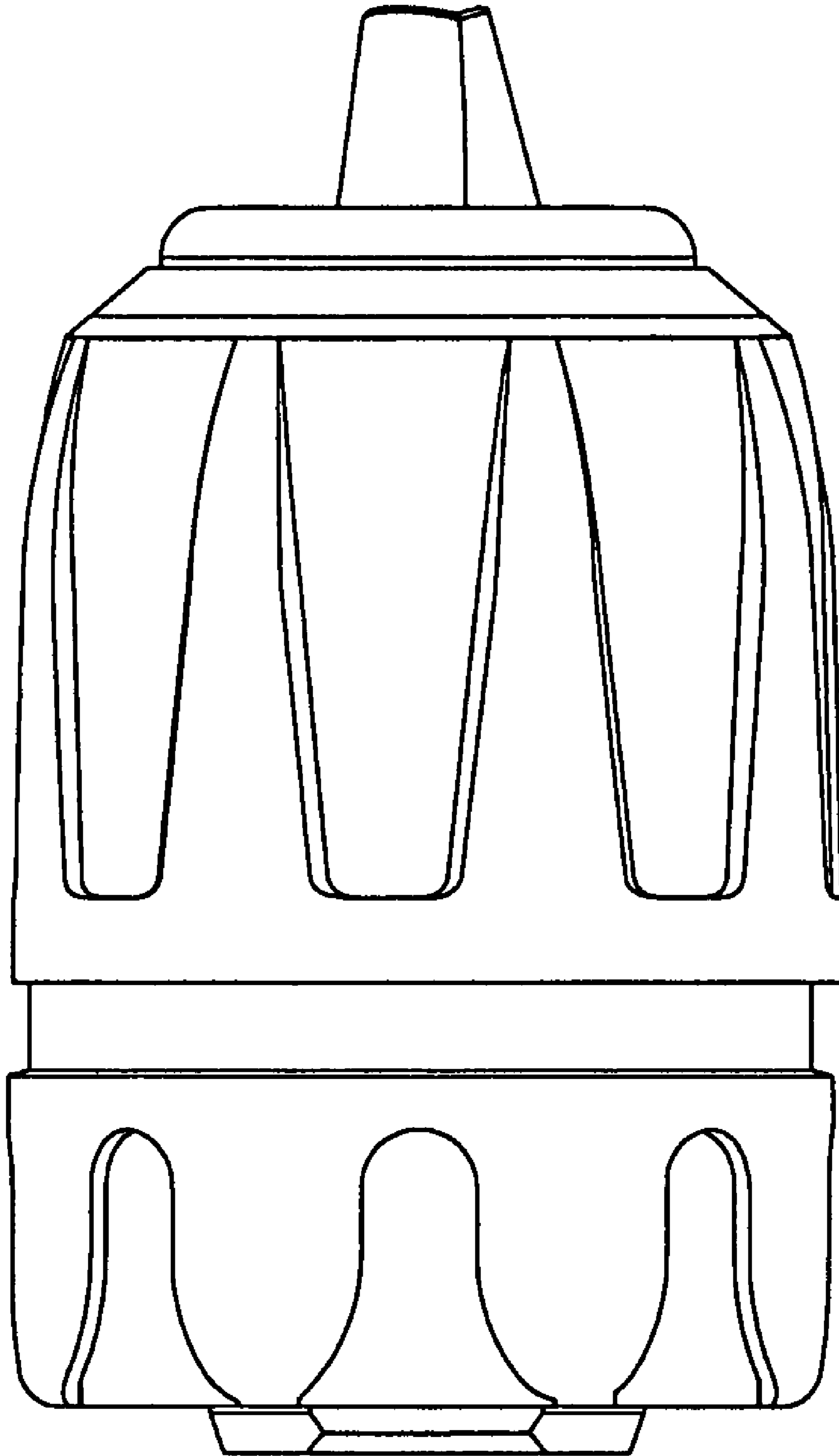


FIG. 2

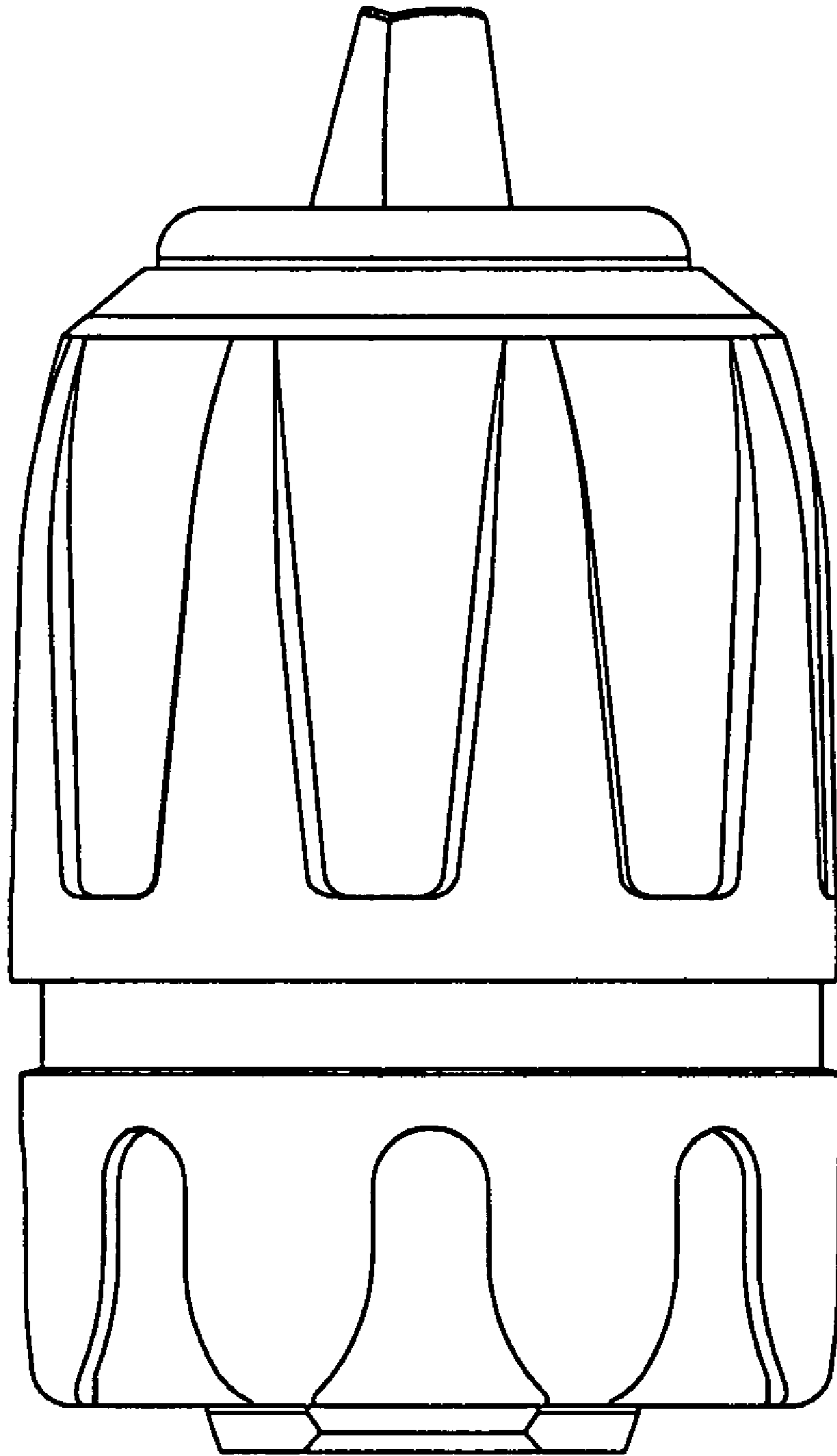


FIG.3

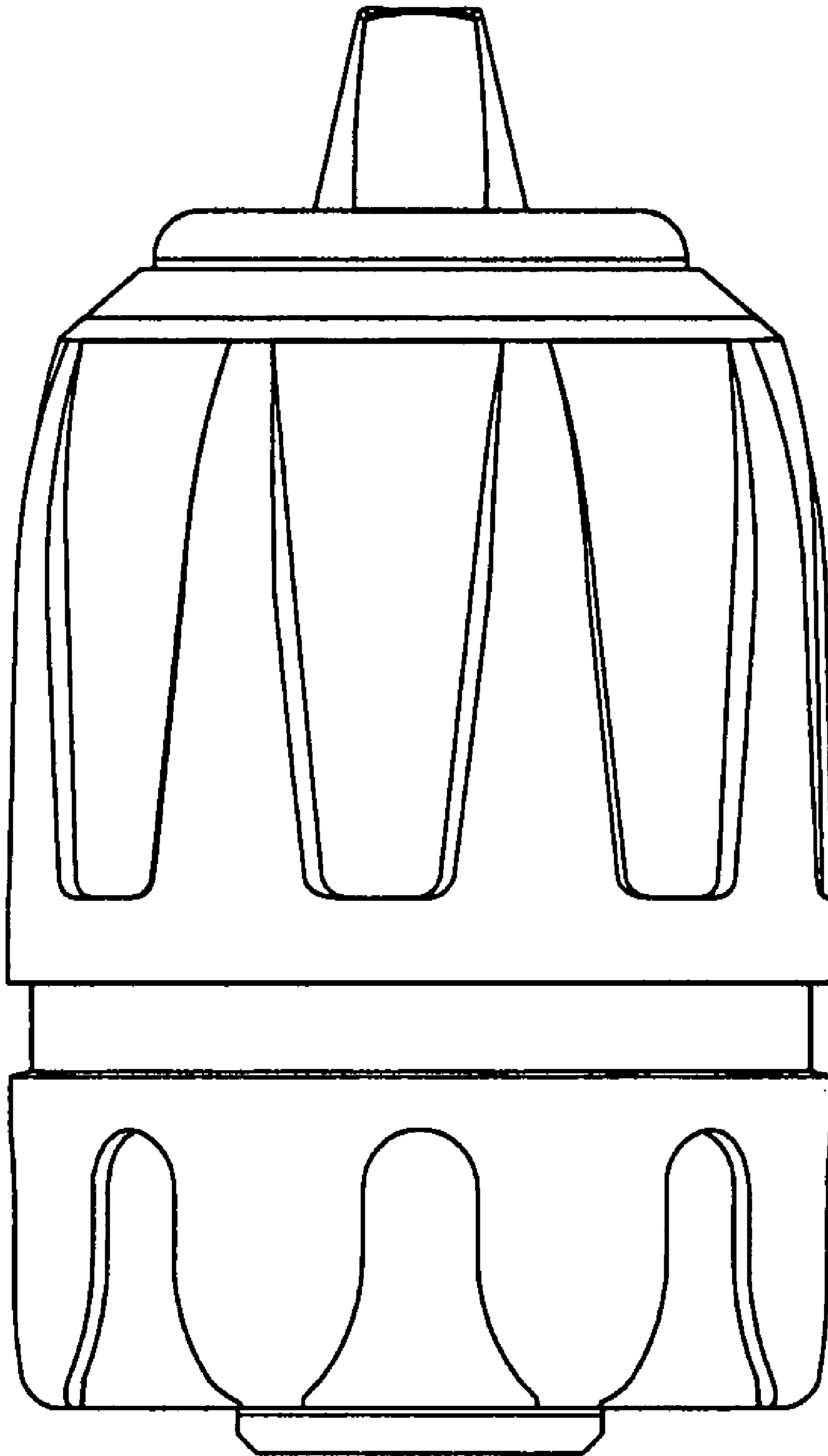


FIG.4

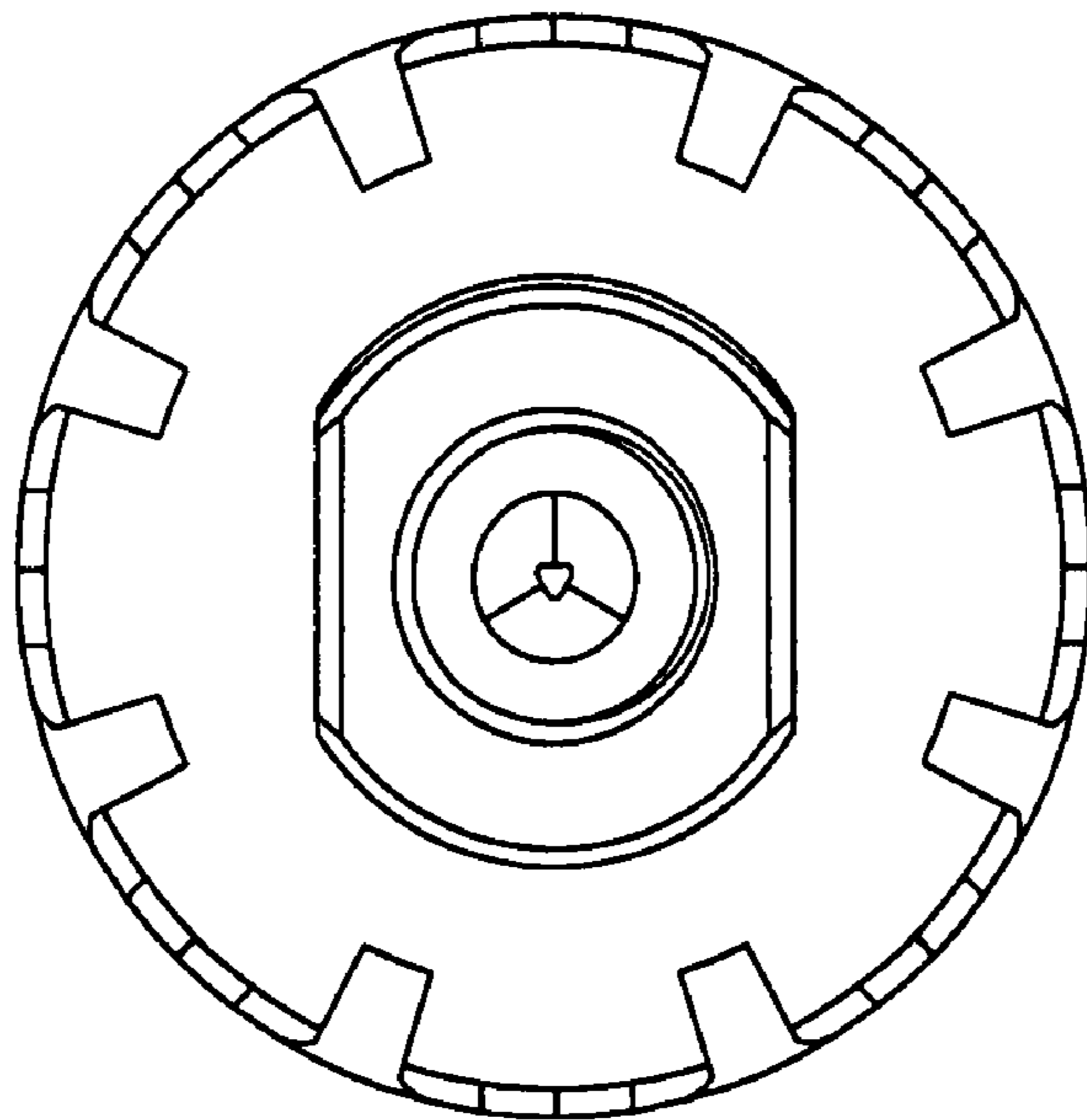


FIG.5

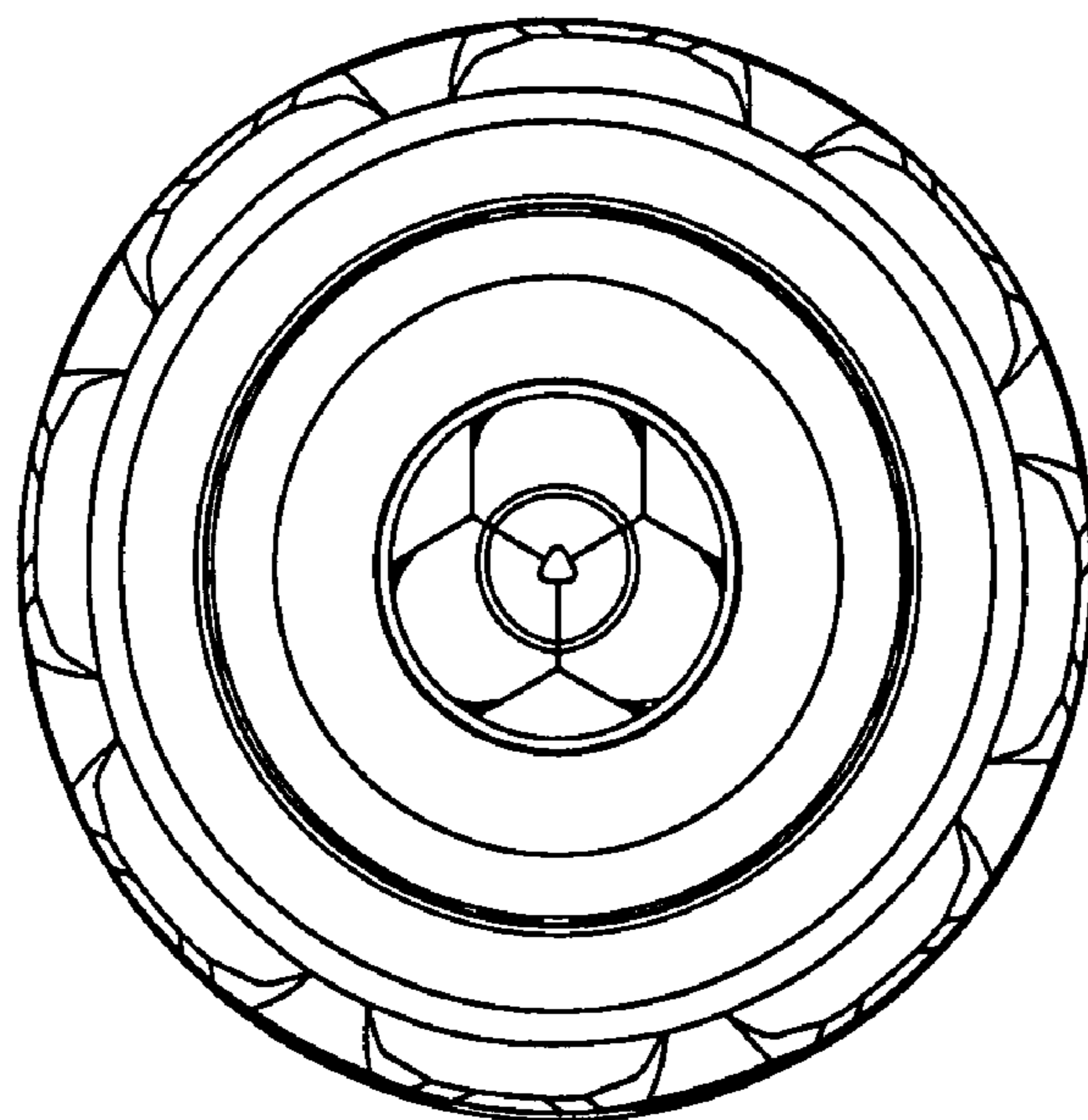


FIG.6

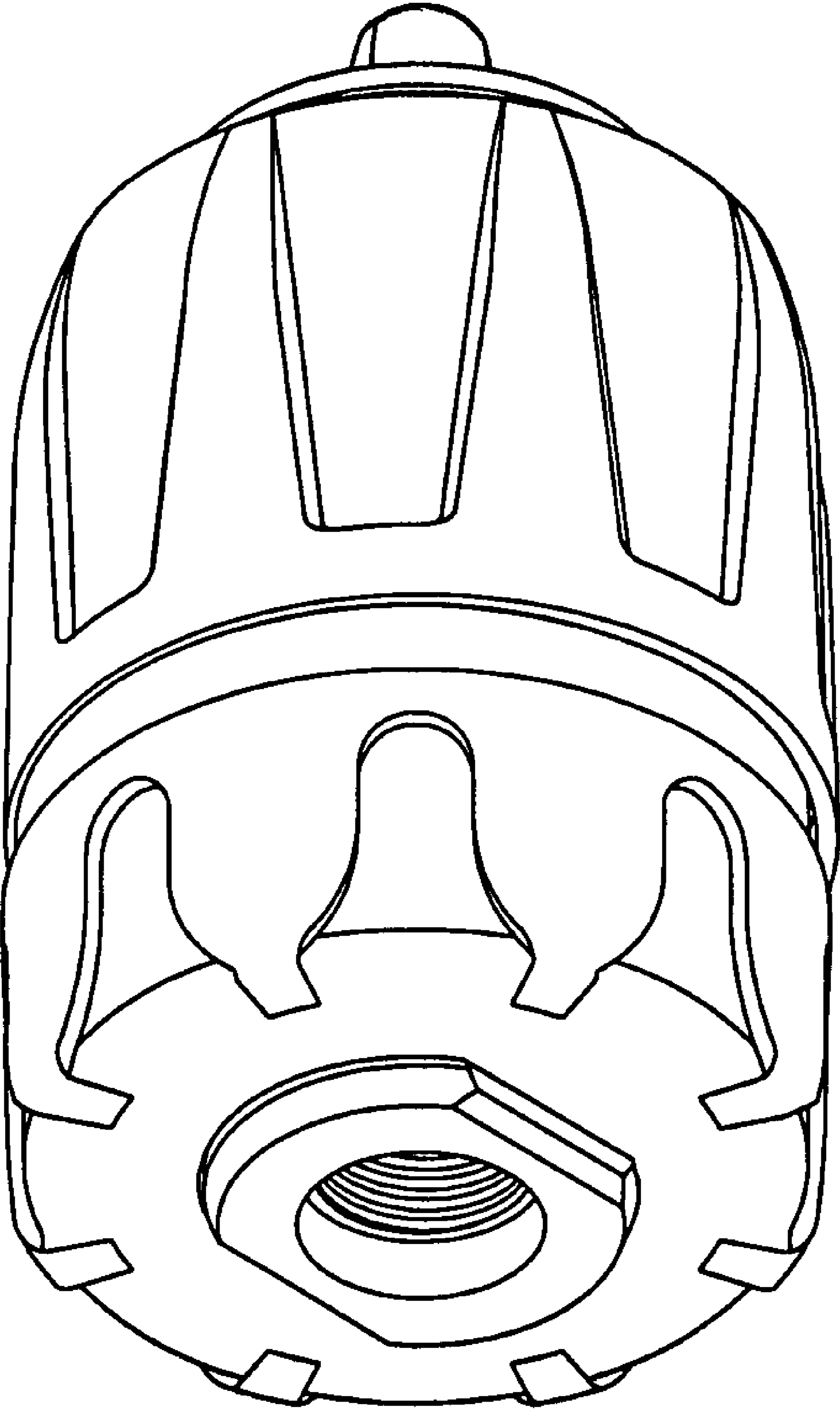


FIG.7

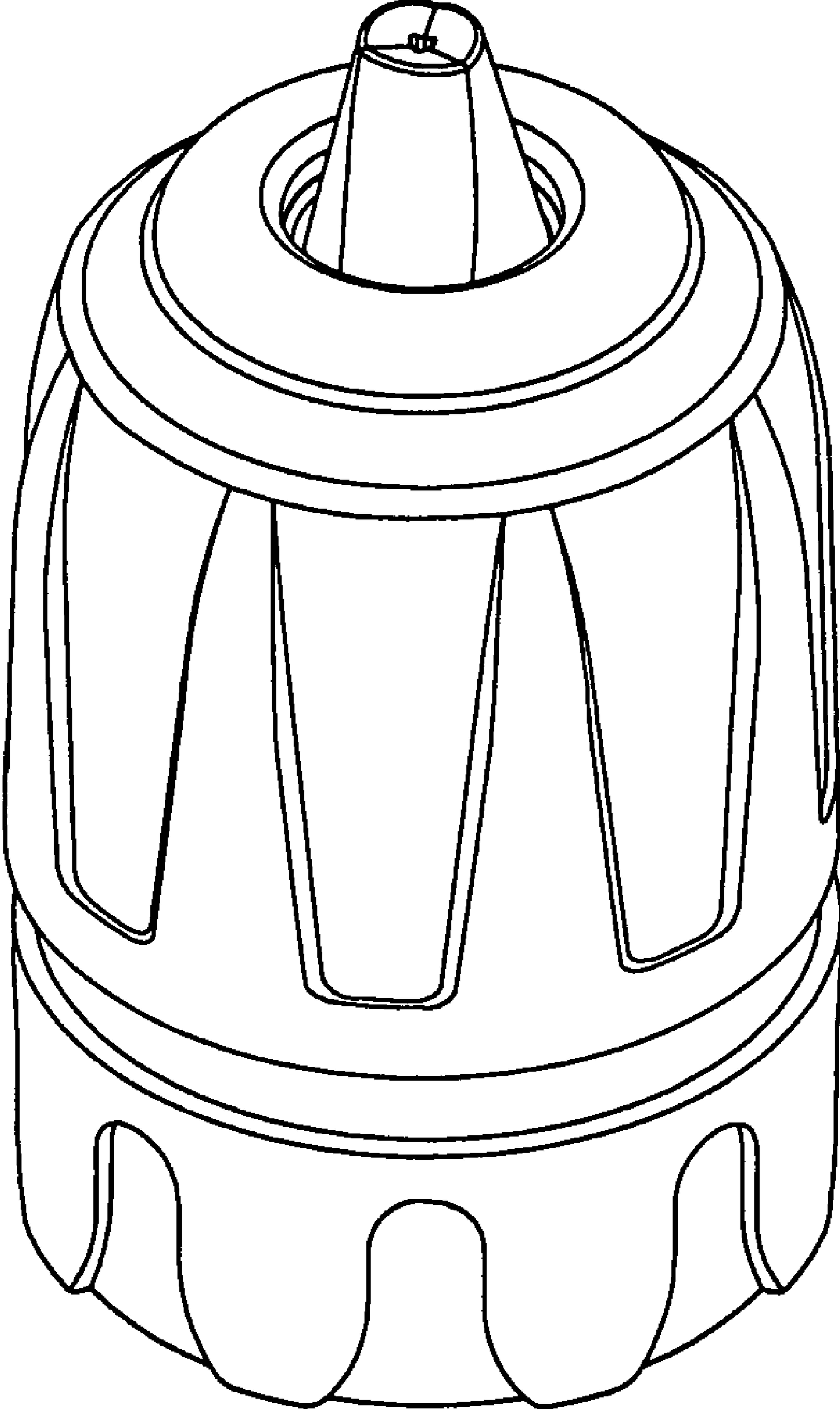


FIG.8