



US00D565374S

(12) **United States Design Patent**
Zhang

(10) **Patent No.:** **US D565,374 S**

(45) **Date of Patent:** **** Apr. 1, 2008**

(54) **DRILL**

(75) Inventor: **Zhi Zhang**, Nanjing (CN)

(73) Assignee: **Nanjing Chervon Industry Co., Ltd.**,
Nanjing (CN)

(**) Term: **14 Years**

(21) Appl. No.: **29/268,979**

(22) Filed: **Nov. 17, 2006**

(30) **Foreign Application Priority Data**

Jun. 13, 2006 (CN) 2006 3 0087803

(51) **LOC (8) Cl.** **08-01**

(52) **U.S. Cl.** **D8/68**

(58) **Field of Classification Search** D8/14.1,
D8/61-70; 81/57.11, 429, 454-456, 469,
81/489; 173/13, 104, 114, 168-171, 178,
173/201, 211, 213, 217; 408/20, 124, 125,
408/234, 241 R; 451/358; 310/50; 227/8,
227/113, 114, 120, 130, 136, 142

See application file for complete search history.

(56) **References Cited**

U.S. PATENT DOCUMENTS

D377,442 S * 1/1997 Kikuchi D8/68
D402,871 S * 12/1998 Clowers et al. D8/68
D419,413 S * 1/2000 Heun D8/68
D420,877 S * 2/2000 Schultz D8/68
D420,879 S * 2/2000 Watson et al. D8/70
D421,883 S * 3/2000 Watson et al. D8/68
D428,320 S * 7/2000 Ohi et al. D8/68

D460,674 S * 7/2002 Heun D8/68
D506,914 S * 7/2005 Okuda D8/68
D515,381 S * 2/2006 Ng D8/68
D525,848 S * 8/2006 Kokawa D8/68
D527,971 S * 9/2006 Kokawa D8/68
D534,404 S * 1/2007 Concari D8/68
D539,110 S * 3/2007 Okuda et al. D8/68
2005/0249564 A1 * 11/2005 Van Bergen et al. ... 408/241 R
2006/0104735 A1 * 5/2006 Zeiler et al. 408/241 R

FOREIGN PATENT DOCUMENTS

GB 2052392 S * 11/1995
GB 3000904 S * 1/2002
GB 3001146 S * 1/2002
GB 3001389 S * 2/2002

* cited by examiner

Primary Examiner—T. Chase Nelson

(74) *Attorney, Agent, or Firm*—Butzel Long

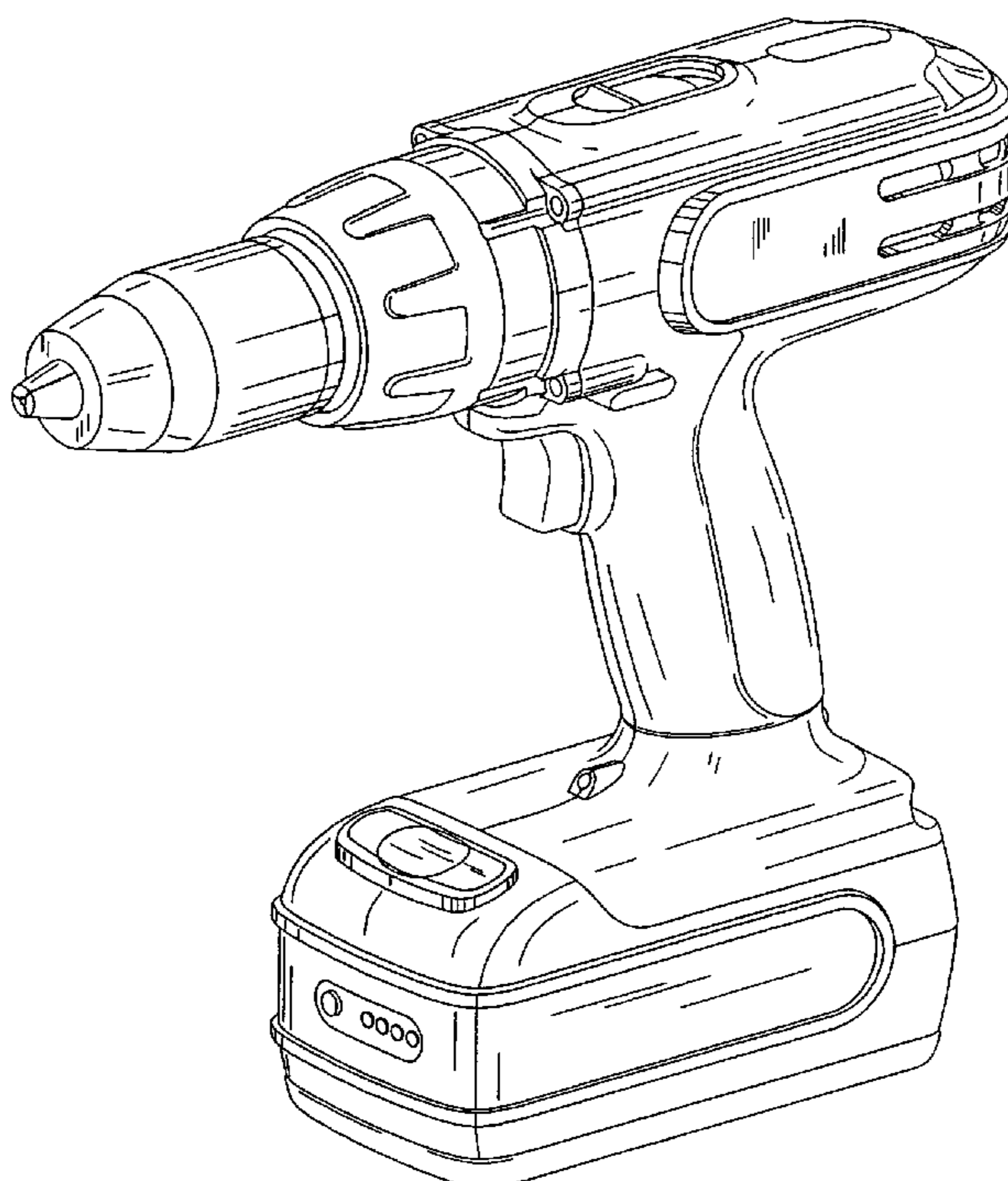
(57) **CLAIM**

The ornamental design for a drill, as shown and described.

DESCRIPTION

FIG. 1 is a front elevational view of the design;
FIG. 2 is a rear elevational view of the drill in FIG. 1;
FIG. 3 is a left side elevational view of the drill in FIG. 1;
FIG. 4 is a right side elevational view of the drill in FIG. 1;
FIG. 5 is a top plan view of the drill in FIG. 1;
FIG. 6 is a bottom plan view of the drill in FIG. 1; and,
FIG. 7 is a perspective view of the drill of FIG. 1.

1 Claim, 5 Drawing Sheets



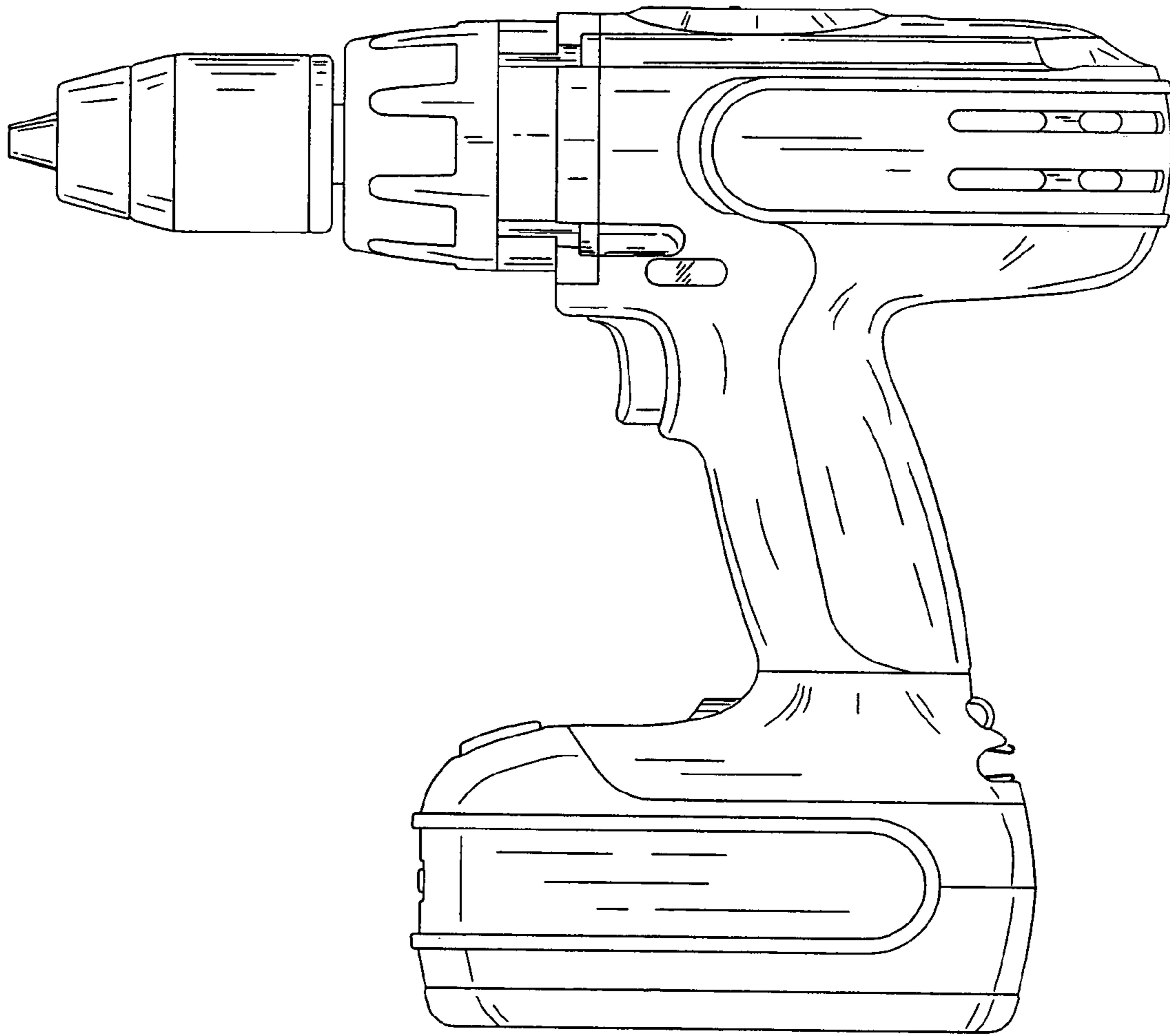


FIG 1

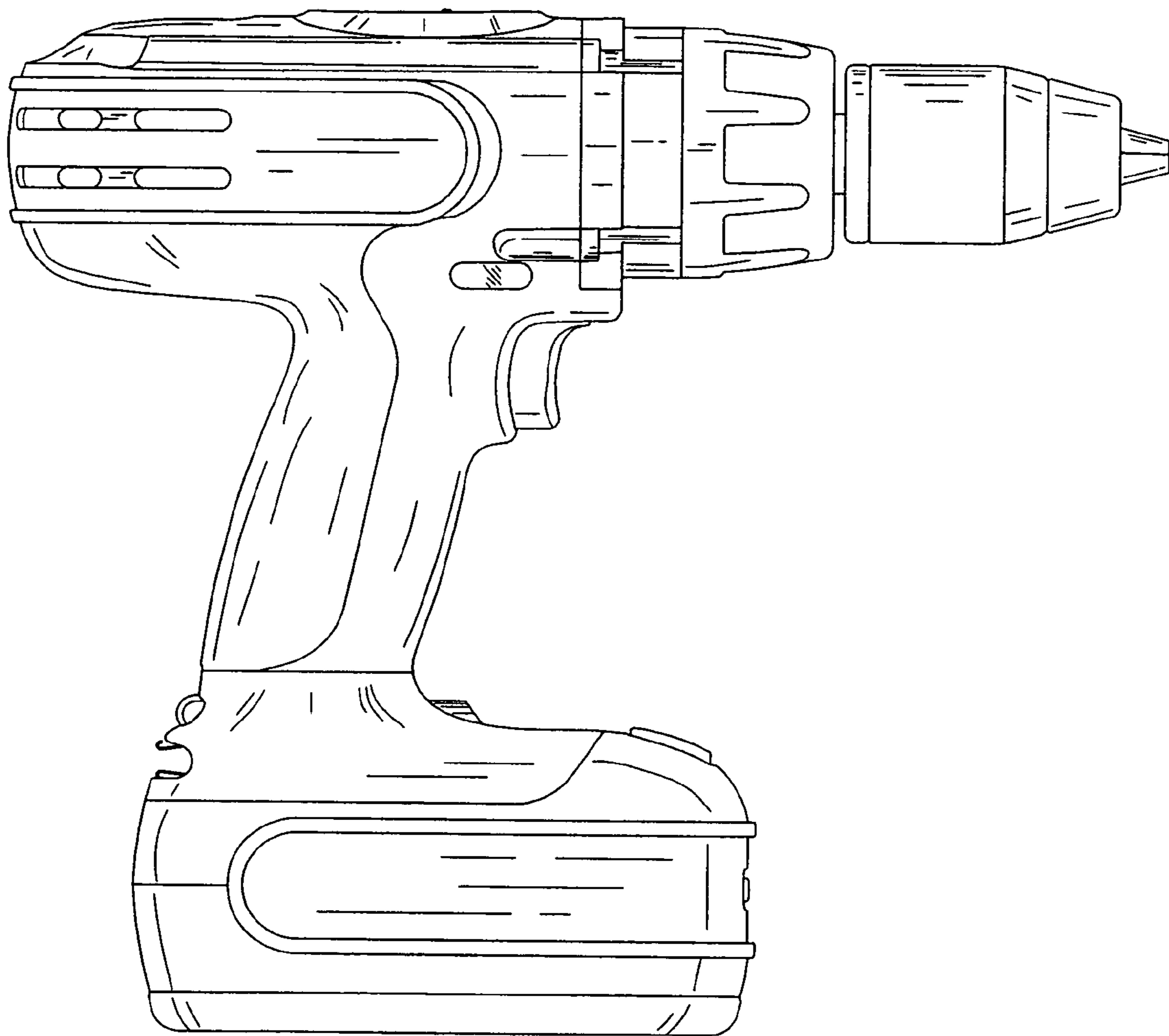


FIG 2

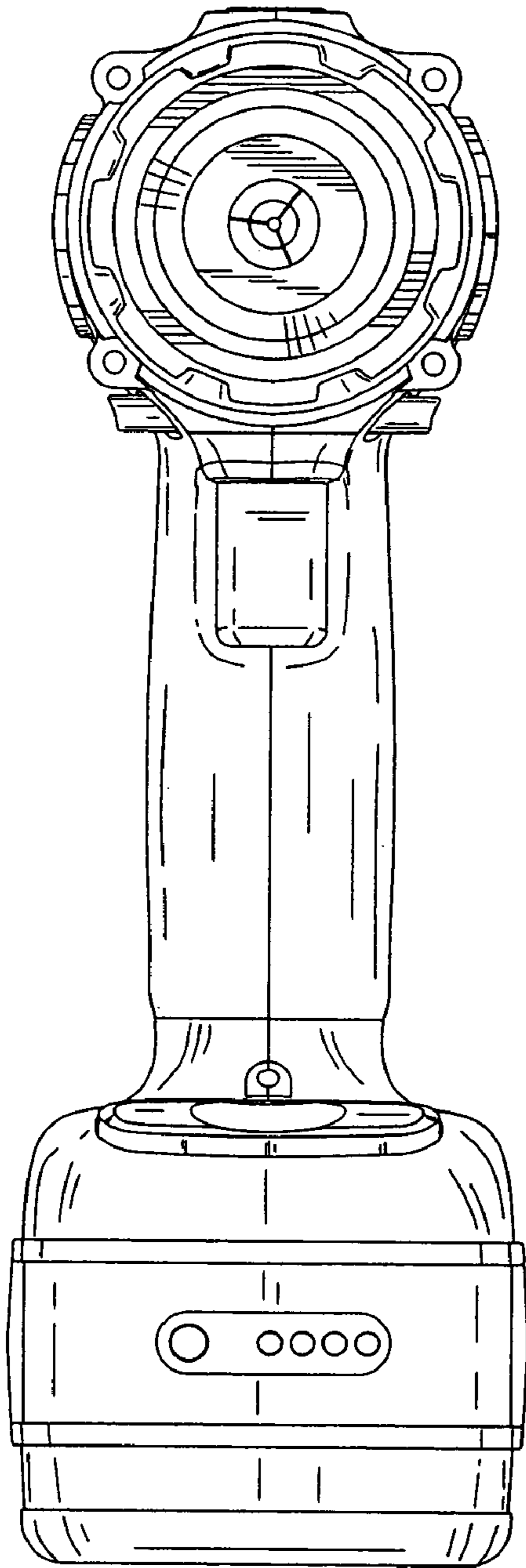


FIG 3

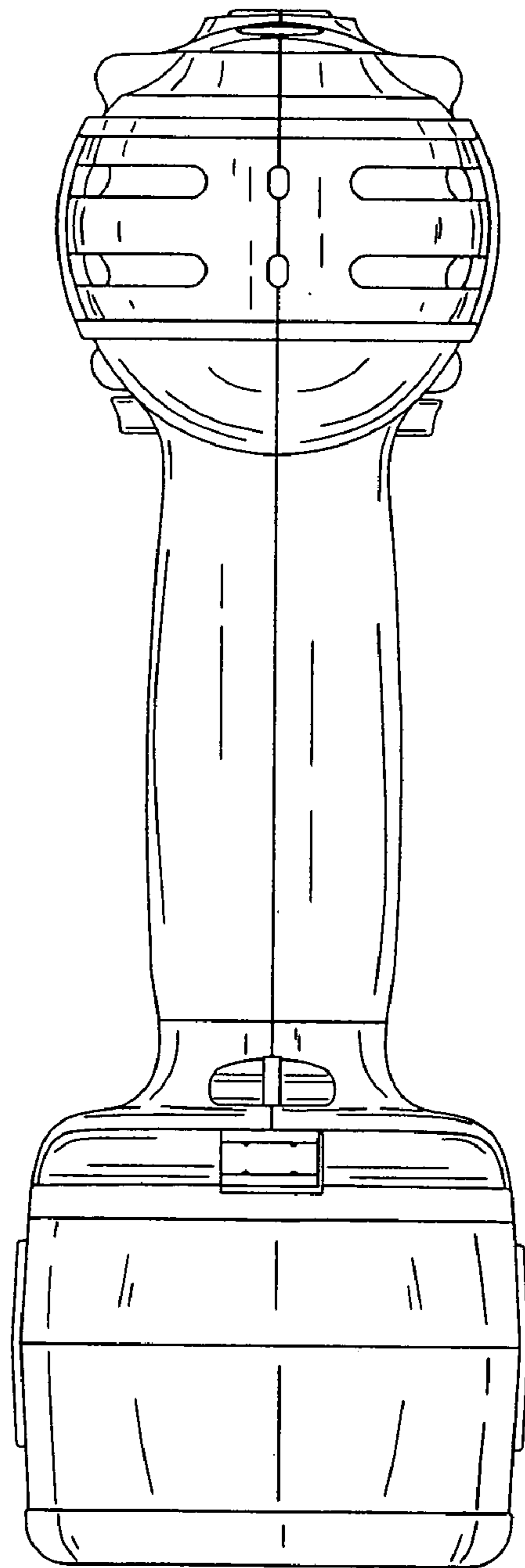


FIG 4

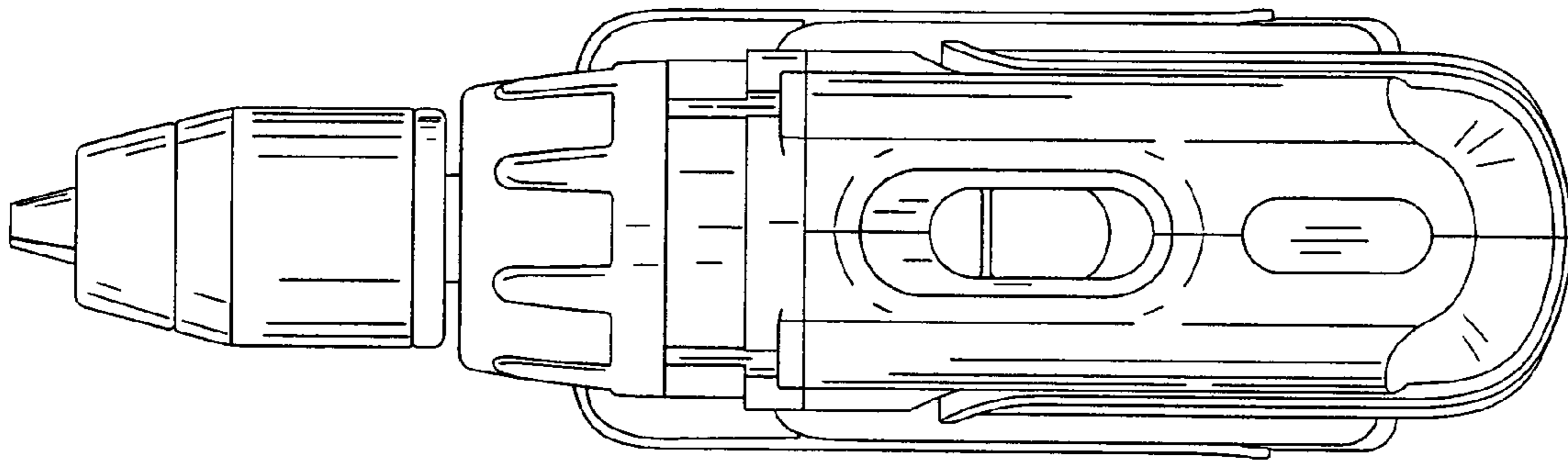


FIG 5

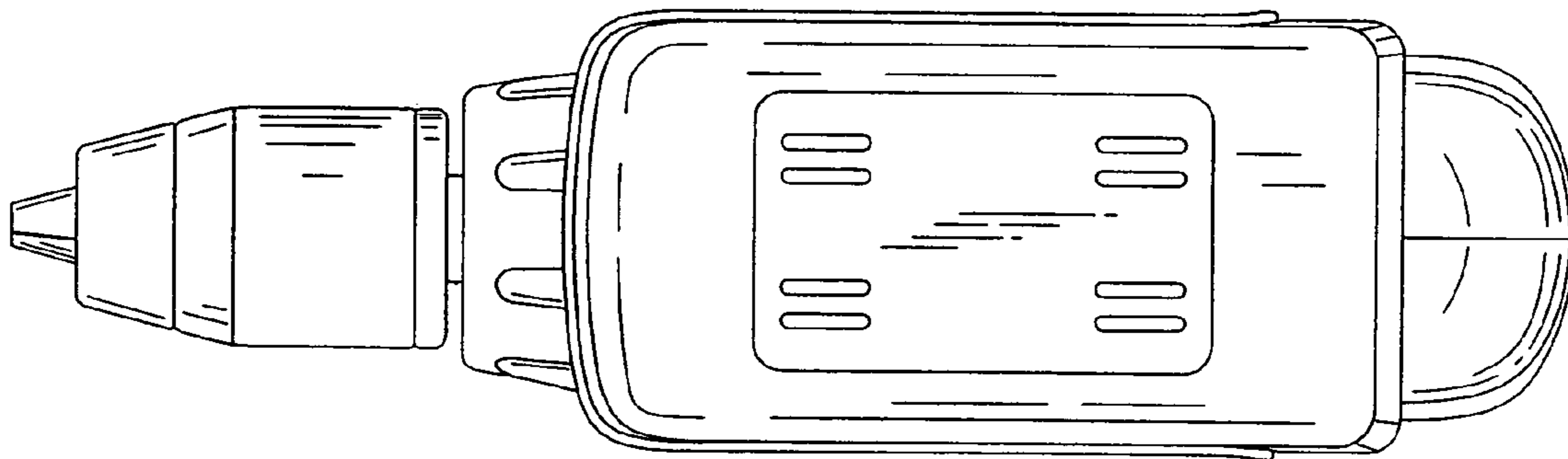


FIG 6

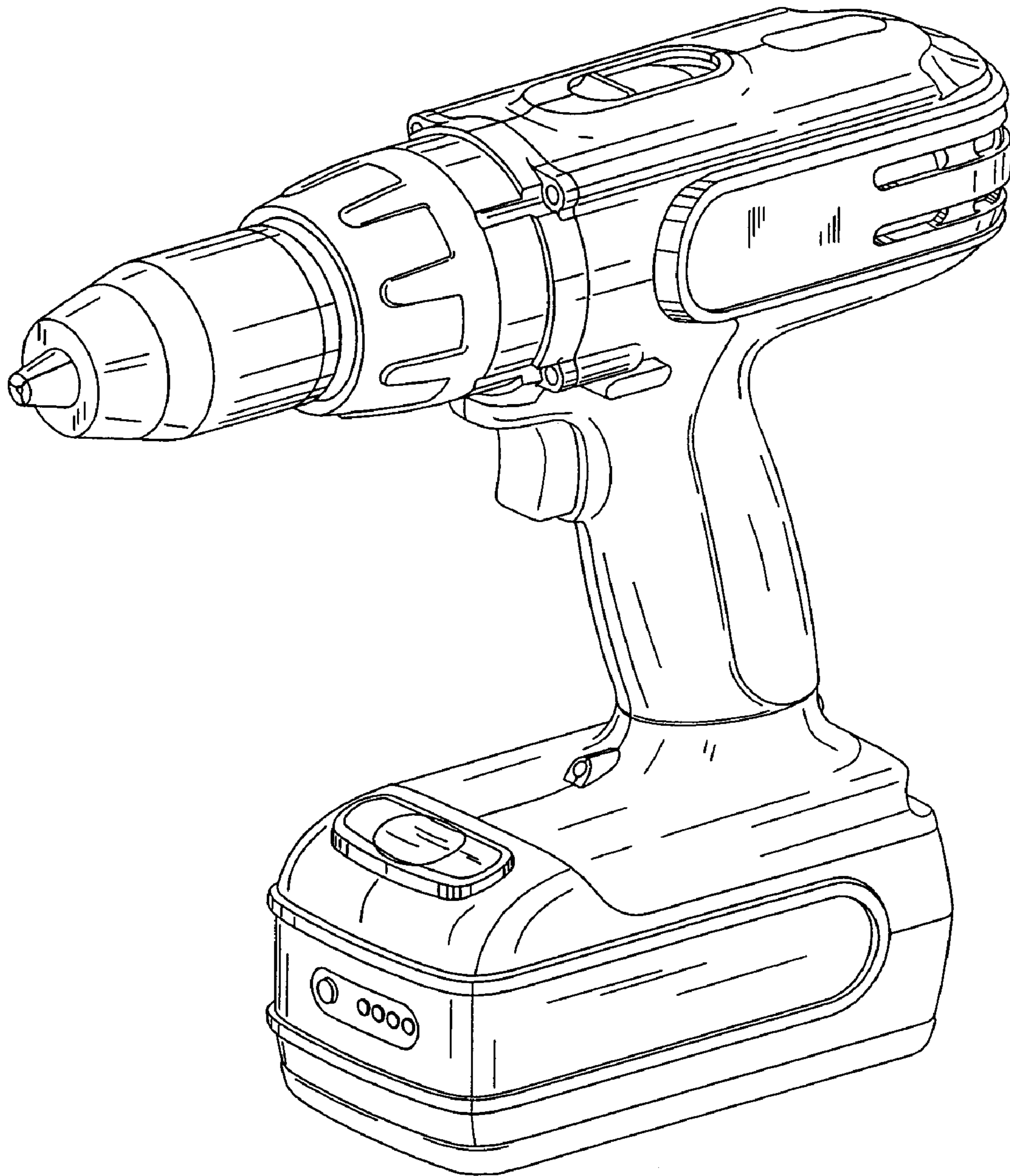


FIG 7