



US00D565370S

(12) **United States Design Patent**
Chiang

(10) **Patent No.:** **US D565,370 S**

(45) **Date of Patent:** **** Apr. 1, 2008**

(54) **CUTTING AND GRINDING TOOL**

(76) Inventor: **Kuo Chin Chiang**, No. 104, Hsinjen
2nd Street, Dali City, Taichung Hsien
(TW) 41249

(**) Term: **14 Years**

(21) Appl. No.: **29/286,933**

(22) Filed: **May 22, 2007**

(51) **LOC (8) Cl.** **08-03**

(52) **U.S. Cl.** **D8/20**

(58) **Field of Classification Search** D8/16,
D8/19, 20, 62, 64, 90-99; D22/117, 118;
7/118, 148; 30/142, 144, 165, 166.3, 272.1,
30/314, 420, 346, 346.5, 346.55, 346.56,
30/346.6, 349, 351, 355, 357

See application file for complete search history.

(56) **References Cited**

U.S. PATENT DOCUMENTS

1,623,906	A *	4/1927	Brooks	30/162
D114,390	S *	4/1939	Bocchino	D8/99
D334,698	S *	4/1993	Bane	D8/62
D383,369	S *	9/1997	Galindo	D8/90
5,855,158	A *	1/1999	Donofrio	30/346

* cited by examiner

Primary Examiner—Caron D. Veynar
Assistant Examiner—Garth Rademaker

(74) *Attorney, Agent, or Firm*—Charles E. Baxley

(57) **CLAIM**

The ornamental design for a cutting and grinding tool, as shown and described.

DESCRIPTION

FIG. 1 is an upper perspective view of a cutting and grinding tool showing my new design;

FIG. 2 is a front elevational view thereof;

FIG. 3 is a rear elevational view thereof;

FIG. 4 is a top plan view thereof;

FIG. 5 is a bottom plan view thereof;

FIG. 6 is a left side elevational view thereof;

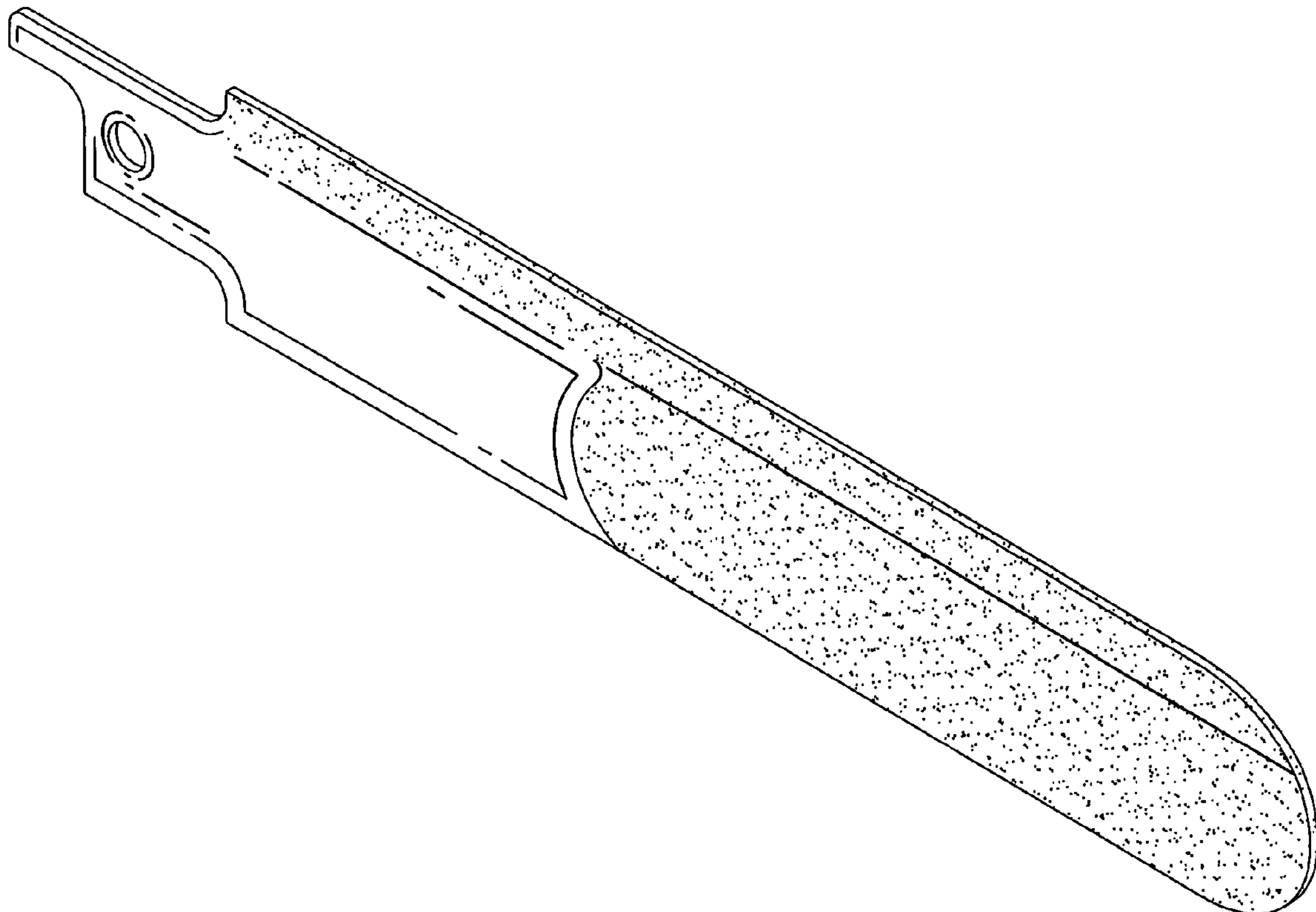
FIG. 7 is a right side elevational view thereof;

FIG. 8 is a second upper perspective view thereof, shown at a reduced scale; and,

FIG. 9 is a third upper perspective view thereof.

The broken lines in FIGS. 8 and 9 depict environmental subject matter only and form no part of the claimed design.

1 Claim, 6 Drawing Sheets



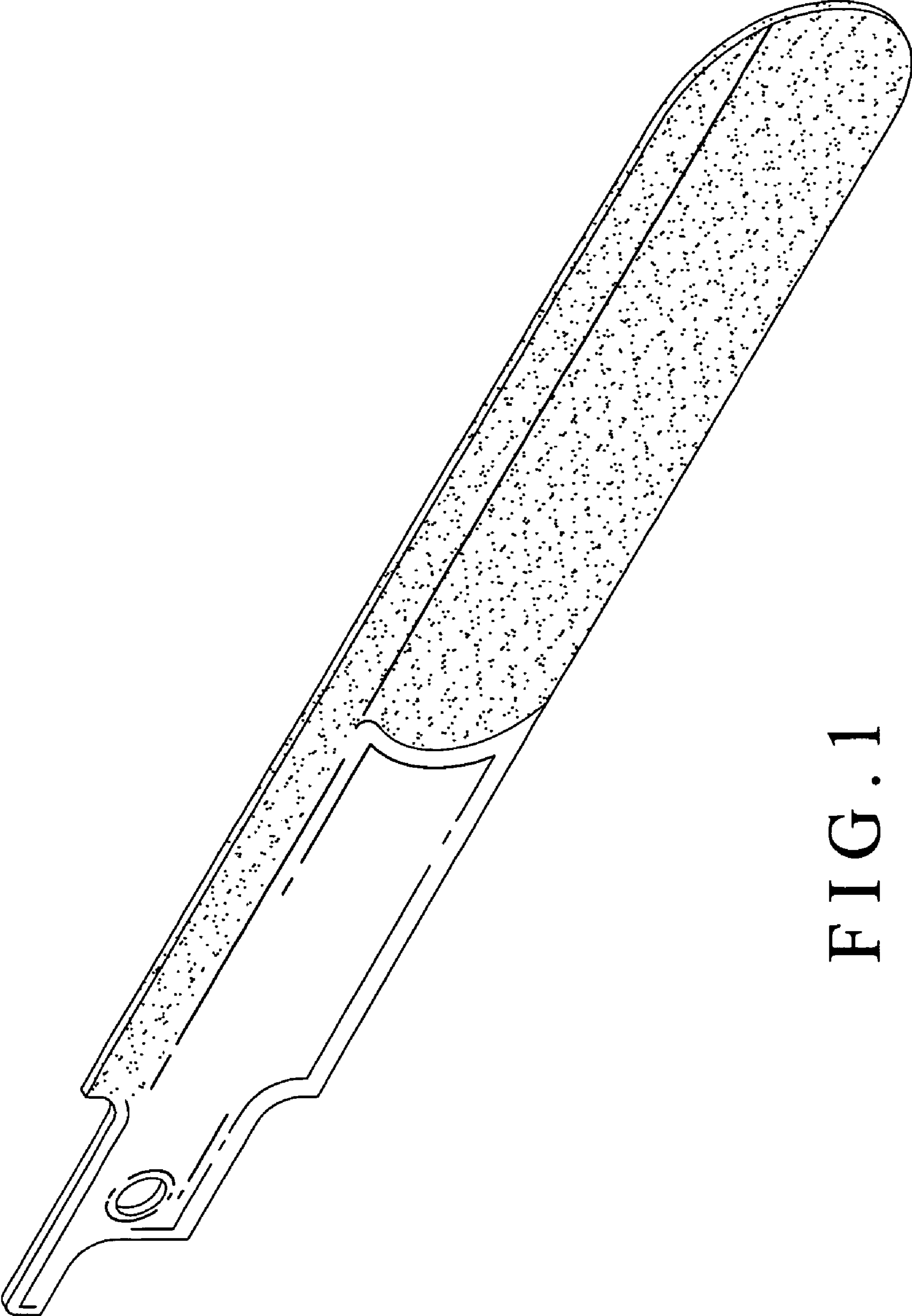


FIG. 1

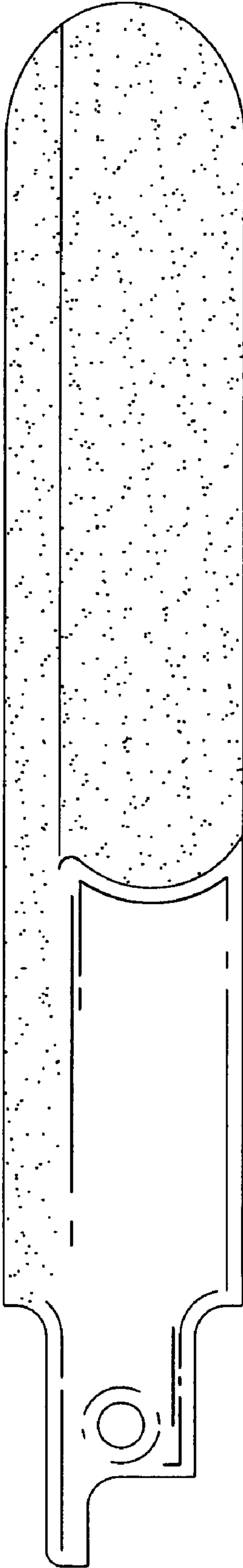


FIG. 2

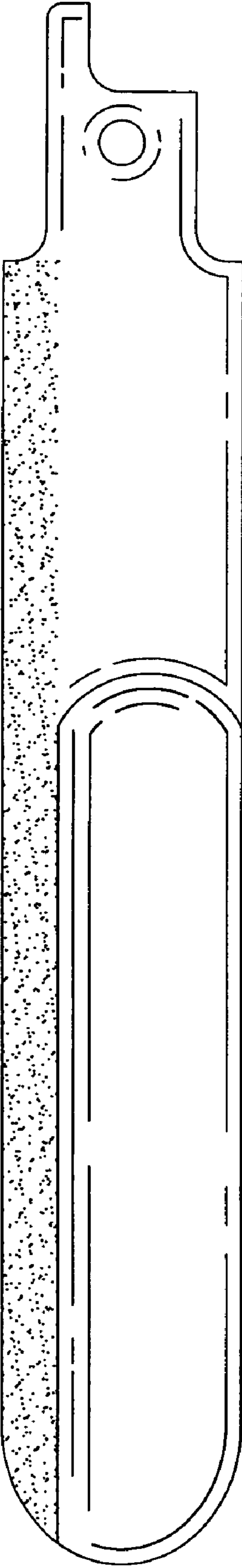


FIG. 3



FIG. 4



FIG. 5



FIG. 7



FIG. 6

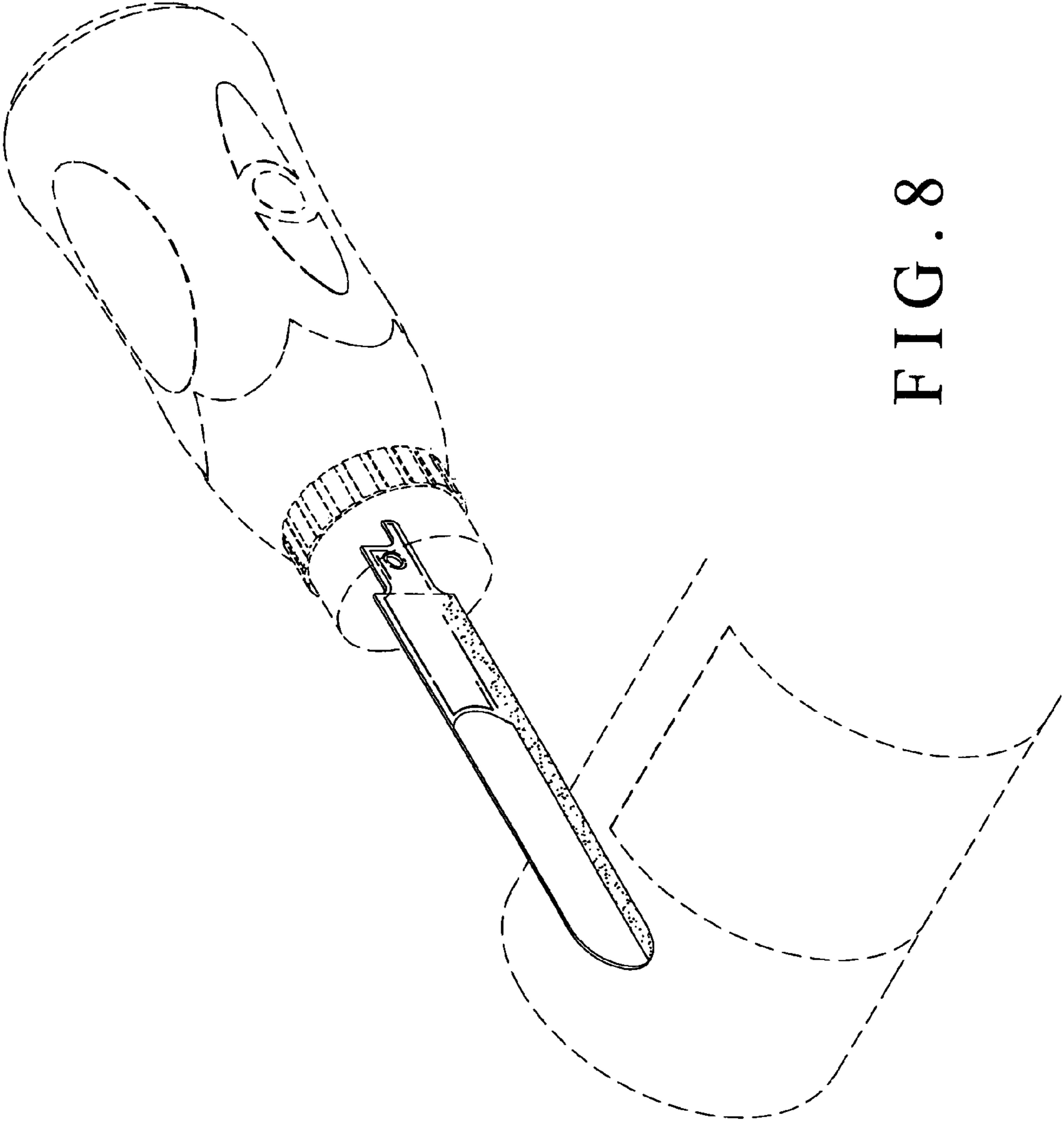


FIG. 8

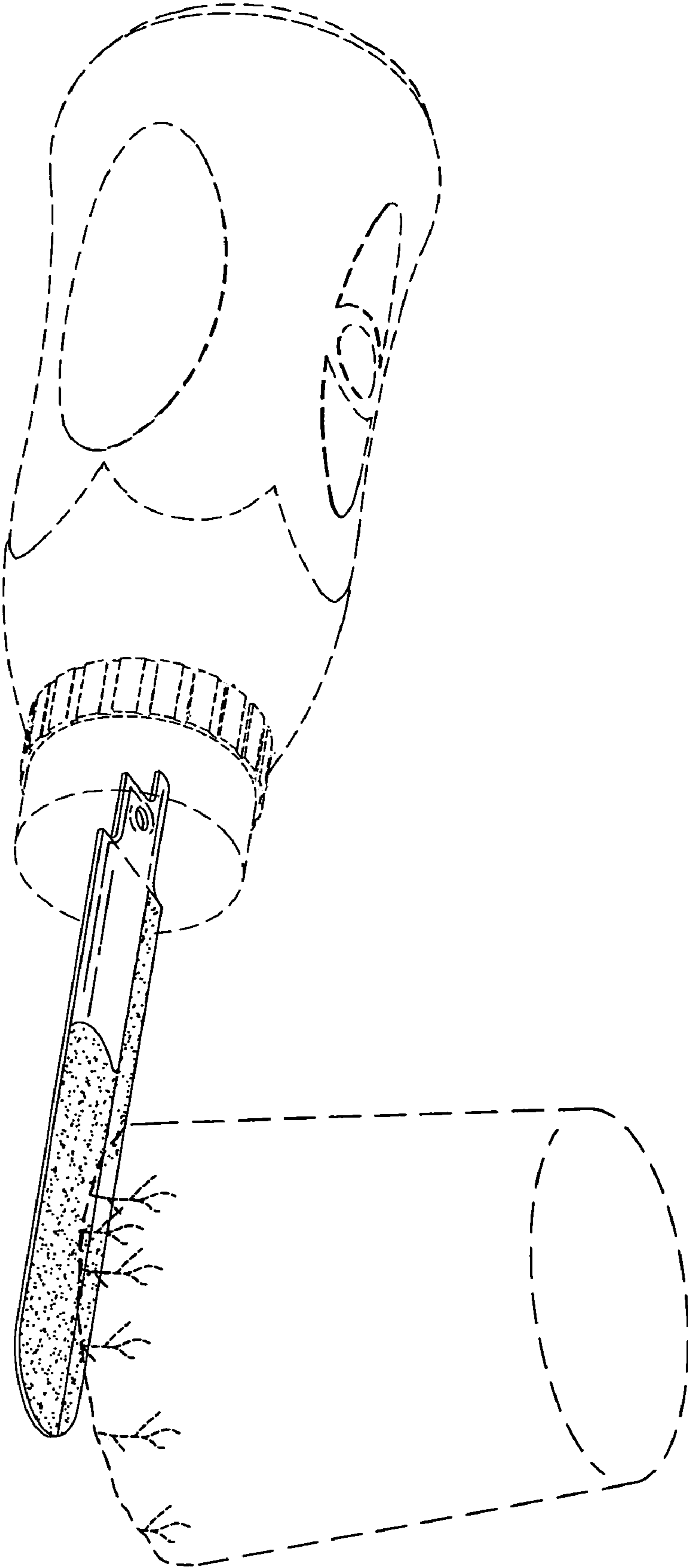


FIG. 9