



US00D565367S

(12) **United States Design Patent**
Büscher

(10) **Patent No.:** **US D565,367 S**

(45) **Date of Patent:** **** Apr. 1, 2008**

(54) **SPADE FORK**

(75) Inventor: **Markus Büscher**, Weinstadt (DE)

(73) Assignee: **Freund Victoria Gartengerate GmbH**,
Schorndorf (DE)

(**) Term: **14 Years**

(21) Appl. No.: **29/275,998**

(22) Filed: **Jan. 11, 2007**

(30) **Foreign Application Priority Data**

Aug. 3, 2006 (EM) 000570510-0005

(51) **LOC (8) Cl.** **08-01**

(52) **U.S. Cl.** **D8/13**

(58) **Field of Classification Search** 56/400.1,
56/400.17; 7/115; 294/49, 55.5; D8/13,
D8/14

See application file for complete search history.

(56) **References Cited**

U.S. PATENT DOCUMENTS

175,528 A * 3/1876 Trussell 254/131.5
234,633 A * 11/1880 Way 294/55.5
D14,544 S * 1/1884 Smith D8/13
951,329 A * 3/1910 Oconnor 294/55.5

998,407 A * 7/1911 Schwandt 7/115
1,022,962 A * 4/1912 Miller 7/115
1,861,526 A * 6/1932 Gordon 7/115
D161,131 S * 12/1950 Scott D8/13
D398,203 S * 9/1998 Naccarato et al. D8/13
D434,288 S * 11/2000 Todd D8/13

* cited by examiner

Primary Examiner—Holly H. Baynham

Assistant Examiner—Sheryl Friedman

(74) *Attorney, Agent, or Firm*—Oppedahl Patent Law Firm
LLC

(57) **CLAIM**

I claim the ornamental design for a spade fork, as shown and described.

DESCRIPTION

FIG. 1 is a perspective view;

FIG. 2 is a rear view;

FIG. 3 is a left side view;

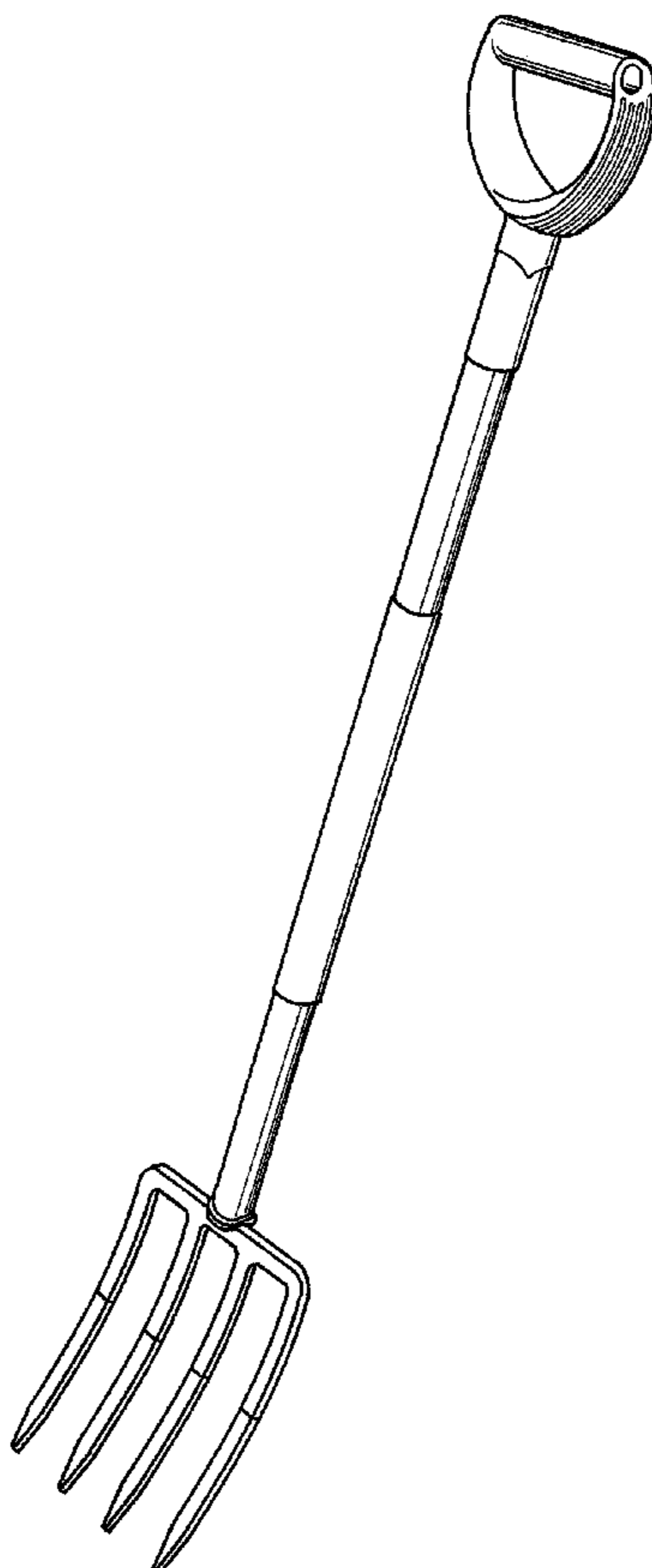
FIG. 4 is a top view;

FIG. 5 is a front view;

FIG. 6 is a right side view; and,

FIG. 7 is a bottom view.

1 Claim, 3 Drawing Sheets



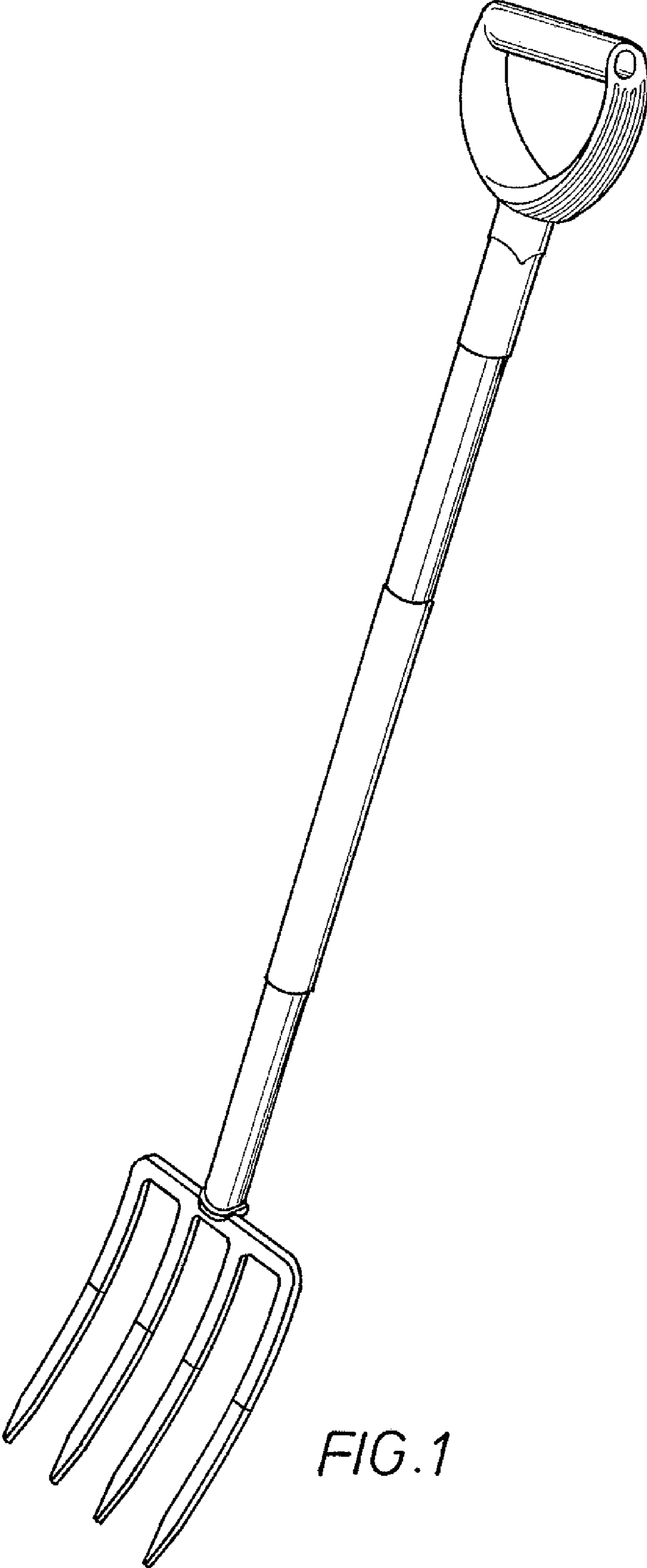


FIG. 1

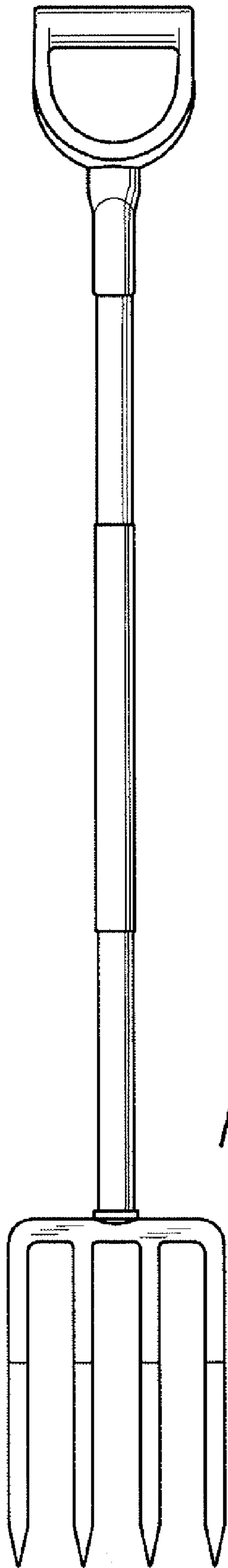


FIG. 2

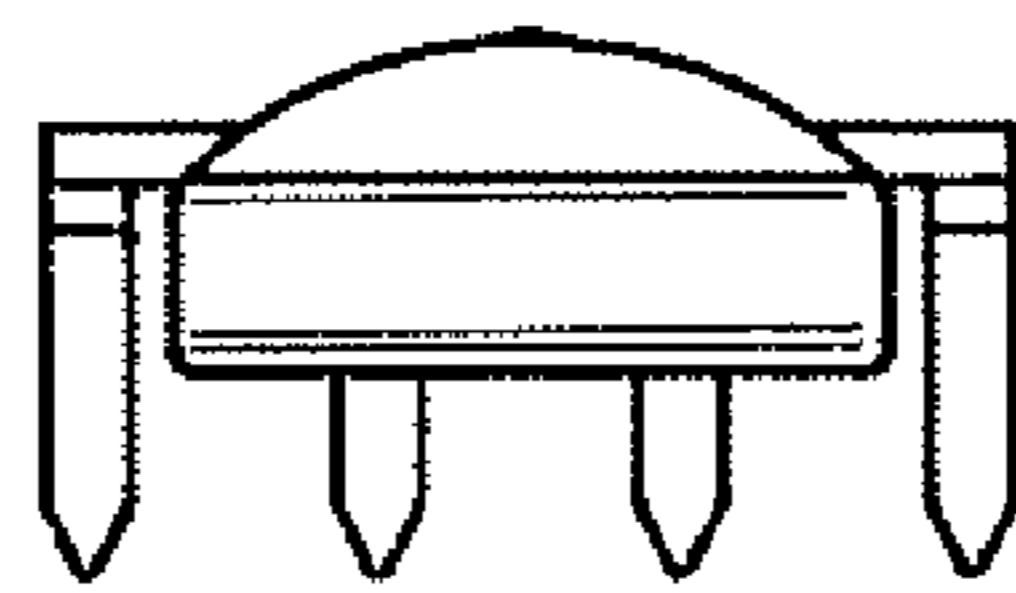


FIG. 4

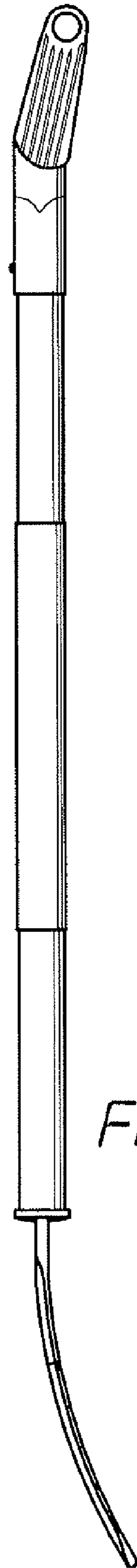


FIG. 3

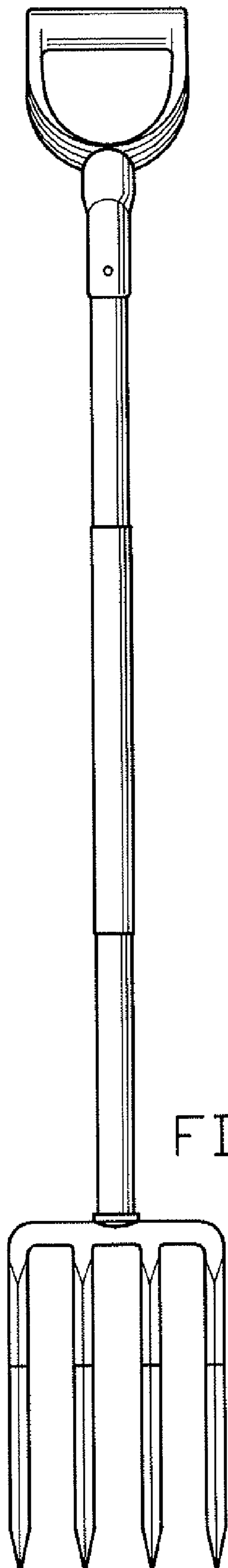


FIG. 5

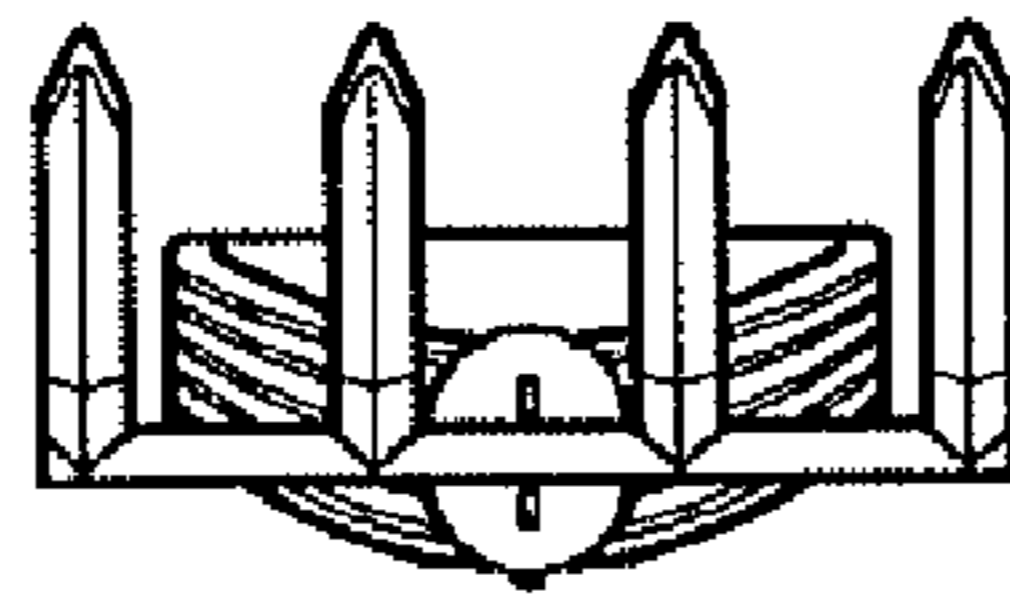


FIG. 7

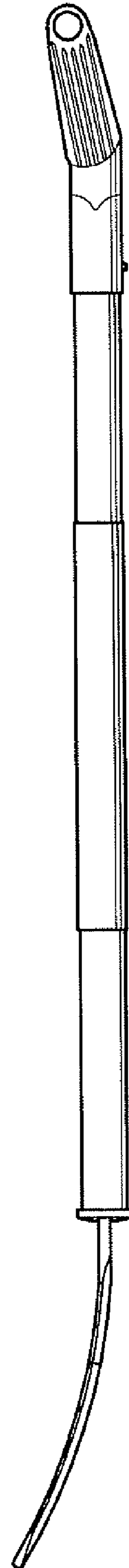


FIG. 6