



US00D565366S

(12) **United States Design Patent**  
**Büscher**

(10) **Patent No.:** **US D565,366 S**

(45) **Date of Patent:** **\*\* Apr. 1, 2008**

(54) **AUTO SHOVEL**

D487,680 S \* 3/2004 Sickler et al. .... D8/10  
D506,654 S \* 6/2005 Costa ..... D8/10  
D548,550 S \* 8/2007 Yeh ..... D8/10

(75) Inventor: **Markus Büscher**, Weinstadt (DE)

(73) Assignee: **Freund Victoria Gartengerate GmbH**,  
Schorndorf (DE)

\* cited by examiner

(\*\*) Term: **14 Years**

*Primary Examiner*—Holly H. Baynham

*Assistant Examiner*—Sheryl Friedman

(21) Appl. No.: **29/275,996**

(74) *Attorney, Agent, or Firm*—Oppedahl Patent Law Firm  
LLC

(22) Filed: **Jan. 11, 2007**

(57) **CLAIM**

(30) **Foreign Application Priority Data**

I claim the ornamental design for an auto shovel, as shown  
and described.

Aug. 3, 2006 (EM) ..... 000570510-0001

**DESCRIPTION**

(51) **LOC (8) Cl.** ..... **08-01**

FIG. 1 is a perspective view;

(52) **U.S. Cl.** ..... **D8/10**

FIG. 2 is a rear view;

(58) **Field of Classification Search** ..... D8/1,  
D8/6, 10, 13; 294/54.5, 49; 56/400.1  
See application file for complete search history.

FIG. 3 is a left side view;

FIG. 4 is a top view;

(56) **References Cited**

FIG. 5 is a front view;

**U.S. PATENT DOCUMENTS**

FIG. 6 is a right side view; and,

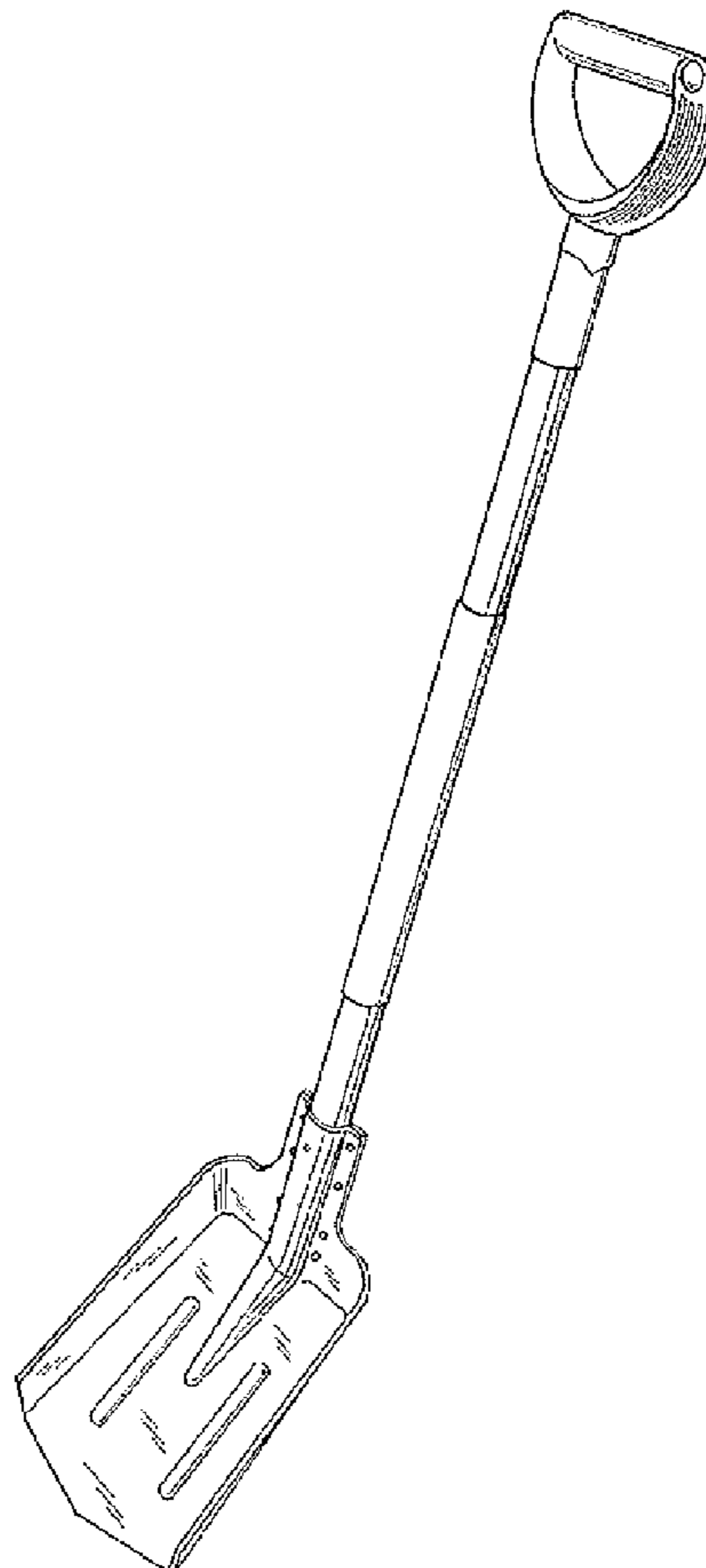
FIG. 7 is a bottom view.

1,445,185 A \* 2/1923 Surbaugh ..... 403/244

D284,733 S \* 7/1986 Hozumi ..... D8/10

D412,429 S \* 8/1999 Toft ..... D8/10

**1 Claim, 3 Drawing Sheets**



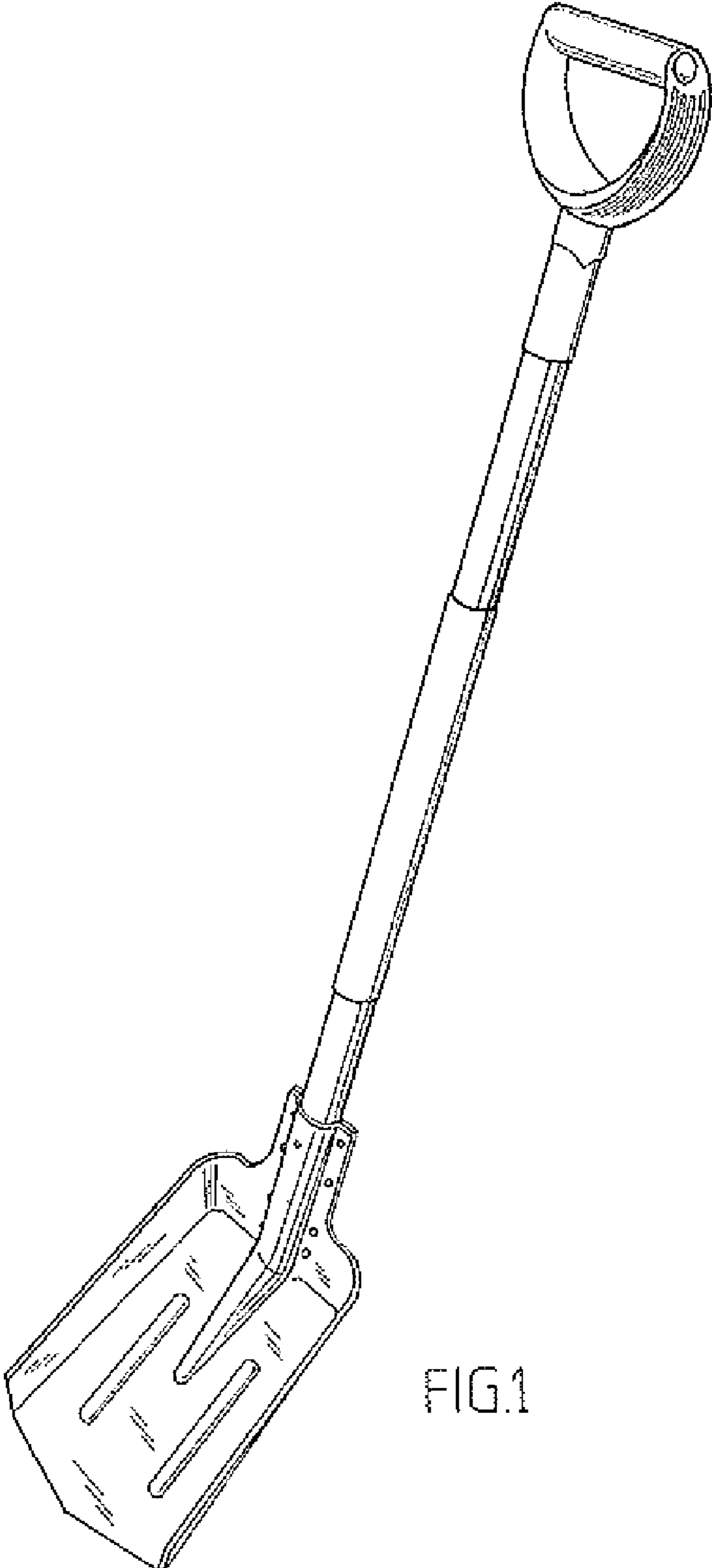


FIG. 1

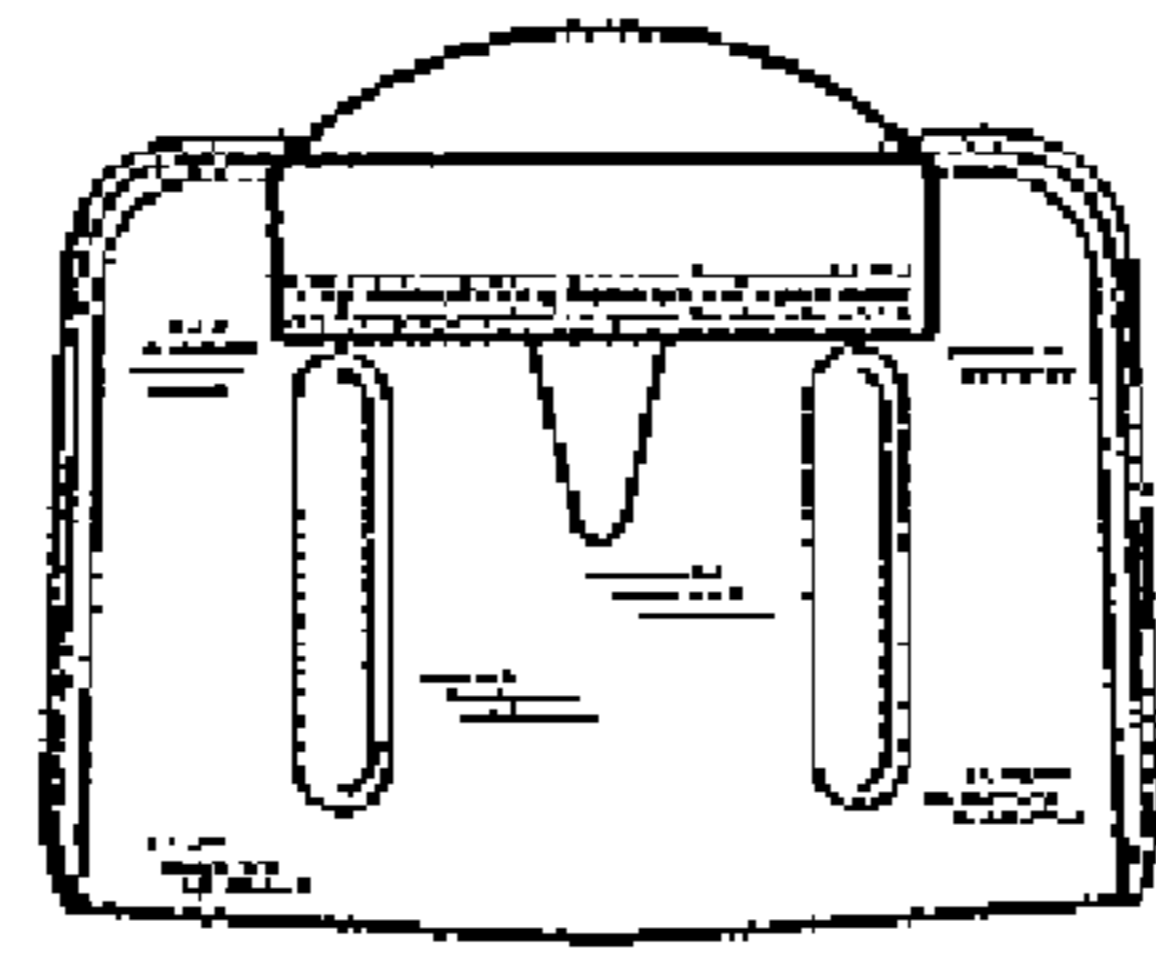
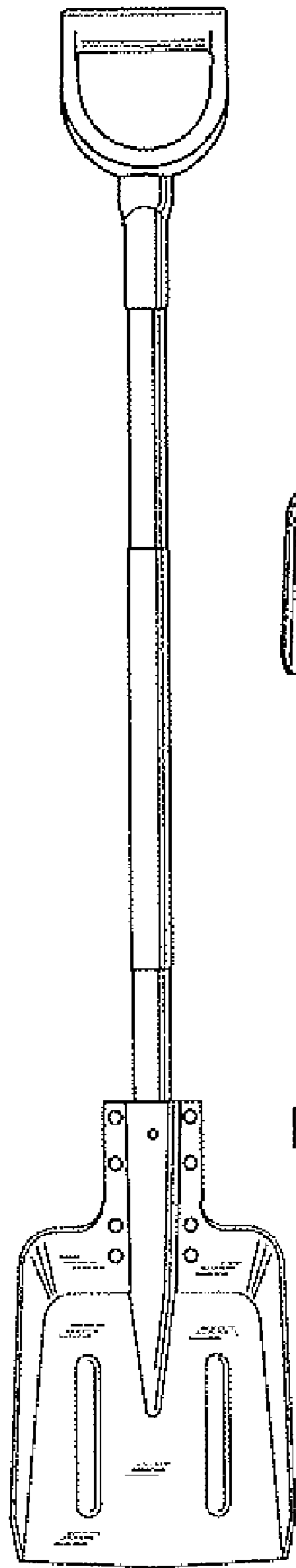


FIG. 4

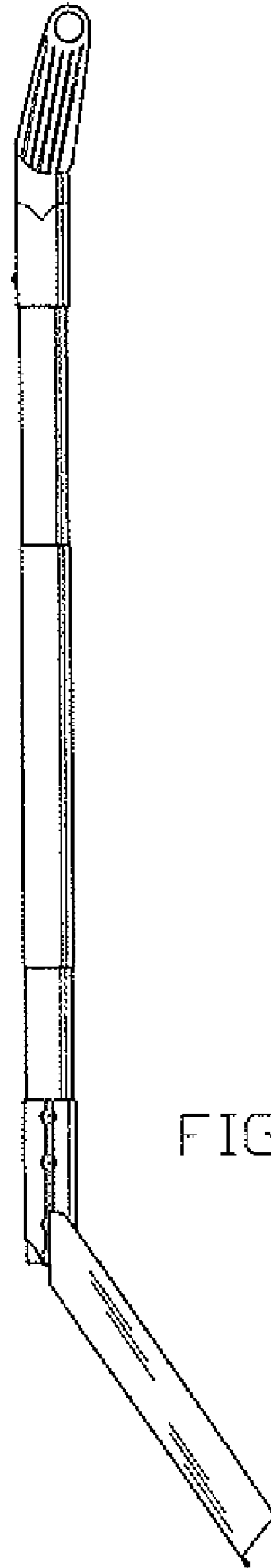


FIG. 3

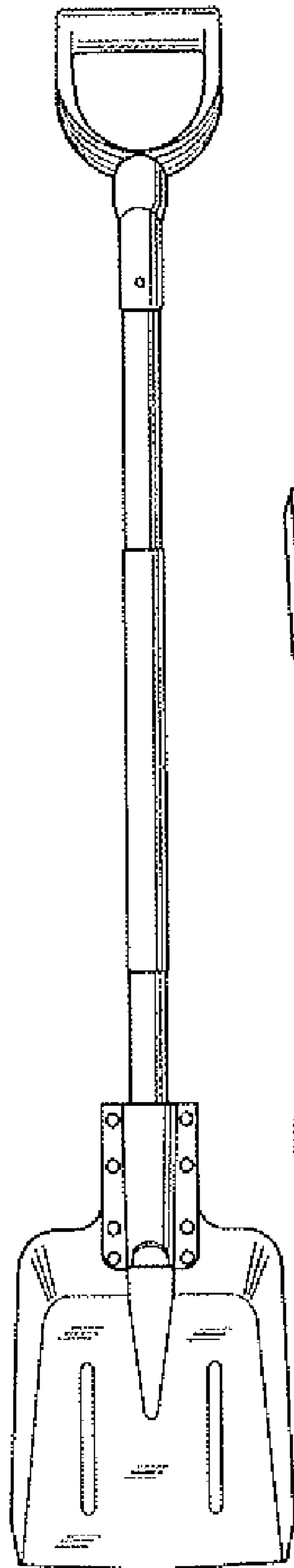


FIG. 5

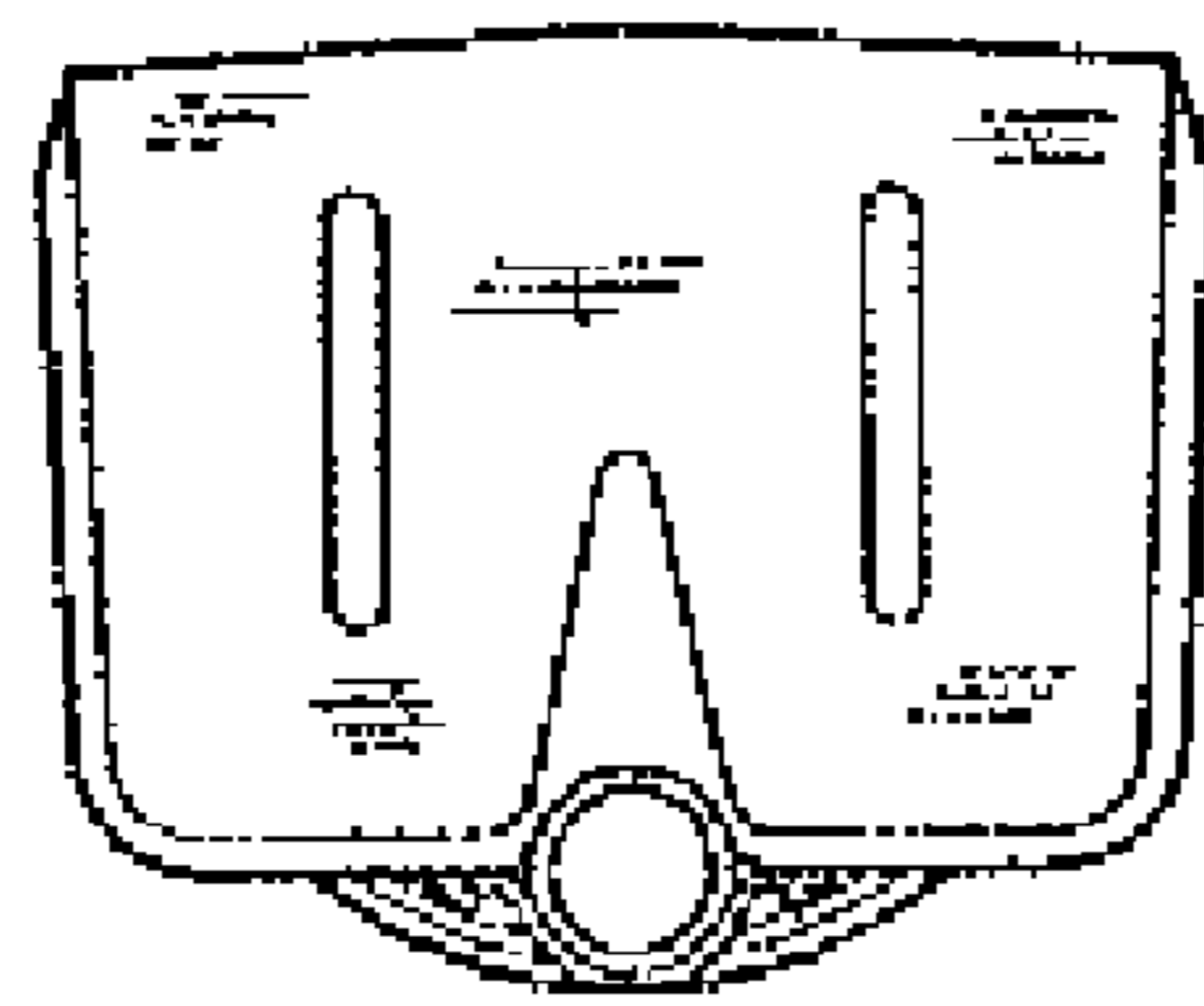


FIG. 7



FIG. 6