



US00D565365S

(12) **United States Design Patent**
Bizzell et al.

(10) **Patent No.:** **US D565,365 S**

(45) **Date of Patent:** **** Apr. 1, 2008**

(54) **CUTTING BOARD ASSEMBLY**

(75) Inventors: **Daniel Lee Bizzell**, Davidson, NC (US); **Jason A. Gammon**, Charlotte, NC (US)

(73) Assignee: **CCB Technologies, LLC**, Charlotte, NC (US)

(**) Term: **14 Years**

(21) Appl. No.: **29/296,404**

(22) Filed: **Oct. 19, 2007**

Related U.S. Application Data

(63) Continuation-in-part of application No. 11/530,889, filed on Sep. 11, 2006.

(51) **LOC (8) Cl.** **07-04**

(52) **U.S. Cl.** **D7/698**

(58) **Field of Classification Search** D7/388, D7/586, 637, 638, 696, 698, 552.2, 699; D32/56-58; 99/446, 449; 269/13-15, 289 R, 269/291, 297, 298, 302.1, 289 MR, 315; D3/283, 289, 900

See application file for complete search history.

(56) **References Cited**

U.S. PATENT DOCUMENTS

- D140,595 S * 3/1945 Browne et al. D7/698
- 2,609,024 A * 9/1952 Russ 269/15
- 3,598,164 A * 8/1971 August 269/13
- D282,043 S * 1/1986 Morin D7/552.2
- 5,366,208 A * 11/1994 Benjamin 269/13
- D357,847 S * 5/1995 Hoffman D7/698
- D374,380 S * 10/1996 Sawatsky D7/698
- 5,938,185 A * 8/1999 Kletter 269/289 R
- 2005/0040580 A1* 2/2005 Davis 269/289 R

2007/0108686 A1* 5/2007 Casale et al. 269/289 R

* cited by examiner

Primary Examiner—Mimosa De

Assistant Examiner—Ricky Pham

(74) *Attorney, Agent, or Firm*—Tillman Wright, PLLC; Chad D. Tillman; James D. Wright

(57) **CLAIM**

The ornamental design for a cutting board assembly, as shown and described.

DESCRIPTION

FIG. 1 is a perspective view of the design for a cutting board assembly in accordance with a first embodiment of the present invention.

FIG. 2 is a top plan view of the cutting board assembly of FIG. 1.

FIG. 3 is a side elevational view of the cutting board assembly of FIG. 1.

FIG. 4 is an end elevational view of the cutting board assembly of FIG. 1.

FIG. 5 is a perspective view of the design for a cutting board assembly in accordance with a second embodiment of the present invention.

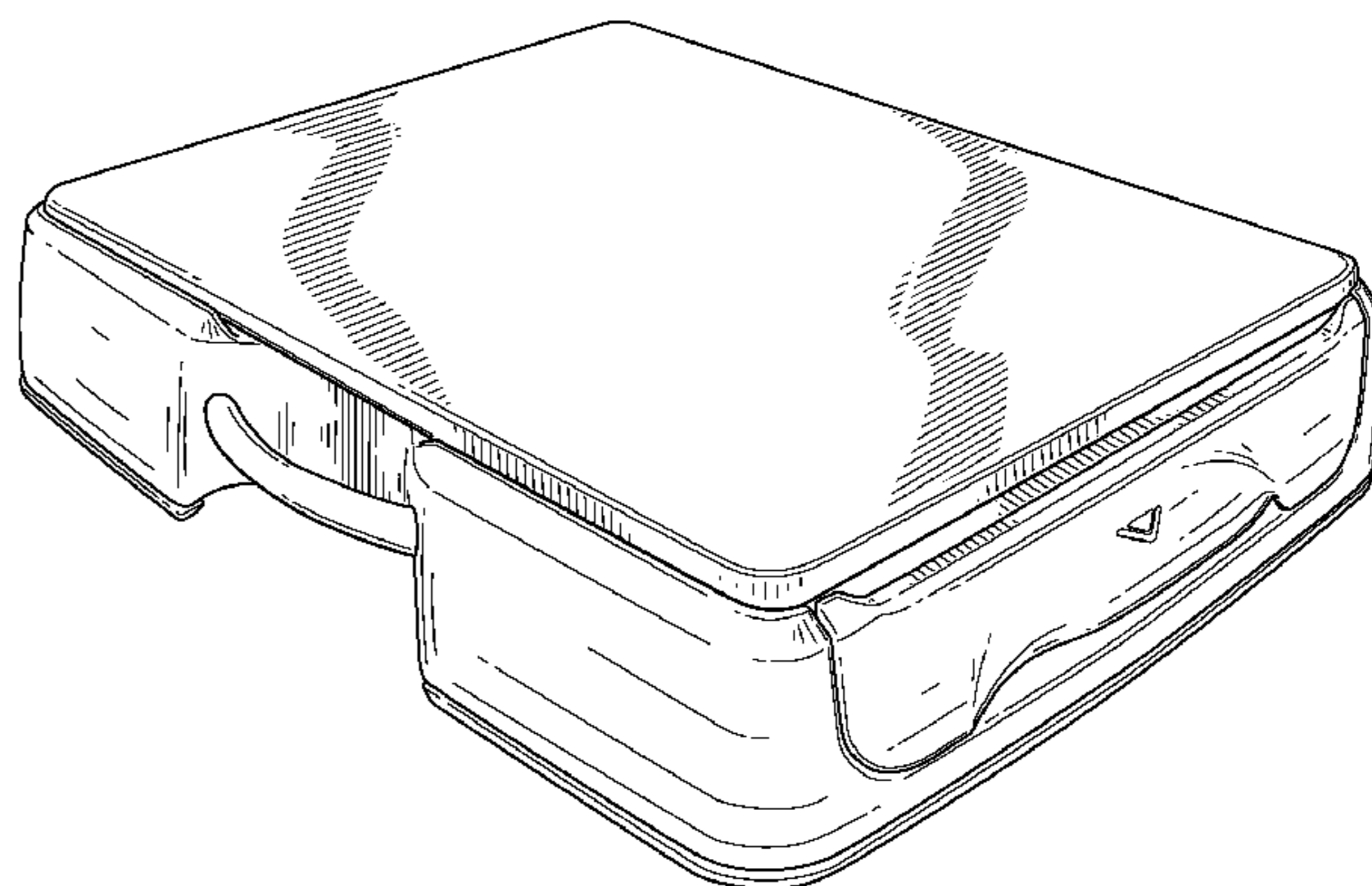
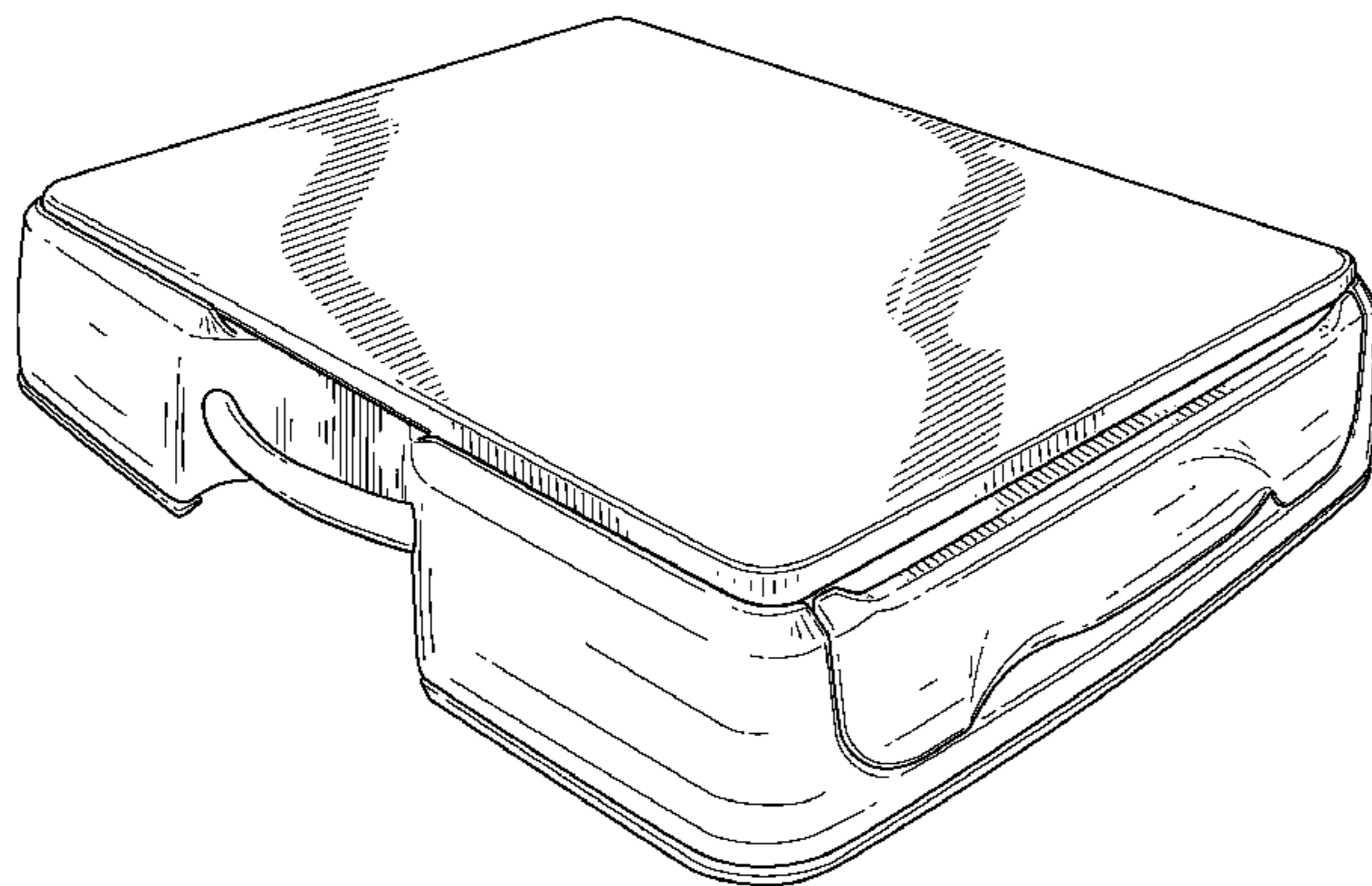
FIG. 6 is a top plan view of the cutting board assembly of FIG. 5.

FIG. 7 is a side elevational view of the cutting board assembly of FIG. 5.

FIG. 8 is a right end elevational view of the cutting board assembly of FIG. 5 illustrating raised areas on the surface of the handle defining an ornamental symbol; and,

FIG. 9 is a left end elevational view of the cutting board assembly of FIG. 5 illustrating raised areas on the surface of the handle defining an ornamental symbol.

1 Claim, 6 Drawing Sheets



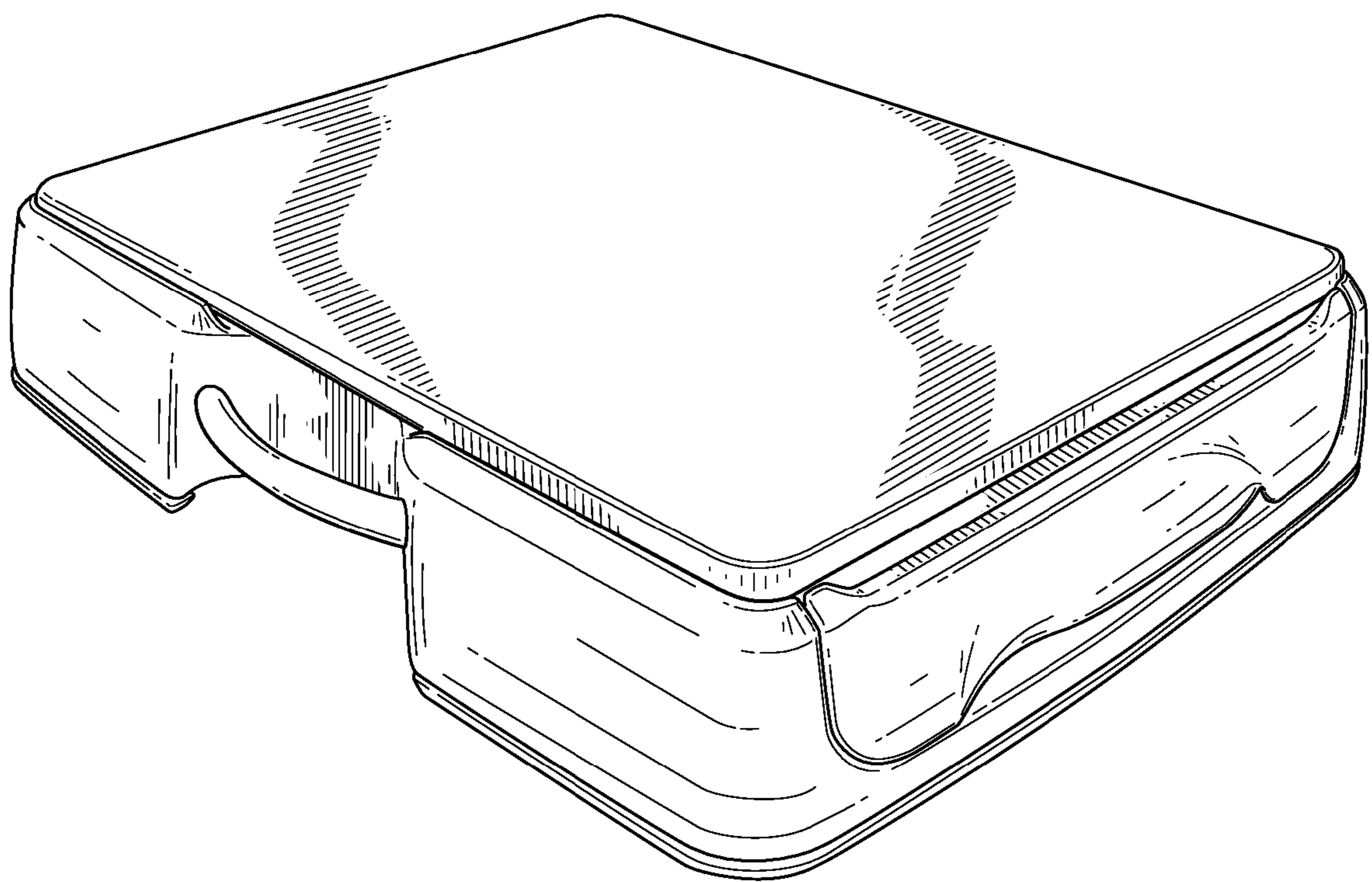


FIG. 1

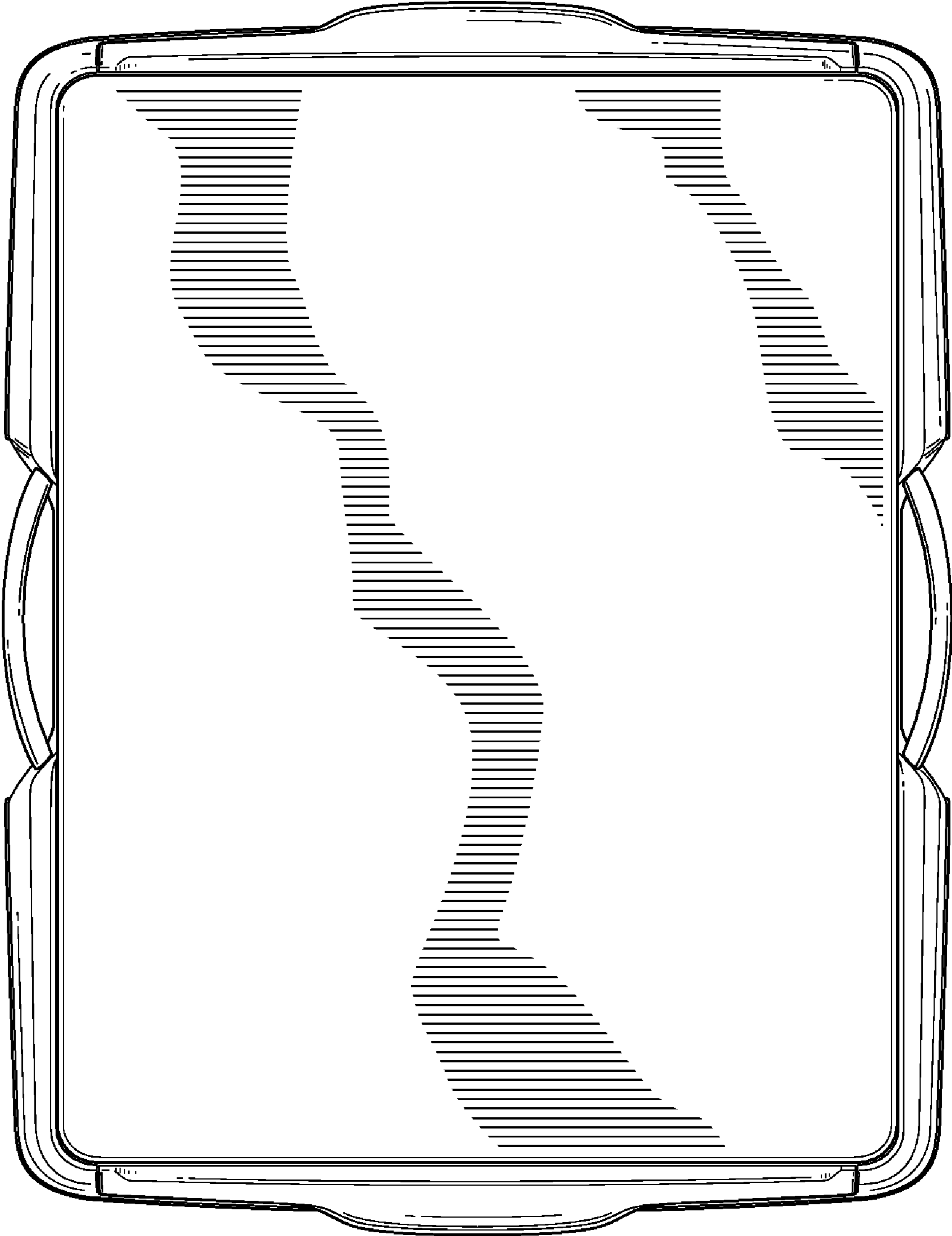


FIG. 2

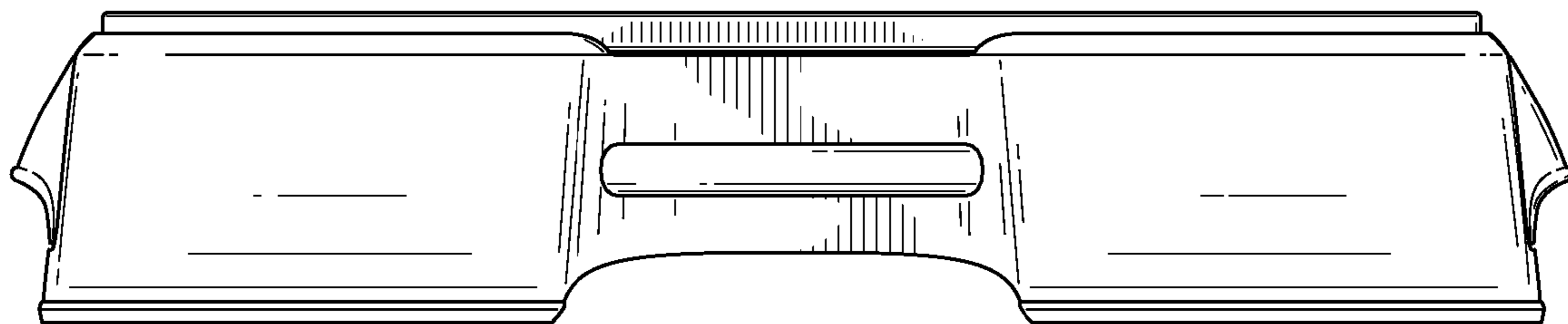


FIG. 3

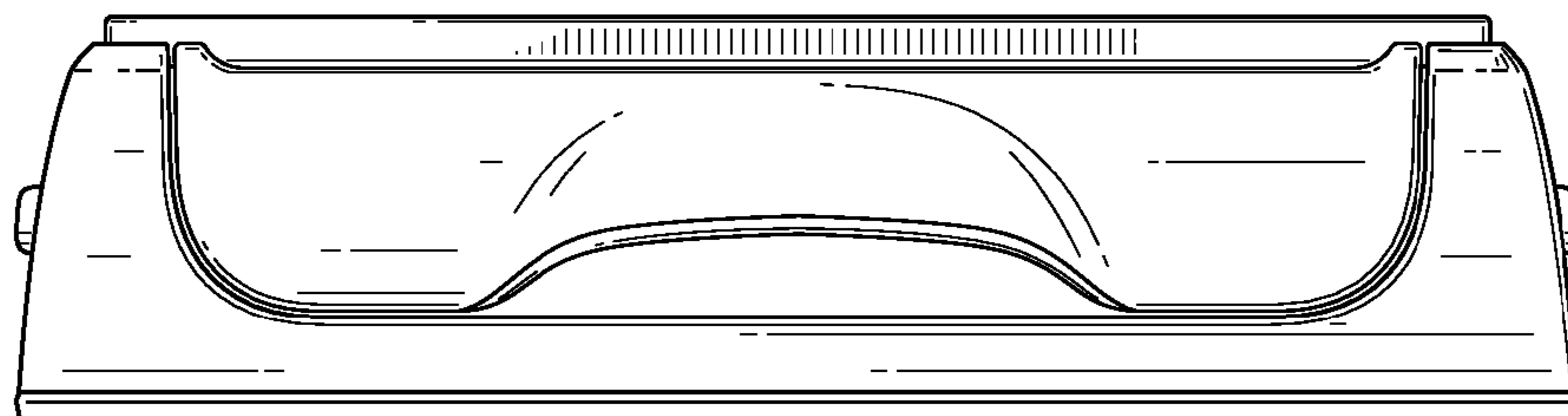


FIG. 4

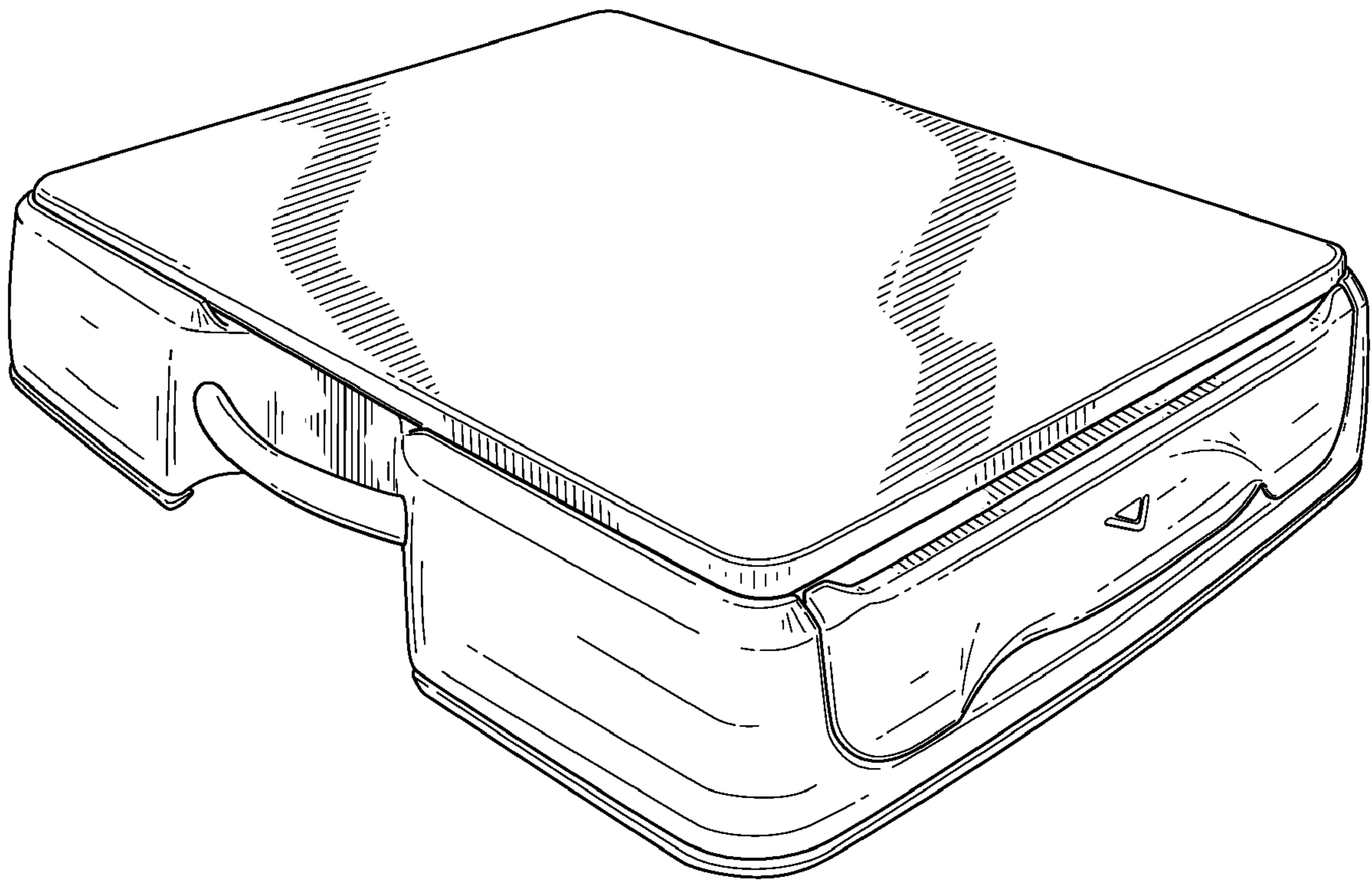


FIG. 5

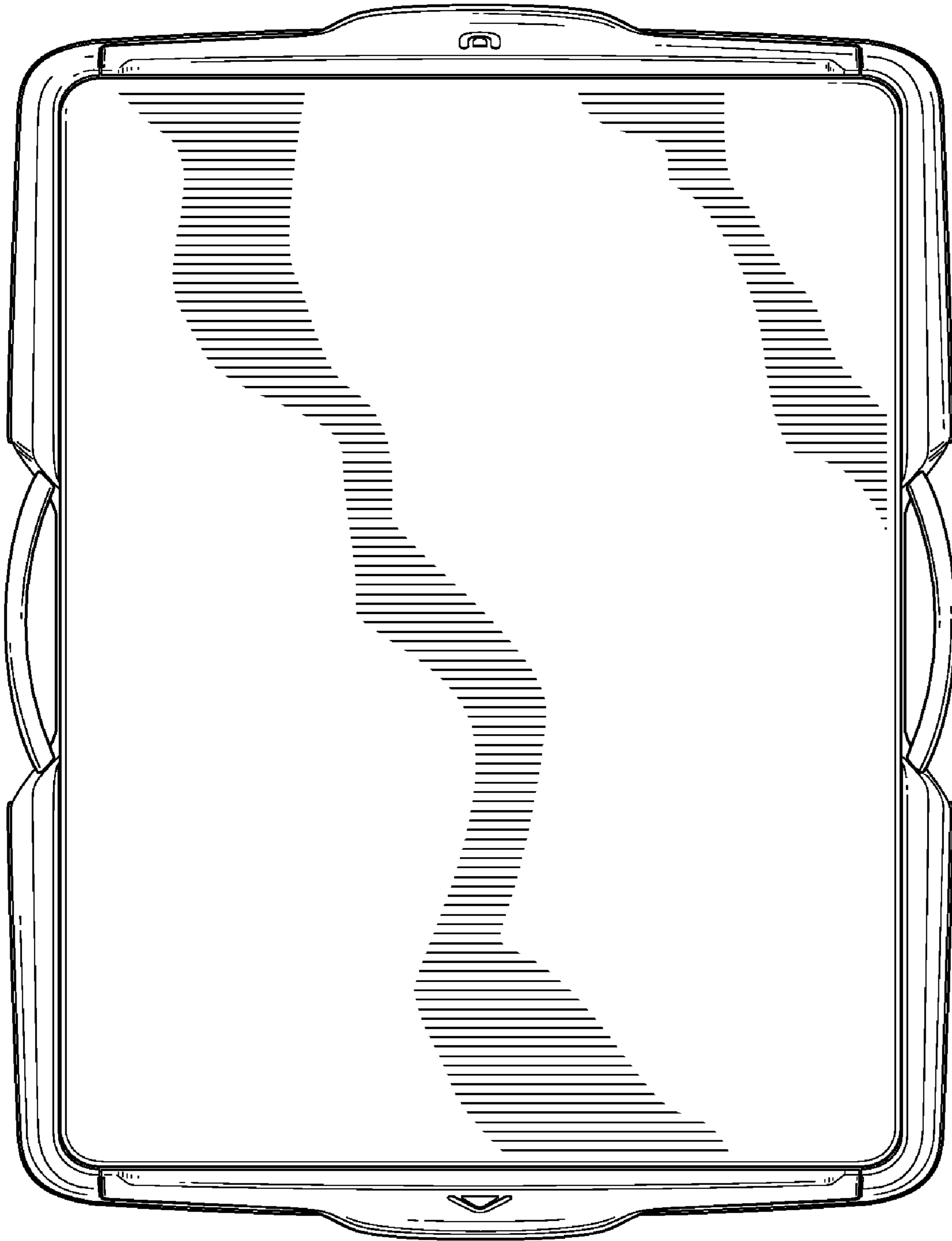


FIG. 6

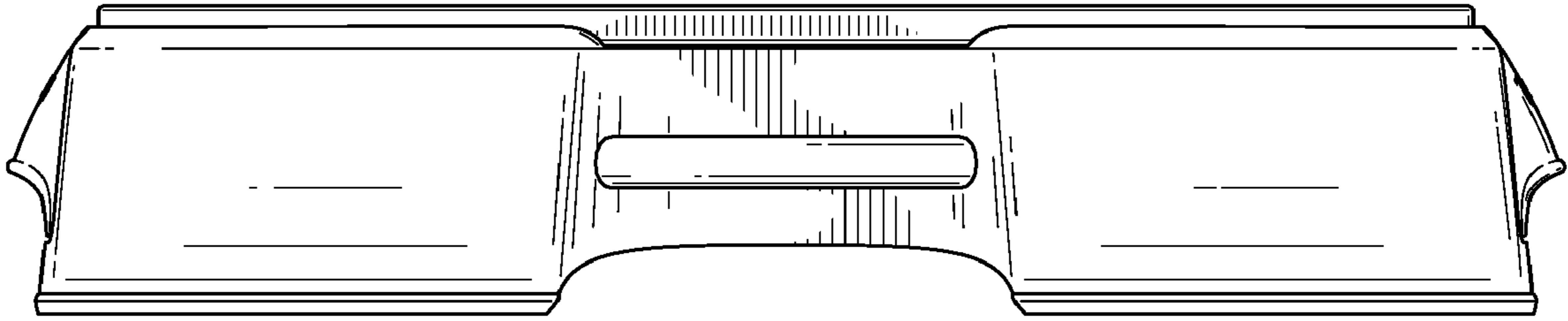


FIG. 7

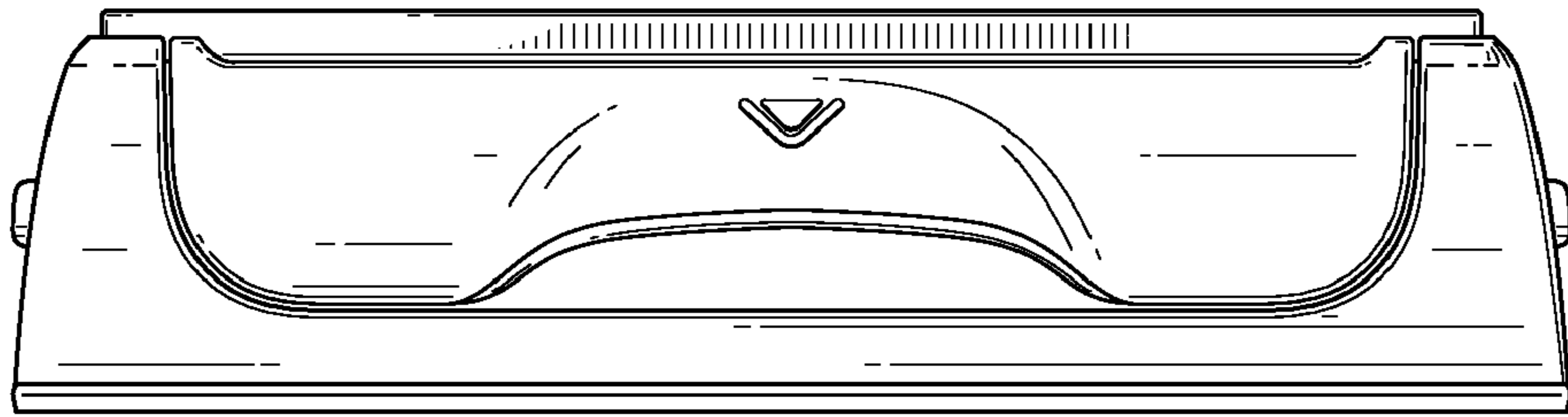


FIG. 8

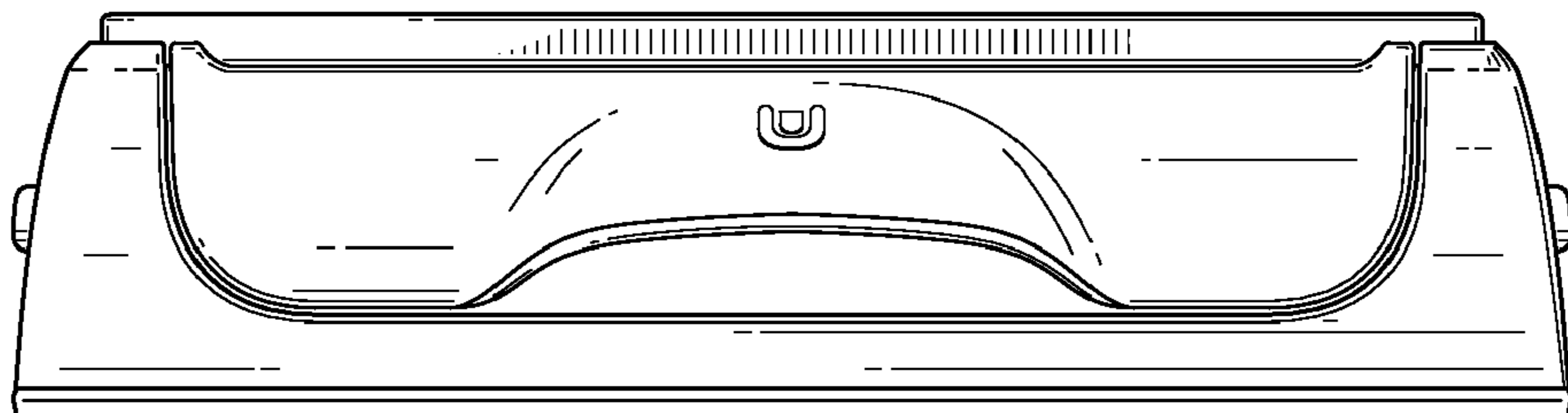


FIG. 9