

US00D565363S

(12) **United States Design Patent**  
**Fouquet**

(10) **Patent No.:** **US D565,363 S**  
(45) **Date of Patent:** **\*\* Apr. 1, 2008**

(54) **PRESS FOR FRUITS OR VEGETABLES  
(ELECTRIC)**

6,609,455 B2 \* 8/2003 Fouquet ..... 99/511  
D489,949 S \* 5/2004 Chung ..... D7/665  
D514,395 S \* 2/2006 Feil ..... D7/665  
2006/0075907 A1 \* 4/2006 Hsu ..... 99/511

(75) Inventor: **Nicolas Fouquet**, Chassieu (FR)

\* cited by examiner

(73) Assignee: **Santos**, Vaulx-en-Velin (FR)

*Primary Examiner*—Terry A Wallace  
(74) *Attorney, Agent, or Firm*—Sughrue Mion, PLLC

(\*\*) Term: **14 Years**

(21) Appl. No.: **29/274,500**

(57) **CLAIM**

(22) Filed: **Apr. 27, 2007**

The ornamental design for a press for fruits or vegetables (electric), as shown.

(30) **Foreign Application Priority Data**

Oct. 27, 2006 (EM) ..... 000612064

**DESCRIPTION**

(51) **LOC (8) Cl.** ..... **31-00**

(52) **U.S. Cl.** ..... **D7/666**

(58) **Field of Classification Search** ..... D7/665–668,  
D7/373, 374, 381, 384; 99/501–513, 495,  
99/499, 348, 357; 241/36, 37.5, 92, 100,  
241/282.1

See application file for complete search history.

FIG. 1 is a perspective view of the top, front and right side of a press for fruits or vegetables (electric) showing my new design;

FIG. 2 is a front elevational view thereof;

FIG. 3 is a top plan view thereof;

FIG. 4 is a bottom plan view thereof;

FIG. 5 is a left side elevational view thereof;

FIG. 6 is a rear elevational view thereof; and,

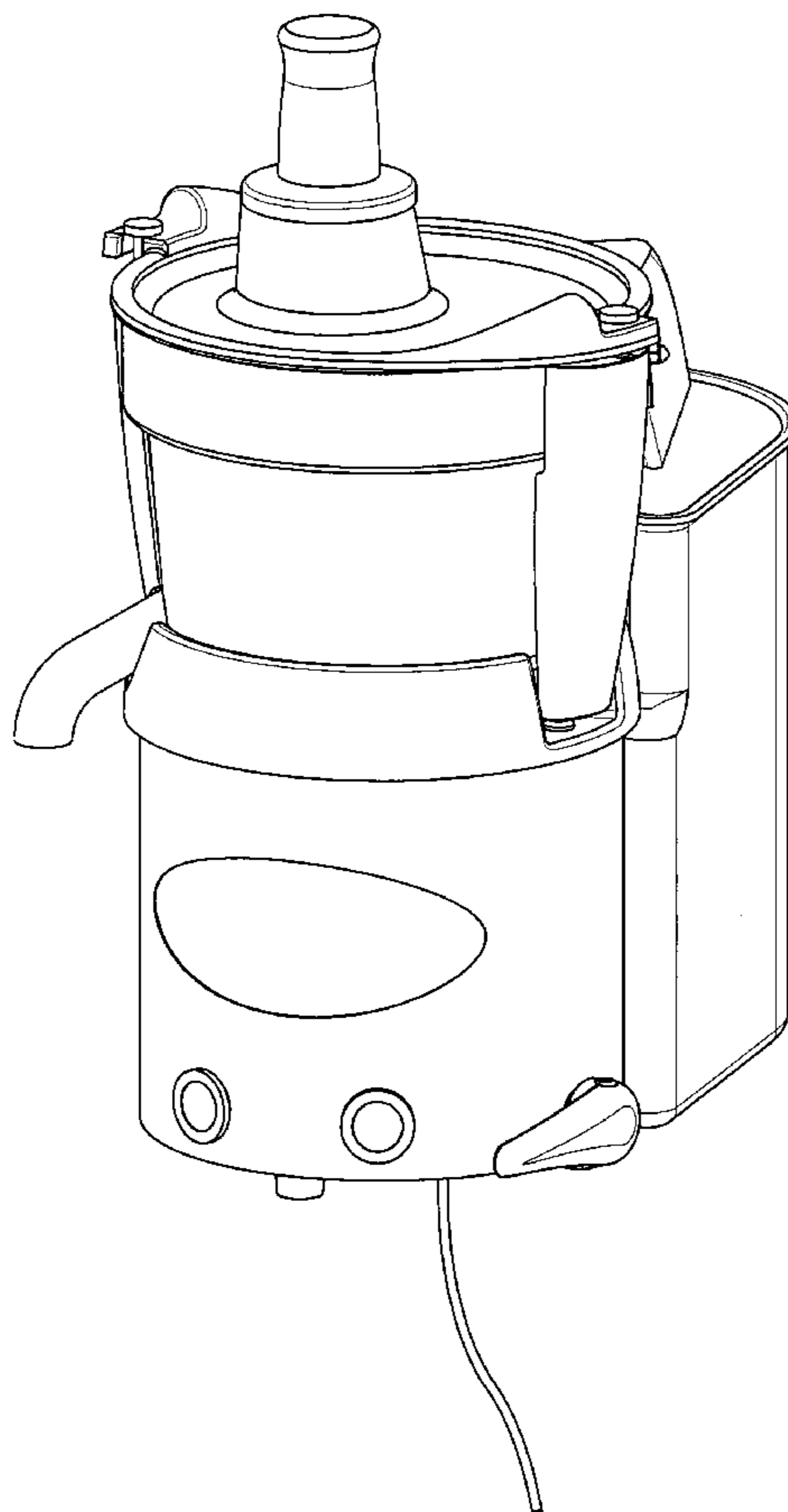
FIG. 7 is a right side elevational view thereof.

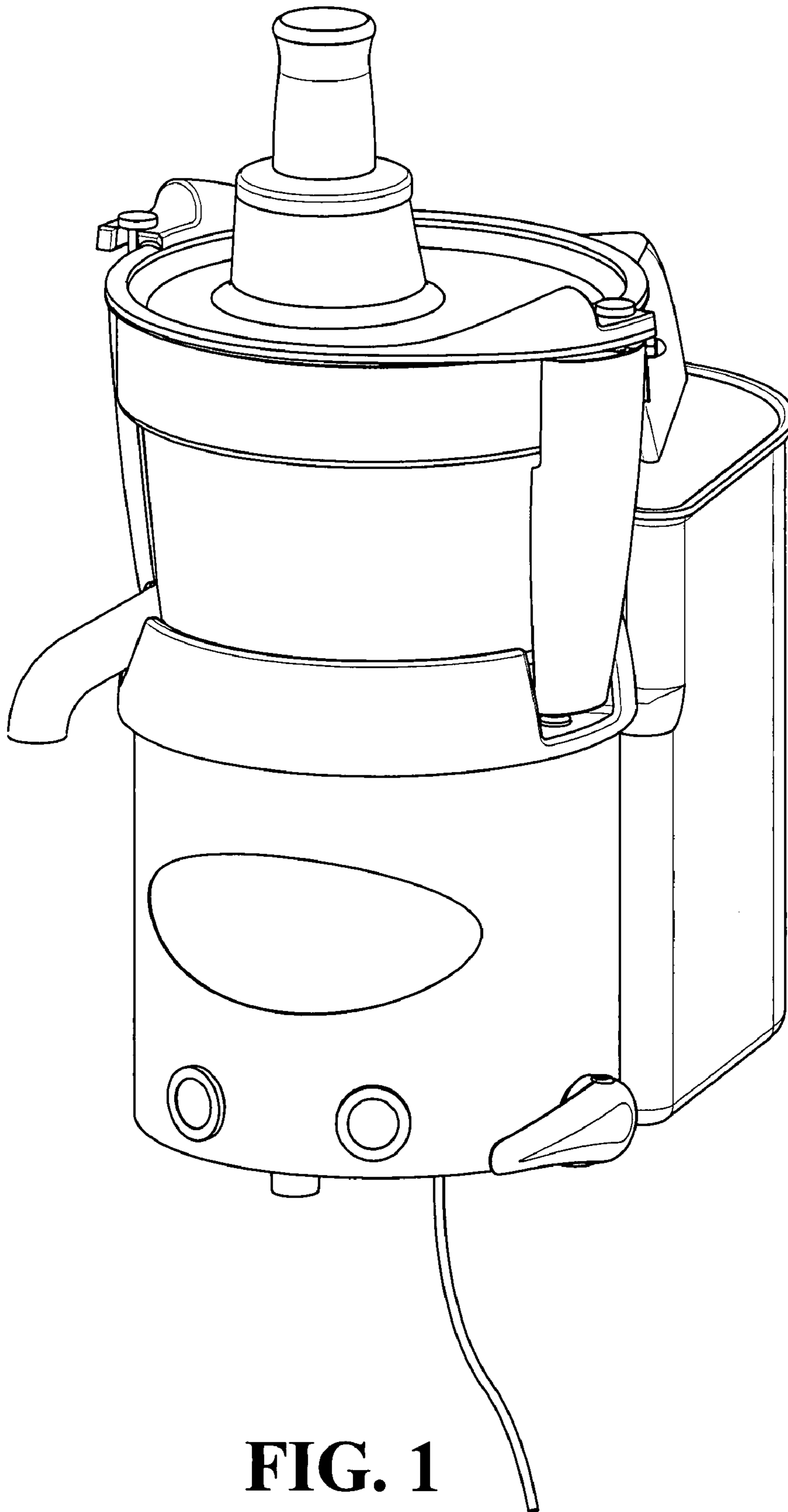
(56) **References Cited**

**U.S. PATENT DOCUMENTS**

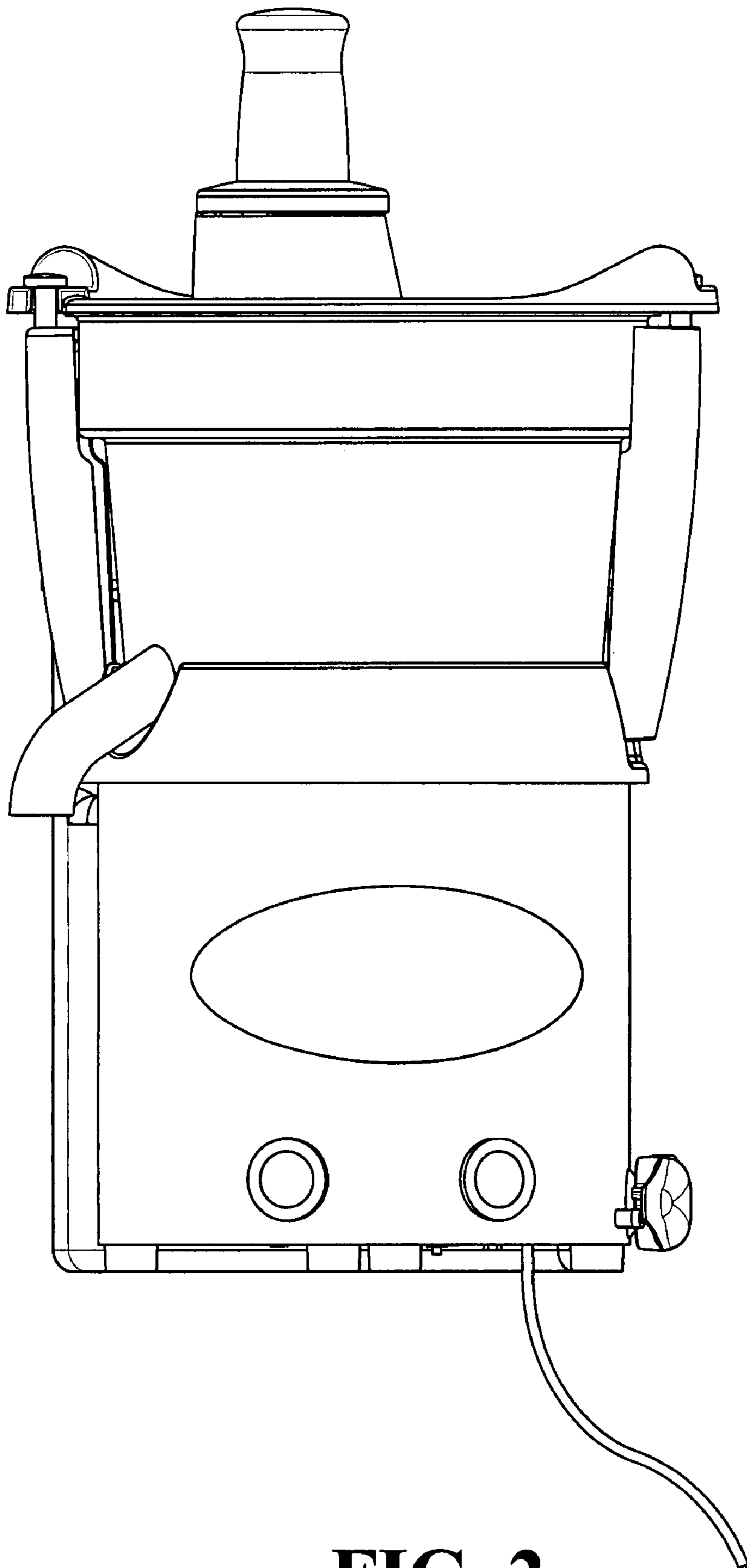
D249,441 S \* 9/1978 Fukumoto et al. .... D7/665  
6,058,833 A \* 5/2000 Ling et al. .... 99/510

**1 Claim, 7 Drawing Sheets**

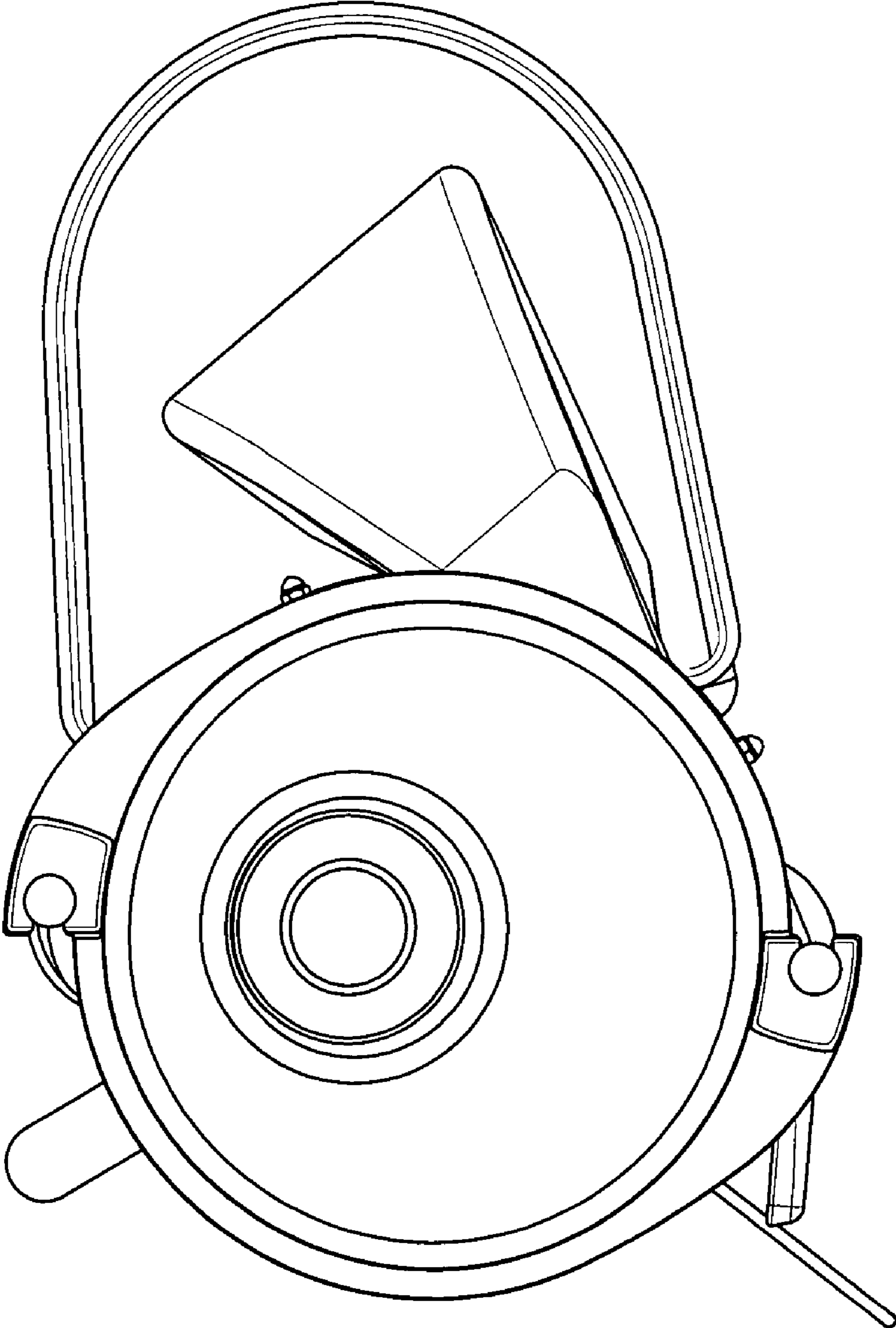




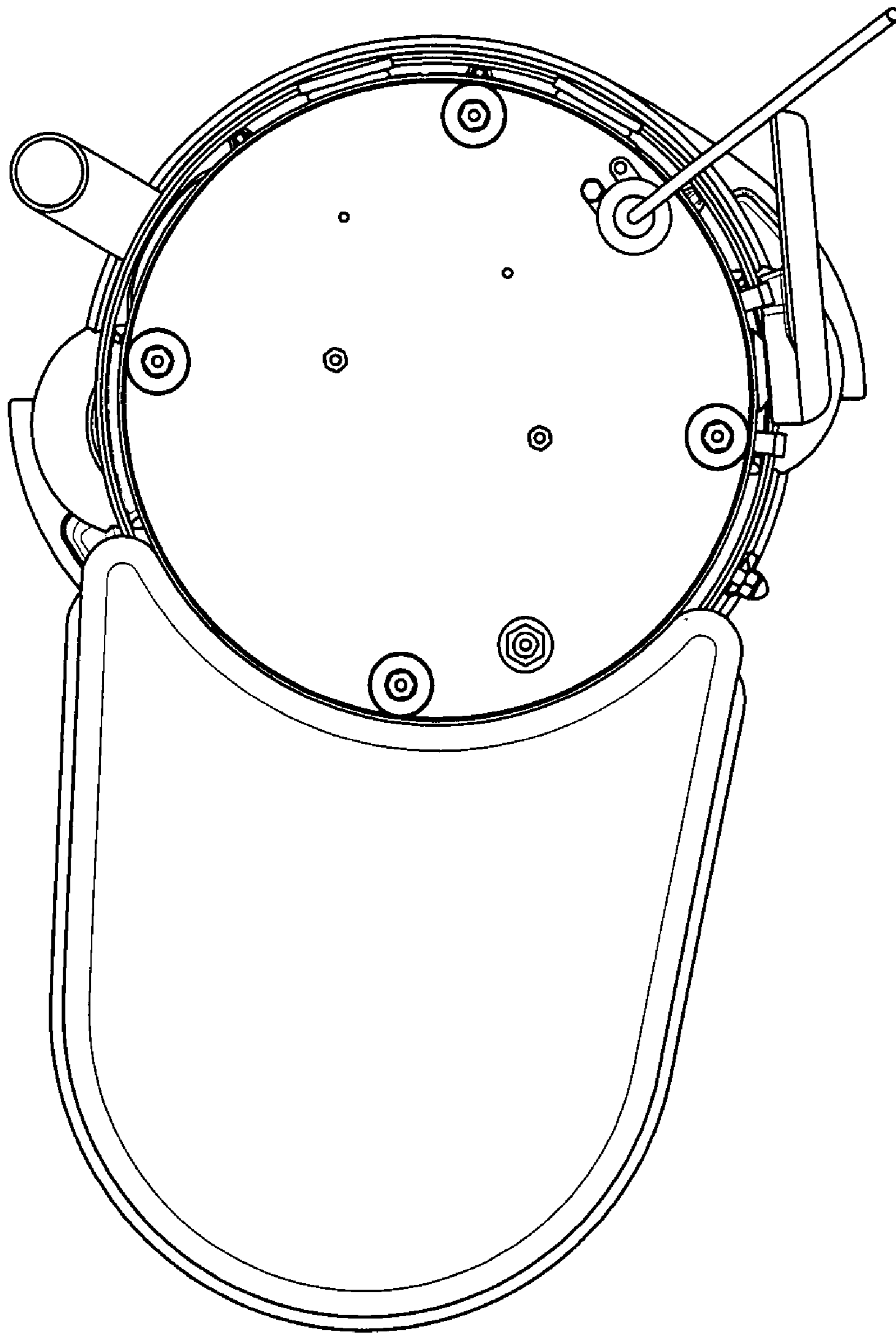
**FIG. 1**



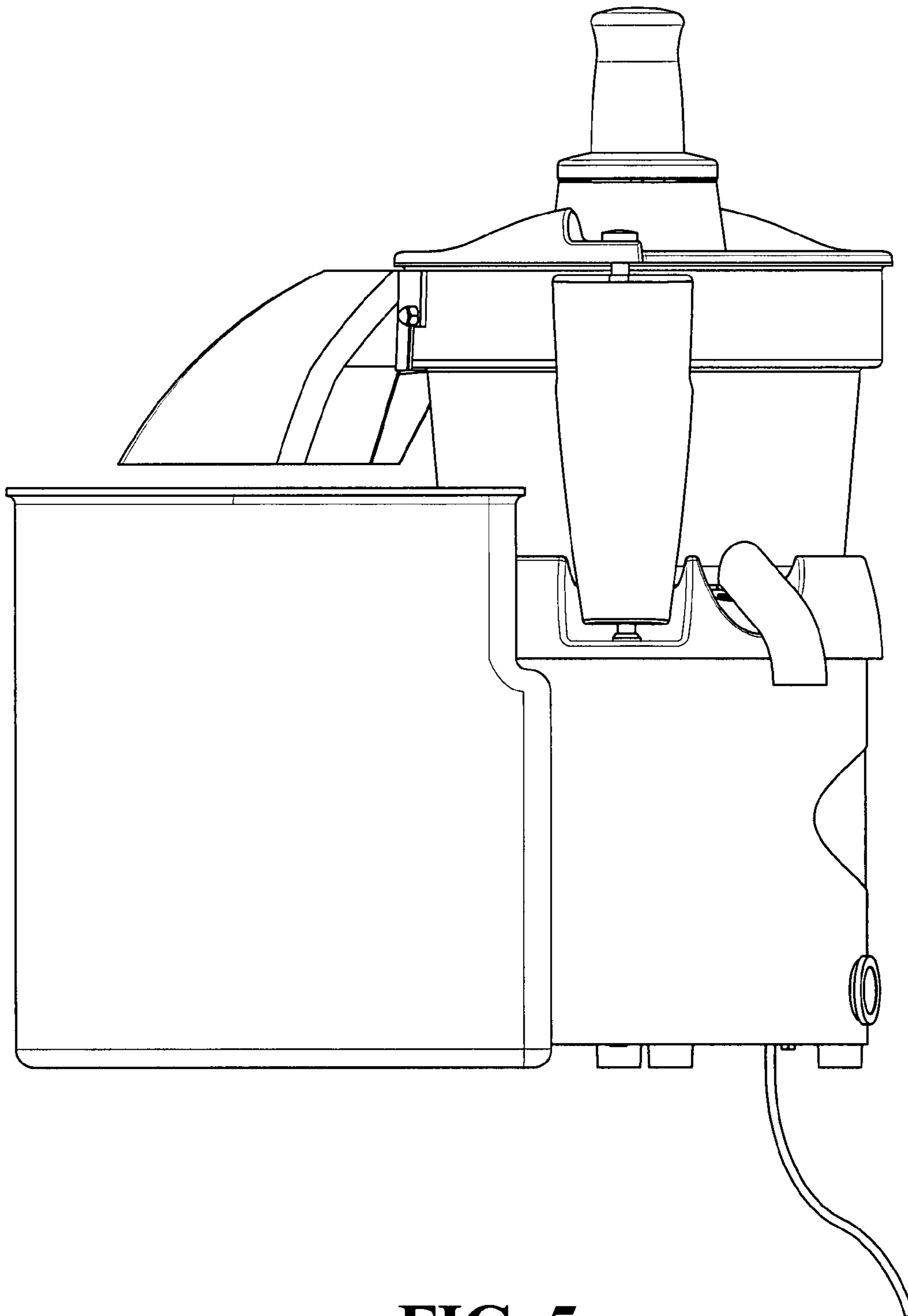
**FIG. 2**



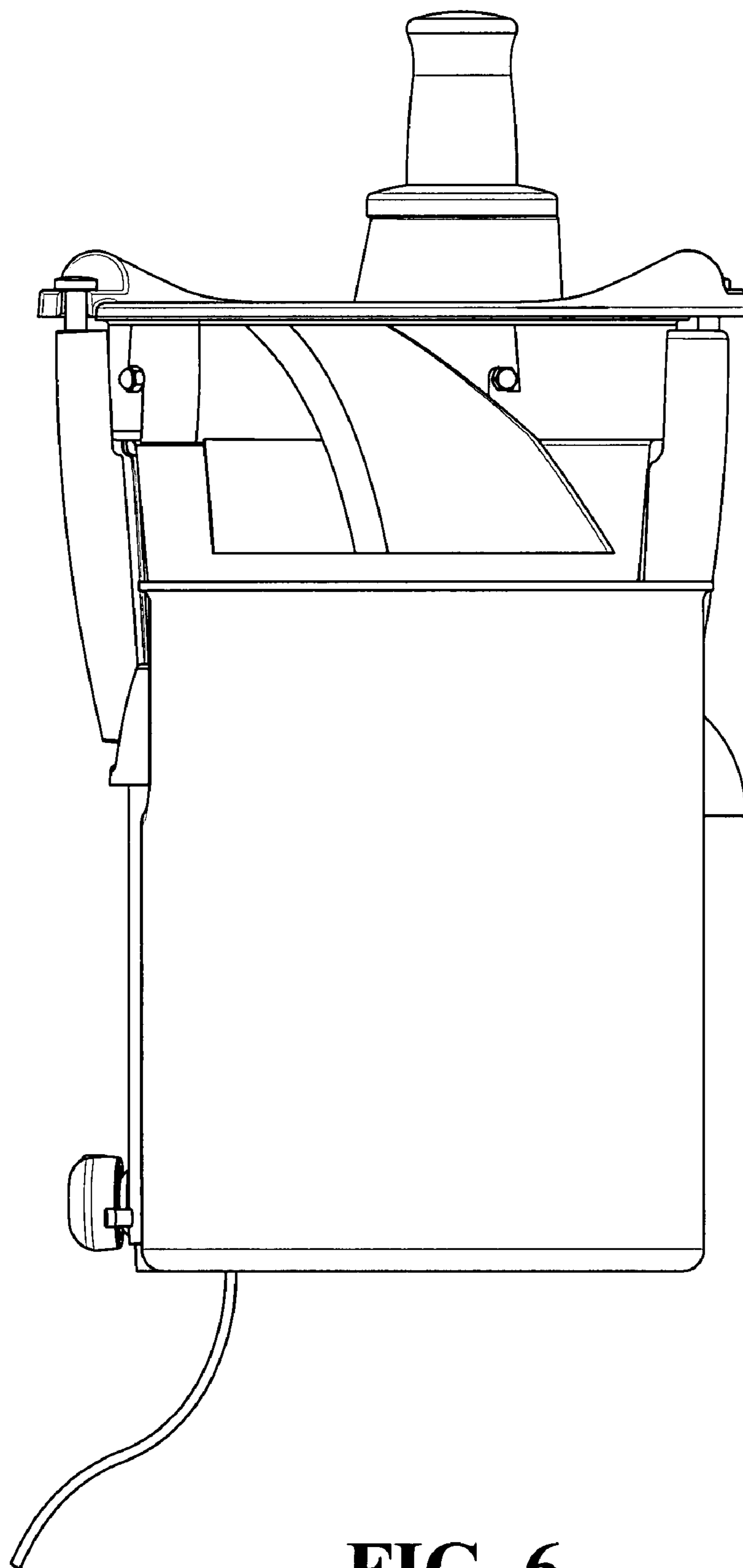
**FIG. 3**



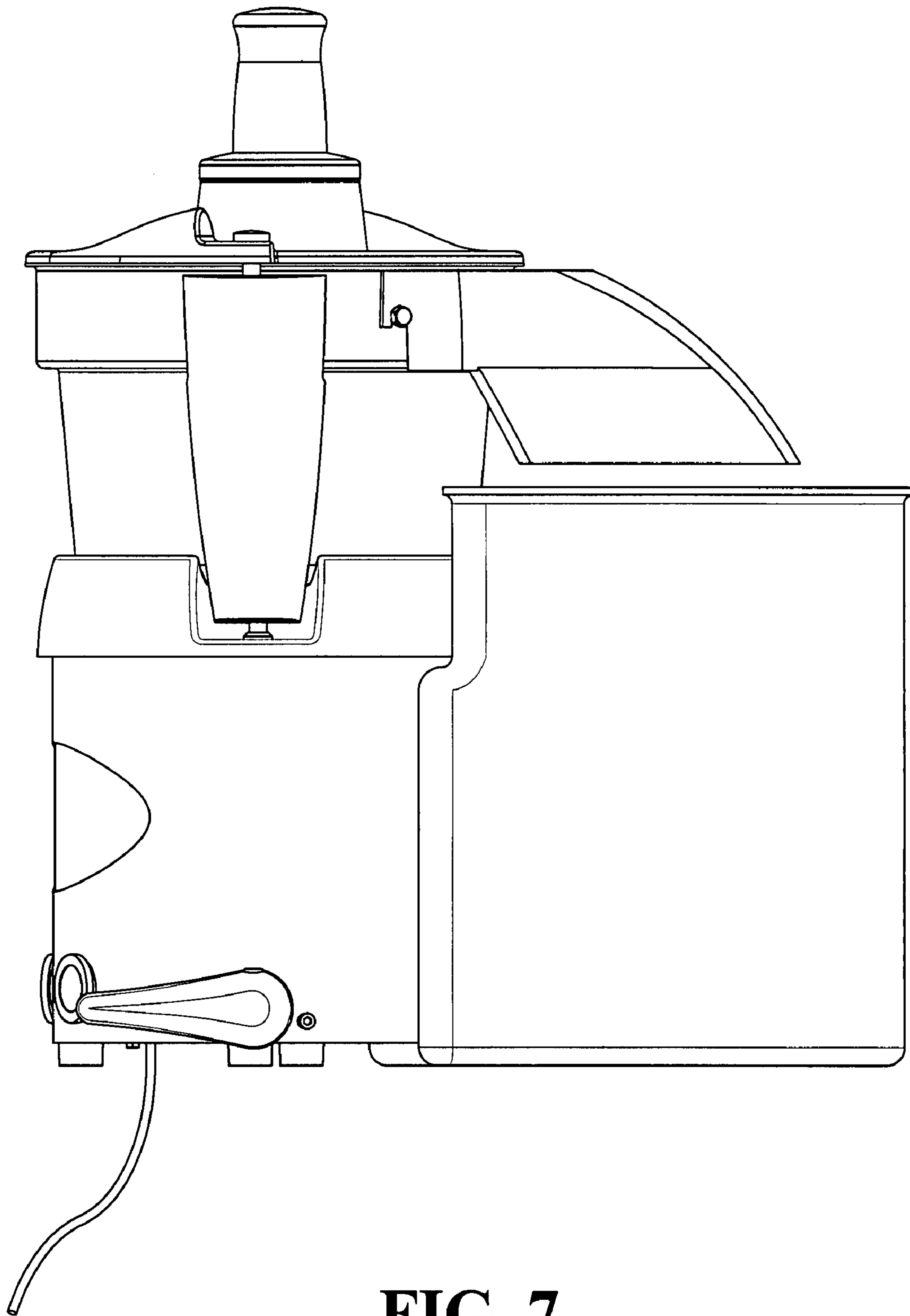
**FIG. 4**



**FIG. 5**



**FIG. 6**



**FIG. 7**