



US00D565358S

(12) **United States Design Patent**  
**Neuhaus**

(10) **Patent No.:** **US D565,358 S**

(45) **Date of Patent:** **\*\* Apr. 1, 2008**

(54) **BREAD BOX**

(75) Inventor: **Egbert Neuhaus**, Arnsberg (DE)

(73) Assignee: **Westermann KG** (DE)

(\*\*) Term: **14 Years**

(21) Appl. No.: **29/279,523**

(22) Filed: **May 2, 2007**

(30) **Foreign Application Priority Data**

Nov. 9, 2006 (EM) ..... 000619002

(51) **LOC (8) Cl.** ..... **07-07**

(52) **U.S. Cl.** ..... **D7/609**

(58) **Field of Classification Search** ..... D7/609,  
D7/602, 629; D9/430-432; D3/273, 274,  
D3/294; 312/199, 284, 328; 220/4.21, 4.22,  
220/4.23, 574-575, 780-806

See application file for complete search history.

(56) **References Cited**

**U.S. PATENT DOCUMENTS**

D176,317 S \* 12/1955 Fox ..... D7/609

4,034,890 A \* 7/1977 Baller ..... 220/626

D370,728 S \* 6/1996 Edgar et al. .... D24/121

D493,936 S \* 8/2004 Perella et al. .... D99/28

D497,252 S \* 10/2004 Perella et al. .... D3/294

D529,287 S \* 10/2006 Perella et al. .... D3/294

\* cited by examiner

*Primary Examiner*—Terry A Wallace

(74) *Attorney, Agent, or Firm*—St. Onge Steward Johnston  
& Reens LLC

(57) **CLAIM**

The ornamental design for bread box, as shown and described.

**DESCRIPTION**

FIG. 1 is a front perspective view of a bread box in accordance with the new design;

FIG. 2 is a front view thereof;

FIG. 3 is a top view thereof;

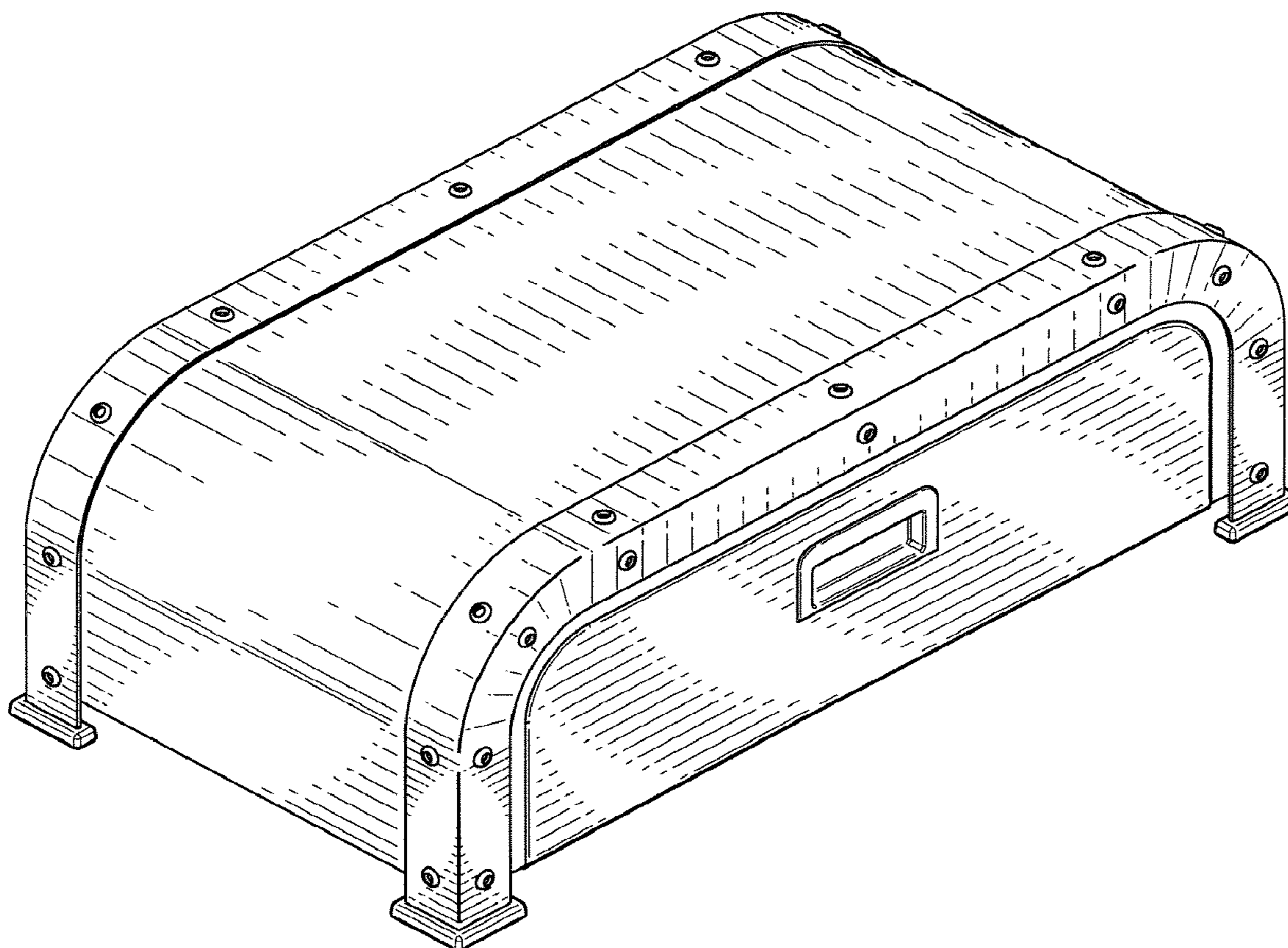
FIG. 4 is a rear view thereof;

FIG. 5 is a bottom view thereof;

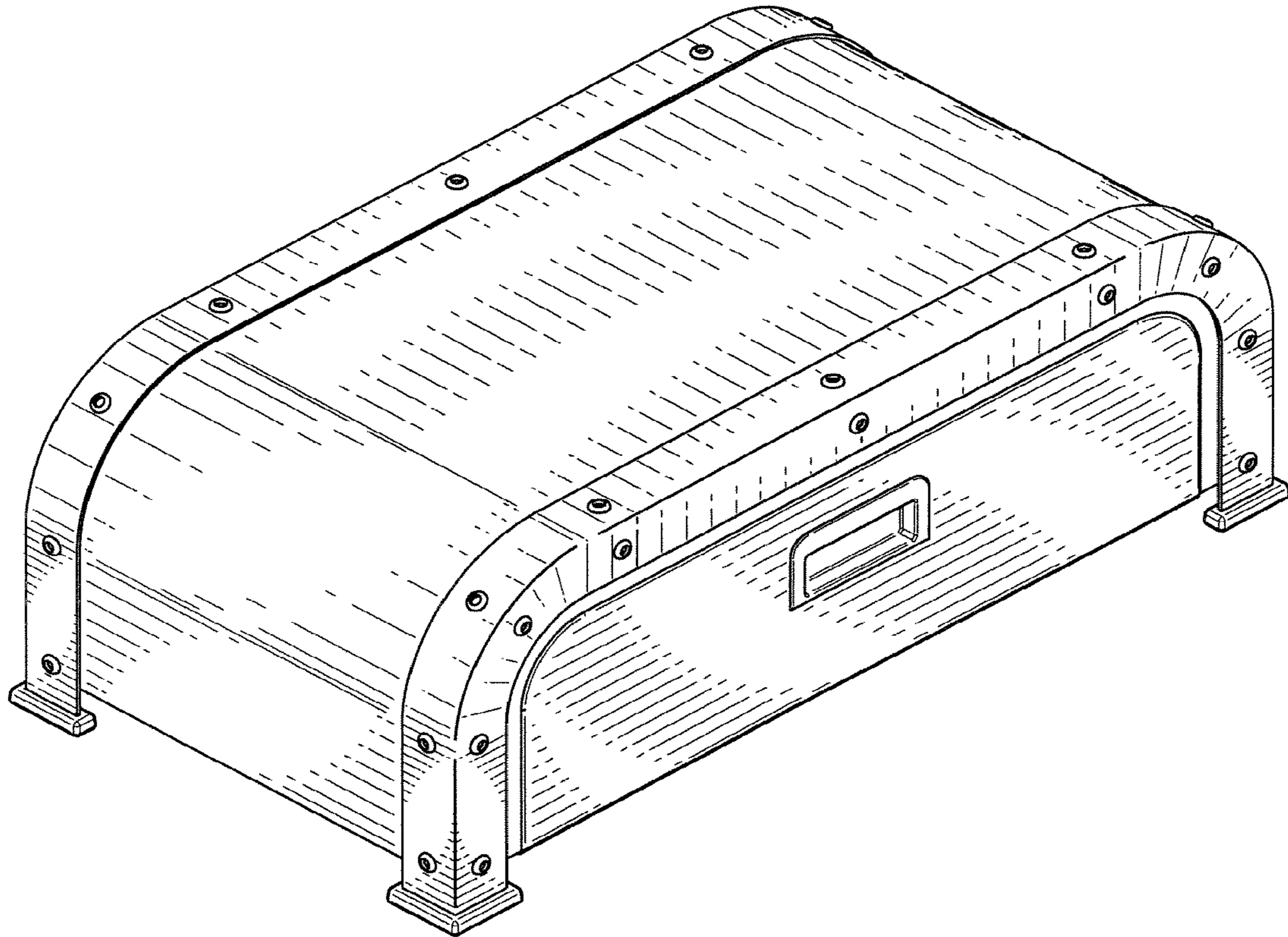
FIG. 6 is a left side view thereof; and,

FIG. 7 is a right side view thereof.

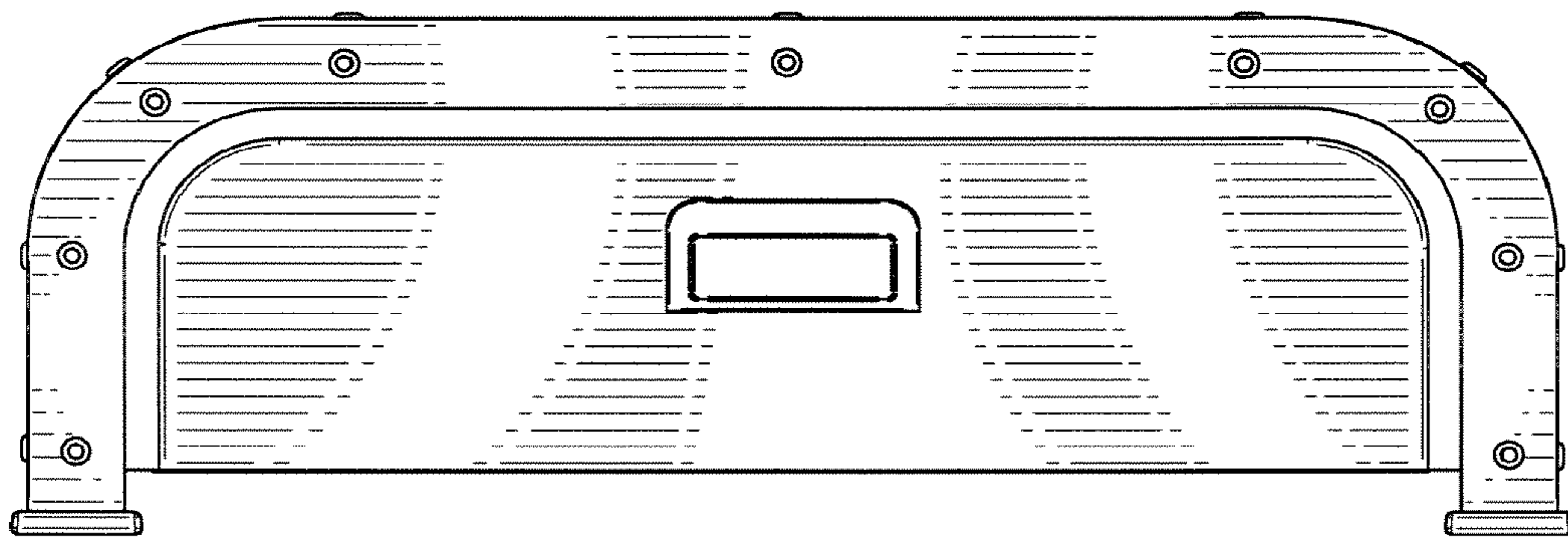
**1 Claim, 3 Drawing Sheets**



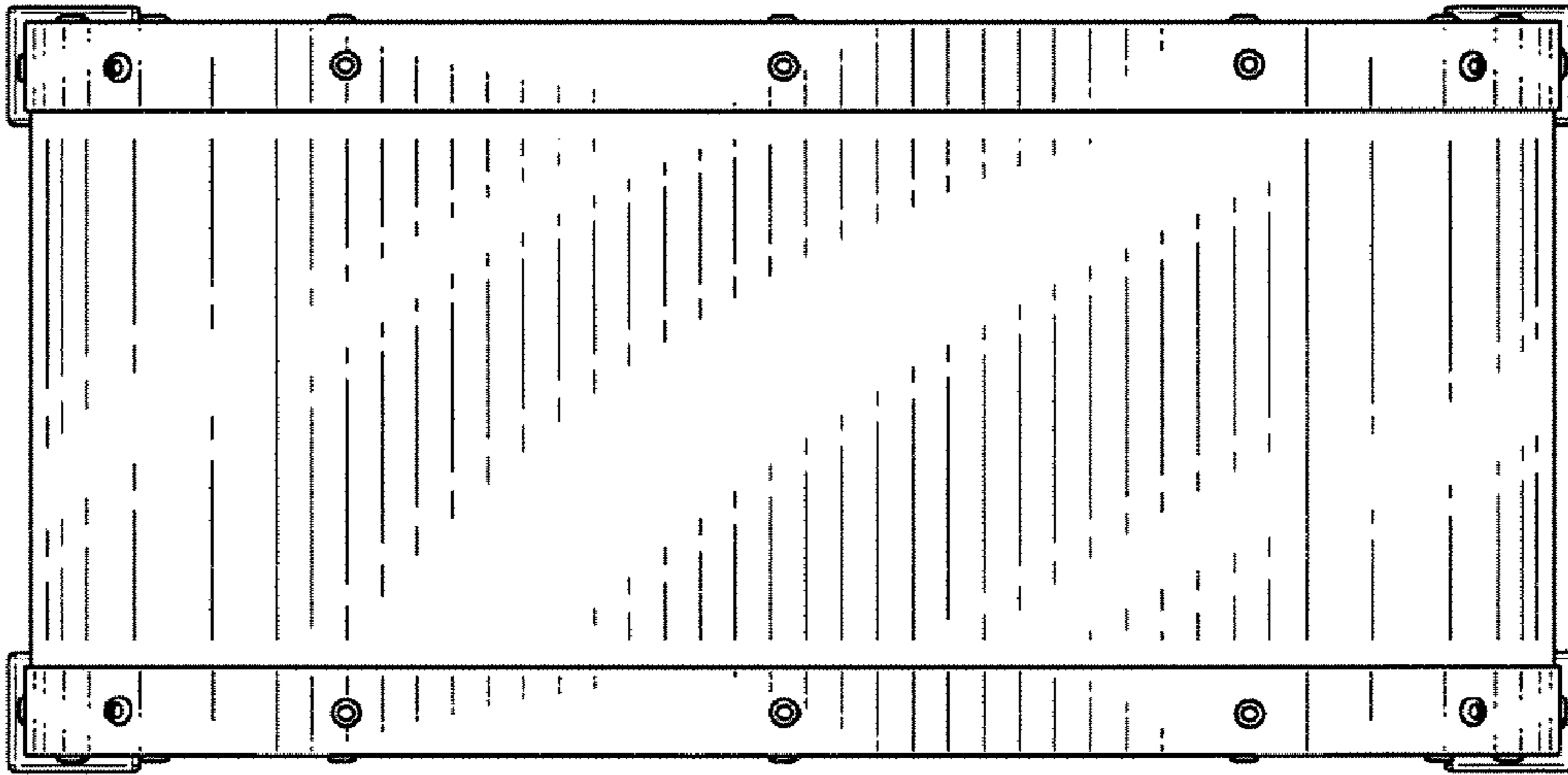
***Fig. 1***



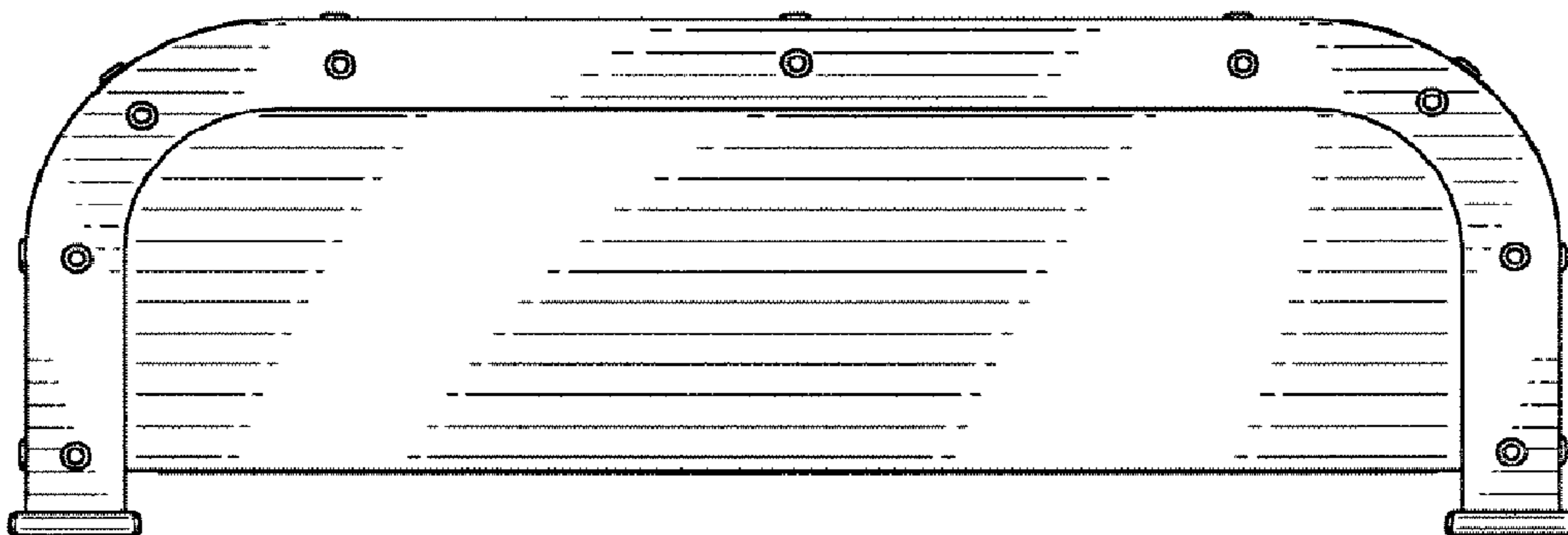
***Fig. 2***



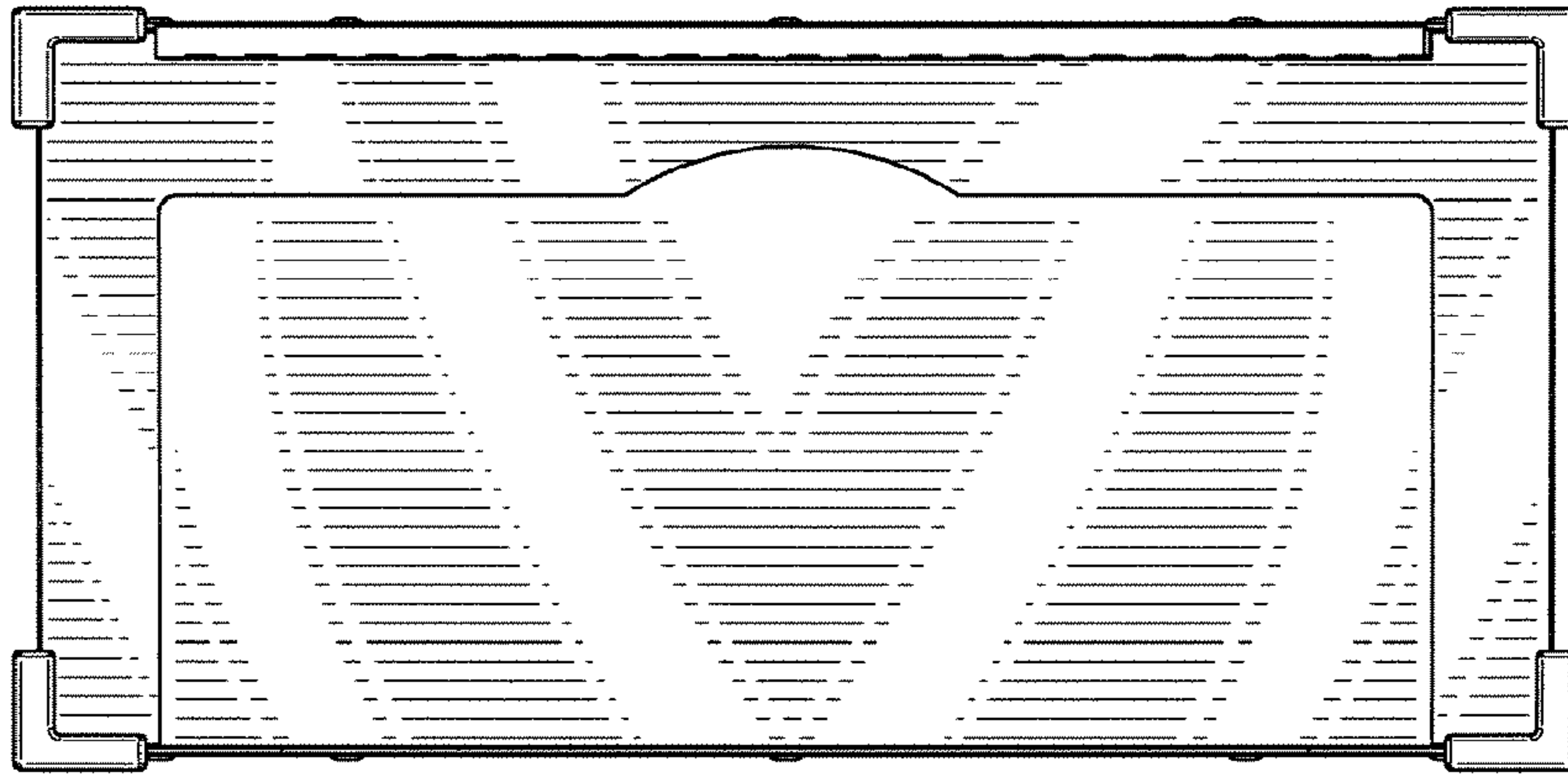
***Fig. 3***



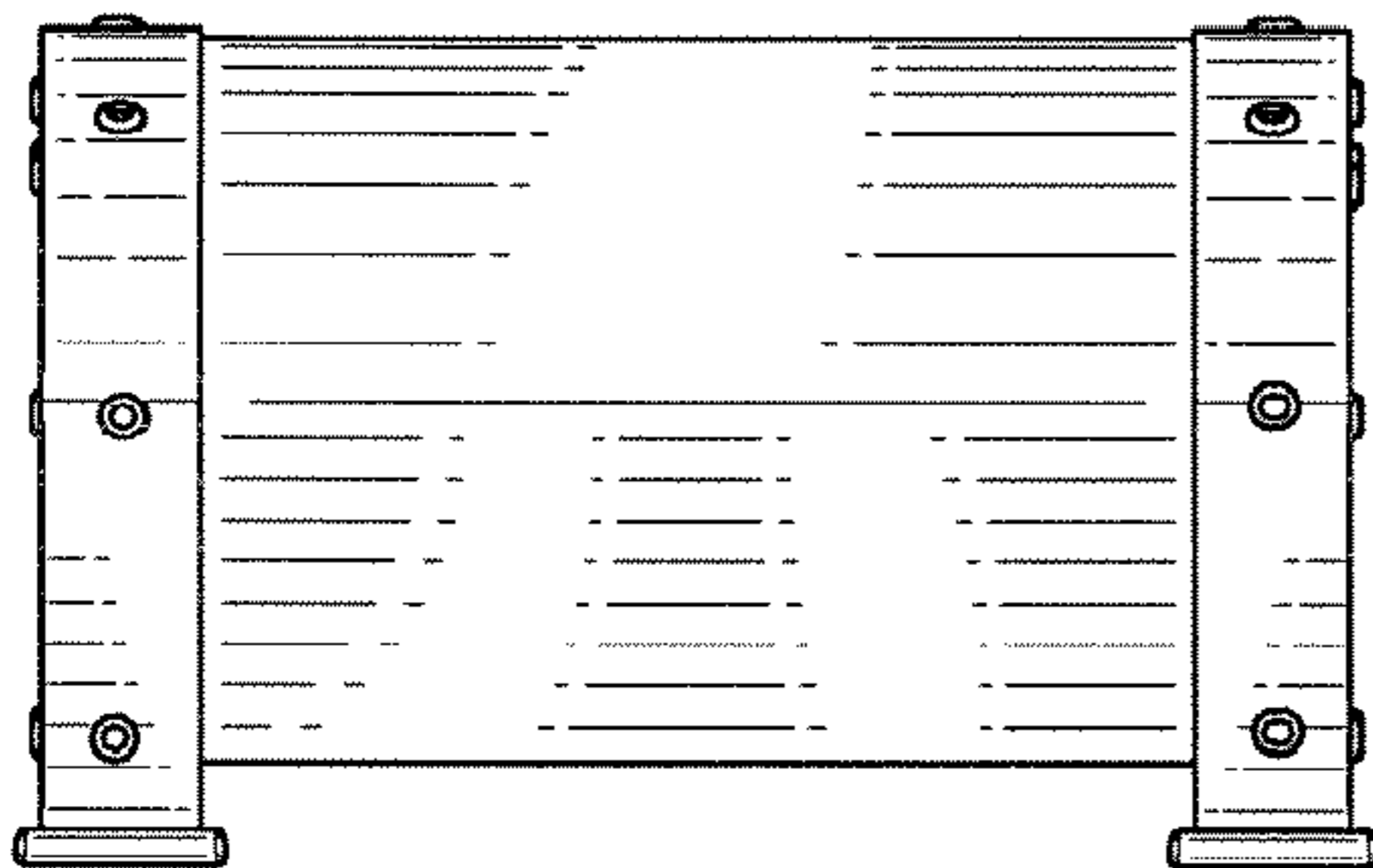
***Fig. 4***



***Fig. 5***



***Fig. 6***



***Fig. 7***

