



US00D565354S

(12) **United States Design Patent**
Bodum

(10) **Patent No.:** **US D565,354 S**

(45) **Date of Patent:** **** Apr. 1, 2008**

(54) **DOUBLE WALLED GLASS**

(75) Inventor: **Jørgen Bodum**, St. Niklausen (CH)

(73) Assignee: **Pi-Design AG**, Triengen (CH)

(**) Term: **14 Years**

(21) Appl. No.: **29/249,943**

(22) Filed: **Oct. 27, 2006**

(30) **Foreign Application Priority Data**

May 1, 2006 (DK) DA 2006 00130

(51) **LOC (8) Cl.** **07-01**

(52) **U.S. Cl.** **D7/523; D7/509**

(58) **Field of Classification Search** D7/500,
D7/507, 509, 510, 513, 523, 524, 526-528,
D7/600, 540; D9/500, 776; D34/1; 215/387,
215/DIG. 7; 220/495.04, 560, 703, 592.16,
220/592.17

See application file for complete search history.

(56) **References Cited**

U.S. PATENT DOCUMENTS

1,997,055 A * 4/1935 Graefe 215/12.1
2,622,415 A * 12/1952 Smith et al. 62/457.3
D209,307 S * 11/1967 Schilling D7/523
D222,375 S * 10/1971 Bencik D7/523

D438,430 S * 3/2001 Gabrhel D7/523
D471,404 S * 3/2003 Gady D7/523
D519,785 S * 5/2006 Bodum D7/523
D523,693 S * 6/2006 Bodum D7/523
D526,848 S * 8/2006 Bodum D7/523
7,124,603 B2 * 10/2006 Bianco 62/457.3
D550,033 S * 9/2007 Bodum D7/509
D550,034 S * 9/2007 Bodum D7/509

* cited by examiner

Primary Examiner—Philip S. Hyder

Assistant Examiner—Cynthia Underwood

(74) *Attorney, Agent, or Firm*—Cowan, Liebowitz & Latman, PC

(57) **CLAIM**

The ornamental design for a double walled glass, as shown and described.

DESCRIPTION

FIG. 1 is a perspective view of the double walled glass showing my design thereof;

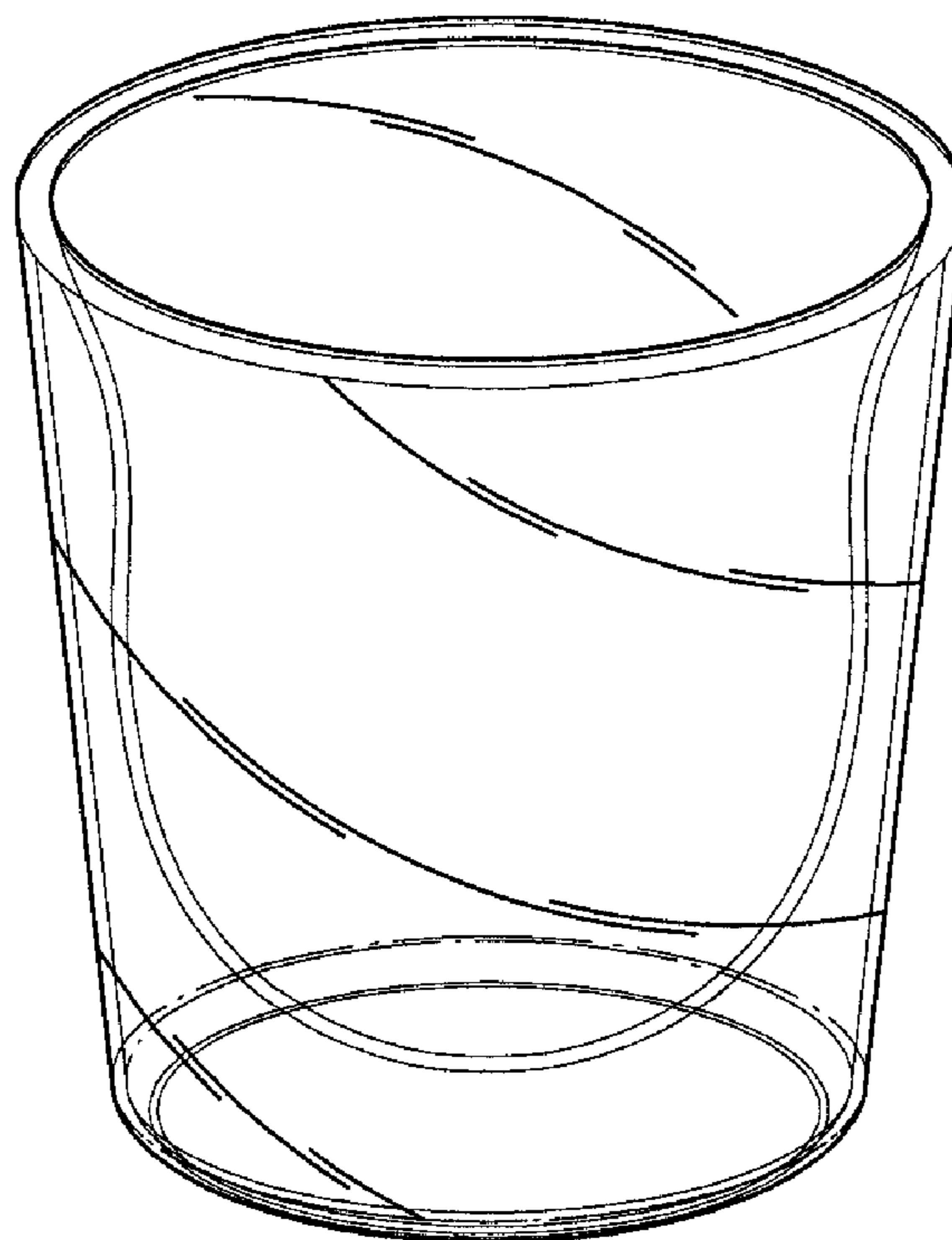
FIG. 2 is a front view thereof, all other sides being the same;

FIG. 3 is a top view thereof;

FIG. 4 is a bottom view thereof; and,

FIG. 5 is a sectional view thereof taken along line 5—5 of FIG. 3.

1 Claim, 5 Drawing Sheets



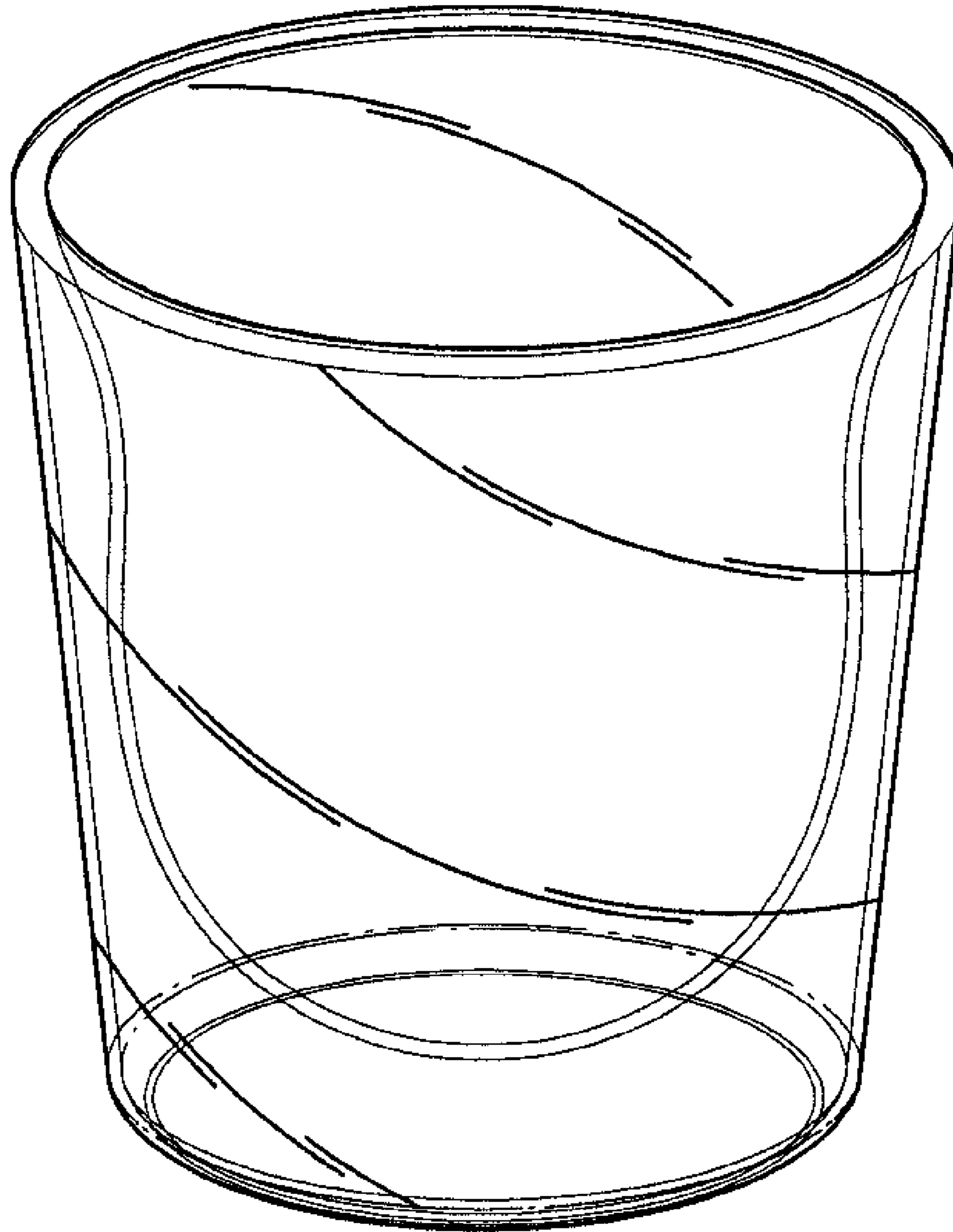


FIG. 1

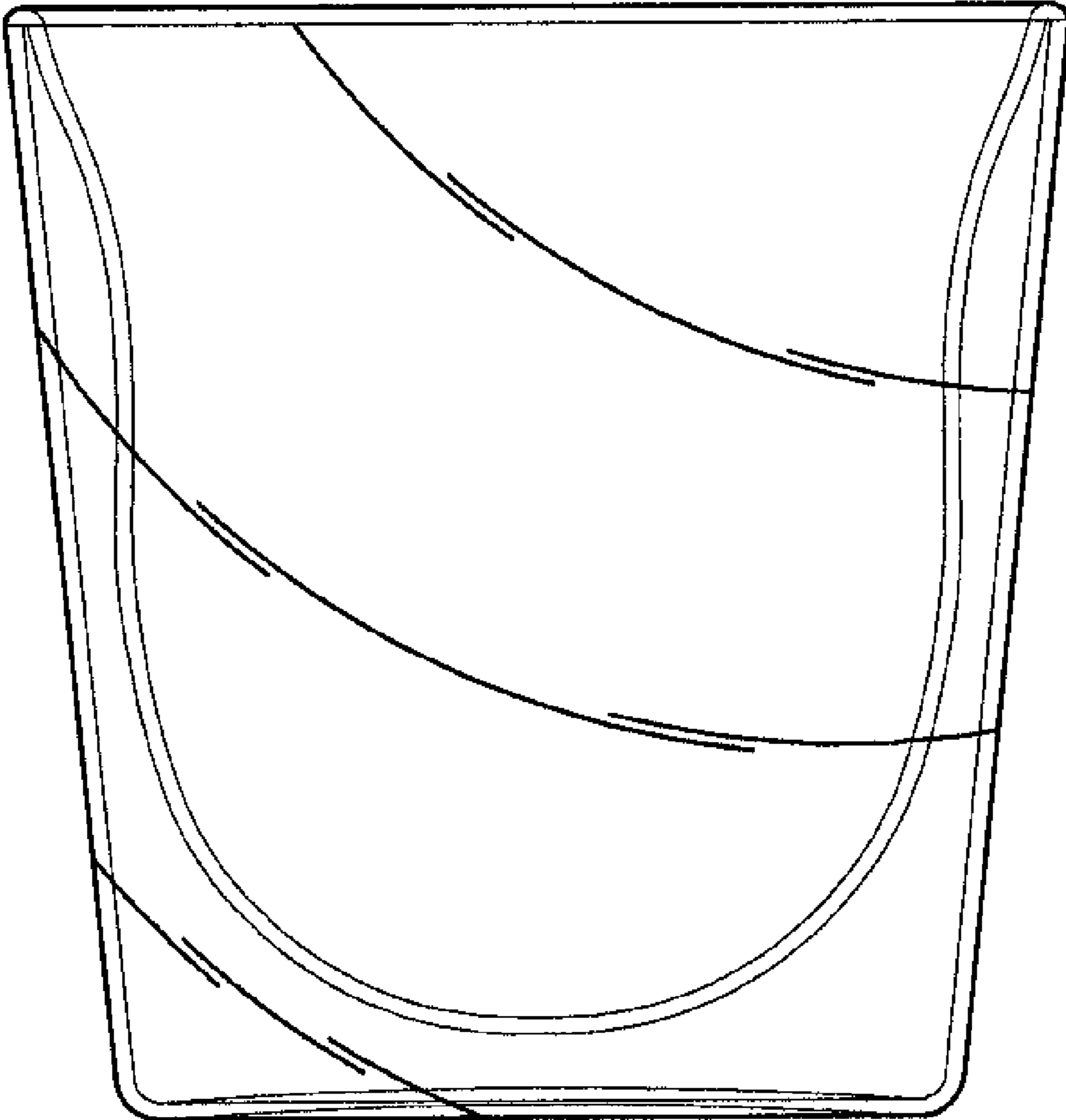


FIG. 2

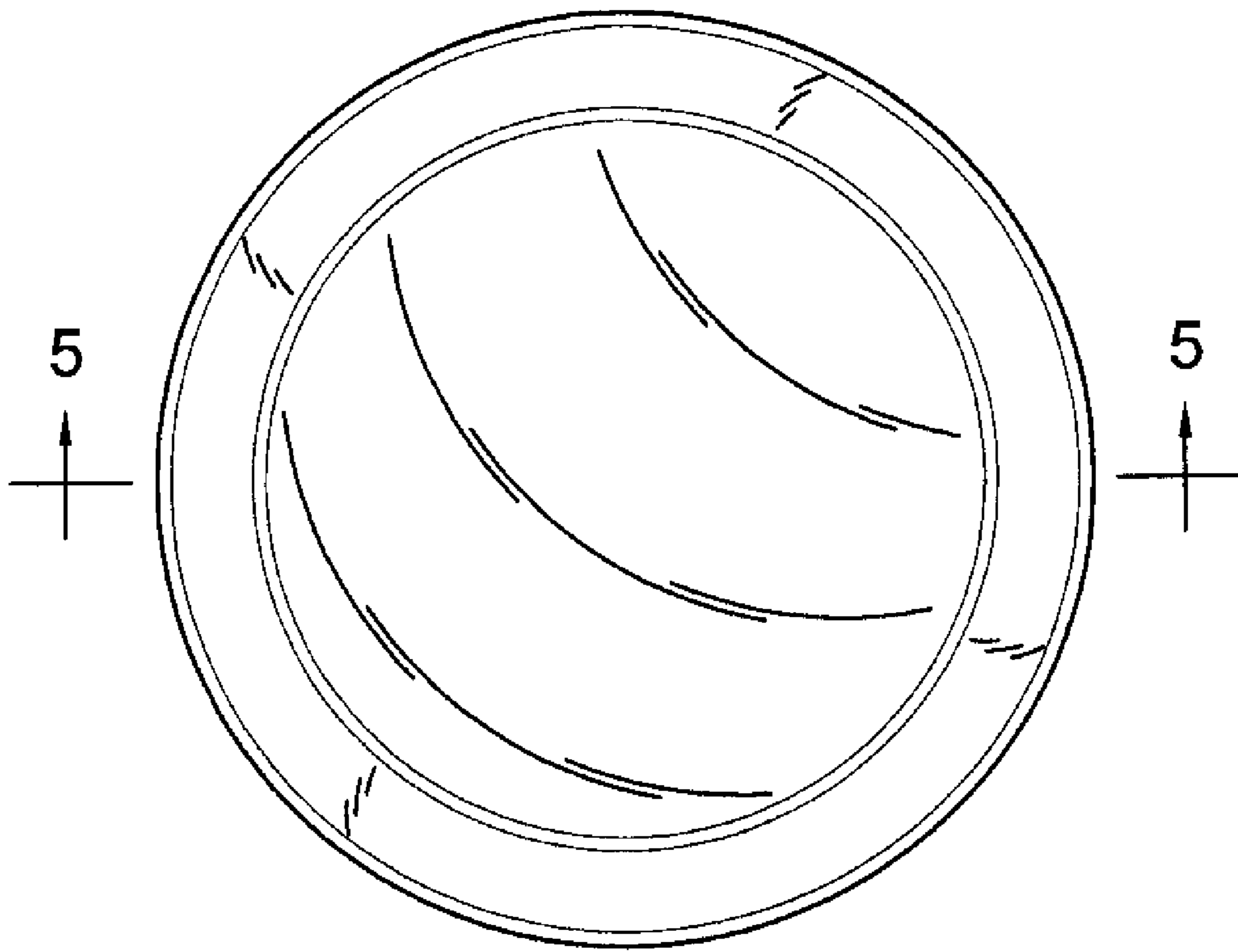


FIG. 3

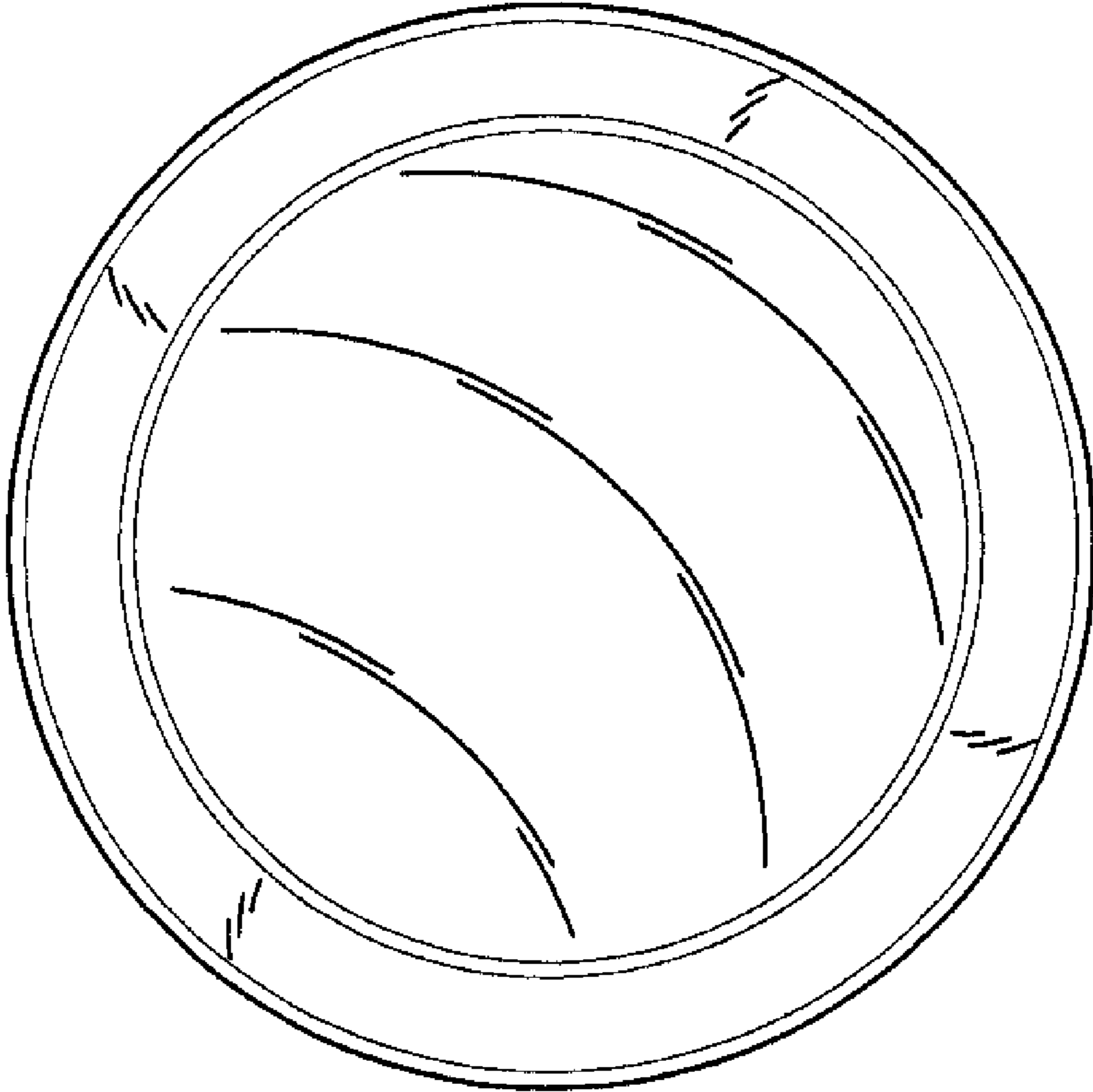


FIG. 4

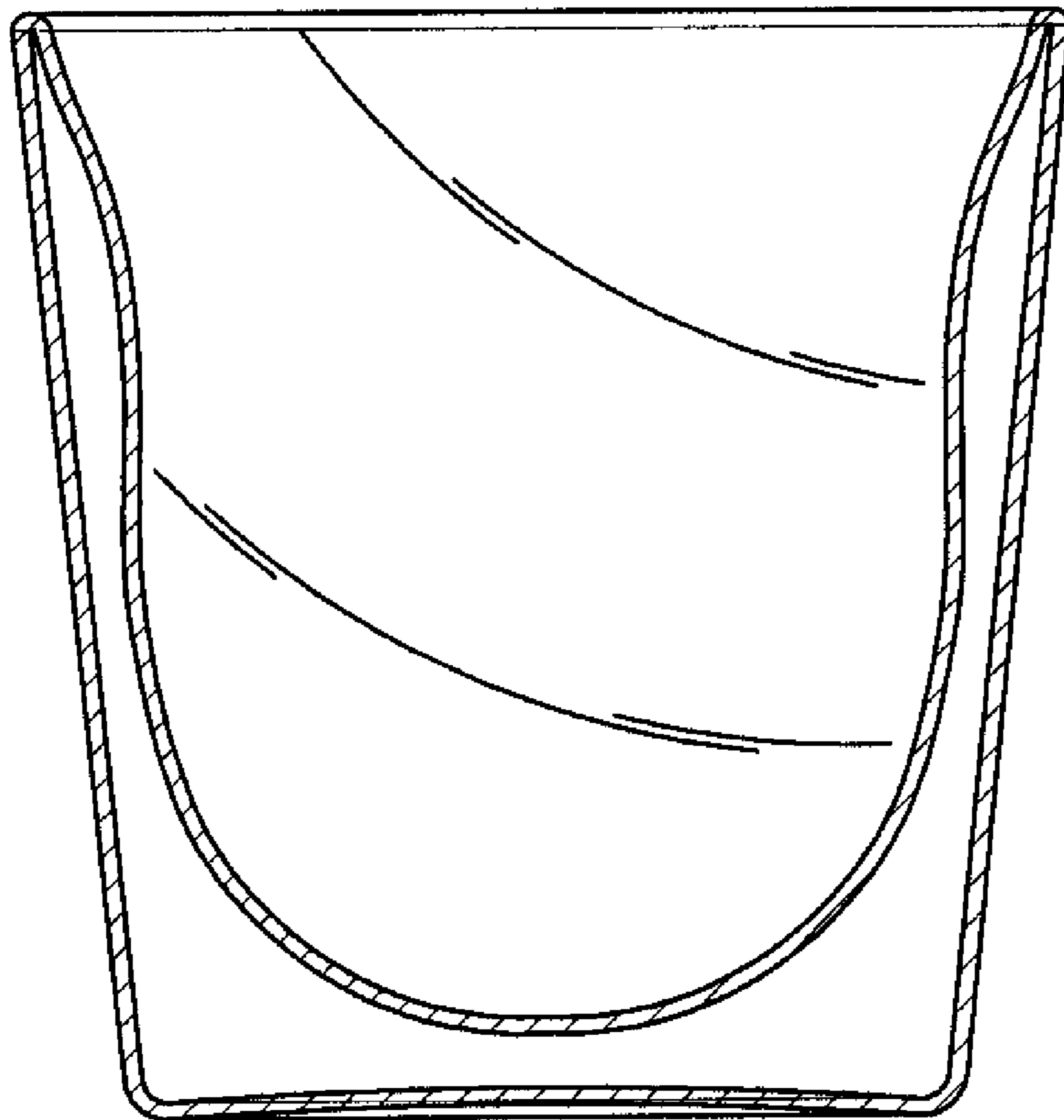


FIG. 5