



US00D565351S

(12) **United States Design Patent**
Crookshanks et al.

(10) **Patent No.: US D565,351 S**

(45) **Date of Patent: ** Apr. 1, 2008**

(54) **PORTION OF AN APPLIANCE**

(75) Inventors: **Kent Allen Stephen Crookshanks**,
Anderson, SC (US); **Daniel Hartley**
Green, Nashville, TN (US)

(73) Assignee: **Electrolux Home Products, Inc.**,
Cleveland, OH (US)

(**) Term: **14 Years**

(21) Appl. No.: **29/297,571**

(22) Filed: **Nov. 14, 2007**

(51) **LOC (8) Cl. 07-02**

(52) **U.S. Cl. D7/405**

(58) **Field of Classification Search** D7/339-341,
D7/346-349, 402, 405, 406; 126/21 A, 39 B,
126/21 R, 273 A; 219/391-394
See application file for complete search history.

(56) **References Cited**

U.S. PATENT DOCUMENTS

D464,229 S	*	10/2002	Baldwin et al.	D7/340
D470,720 S	*	2/2003	Jones et al.	D7/405
D477,177 S	*	7/2003	Jeong	D7/340
D477,496 S	*	7/2003	Monguilod et al.	D7/340
D491,411 S	*	6/2004	De Mello	D7/340
D495,918 S	*	9/2004	De Mello	D7/340
D510,227 S	*	10/2005	Baldwin	D7/340
D511,925 S	*	11/2005	Baldwin	D7/340

D521,317 S	*	5/2006	Hessen et al.	D7/405
D530,152 S	*	10/2006	Pryor	D7/405
D536,208 S	*	2/2007	Ostlund et al.	D7/340
D536,568 S	*	2/2007	Ostlund et al.	D7/340
D555,976 S	*	11/2007	Baldwin	D7/405

* cited by examiner

Primary Examiner—Robert A. Delehanty

Assistant Examiner—Mark Cavanna

(74) *Attorney, Agent, or Firm*—Banner & Witcoff, Ltd.

(57) **CLAIM**

The ornamental design for a portion of an appliance, as shown and described.

DESCRIPTION

FIG. 1 is a front perspective view of a portion of an appliance showing our new design;

FIG. 2 is a front view thereof;

FIG. 3 is a right side view thereof;

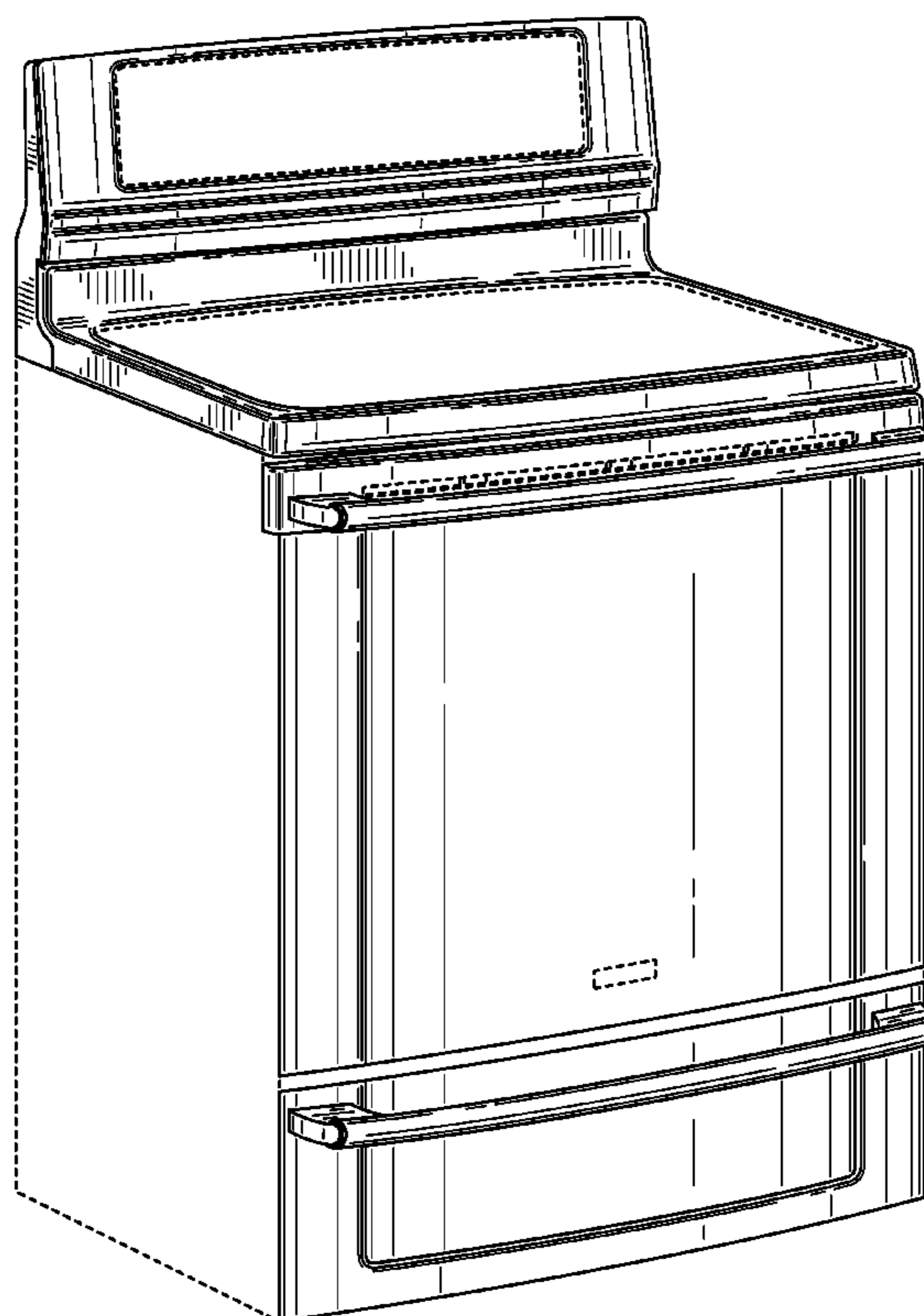
FIG. 4 is a left side view thereof;

FIG. 5 is a top view thereof; and,

FIG. 6 is a bottom view thereof.

The broken line showing of various regions, including the unshaded areas therein, is for illustrative purposes and forms no part of the claimed design.

1 Claim, 5 Drawing Sheets



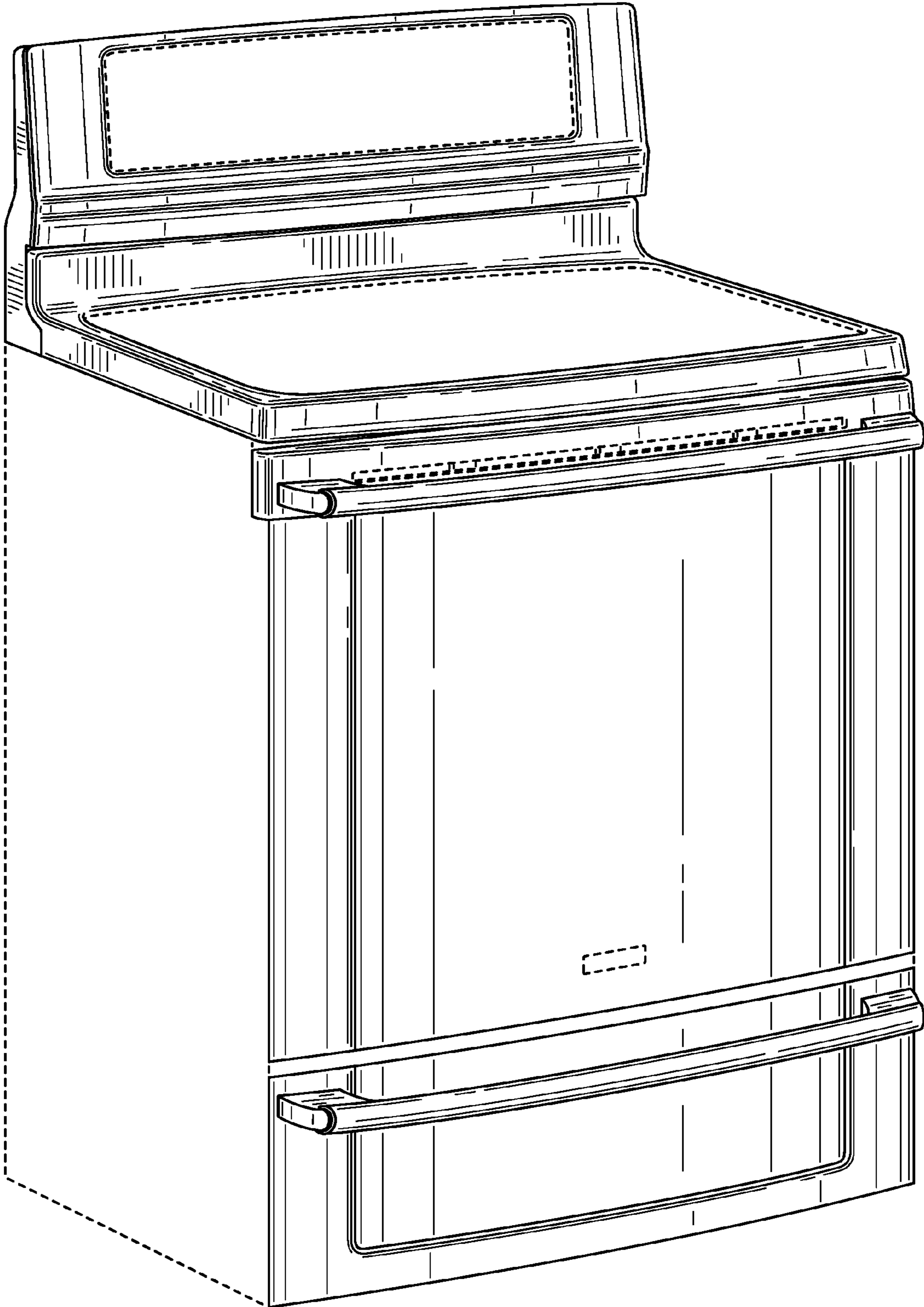


FIG. 1

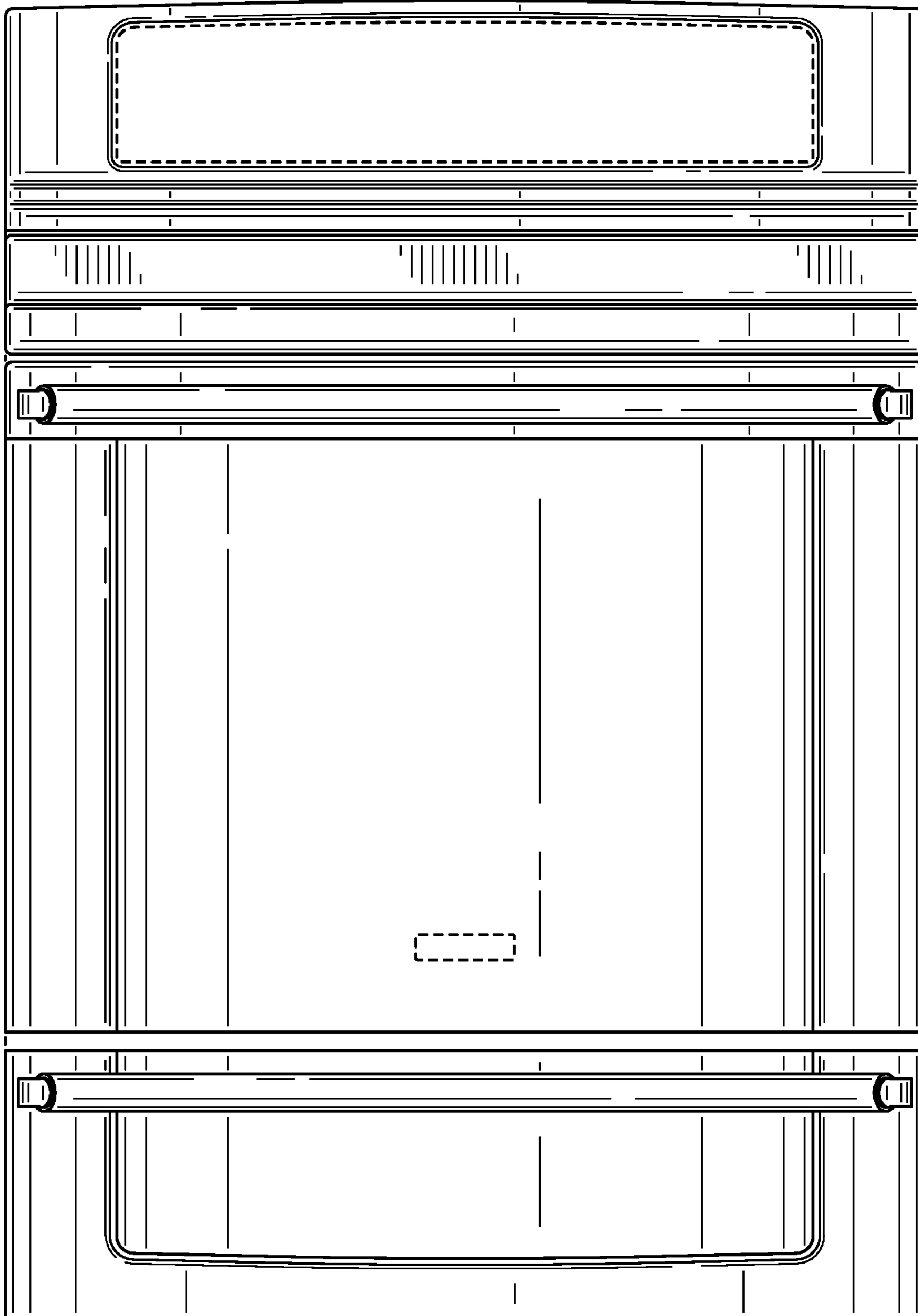


FIG. 2

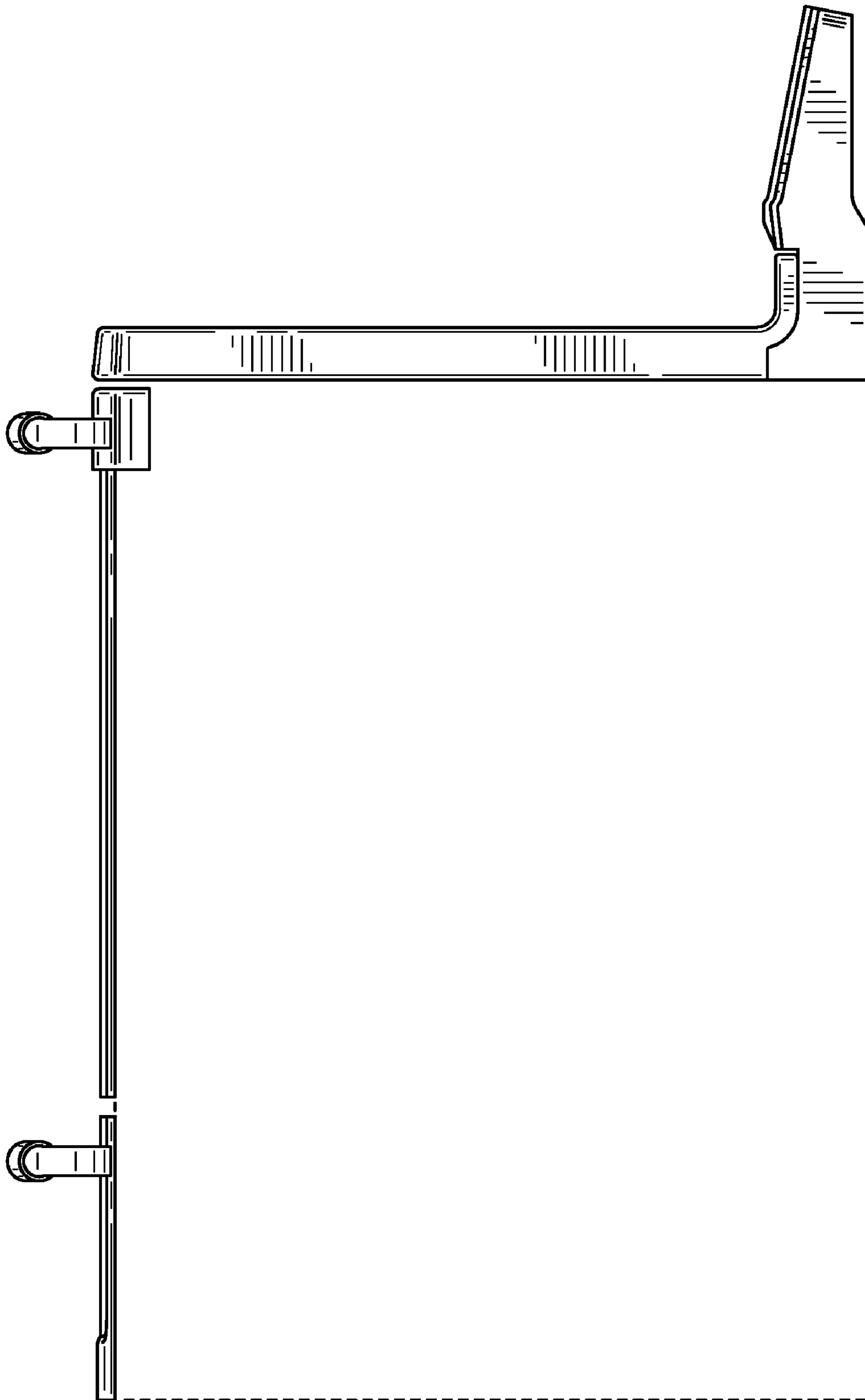


FIG. 3

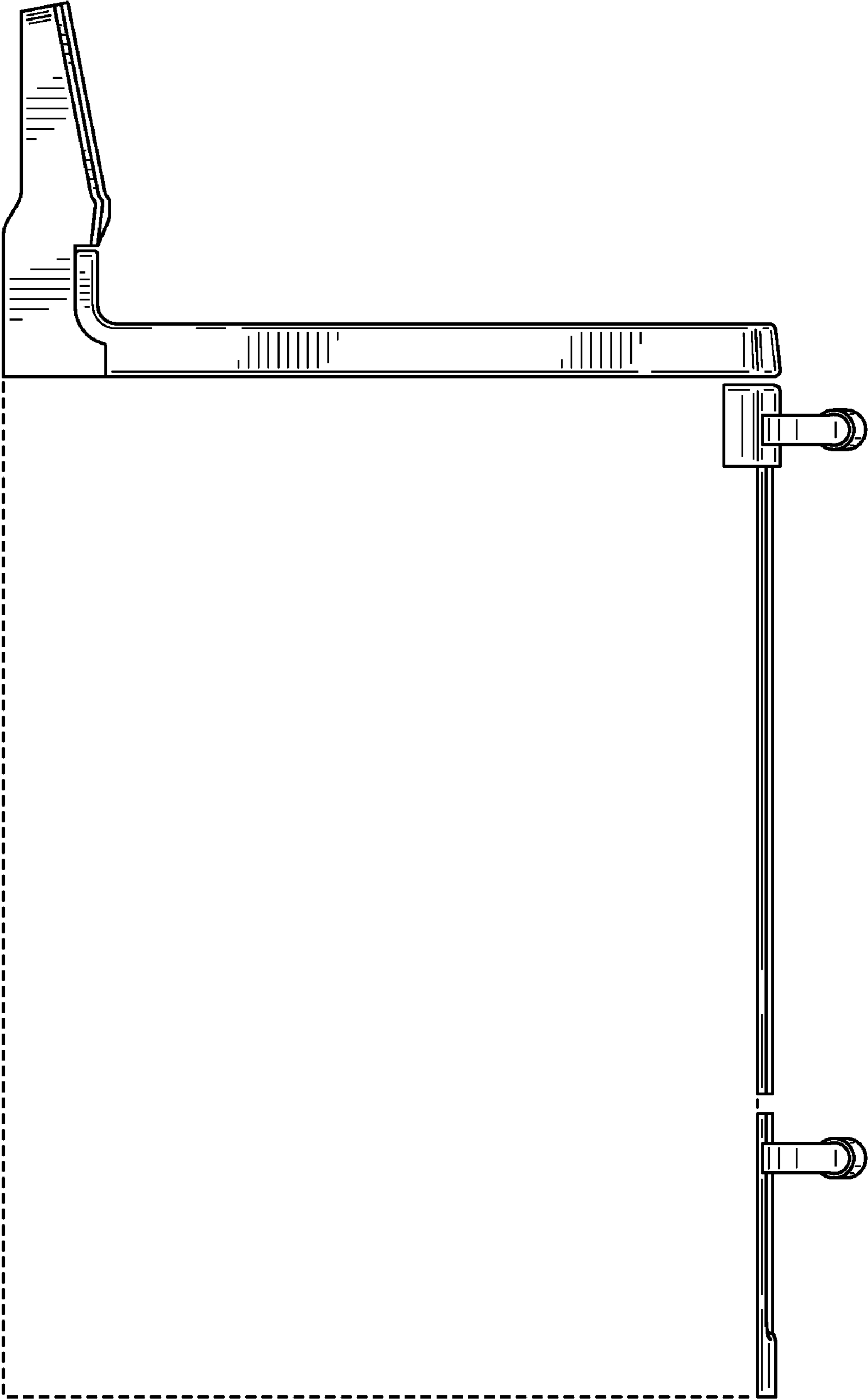


FIG. 4

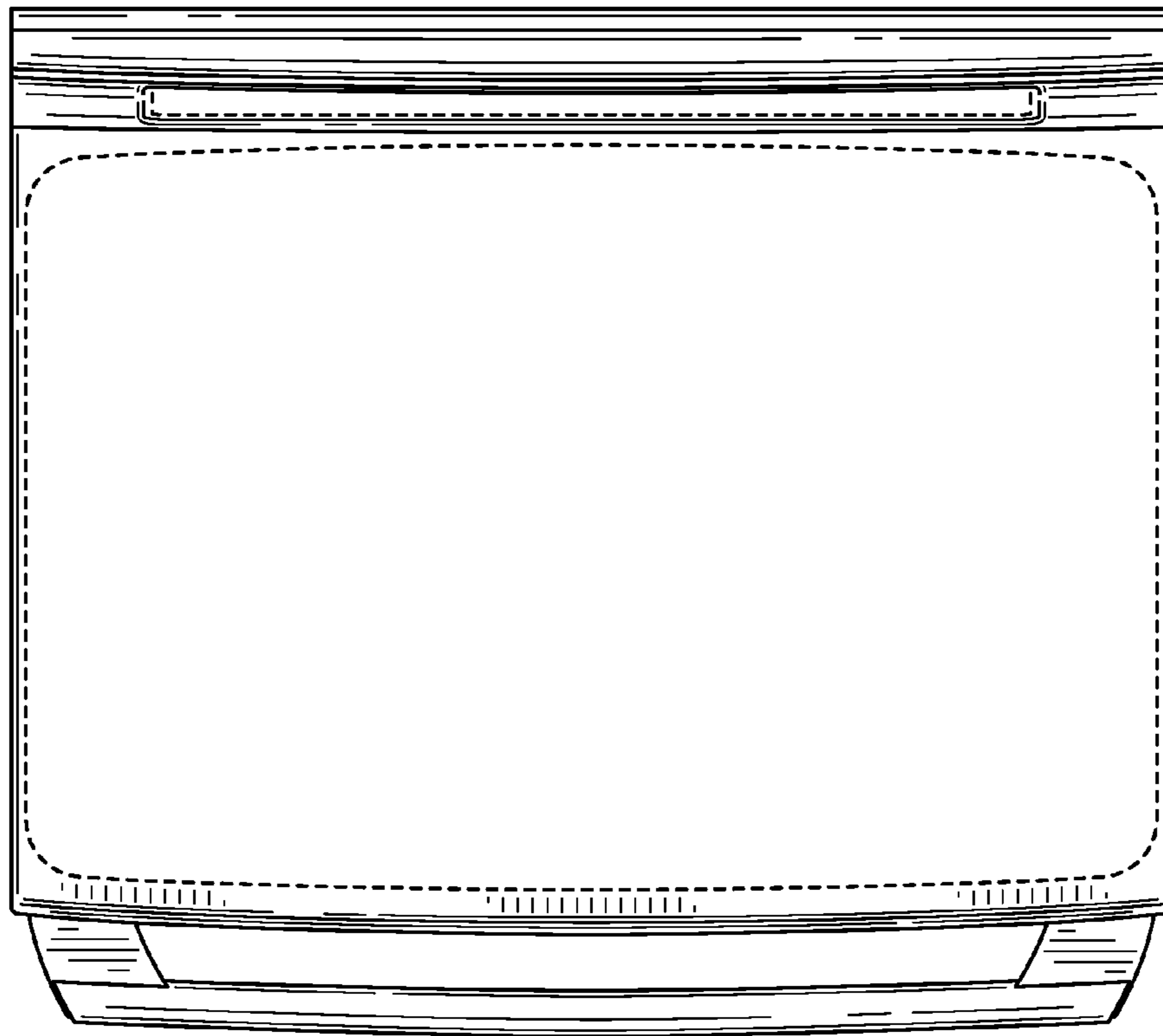


FIG. 5

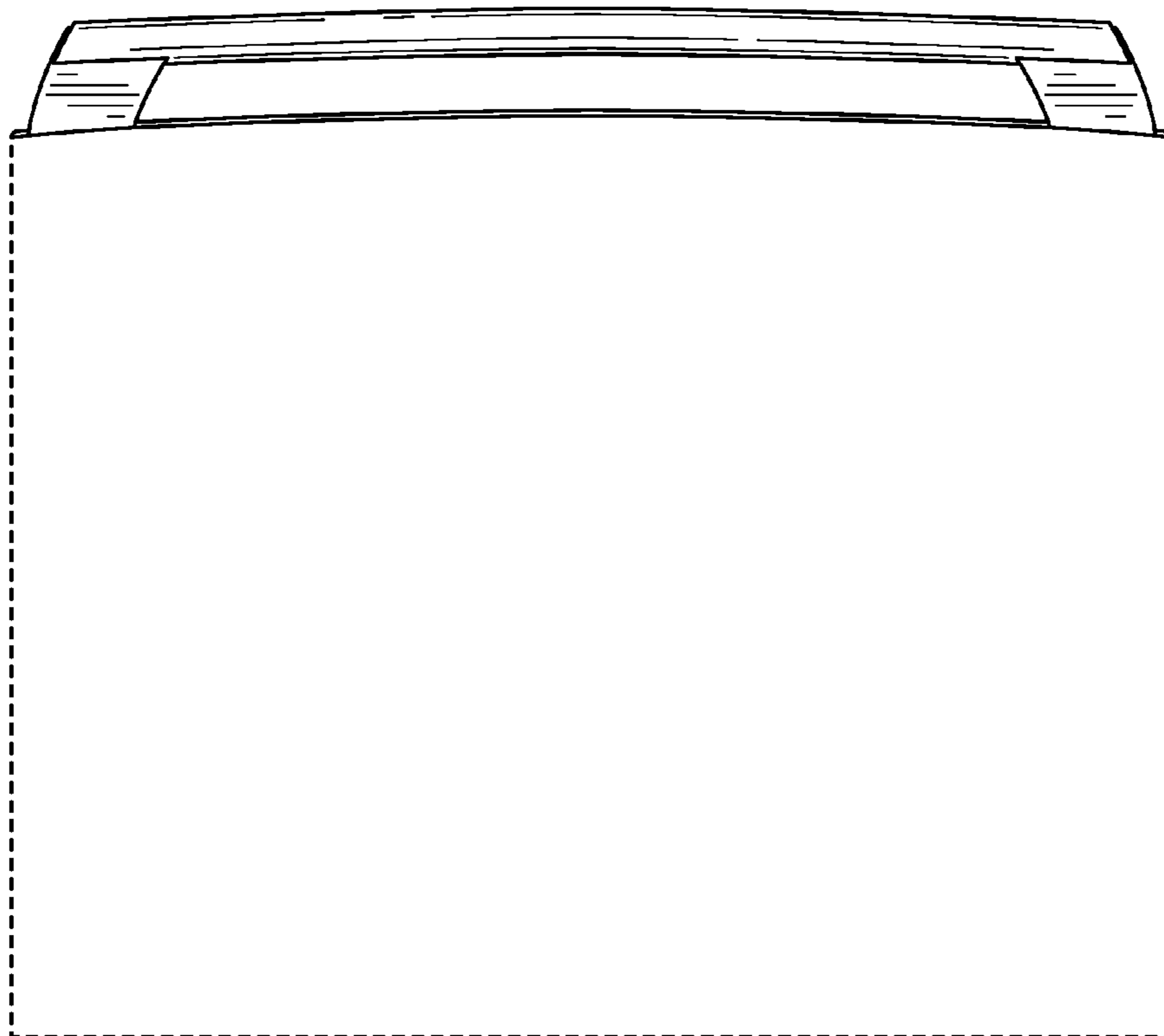


FIG. 6