



US00D565350S

(12) **United States Design Patent** (10) **Patent No.:** **US D565,350 S**
Gauger (45) **Date of Patent:** **** Apr. 1, 2008**

(54) **COFFEE FILTER**

(76) **Inventor:** **Derek K. Gauger**, 880 Wickfield Ct.,
Ann Arbor, MI (US) 48105

(**) **Term:** **14 Years**

(21) **Appl. No.:** **29/280,004**

(22) **Filed:** **May 14, 2007**

(51) **LOC (8) Cl.** **07-01**

(52) **U.S. Cl.** **D7/400; D7/399**

(58) **Field of Classification Search** D7/317,
D7/387, 397, 399-401, 500, 318, 523, 538,
D7/543, 600-602, 630, 647, 667, 700; D9/428,
D9/429, 522, 297, 317, 283; D23/209, 200,
D23/207; 220/676, 913; 141/84, 331; 137/142,
137/269, 544; 210/238, 472, 473, 348, 419,
210/300, 311, 477, 266, 282, 289, 295; 99/275,
99/279, 318, 433, 321-323, 283, 495, 499,
99/295, 306; 4/289; 7/110; 426/79, 82,
426/112, 433, 77, 432

See application file for complete search history.

(56) **References Cited**

U.S. PATENT DOCUMENTS

305,523	A *	9/1884	Loagan	62/319
394,213	A *	12/1888	Soanell	4/289
545,662	A *	9/1895	Stewart	220/300
713,192	A *	11/1902	Aubry	99/306
D277,255	S *	1/1985	Deruntz	D7/387
4,995,975	A *	2/1991	Jacquot et al.	210/266

5,125,327	A *	6/1992	Winnington-Ingram	99/306
5,424,083	A *	6/1995	Lozito	426/82
D396,603	S *	8/1998	Gasser	D7/400
D447,911	S *	9/2001	J.o slashed.rgensen	D7/400
6,283,013	B1 *	9/2001	Romandy et al.	99/322
6,502,715	B2 *	1/2003	Miorelli	220/719
D548,329	S *	8/2007	Cimino	D24/108
2007/0101870	A1 *	5/2007	Liu et al.	99/495

* cited by examiner

Primary Examiner—Philip S. Hyder

Assistant Examiner—Cynthia Underwood

(74) *Attorney, Agent, or Firm*—Young Basile Hanlon
MacFarlane & Helmholdt

(57) **CLAIM**

The ornamental design for a coffee filter, as shown and described.

DESCRIPTION

FIG. 1 is a perspective view embodying the ornamental design constituting my invention;

FIG. 2 is a front elevational view thereof;

FIG. 3 is a rear elevational view thereof;

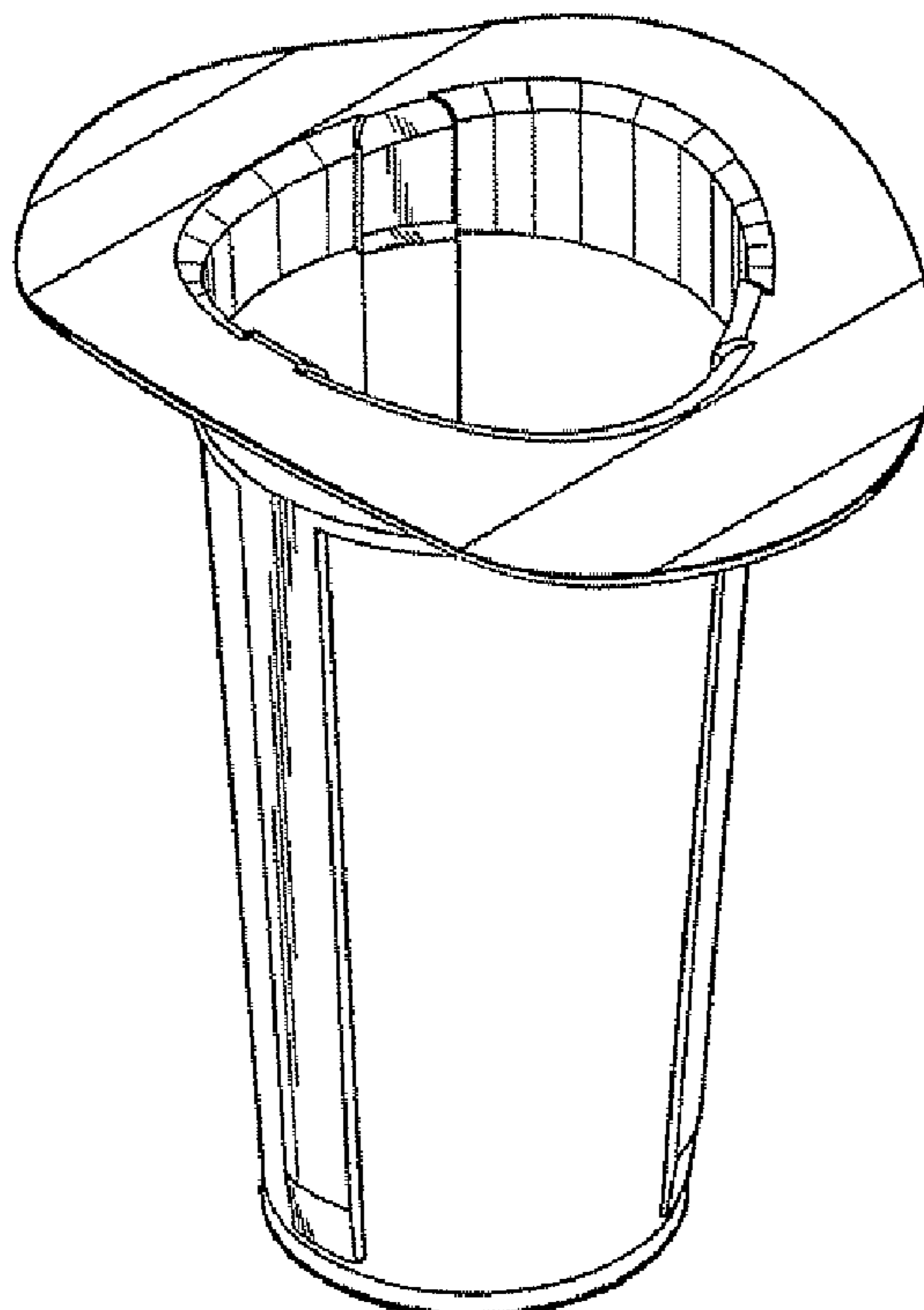
FIG. 4 is a right-side view thereof,

FIG. 5 is a left side view thereof;

FIG. 6 is a plan view thereof; and,

FIG. 7 is a bottom view thereof.

1 Claim, 2 Drawing Sheets



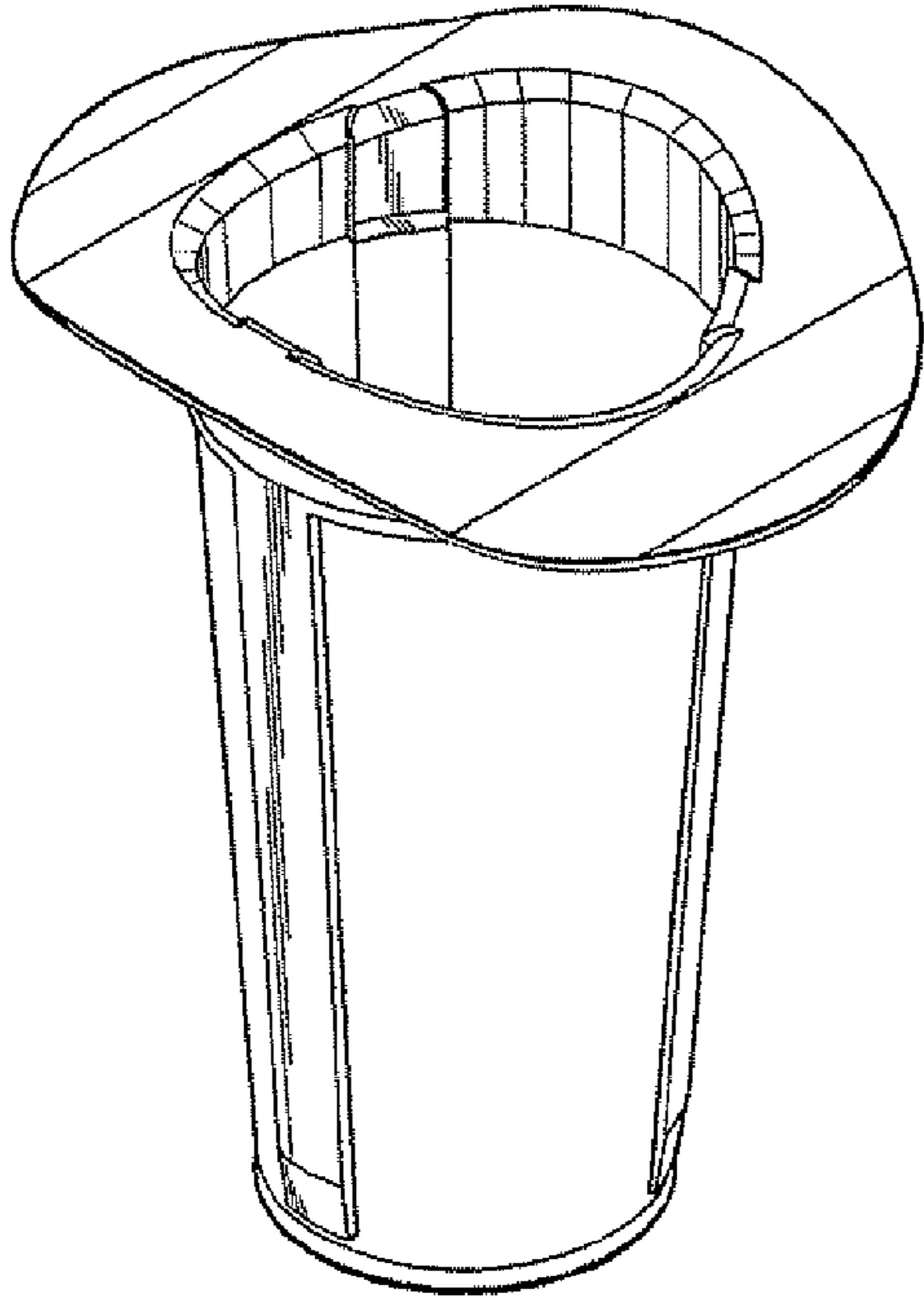


FIGURE 1

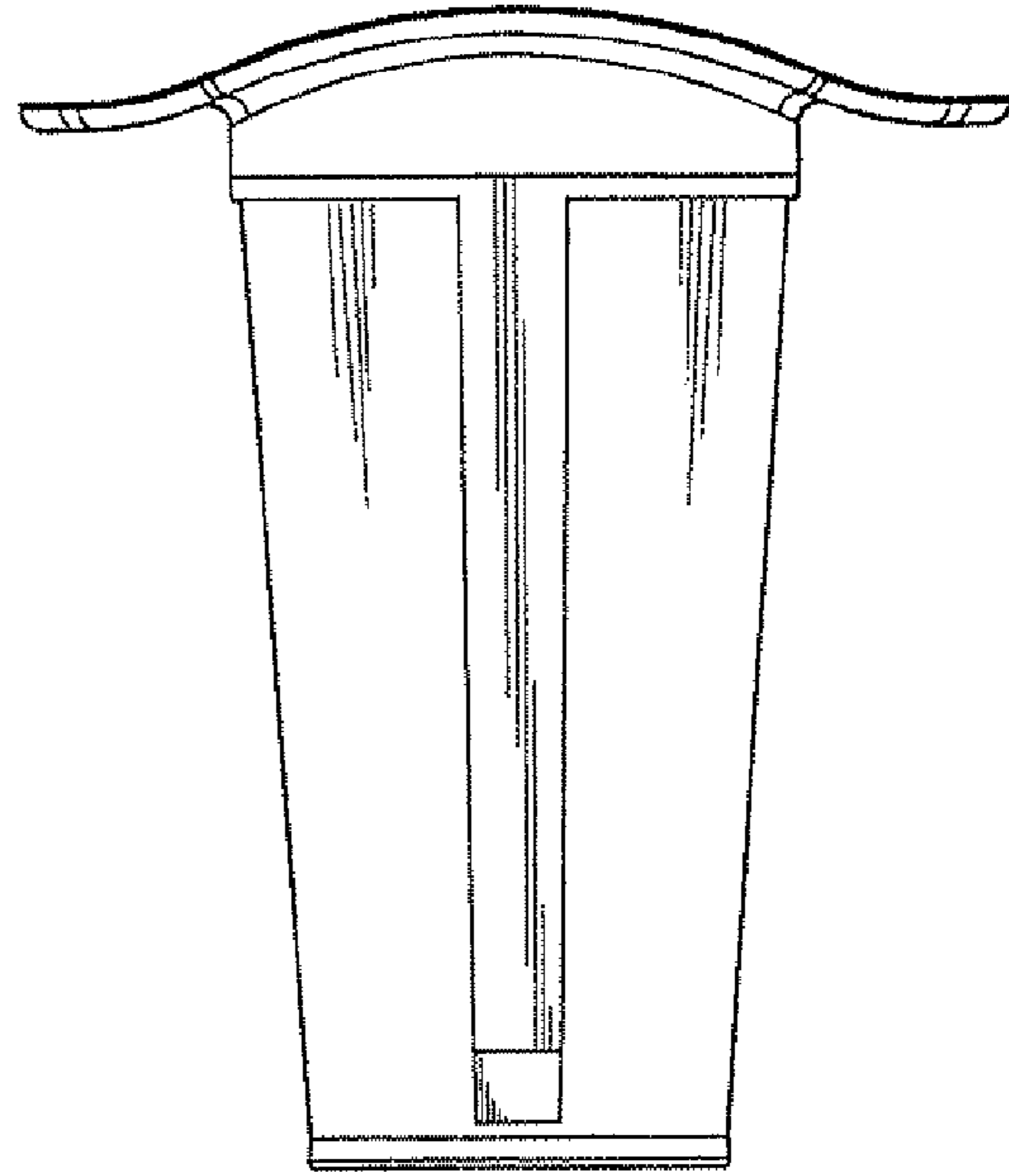


FIGURE 2

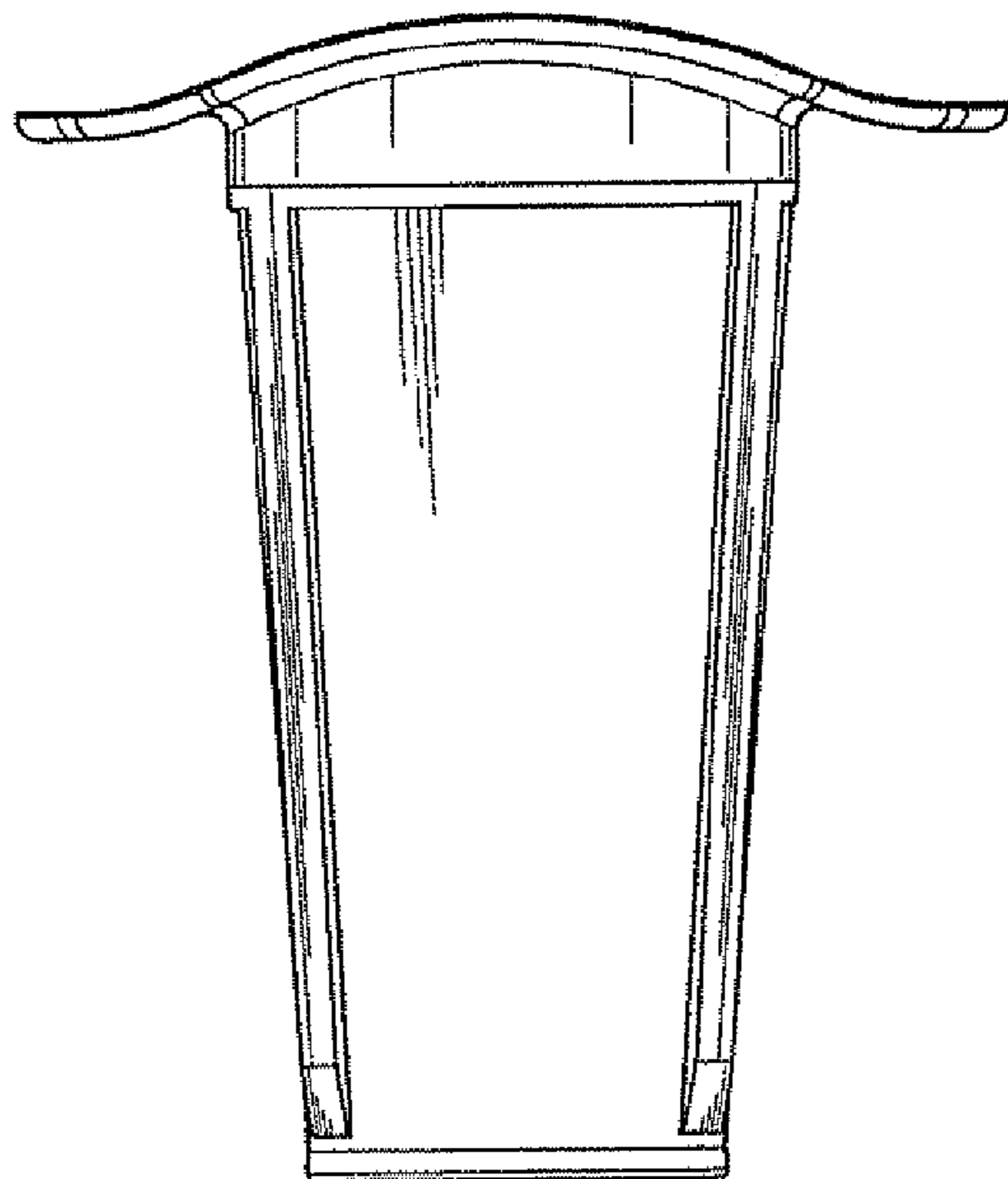


FIGURE 3

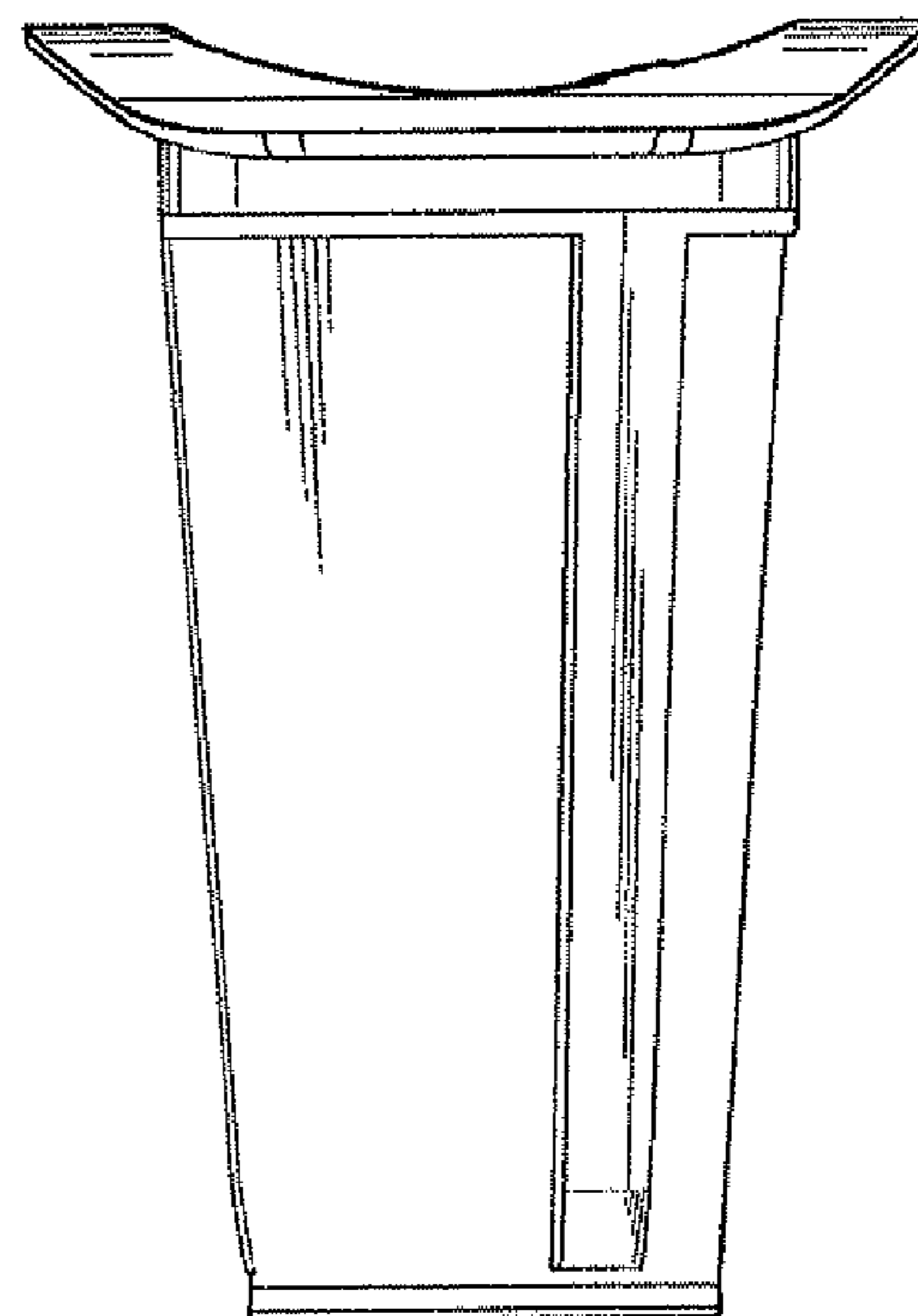


FIGURE 4

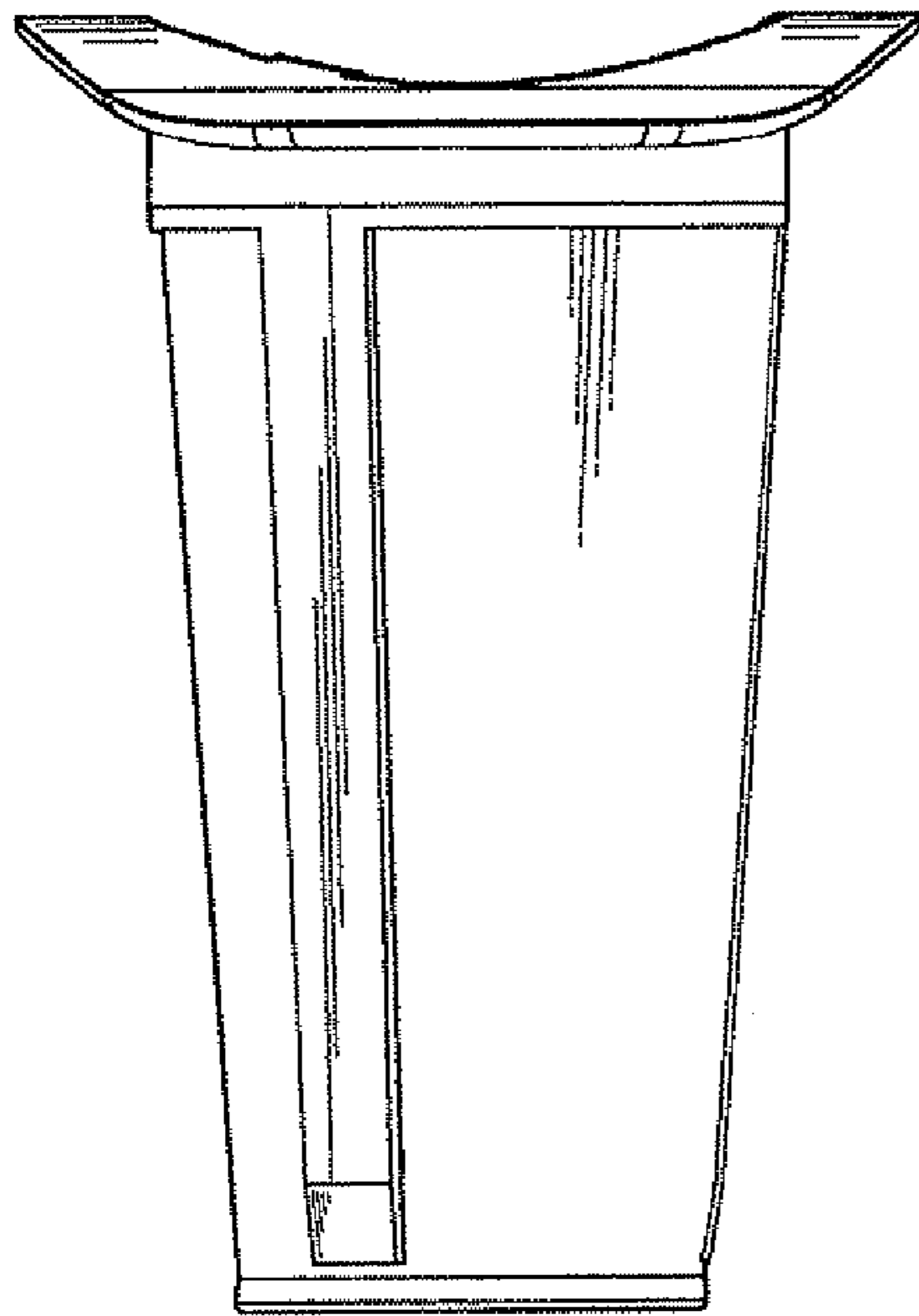


FIGURE 5

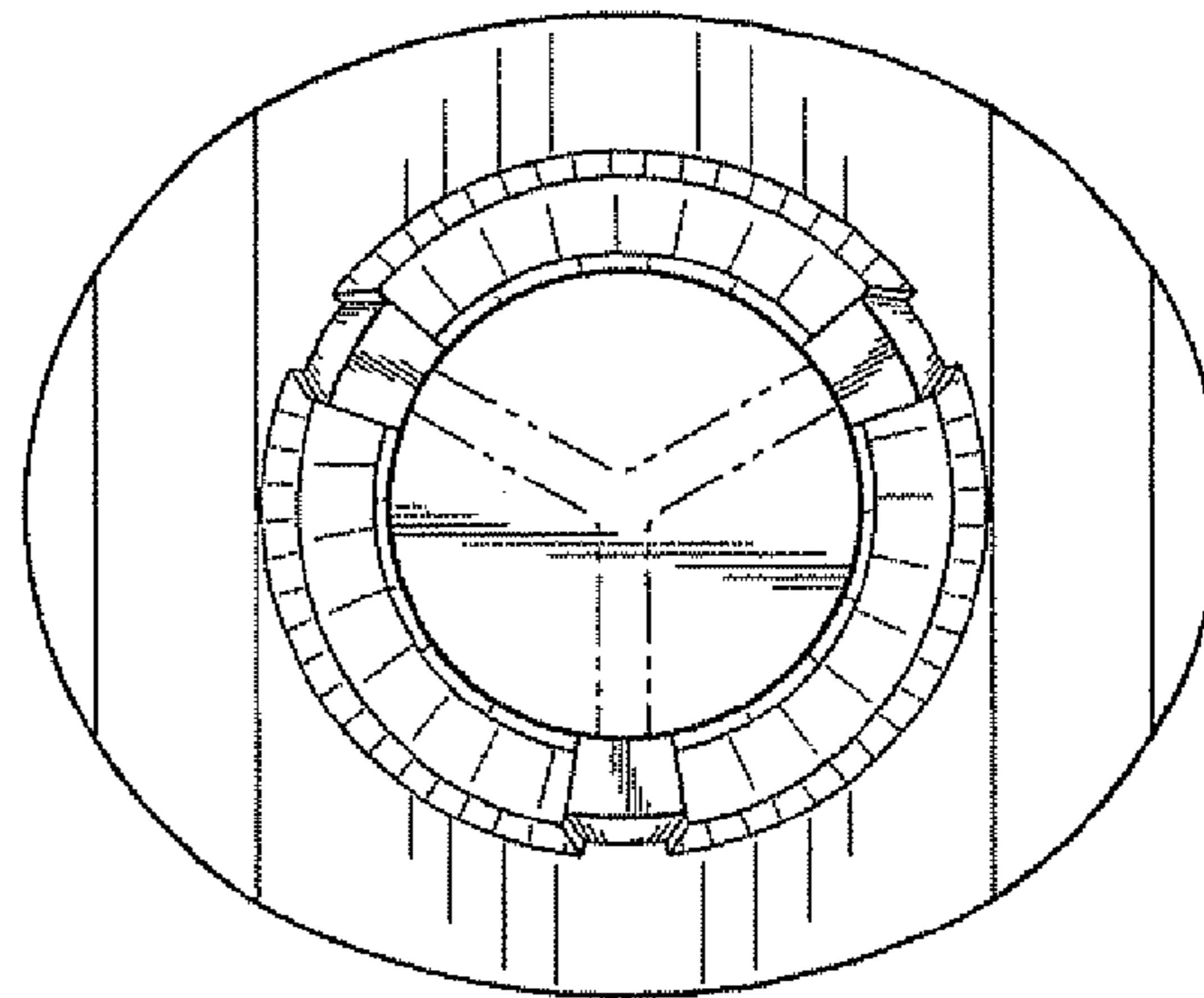


FIGURE 6

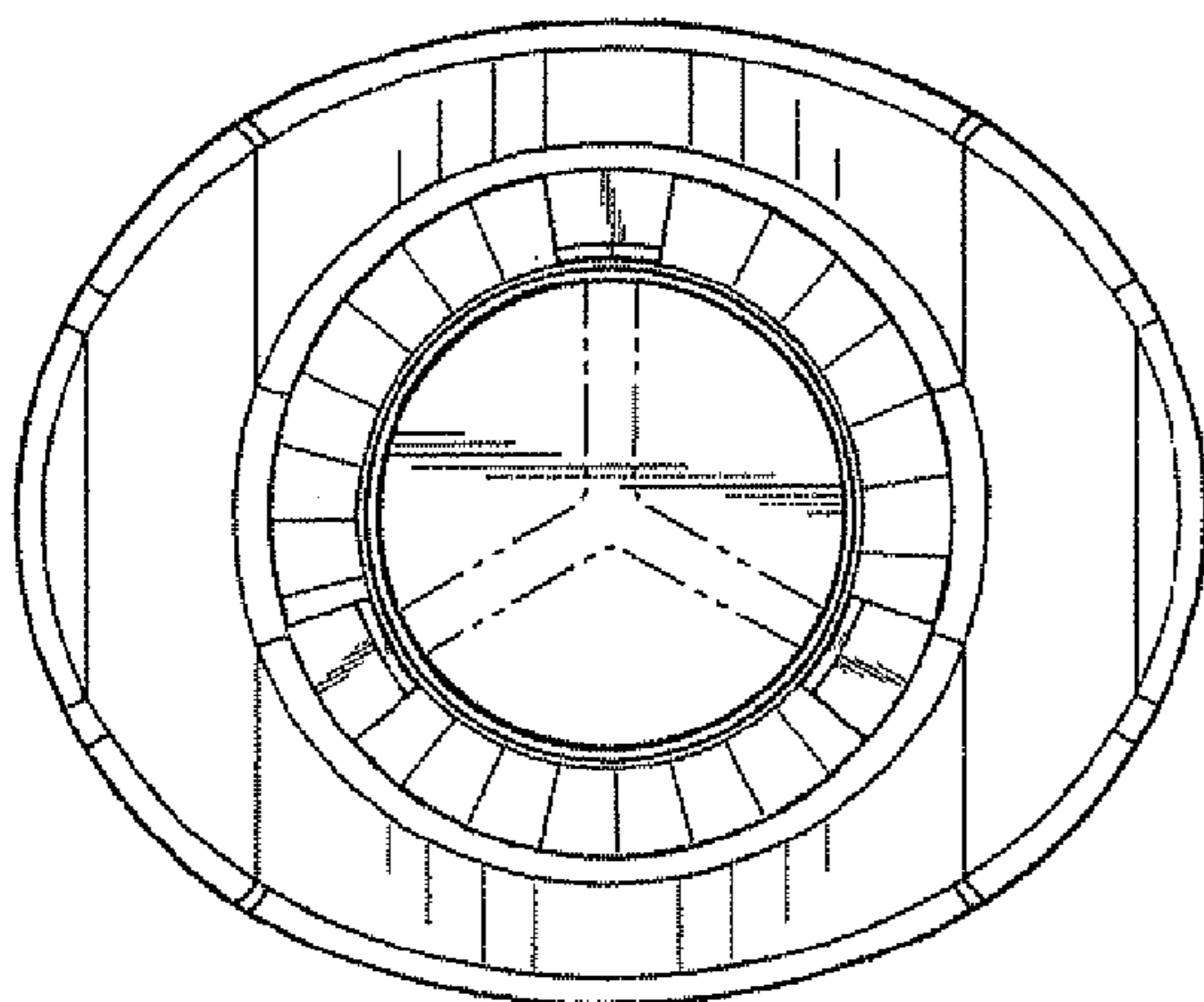


FIGURE 7