



US00D565349S

(12) **United States Design Patent**
Denisart et al.

(10) **Patent No.:** **US D565,349 S**

(45) **Date of Patent:** **** Apr. 1, 2008**

(54) **CAPSULE HOLDER**

(75) Inventors: **Jean-Luc Denisart**, Cully (CH);
Sébastien Dassi, Neuchâtel (CH); **Yves Marmier**, La Chaux-de-Fonds (CH);
Pierre Struzka, Lausanne (CH)

(73) Assignee: **Societe des Produits Nestle S.A.**,
Vevey (CH)

(**) Term: **14 Years**

(21) Appl. No.: **29/253,608**

(22) Filed: **Feb. 9, 2006**

(30) **Foreign Application Priority Data**

Aug. 11, 2005 (CH) 131988

(51) **LOC (8) Cl.** **07-01**

(52) **U.S. Cl.** **D7/400; D7/399; D7/387**

(58) **Field of Classification Search** D7/303,
D7/306, 309, 316-319, 368, 372, 373, 387,
D7/392, 394, 396, 397, 399, 402, 667, 669,
D7/400, 647; D6/361; D9/434, 435, 447;
D23/209; 99/275, 279, 297, 283, 303, 315,
99/495; 100/110, 125, 234, 289; 137/148;
150/901; 210/348, 469; 215/10; 220/4.01,
220/592.26; 222/1, 318, 449; 426/433

See application file for complete search history.

(56) **References Cited**

U.S. PATENT DOCUMENTS

769,785 A * 9/1904 Bruen 100/226
1,470,783 A * 10/1923 Vincent 83/762

D92,880 S * 7/1934 Christman D7/361
D143,105 S * 12/1945 Zabel et al. D7/667
4,497,243 A * 2/1985 Cavalli 99/323
D332,377 S * 1/1993 Aditya D7/667
5,473,973 A * 12/1995 Cortese 99/295
6,237,474 B1 * 5/2001 Short et al. 99/510
D456,221 S * 4/2002 Tse D7/667
D457,787 S * 5/2002 Liu D7/667
D499,312 S * 12/2004 So D7/667
D502,053 S * 2/2005 Bodum D7/400
D523,691 S * 6/2006 Greenwood et al. D7/400

* cited by examiner

Primary Examiner—Philip S. Hyder

Assistant Examiner—Cynthia Underwood

(74) *Attorney, Agent, or Firm*—Bell, Boyd & Lloyd LLP

(57) **CLAIM**

The ornamental design for a capsule holder, as shown and described herein.

DESCRIPTION

FIG. 1 illustrates a top view of the capsule holder.

FIG. 2 illustrates a bottom view of the capsule holder of FIG. 1.

FIG. 3 illustrates a right side view of the capsule holder of FIG. 1, wherein the left side view is a mirror image of this view.

FIG. 4 illustrates a front view of the capsule holder of FIG. 1; and,

FIG. 5 illustrates a back view of the capsule holder of FIG. 1.

1 Claim, 4 Drawing Sheets

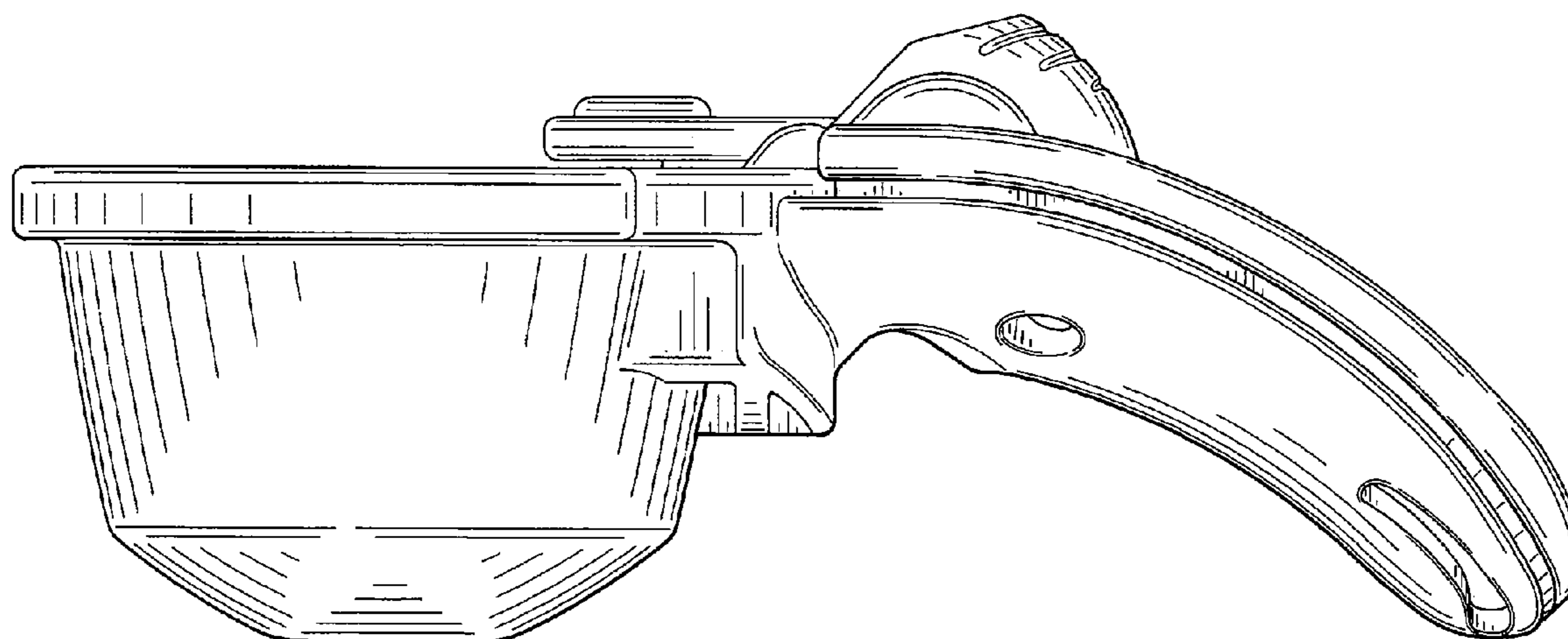


FIG.1

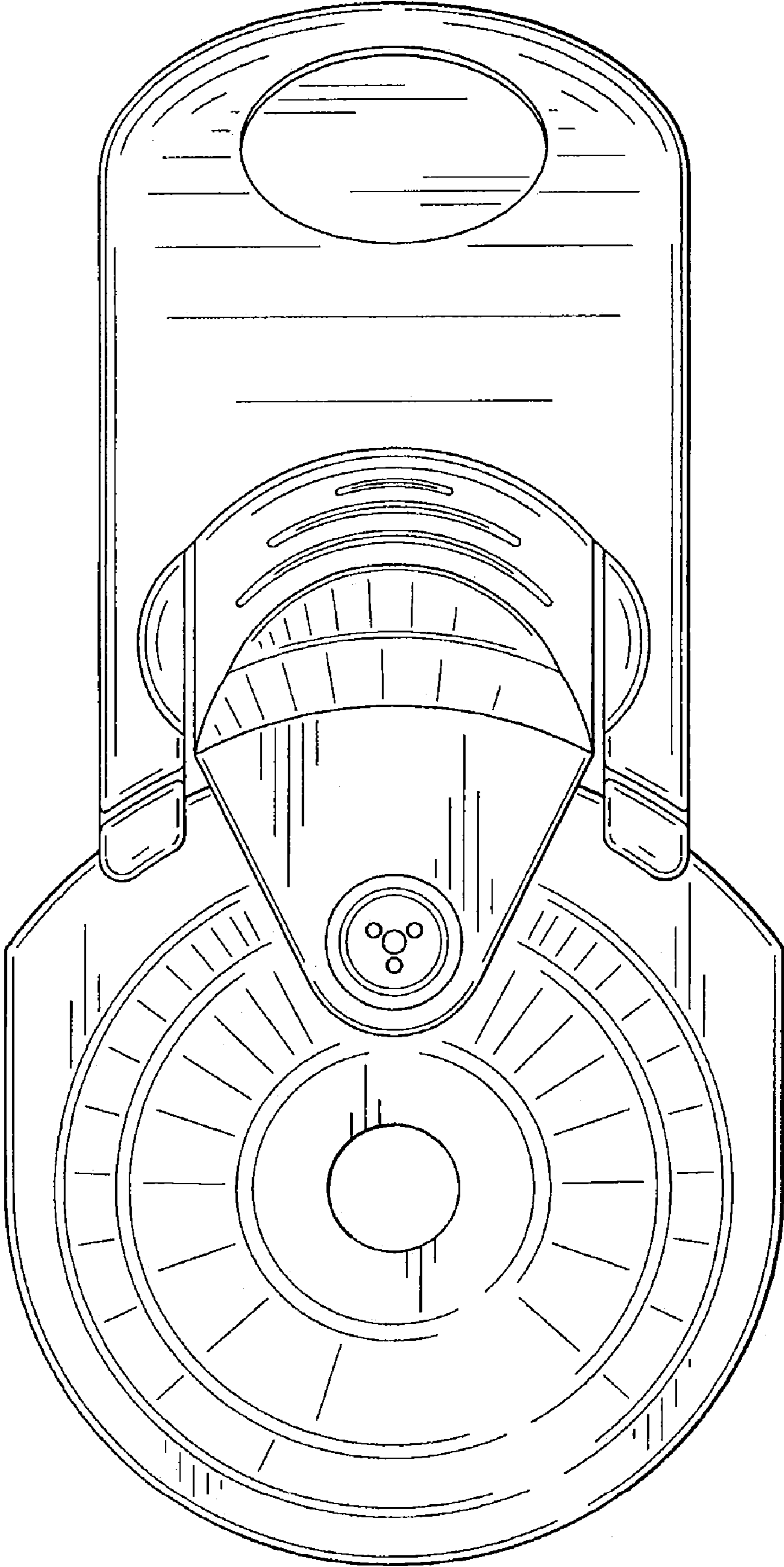


FIG. 2

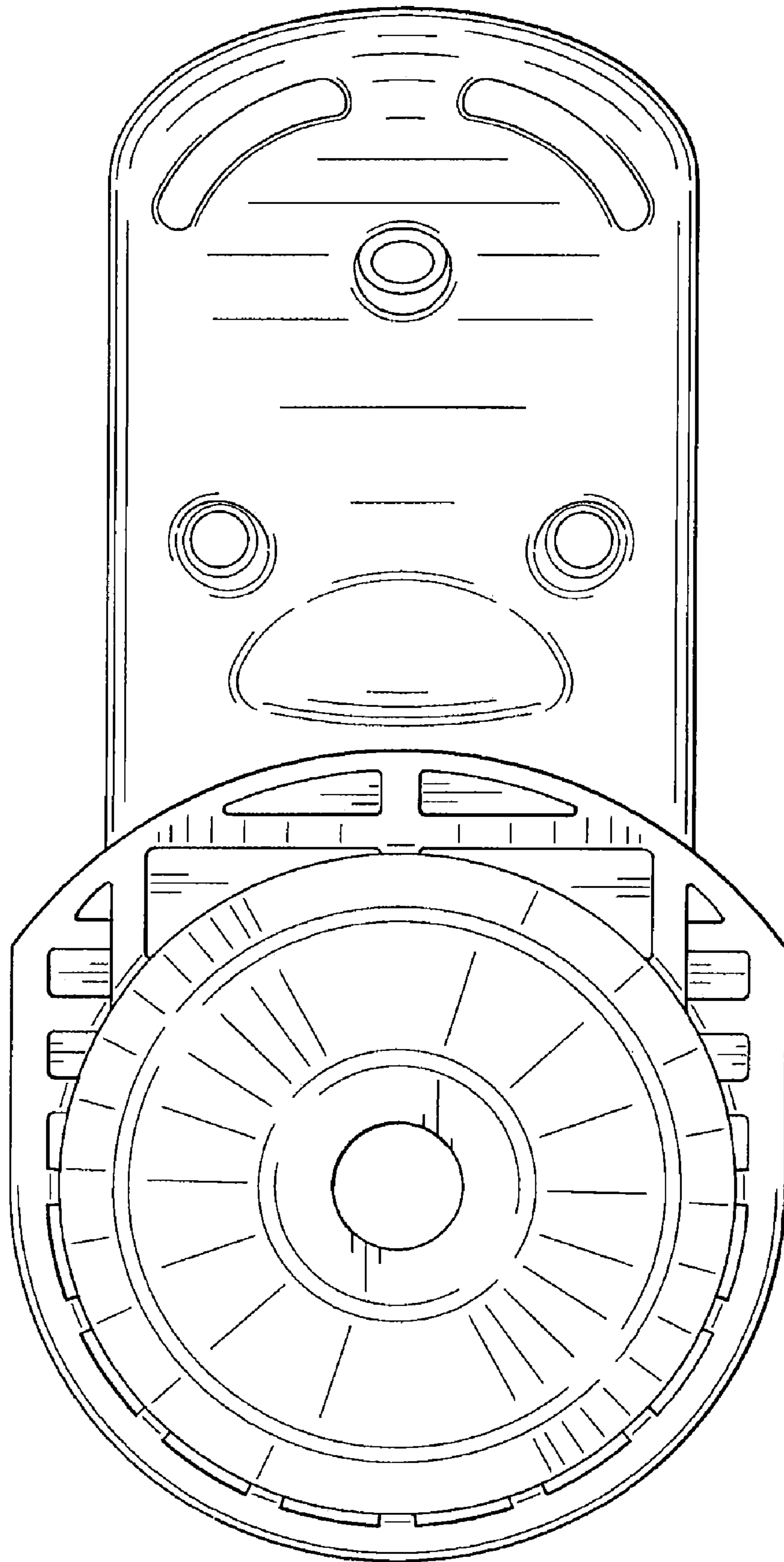


FIG. 3

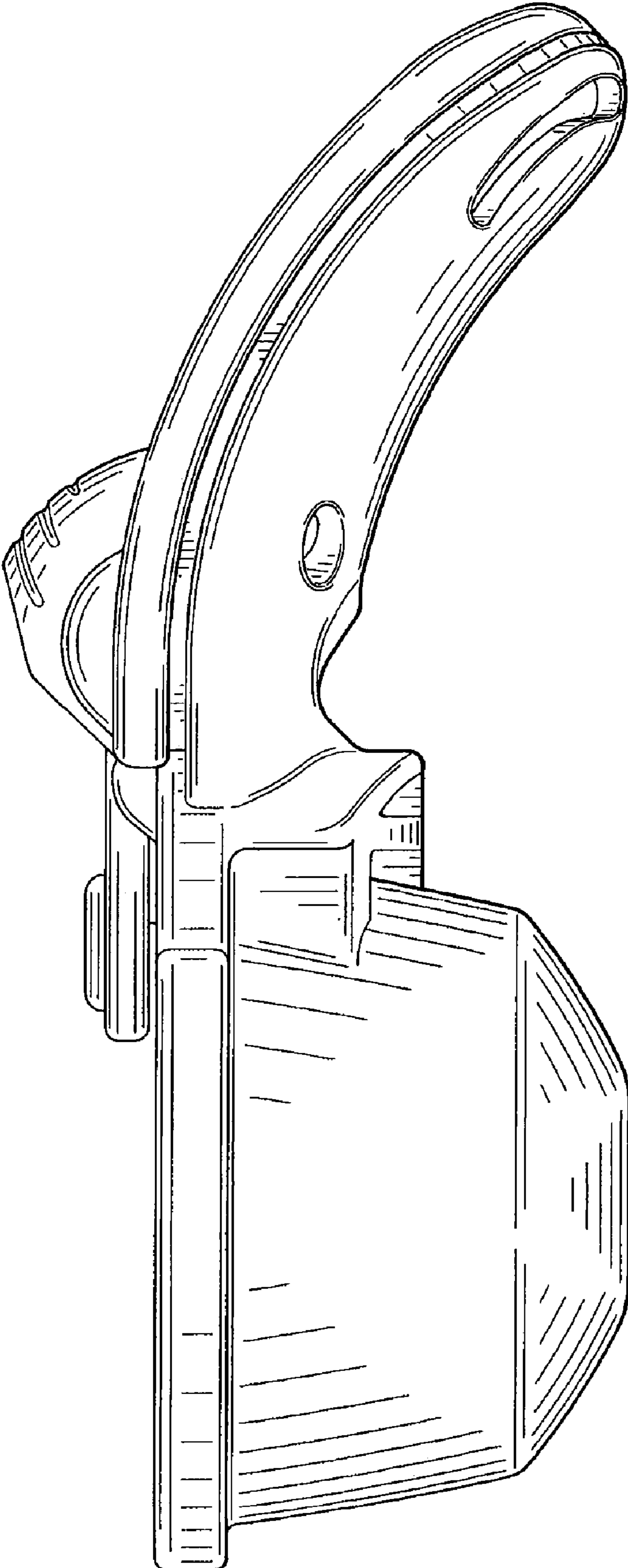


FIG.4

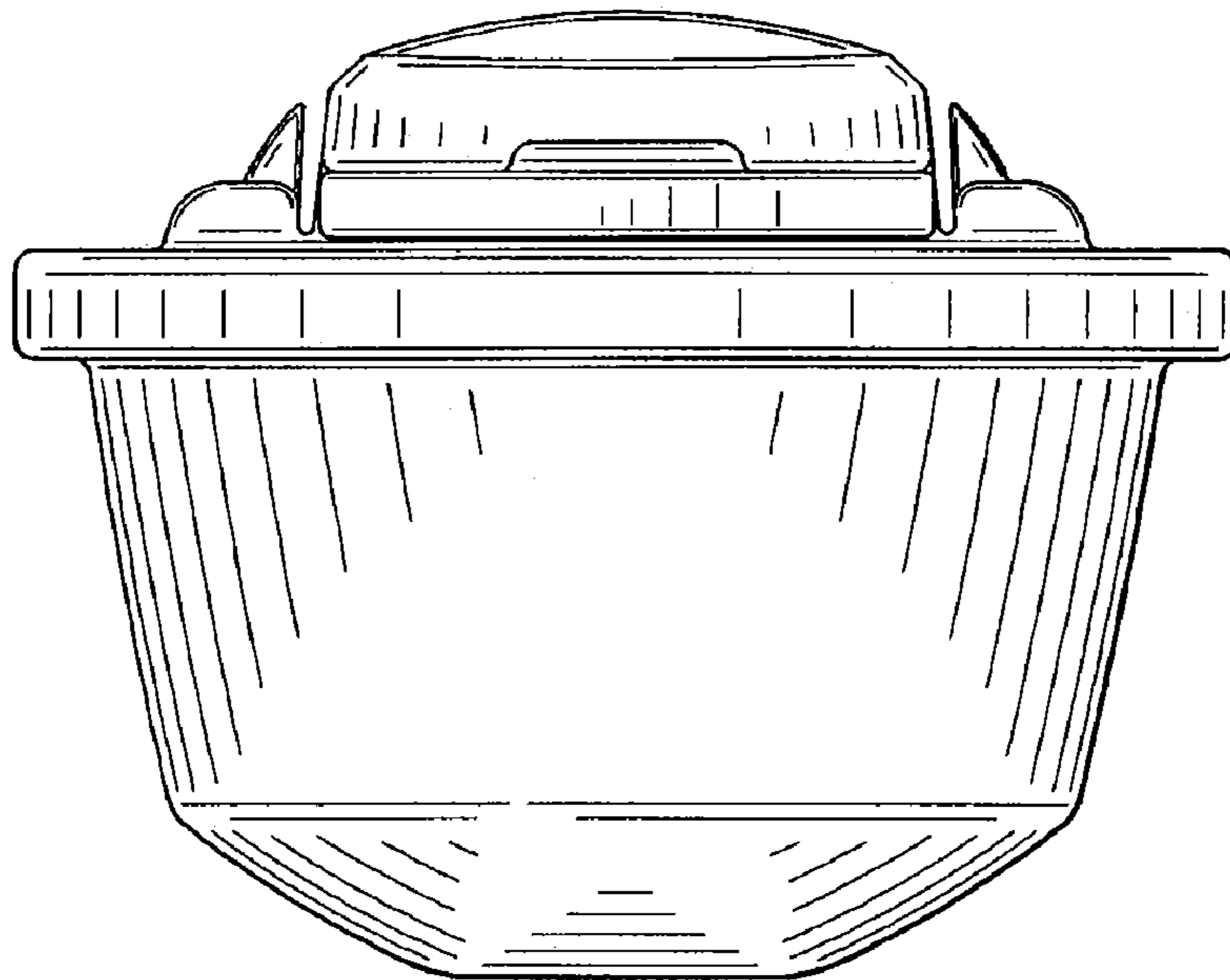


FIG.5

