



US00D565342S

(12) **United States Design Patent**
Ryan

(10) **Patent No.:** **US D565,342 S**

(45) **Date of Patent:** **** Apr. 1, 2008**

(54) **COOKING VESSEL FOR A SLOW COOKER**

(75) Inventor: **Mary Anne Ryan**, Millville, MA (US)

(73) Assignee: **Sunbeam Products, Inc.**, Boca Raton, FL (US)

(**) Term: **14 Years**

(21) Appl. No.: **29/213,718**

(22) Filed: **Sep. 22, 2004**

D176,063 S *	11/1955	Collura	D7/360
D230,935 S *	3/1974	Lloveras	D7/360
D241,601 S *	9/1976	Cook	D7/356
D248,363 S	7/1978	Rinaldi	
D278,403 S *	4/1985	Cesaroni	D7/360
D284,257 S	6/1986	Greb et al.	
D336,815 S	6/1993	Cashin et al.	
D366,592 S	1/1996	Cesaroni et al.	
5,865,098 A	2/1999	Anelli	
D409,447 S *	5/1999	Henry	D7/542
D412,263 S *	7/1999	Jozancy	D7/354
D416,434 S *	11/1999	Pollnow	D7/360

(Continued)

Related U.S. Application Data

(63) Continuation-in-part of application No. 29/205,339, filed on May 13, 2004, now Pat. No. Des. 511,268.

(51) **LOC (8) Cl.** **07-02**

(52) **U.S. Cl.** **D7/354**

(58) **Field of Classification Search** D7/323, D7/545, 354-361, 337; 219/429, 432, 438, 219/440, 401, 441; 99/324, 325, 340, 347, 99/403, 410, 411-413, 419; 220/573.1, 912
See application file for complete search history.

(56) **References Cited**

U.S. PATENT DOCUMENTS

D68,561 S *	10/1925	Anduze	D7/542
D91,075 S *	11/1933	Miller	D7/542
D96,141 S *	7/1935	Smith	D7/542
D104,914 S *	6/1937	Cross	D7/360
D110,678 S *	7/1938	Smith	D7/542
D113,632 S *	3/1939	Howlett	D7/360
D152,042 S *	12/1948	Sundberg	D7/360
D170,575 S *	10/1953	Jepson	D7/360

Primary Examiner—Caron D. Veynar

Assistant Examiner—Ricky Pham

(74) *Attorney, Agent, or Firm*—Hoffmann & Baron, LLP

(57) **CLAIM**

The ornamental design for a cooking vessel for a slow cooker, as shown and described.

DESCRIPTION

FIG. 1 is a top perspective view of a cooking vessel for a slow cooker showing my new design;

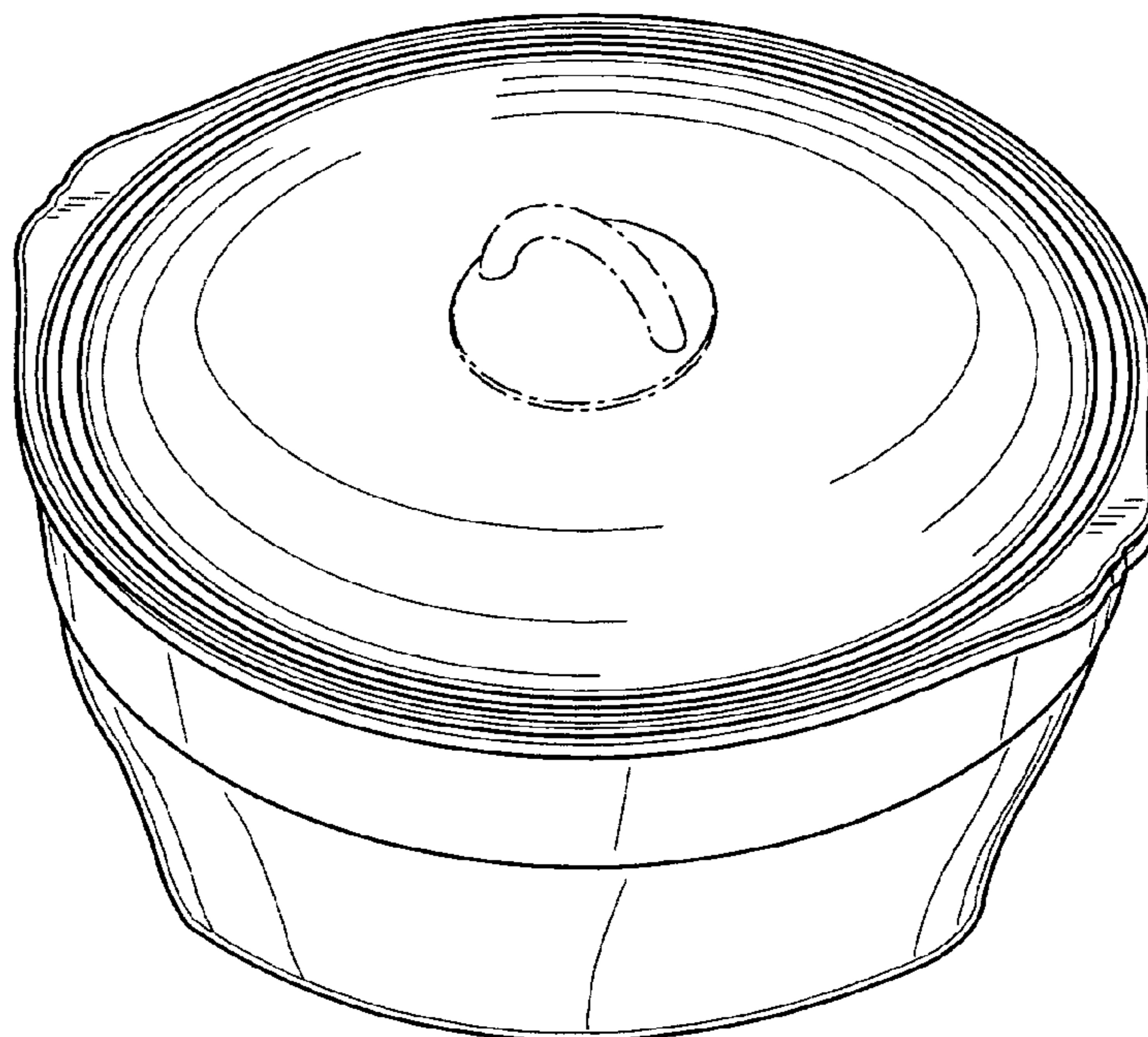
FIG. 2 is a top plan view thereof;

FIG. 3 is a front elevation view thereof; and,

FIG. 4 is a side elevation view thereof, the opposite side being a mirror image thereof.

The subject matter shown in broken lines is for illustrative purposes only and forms no part of the claimed design.

1 Claim, 4 Drawing Sheets



US D565,342 S

Page 2

U.S. PATENT DOCUMENTS

D420,246 S *	2/2000	Alonge et al.	D7/360	D459,144 S	6/2002	Brady	
D421,202 S *	2/2000	Demers	D7/538	D470,714 S *	2/2003	Kloppsteck	D7/360
D425,360 S *	5/2000	Dobson et al.	D7/360	6,573,483 B1	6/2003	DeCobert et al.	
D427,480 S *	7/2000	Brady	D7/354	D479,432 S *	9/2003	Barker	D7/360
D429,596 S *	8/2000	Hlava et al.	D7/360	D480,908 S	10/2003	Krasne	
D430,454 S *	9/2000	Garber et al.	D7/354	D503,584 S *	4/2005	White et al.	D7/355
D433,868 S *	11/2000	Jo	D7/360	D511,268 S *	11/2005	Ryan	D7/360
D433,869 S *	11/2000	Wong et al.	D7/360	D520,806 S *	5/2006	Ryan	D7/354
D434,940 S	12/2000	Hlava et al.		D523,687 S *	6/2006	Jian	D7/360
D444,994 S	7/2001	Kalina et al.		D523,694 S *	6/2006	Czebiniak	D7/542
D445,298 S *	7/2001	DeBord et al.	D7/360	D525,077 S *	7/2006	White et al.	D7/355
D448,238 S *	9/2001	Schmidt	D7/362	D535,856 S *	1/2007	Kell	D7/538
D450,528 S *	11/2001	Rossman	D7/360	2005/0173402 A1 *	8/2005	White et al.	219/432
D451,335 S *	12/2001	Rossman	D7/360				

* cited by examiner

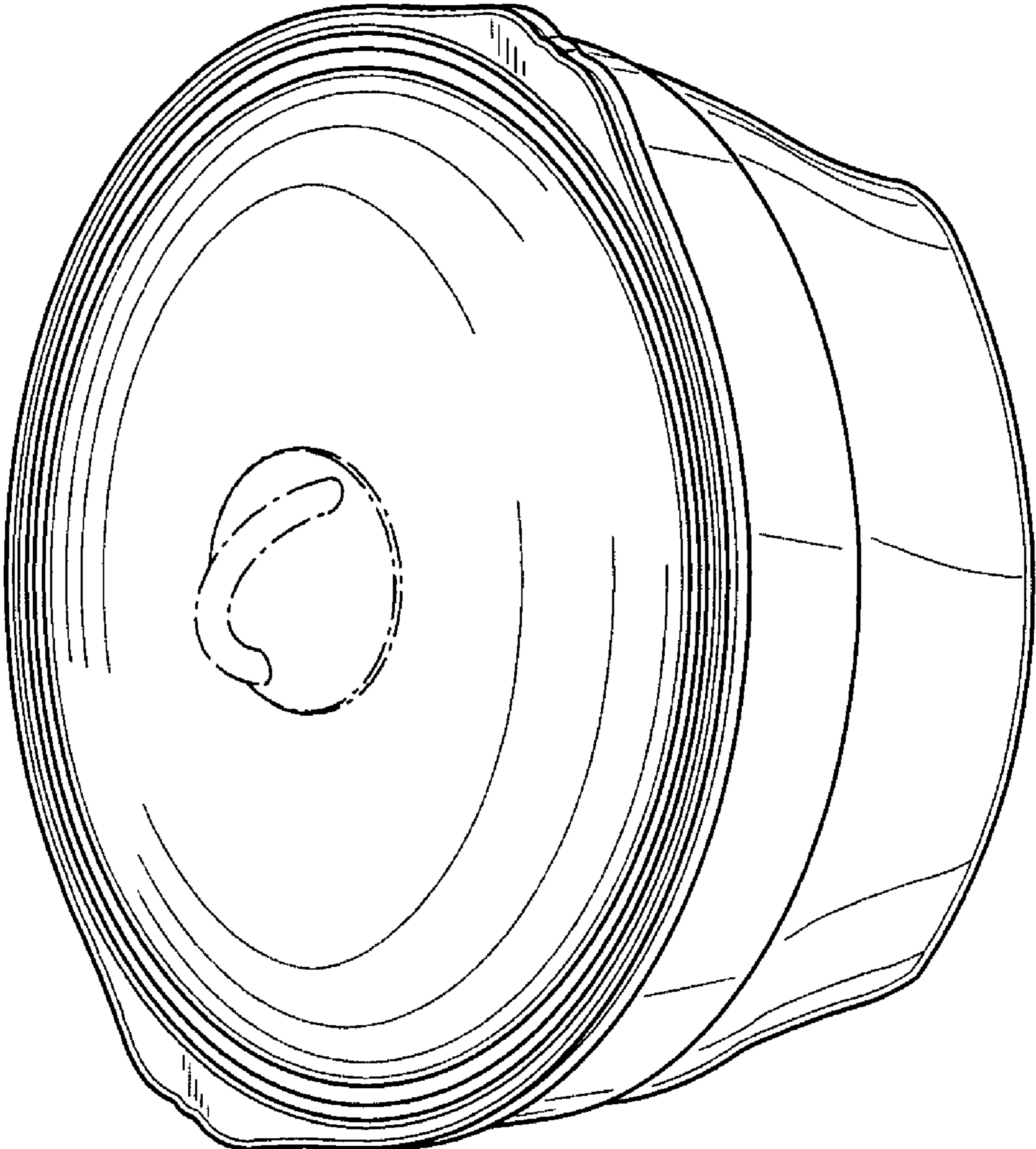


FIG. 1

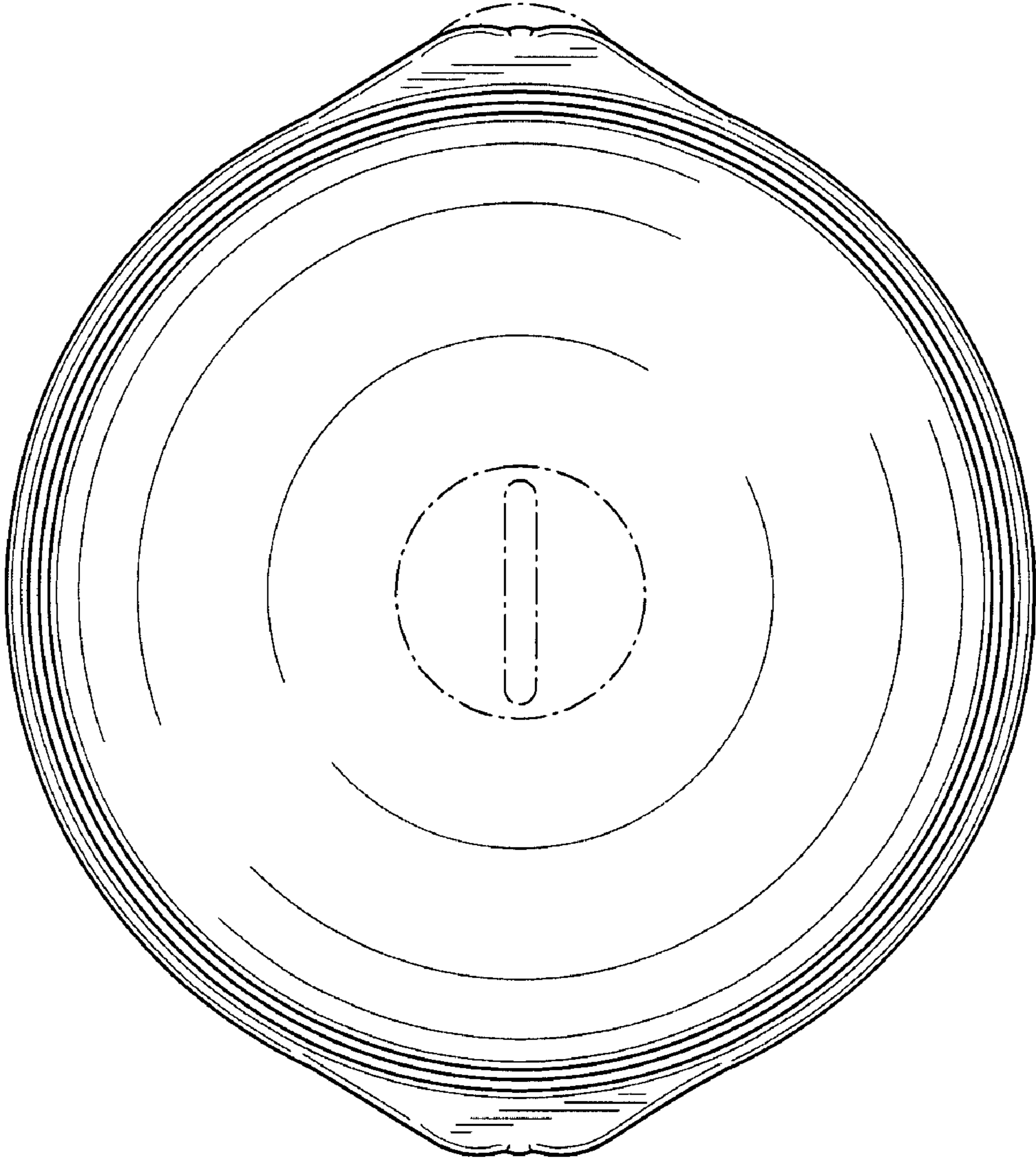


FIG. 2

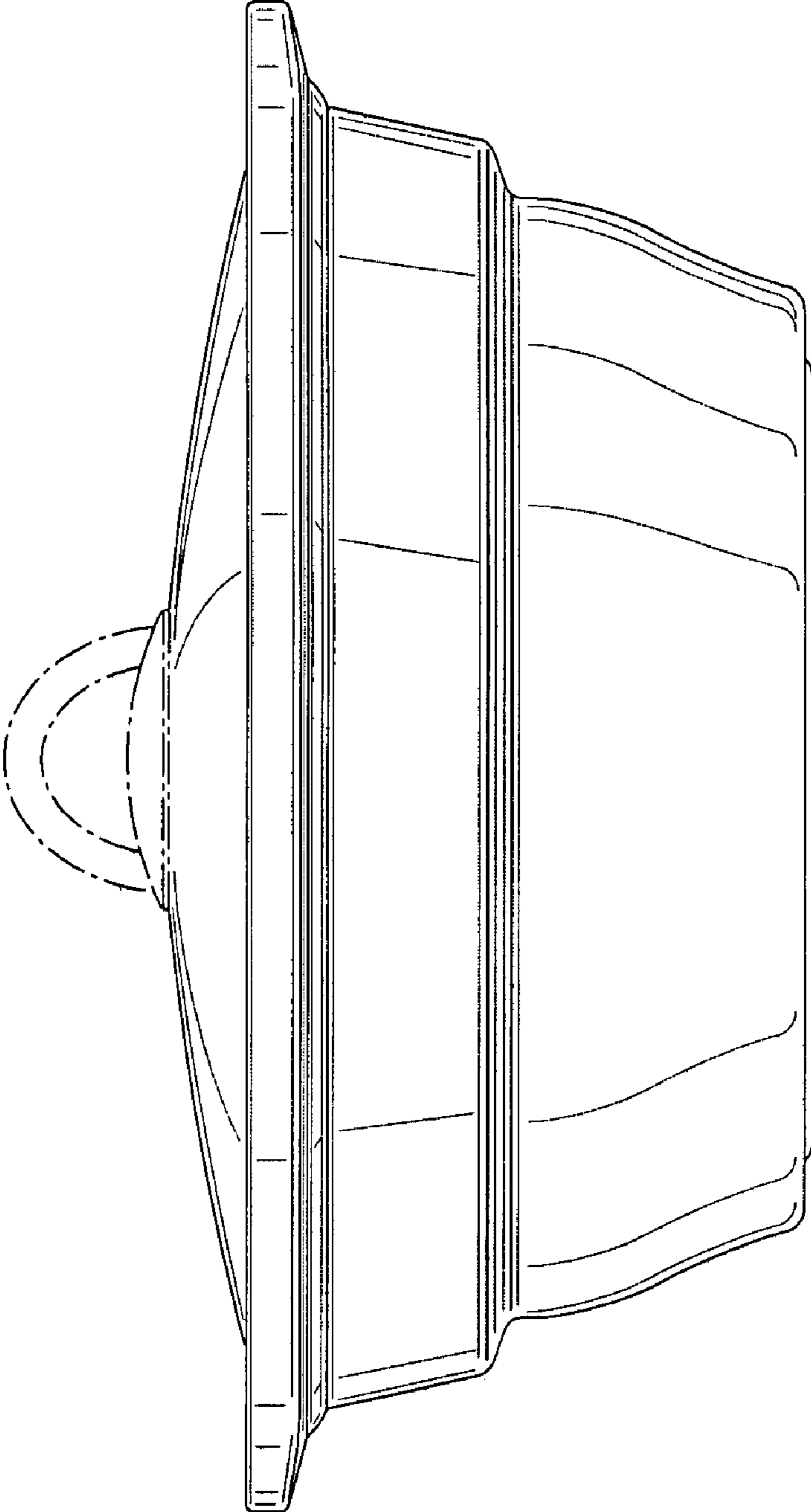


FIG. 3

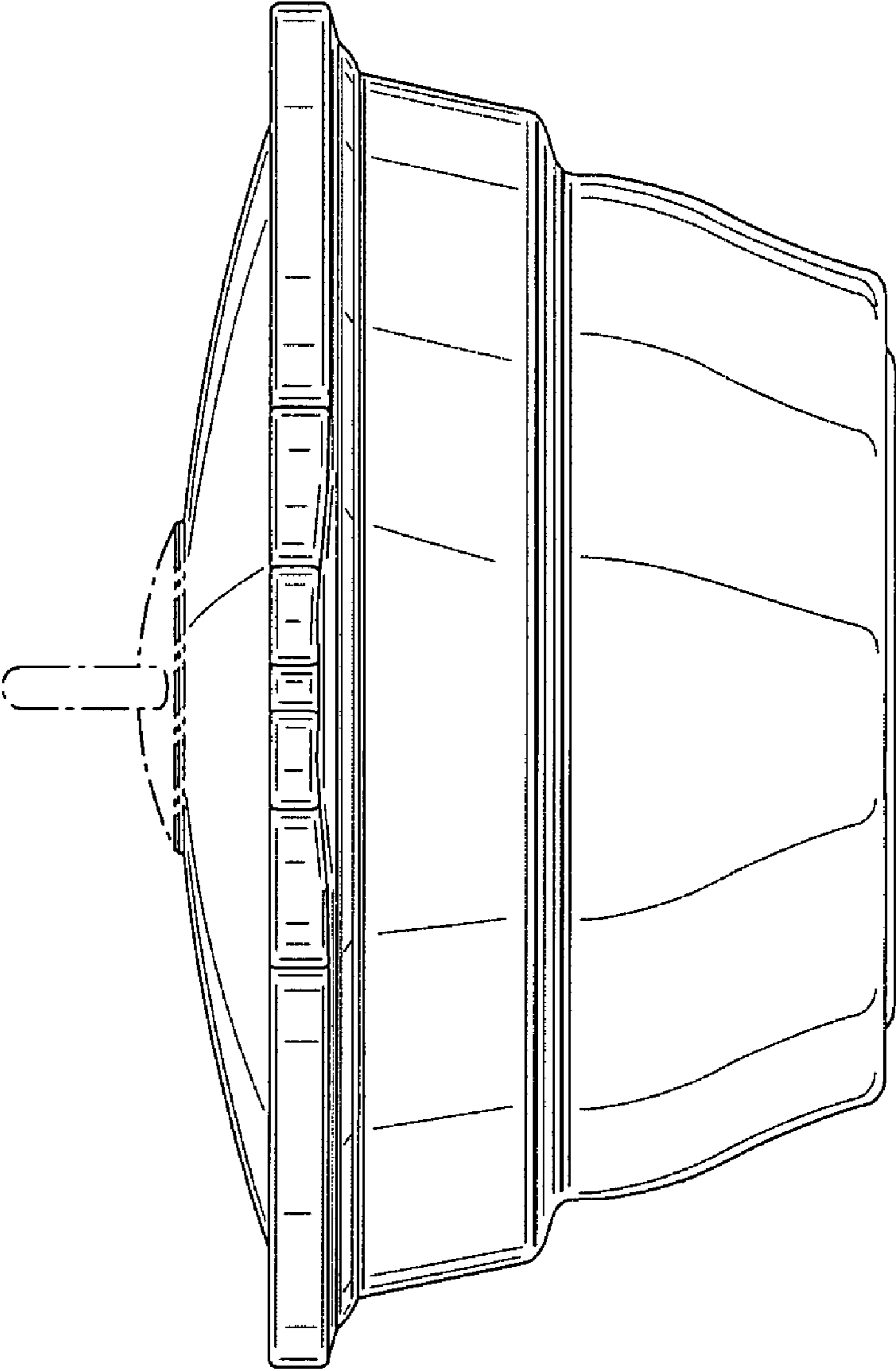


FIG. 4