



US00D565341S

(12) **United States Design Patent**
Jeon et al.

(10) **Patent No.:** **US D565,341 S**

(45) **Date of Patent:** **** Apr. 1, 2008**

(54) **MICROWAVE OVEN**

(75) Inventors: **Sei Ill Jeon**, Kyunggido (KR); **Young Min Park**, Seoul (KR)

(73) Assignee: **Samsung Electronics Co., Ltd.** (KR)

(**) Term: **14 Years**

(21) Appl. No.: **29/224,048**

(22) Filed: **Feb. 24, 2005**

(30) **Foreign Application Priority Data**

Jan. 24, 2005 (KR) 30-2005-0002158

(51) **LOC (8) Cl.** **07-02**

(52) **U.S. Cl.** **D7/351**

(58) **Field of Classification Search** D7/350.1,
D7/350.2, 350.3, 350.4, 351, 402-403, 405-406;
126/19 M, 275 E, 273 A; 219/756-758,
219/391, 402, 393; 99/DIG. 14

See application file for complete search history.

(56) **References Cited**

U.S. PATENT DOCUMENTS

- D315,656 S * 3/1991 Kim D7/351
- D334,109 S * 3/1993 Kim D7/351
- D364,311 S * 11/1995 Kim D7/351
- D436,493 S * 1/2001 Ozaki D7/351
- D439,468 S * 3/2001 Kim D7/351

- D442,820 S * 5/2001 Kim D7/351
- D452,410 S * 12/2001 Ichimura D7/351
- D478,465 S * 8/2003 Kanza D7/351

* cited by examiner

Primary Examiner—Ruth McInroy

(74) *Attorney, Agent, or Firm*—Irving Keschner

(57) **CLAIM**

The ornamental design for microwave oven, as shown.

DESCRIPTION

FIG. 1 is a perspective view of the ornamental design of the present invention;

FIG. 2 is a front elevational view of the ornamental design of the present invention;

FIG. 3 is a rear elevational view of the ornamental design of the present invention;

FIG. 4 is a left side elevational view of the ornamental design of the present invention;

FIG. 5 is a right side elevational view of the ornamental design of the present invention;

FIG. 6 is a top plan view of the ornamental design of the present invention; and,

FIG. 7 is a bottom view of the ornamental design of the present invention.

1 Claim, 3 Drawing Sheets

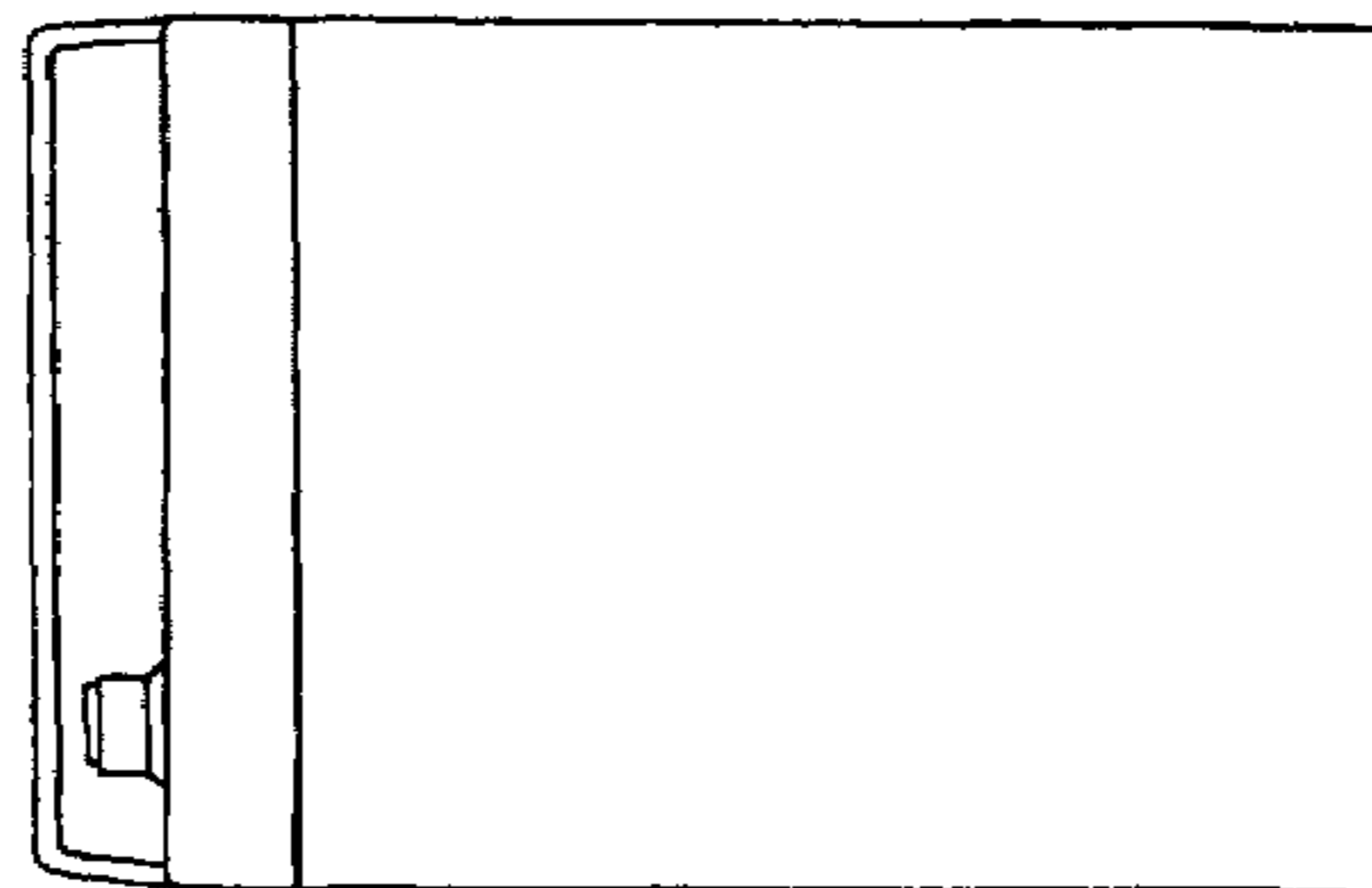
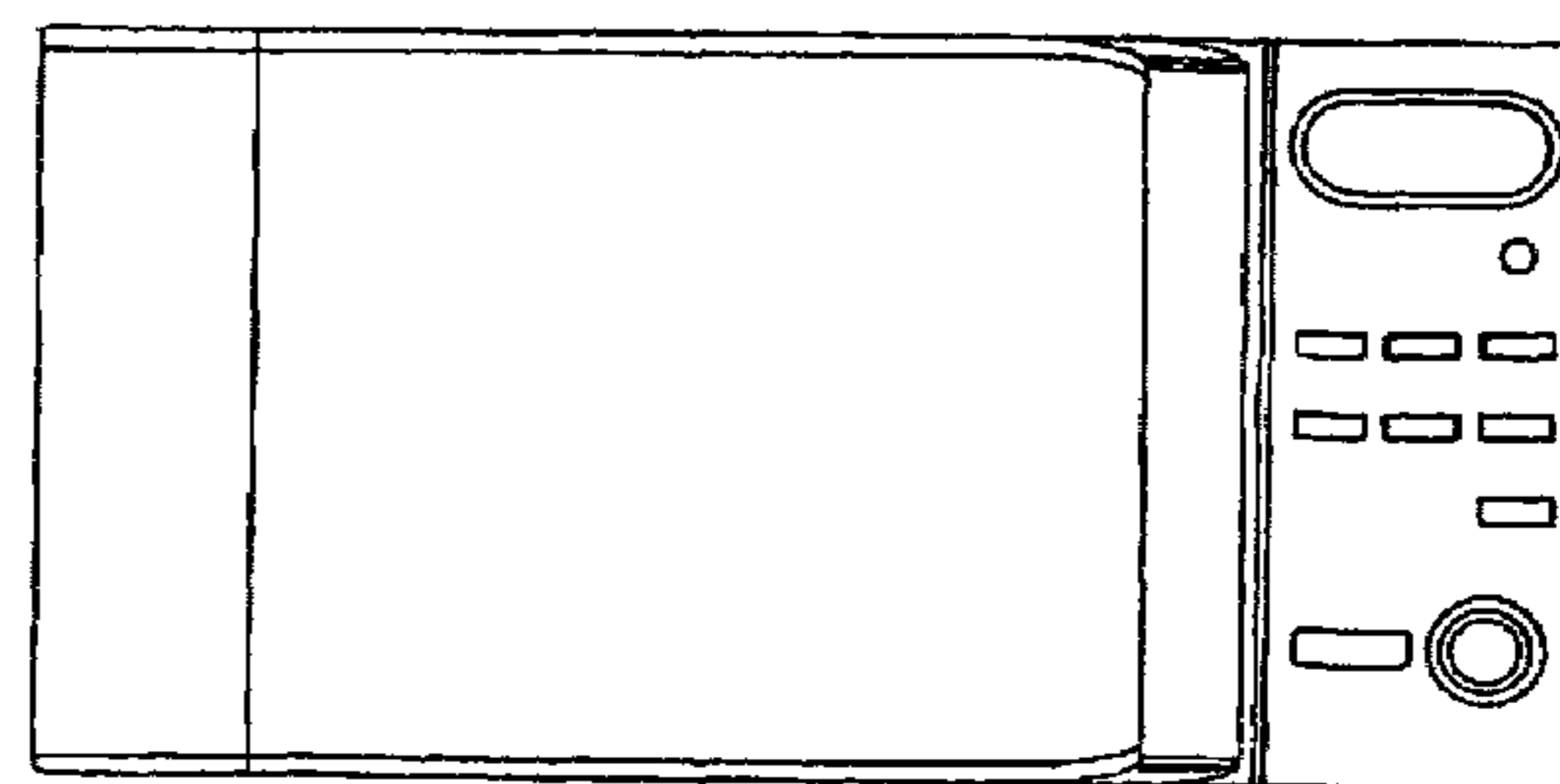
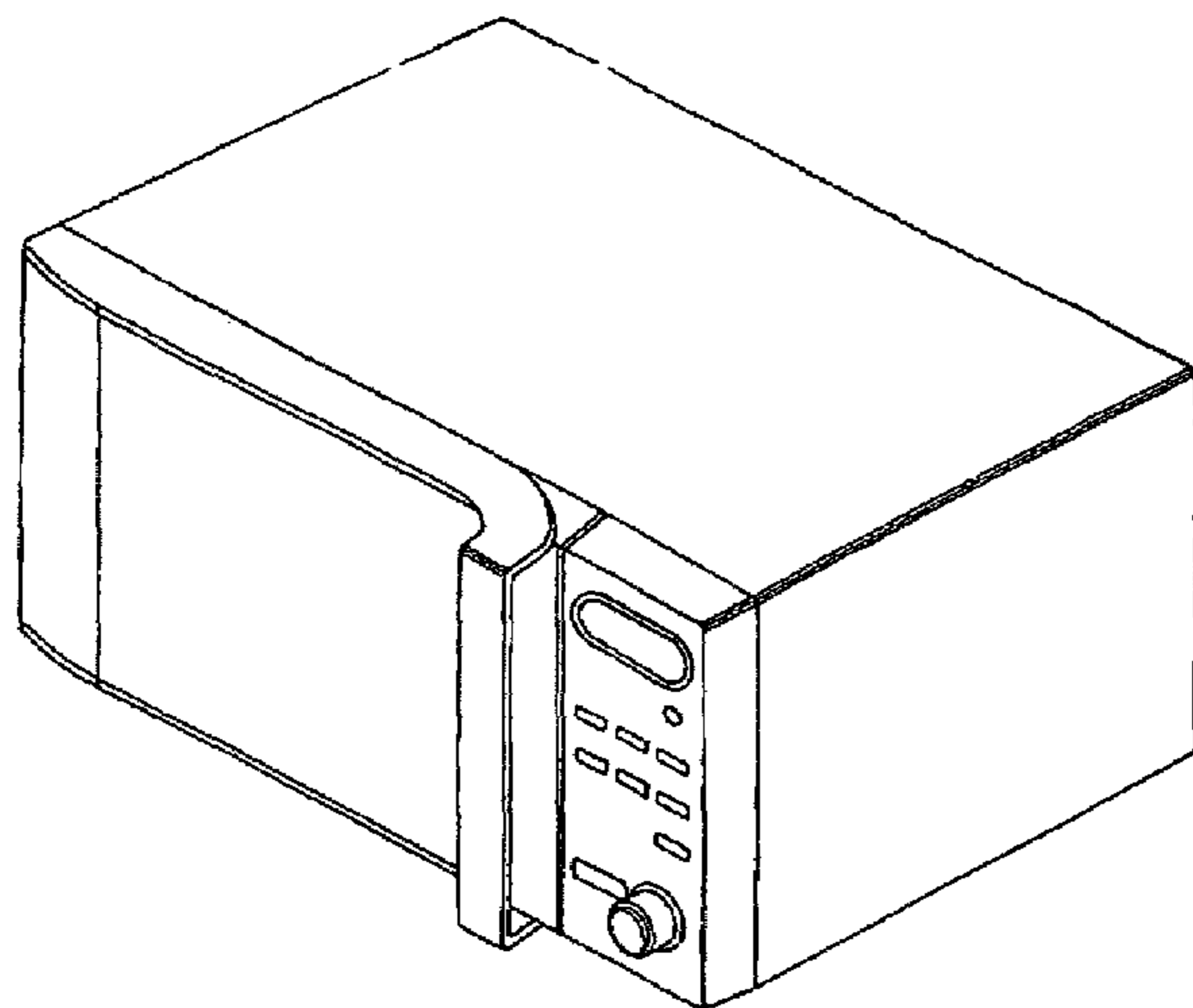


FIG. 1

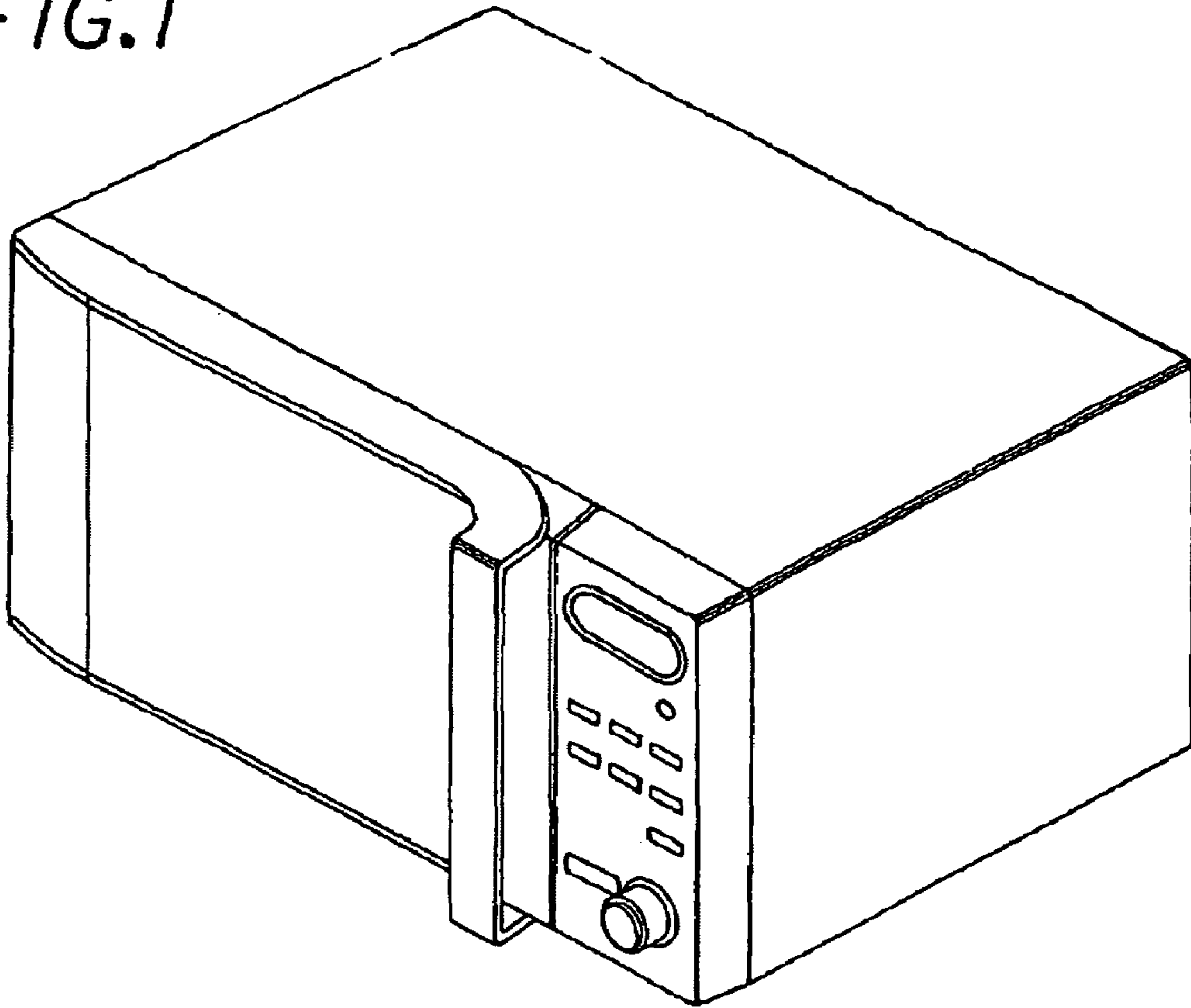


FIG. 2

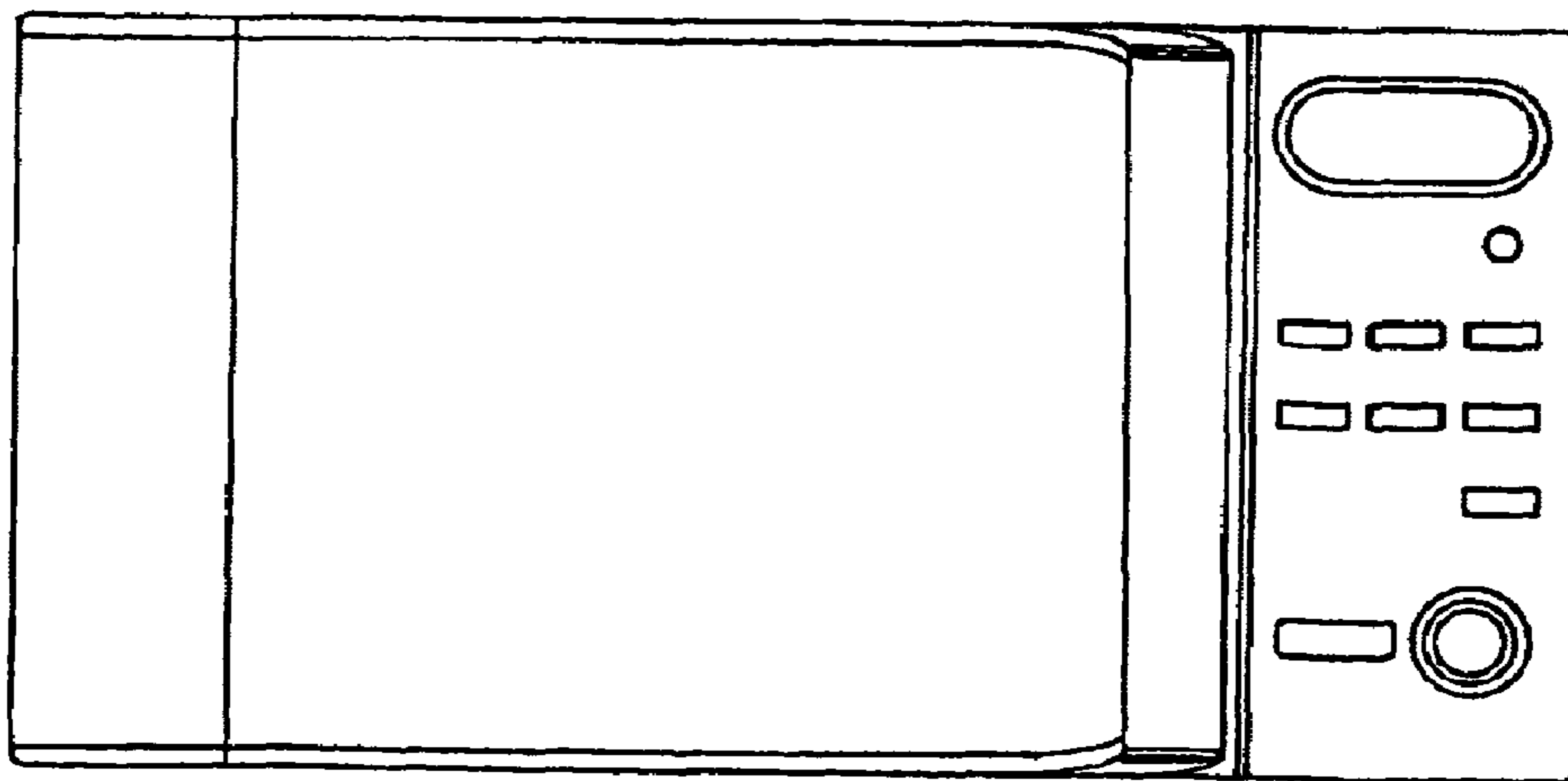


FIG. 3

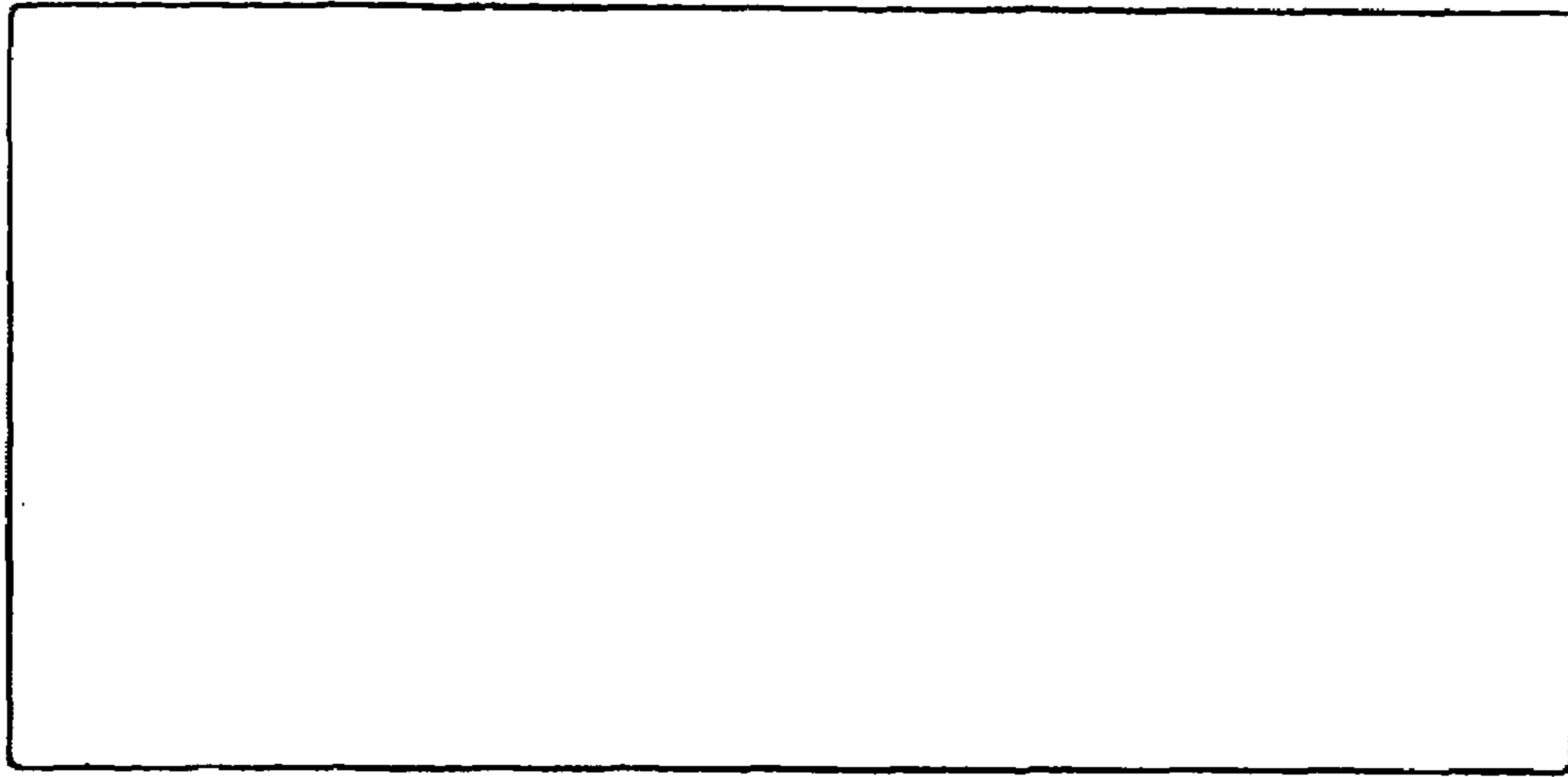


FIG. 4

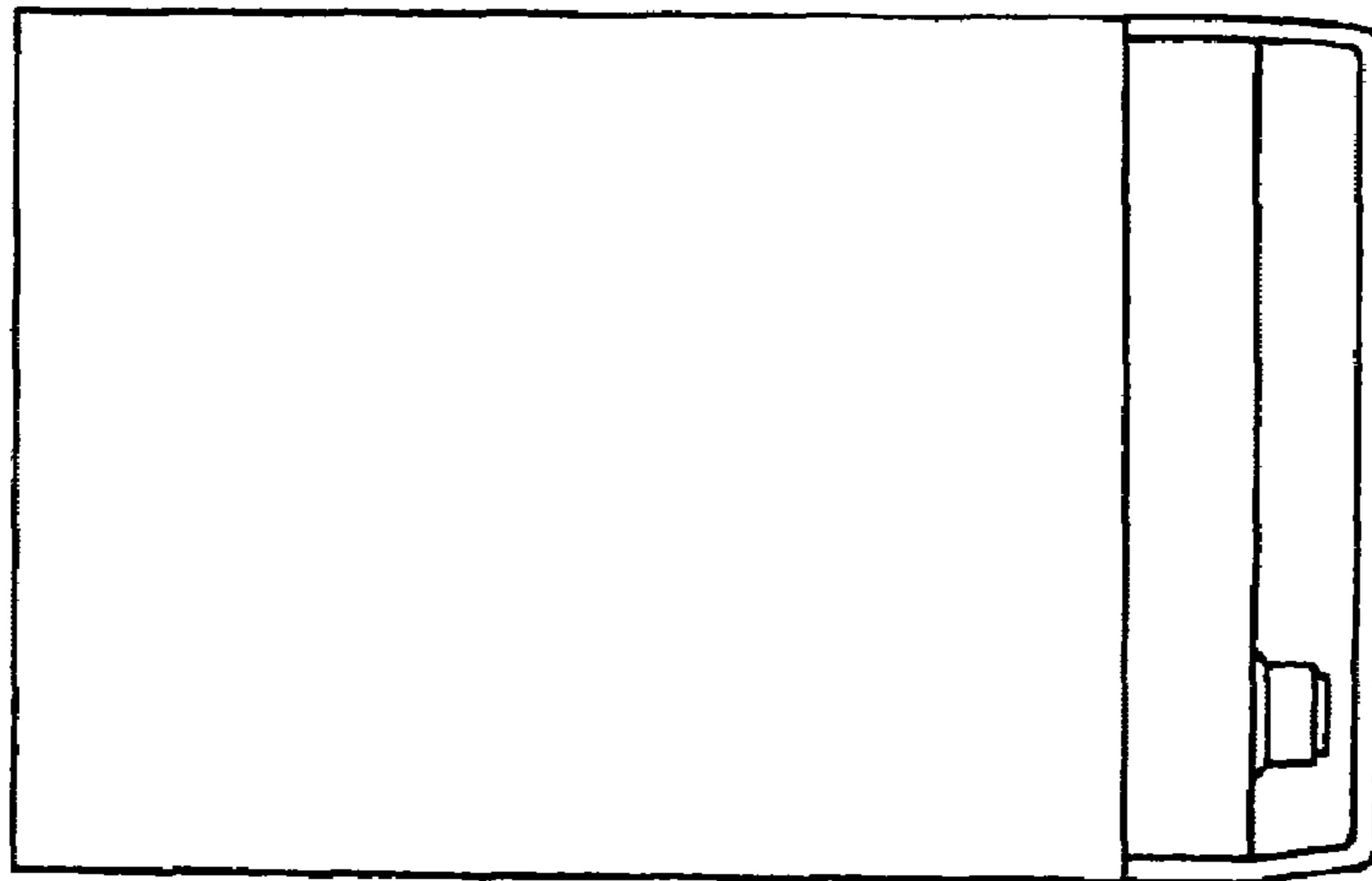


FIG. 5

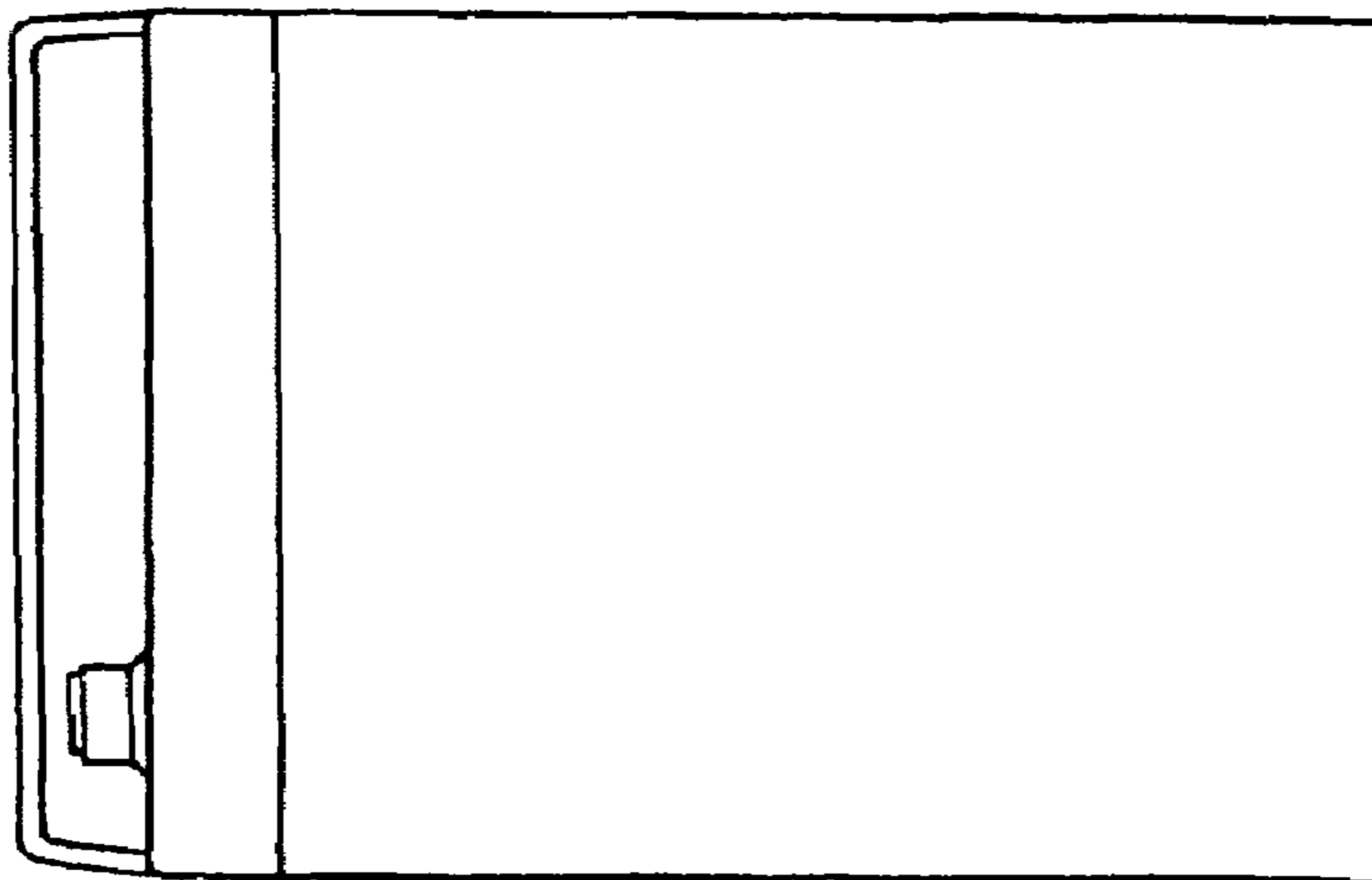


FIG. 6

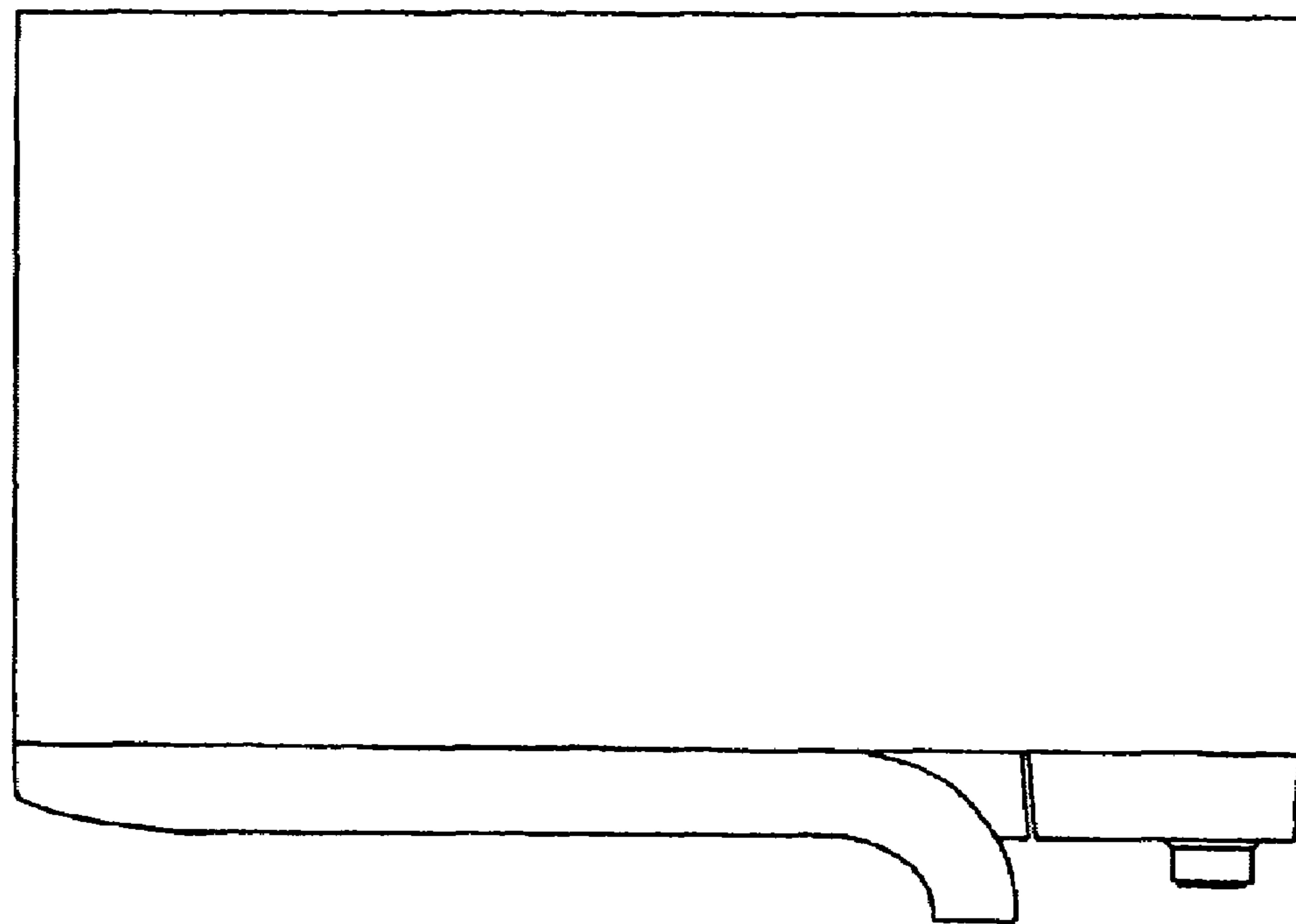


FIG. 7

