



US00D565340S

(12) **United States Design Patent**
Bodum

(10) **Patent No.:** **US D565,340 S**

(45) **Date of Patent:** **** Apr. 1, 2008**

(54) **TEAPOT**

(75) Inventor: **Jørgen Bodum**, St. Niklausen (CH)

(73) Assignee: **Pi-Design AG**, Triengen (CH)

(**) Term: **14 Years**

(21) Appl. No.: **29/279,359**

(22) Filed: **Apr. 27, 2007**

(30) **Foreign Application Priority Data**

Oct. 31, 2006 (DK) DA 2006 00288

(51) **LOC (8) Cl.** **07-01**

(52) **U.S. Cl.** **D7/319; D7/317; D7/321**

(58) **Field of Classification Search** D7/320,
D7/300, 321, 322, 312, 316-319; 99/317,
99/323, 323.3, 285, 321, 279, 297, 319; 220/374,
220/522; 126/348; 100/123; 222/130, 189.07,
222/108, 500, 144.5; 215/12.1, 12.2
See application file for complete search history.

(56) **References Cited**

U.S. PATENT DOCUMENTS

918,674 A * 4/1909 Hathaway 99/317
D288,890 S * 3/1987 Lebowitz D7/322
D343,759 S * 2/1994 Jorgensen D7/318
5,453,189 A * 9/1995 Joergensen 210/238
D381,238 S * 7/1997 Joergensen D7/319
D405,642 S * 2/1999 Toriba D7/319

D409,433 S * 5/1999 Applegate et al. D7/319
D415,648 S * 10/1999 Joergensen D7/317
D426,740 S * 6/2000 Huang D7/318
D450,521 S * 11/2001 Joergensen D7/319
D483,599 S * 12/2003 Huang D7/319
D513,919 S * 1/2006 Bodum D7/319

* cited by examiner

Primary Examiner—Marianne Pandozzi

(74) *Attorney, Agent, or Firm*—Cowan, Liebowitz & Latman, PC

(57) **CLAIM**

The ornamental design for a teapot, as shown and described.

DESCRIPTION

FIG. 1 is a front perspective view of the teapot, showing my design thereof;

FIG. 2 is a front view thereof;

FIG. 3 is a back view thereof;

FIG. 4 is a right side view thereof;

FIG. 5 is a left side view thereof;

FIG. 6 is a top view thereof;

FIG. 7 is a bottom view thereof; and,

FIG. 8 is an enlarged view of the top of the handle connecting to the rim of the teapot with the rest of the teapot removed for ease of illustration.

1 Claim, 8 Drawing Sheets

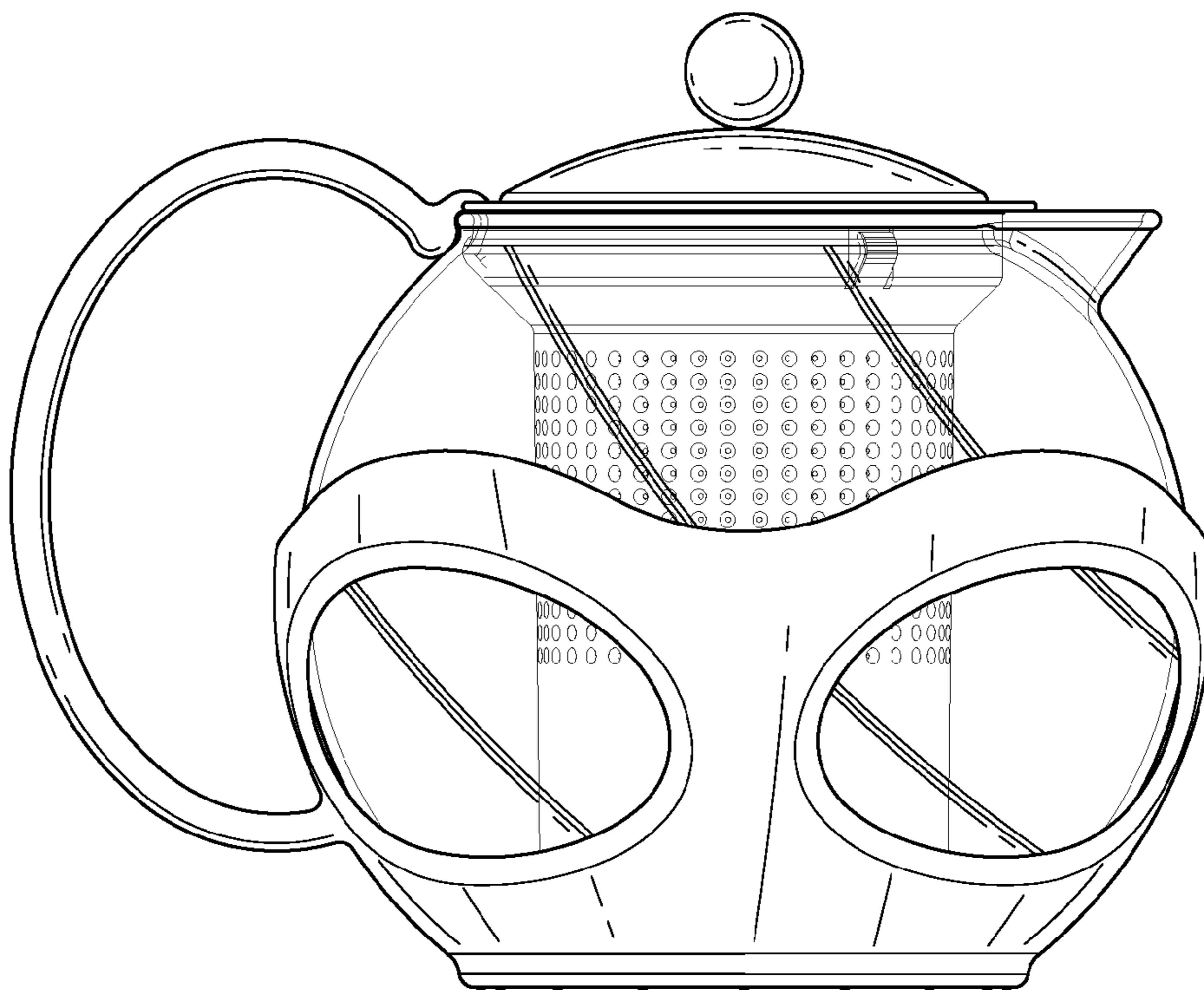


FIG. 8

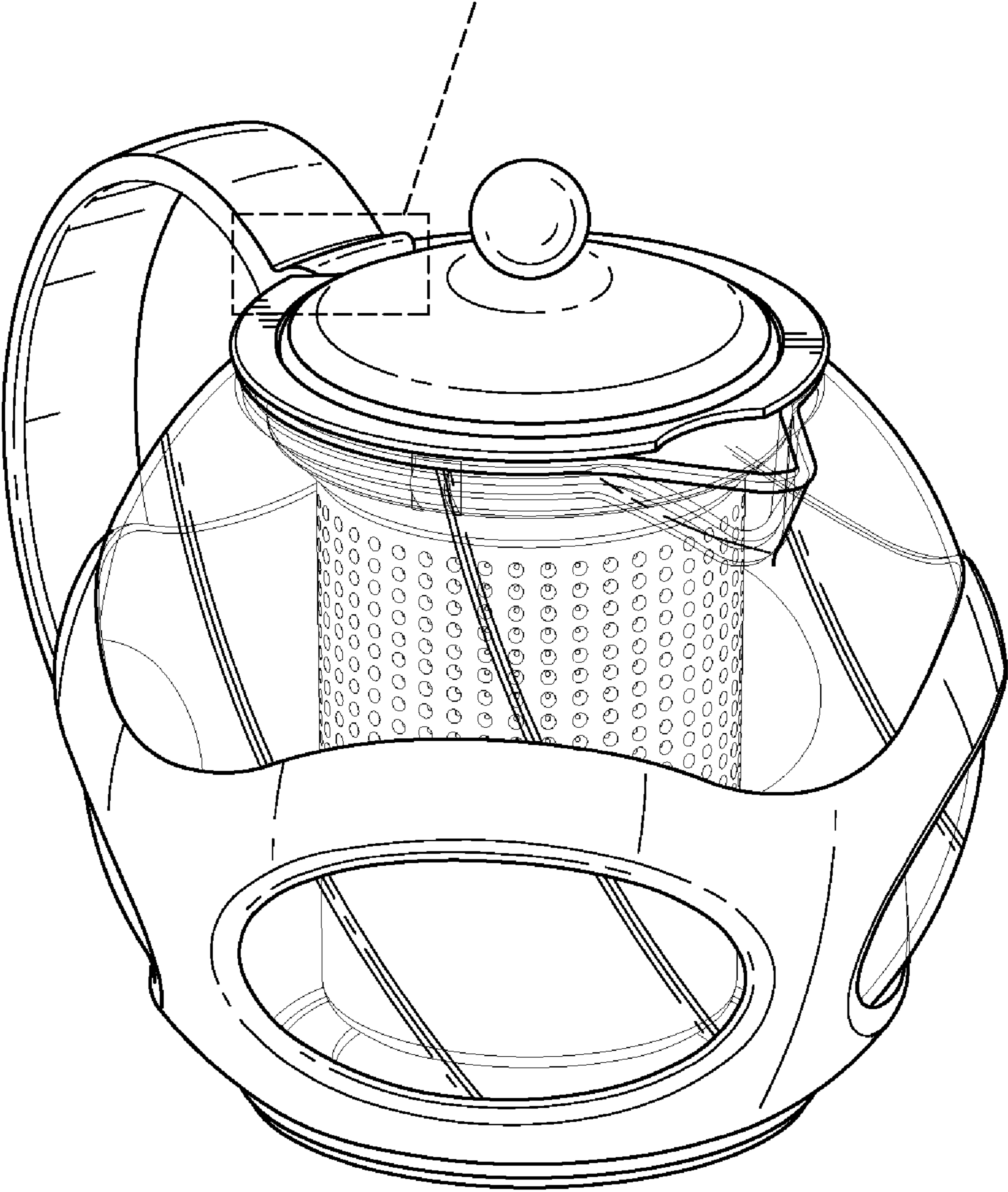


FIG. 1

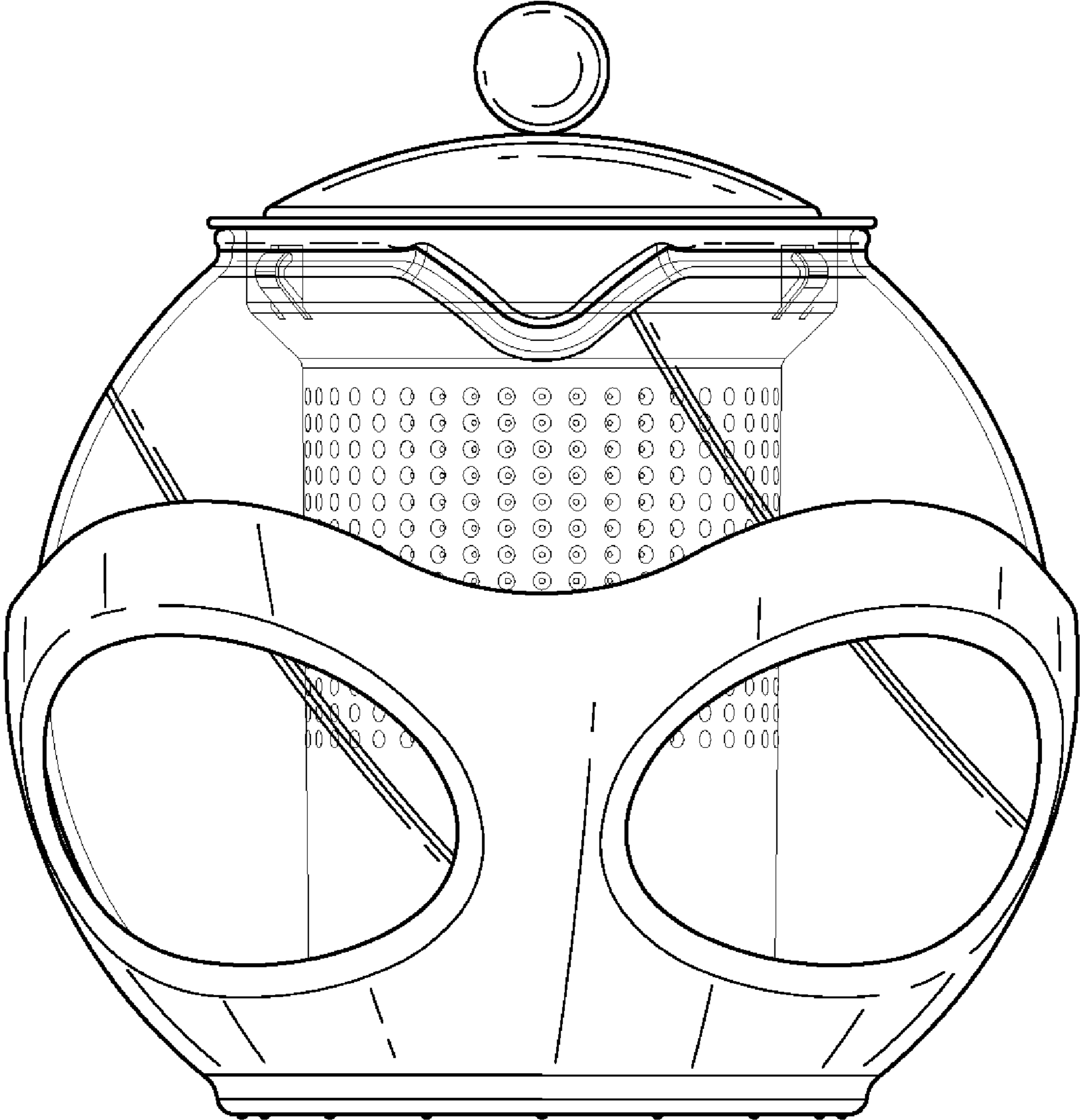


FIG. 2

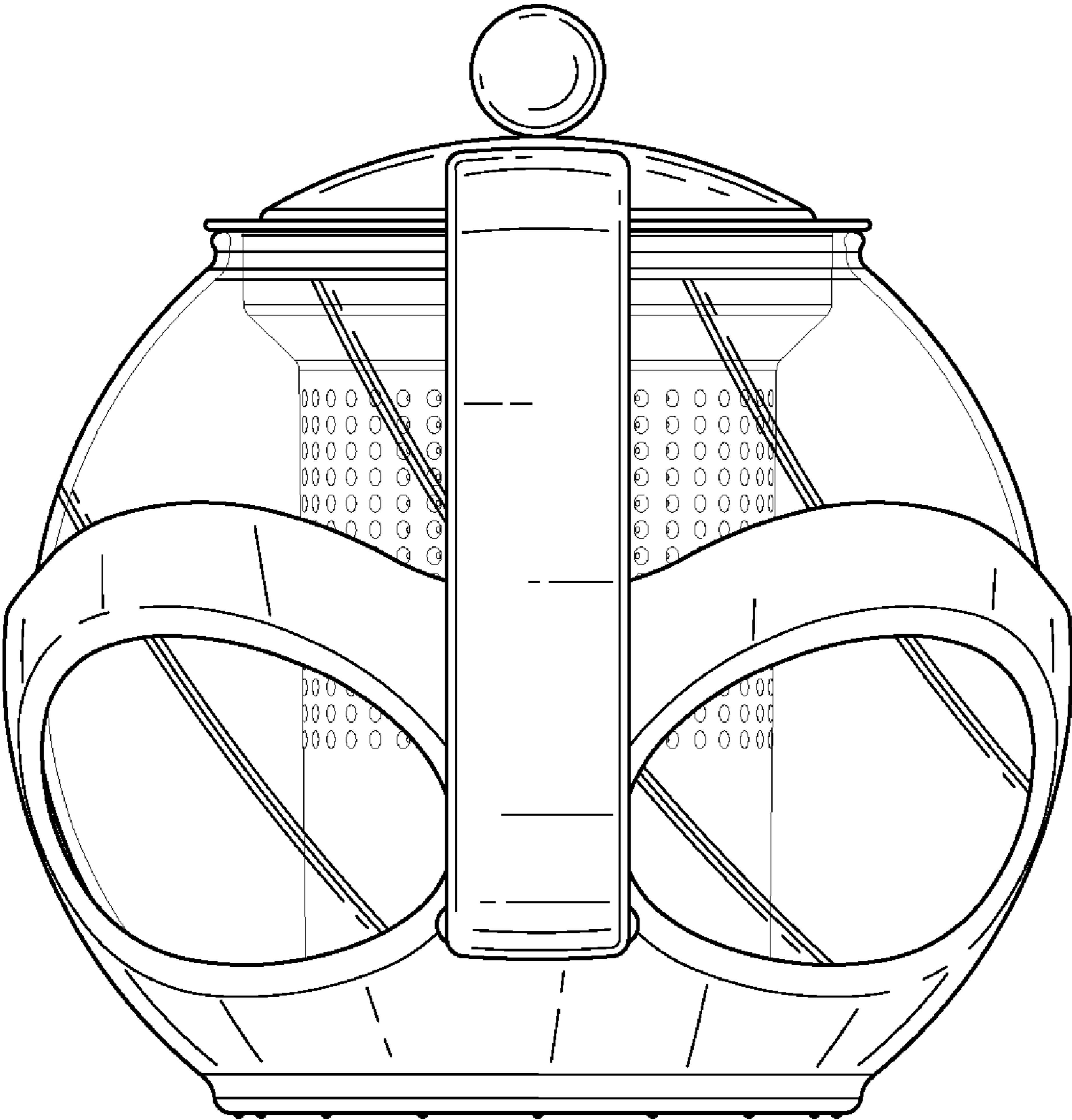


FIG. 3

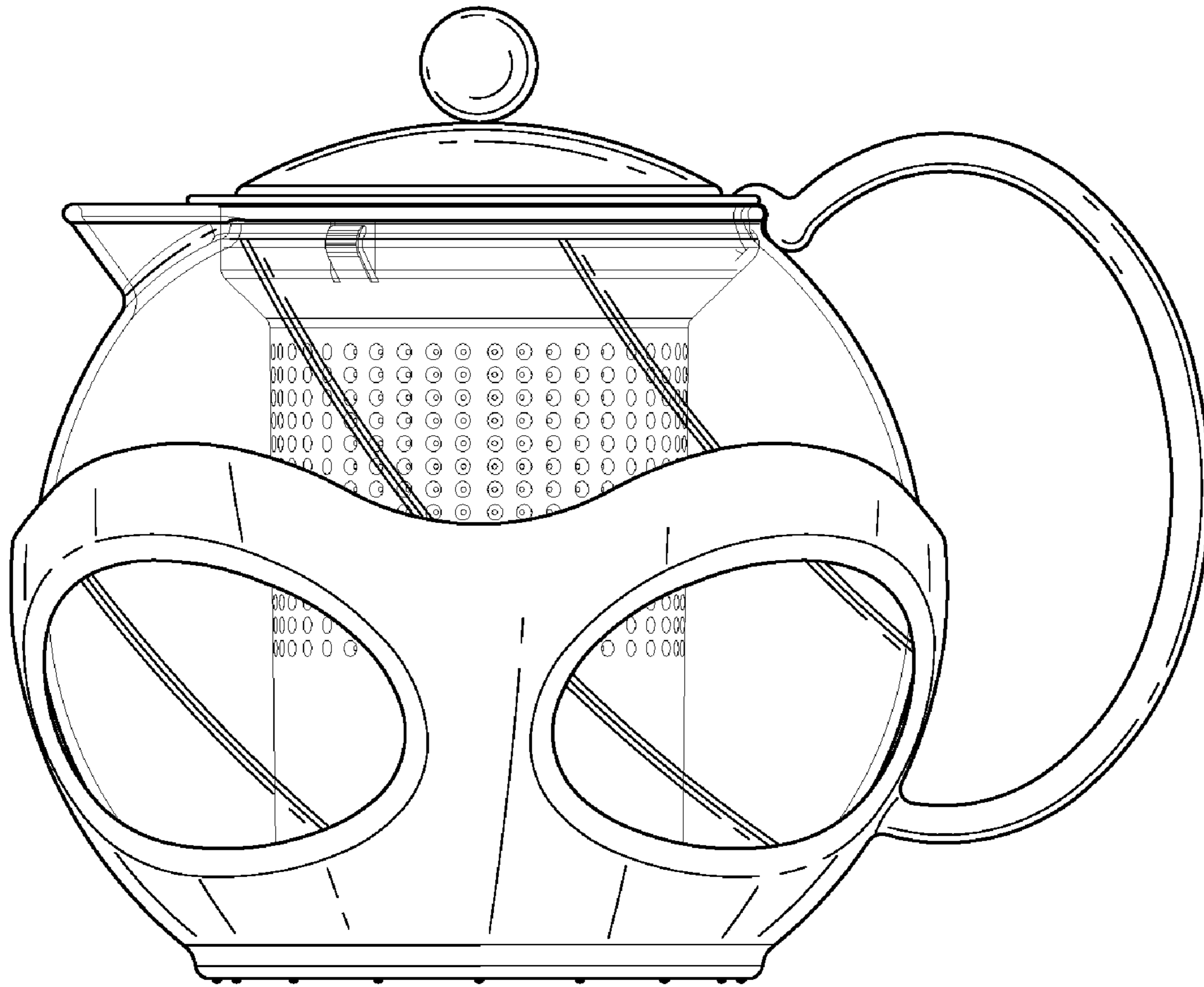


FIG. 4

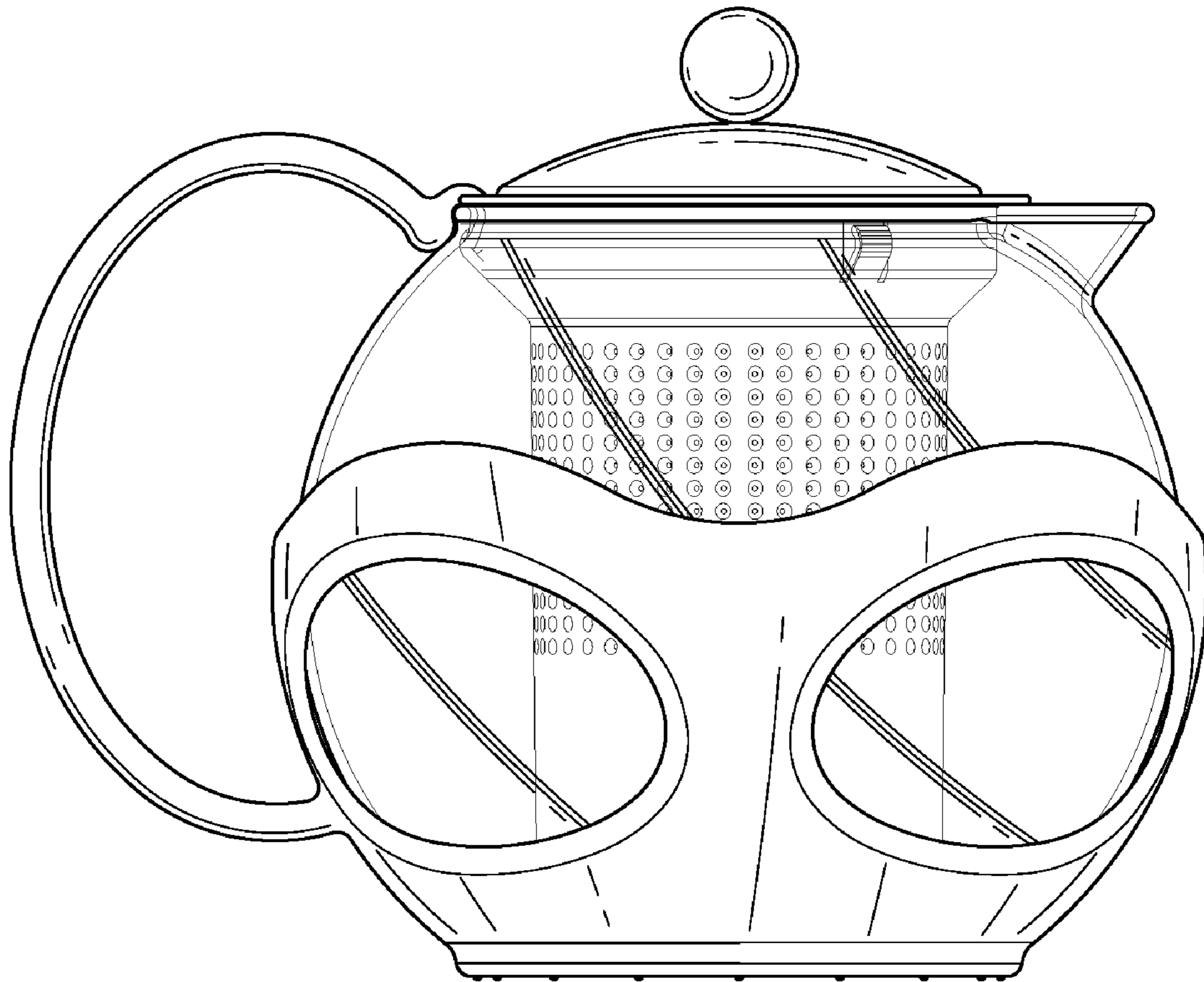


FIG. 5

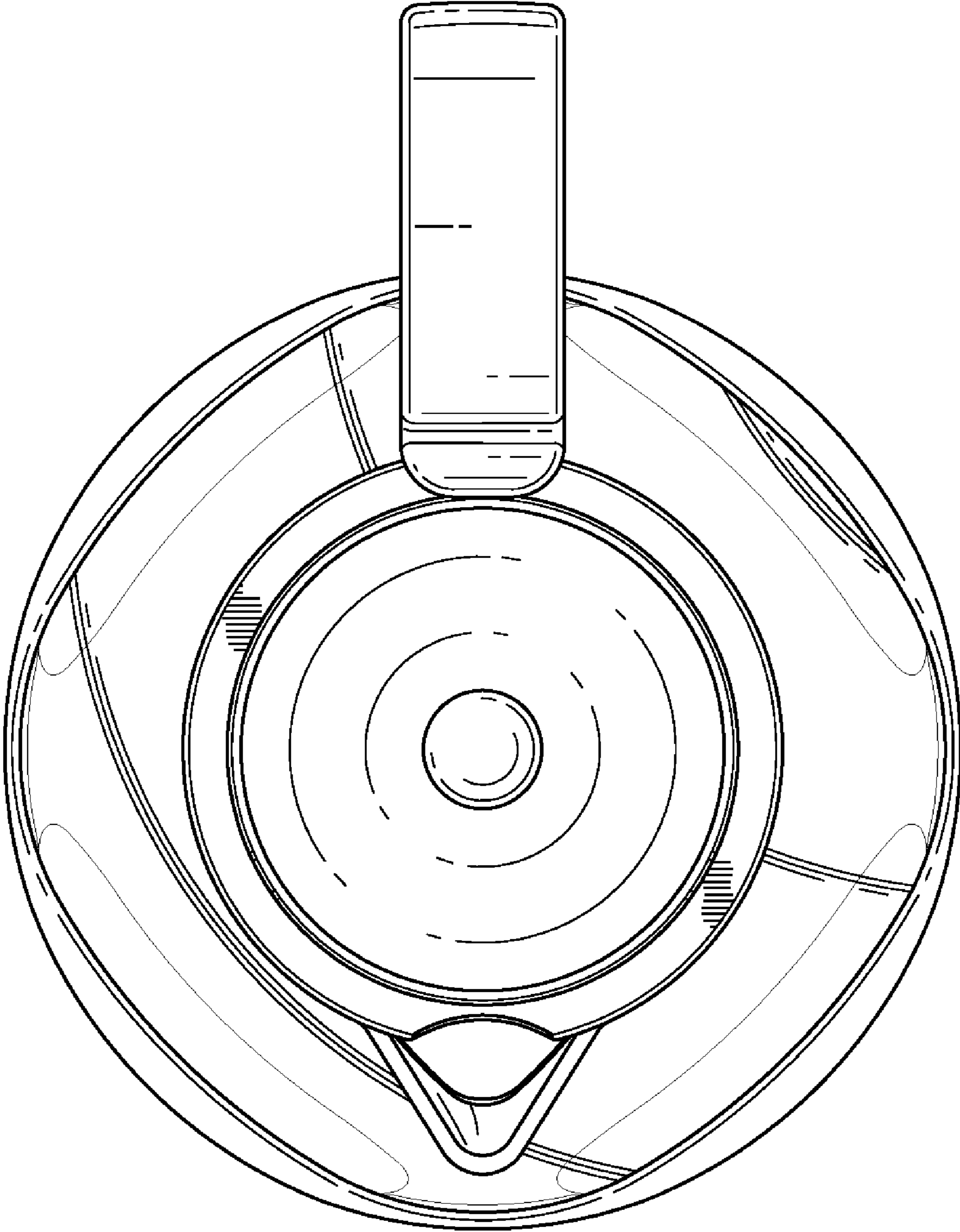


FIG. 6

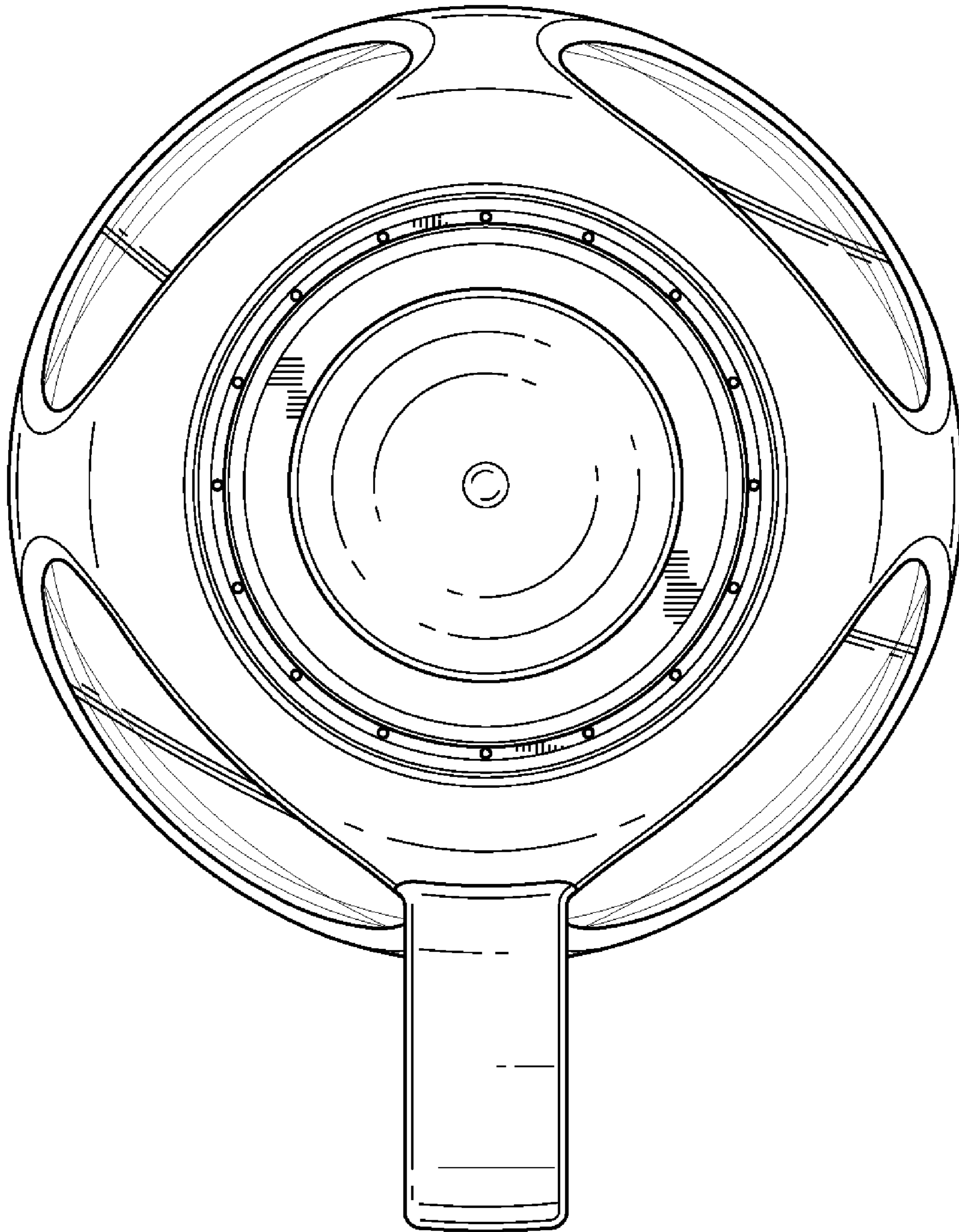


FIG. 7

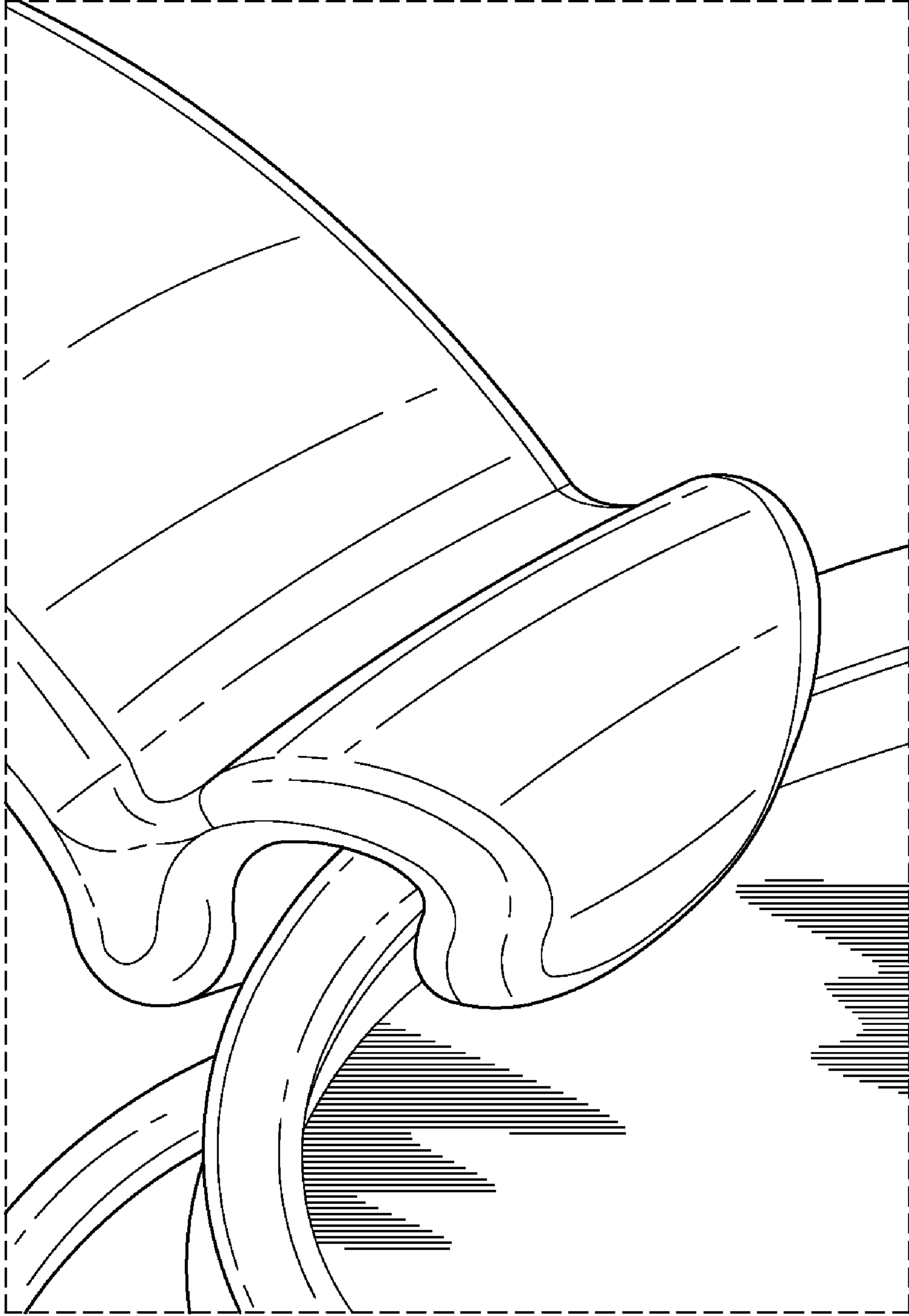


FIG. 8