



US00D565331S

(12) **United States Design Patent**
Miller

(10) **Patent No.:** **US D565,331 S**

(45) **Date of Patent:** **** Apr. 1, 2008**

(54) **TABLE**

(75) Inventor: **Robert Miller**, Seattle, WA (US)

(73) Assignee: **Bohlin Cywinski Jackson**, Seattle, WA (US)

(**) Term: **14 Years**

(21) Appl. No.: **29/243,358**

(22) Filed: **Nov. 23, 2005**

(51) **LOC (8) Cl.** **06-03**

(52) **U.S. Cl.** **D6/485**

(58) **Field of Classification Search** D6/480-489,
D6/495, 429, 337; 312/259; 297/157.11,
297/158.3, 158.4; 108/157.14, 157.16, 157.18,
108/153.1, 155, 157.1, 161

See application file for complete search history.

(56) **References Cited**

U.S. PATENT DOCUMENTS

D260,712 S * 9/1981 Potucek D6/483
D330,475 S * 10/1992 Bennett D6/485

D398,453 S * 9/1998 Stead D6/349
D463,166 S * 9/2002 Russell et al. D6/485
6,807,912 B2 * 10/2004 Willy 108/157.14

* cited by examiner

Primary Examiner—Janice E. Seeger

(74) *Attorney, Agent, or Firm*—Ladas and Parry LLP

(57) **CLAIM**

I claim the ornamental design for a table, as shown.

DESCRIPTION

FIG. 1 is a front/top/right-side perspective view of a table showing my new design;

FIG. 2 is an exploded perspective view thereof;

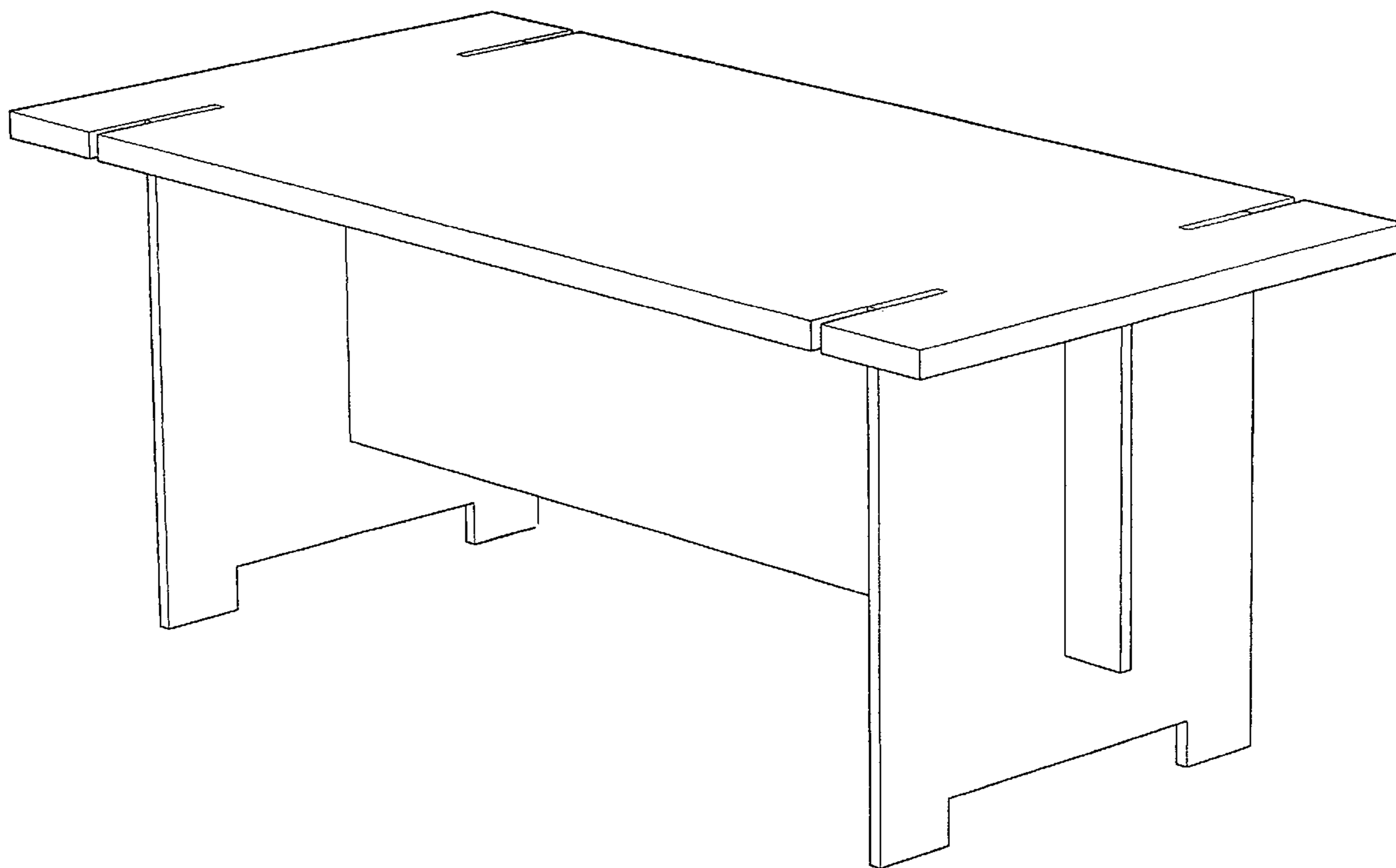
FIG. 3 is a front/top/right-side perspective view of a second embodiment of my new design;

FIG. 4 is an exploded perspective view thereof;

FIG. 5 is a front/top/right-side perspective view of a third embodiment of my new design; and,

FIG. 6 is an exploded perspective view thereof.

1 Claim, 6 Drawing Sheets



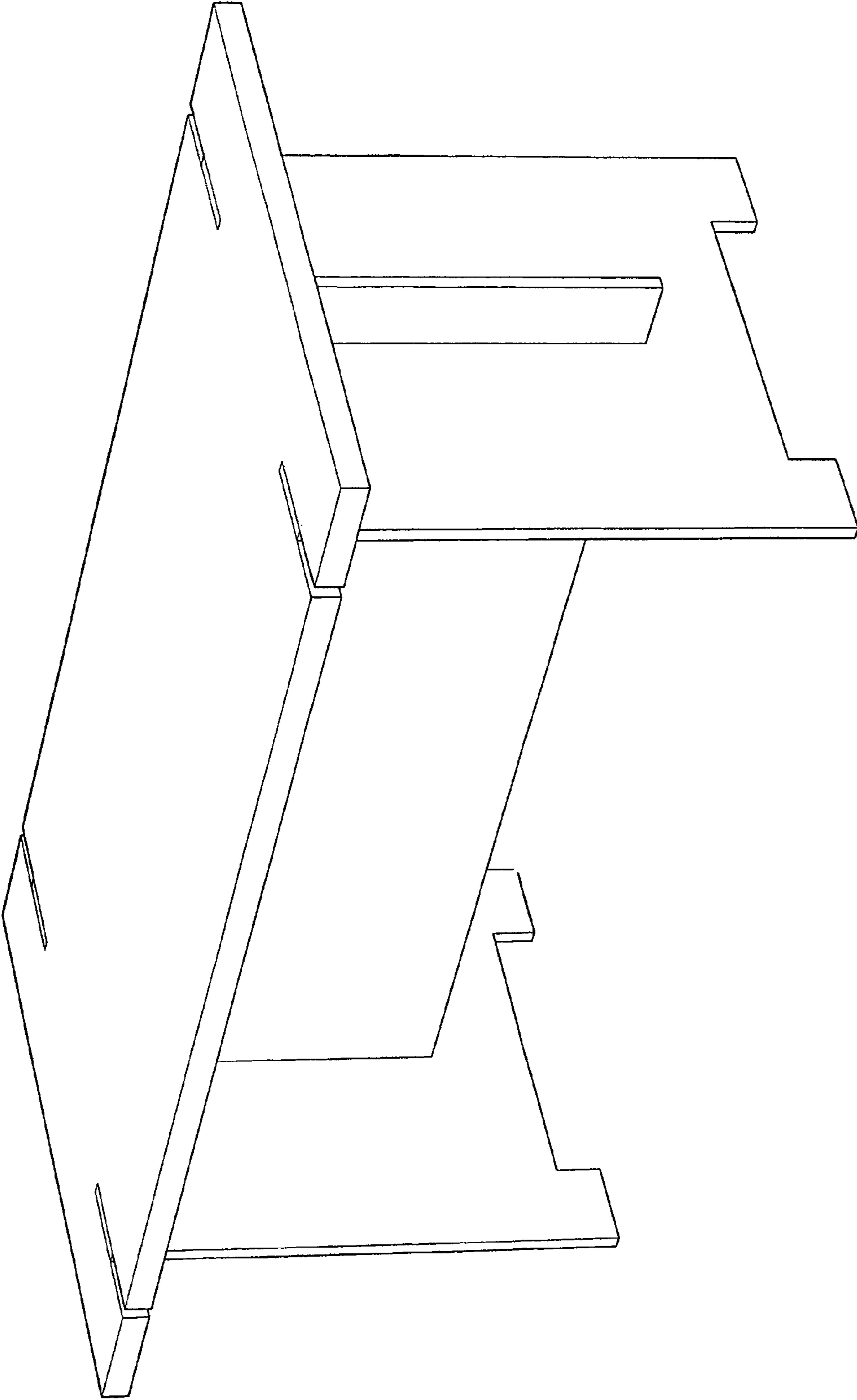


FIG. 1

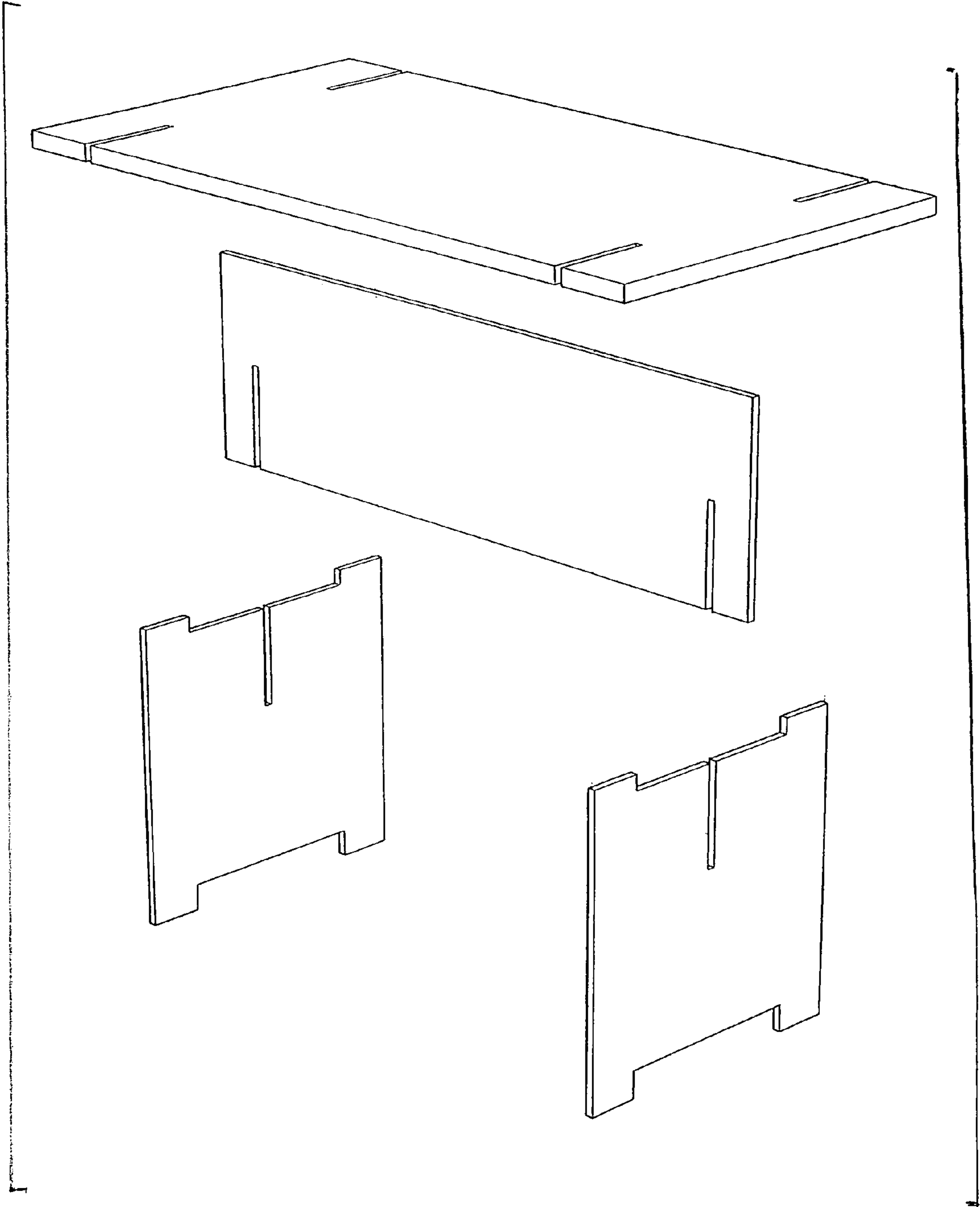


FIG. 2

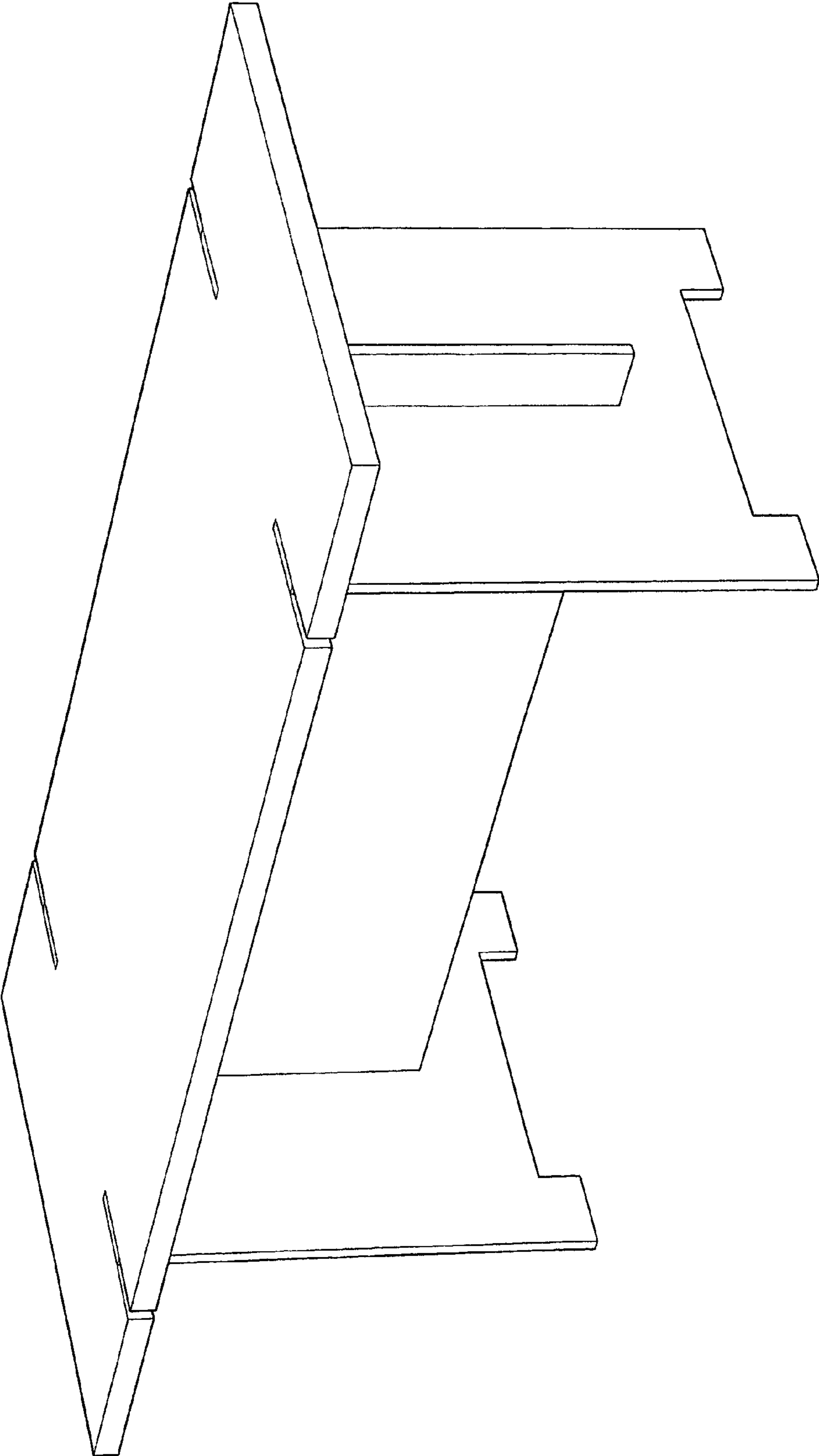


FIG. 3

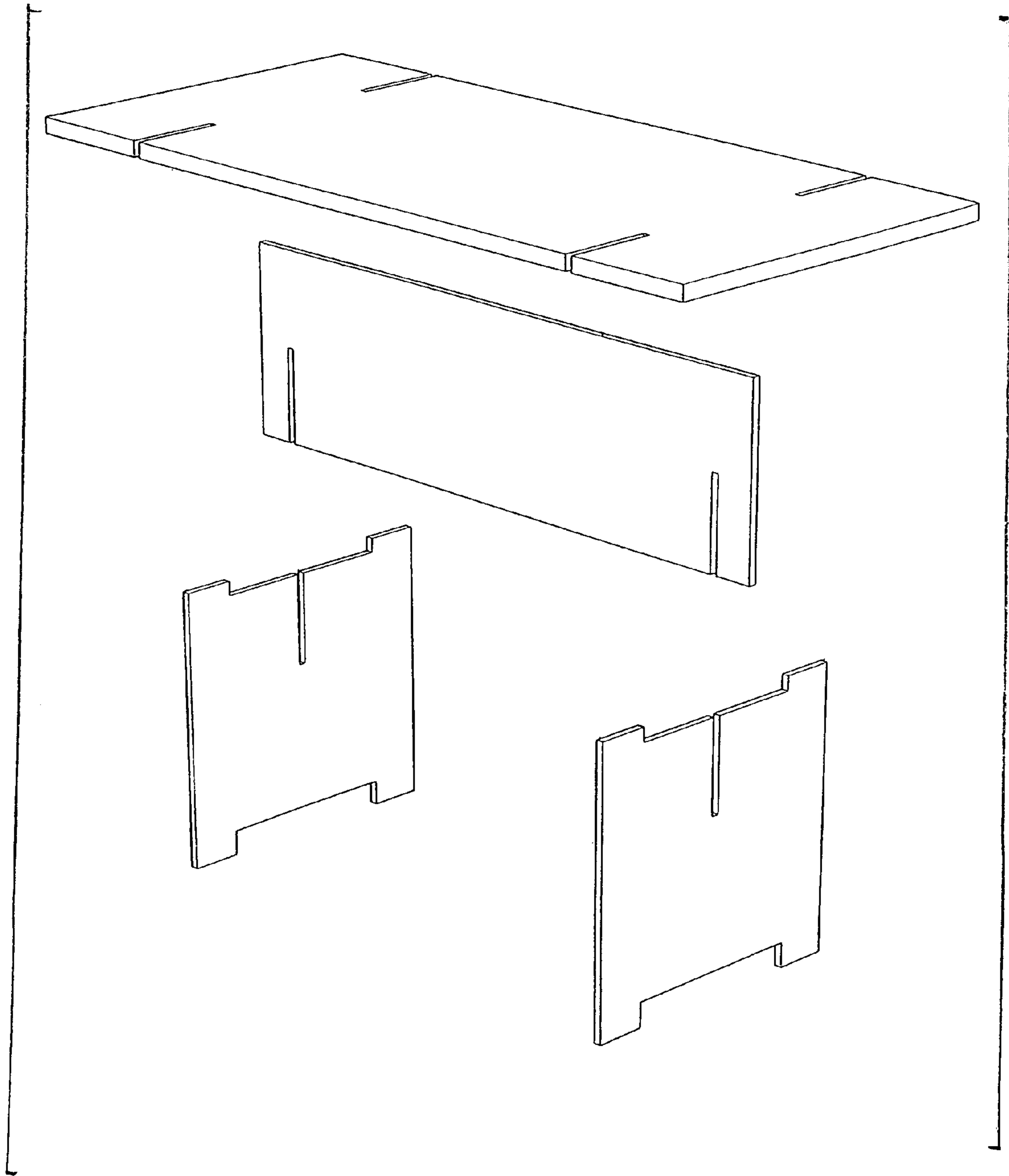


FIG. 4

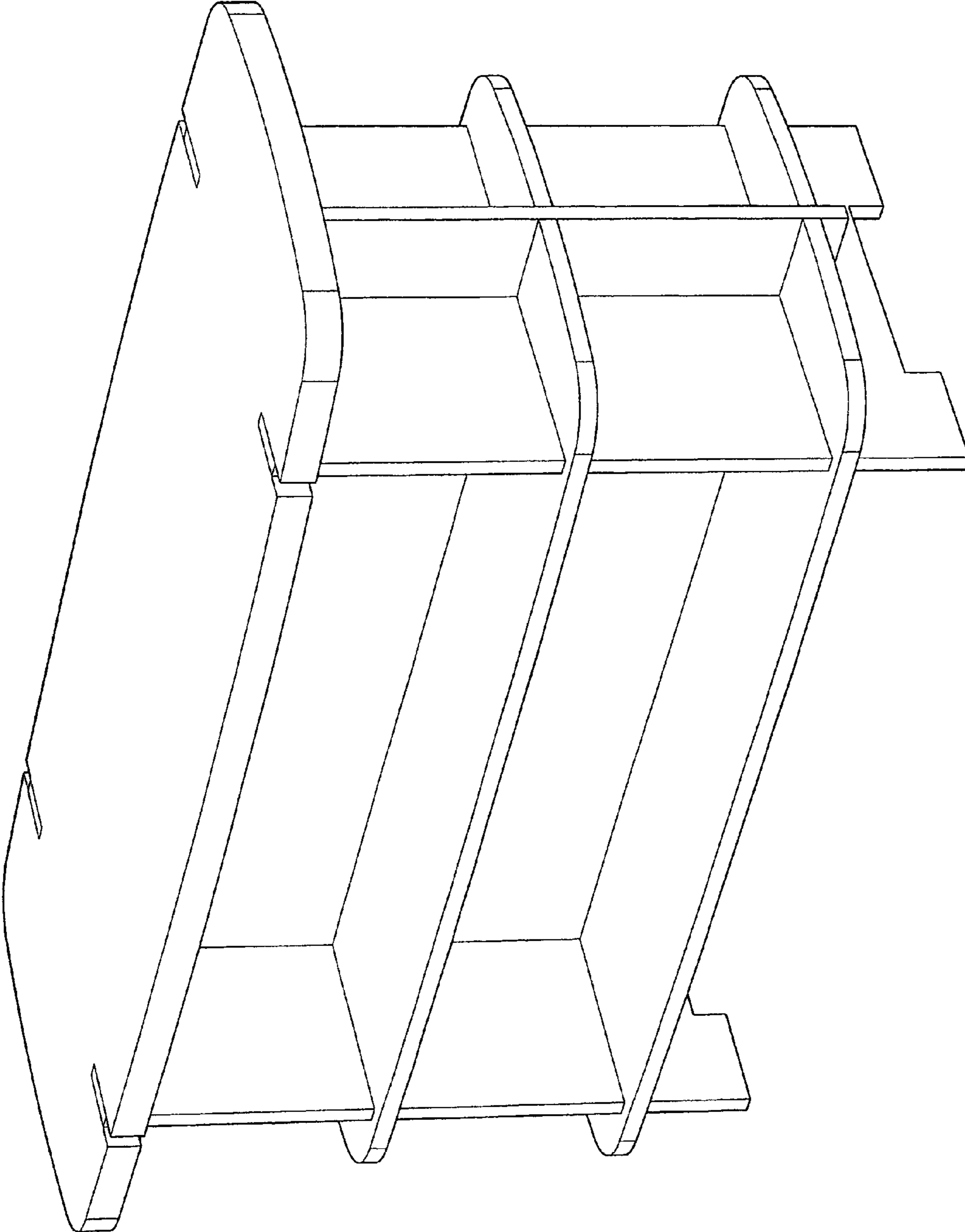


FIG. 5

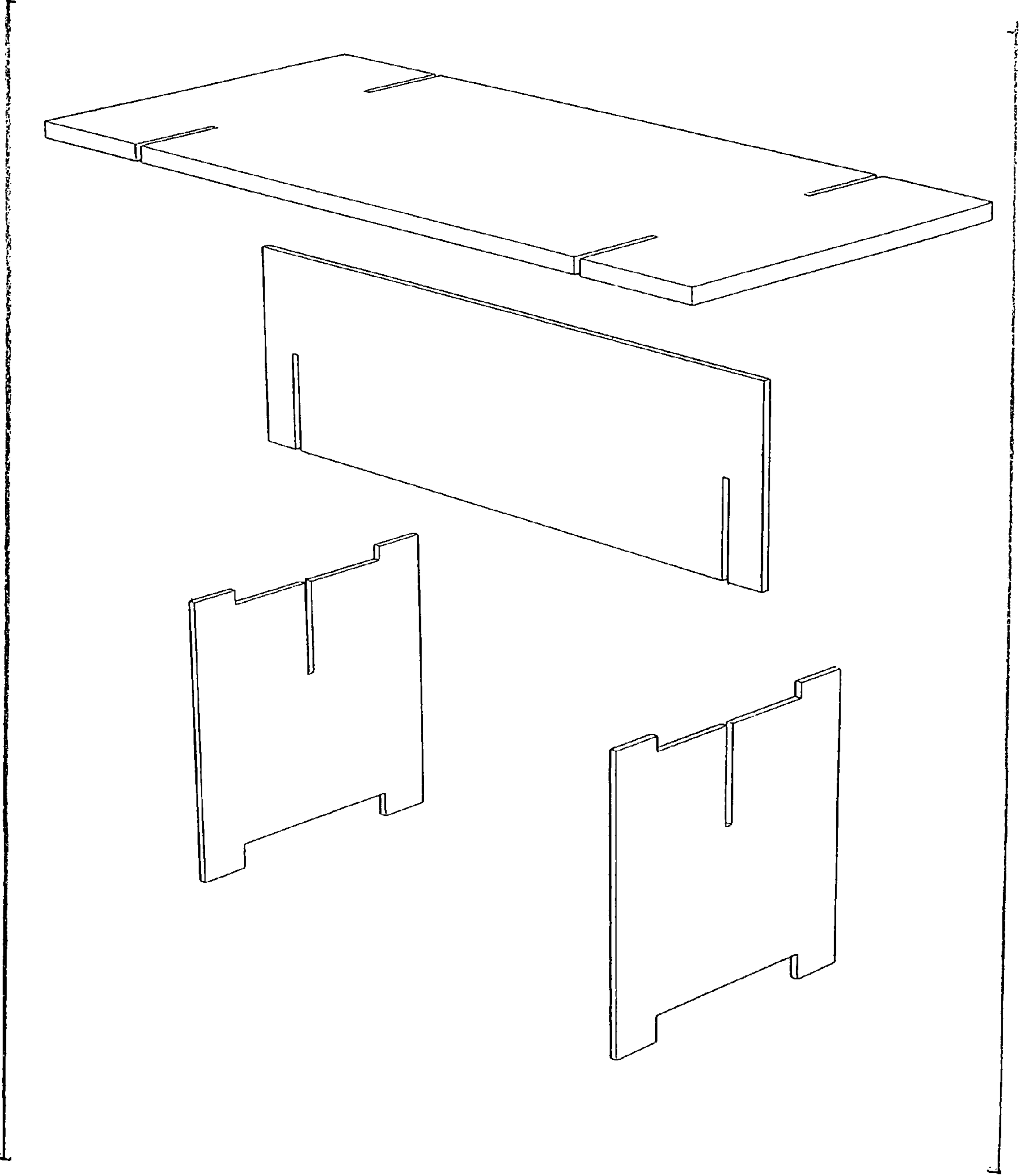


FIG. 6