

US00D565329S

(12) **United States Design Patent** (10) **Patent No.:** **US D565,329 S**
Domack et al. (45) **Date of Patent:** **** Apr. 1, 2008**

(54) **DINING TABLE**

(75) Inventors: **Randy D. Domack**, Trempealeau, WI (US); **Terry A. Everson**, Blair, WI (US)

(73) Assignee: **Ashley Furniture Industries, Inc.**, Arcadia, WI (US)

(**) Term: **14 Years**

(21) Appl. No.: **29/266,275**

(22) Filed: **Sep. 18, 2006**

(51) **LOC (8) Cl.** **06-03**

(52) **U.S. Cl.** **D6/480**

(58) **Field of Classification Search** D6/480-489,
D6/495-499, 511, 477; 108/150, 151, 153.1,
108/155, 156, 157.1, 161; 248/188, 188.1,
248/188.7, 188.8

See application file for complete search history.

(56) **References Cited**

U.S. PATENT DOCUMENTS

- D133,624 S * 9/1942 Hollander D6/480
- D353,286 S * 12/1994 Hand D6/480
- D463,164 S * 9/2002 Davis D6/480
- D486,329 S * 2/2004 Strong et al. D6/487
- D501,103 S * 1/2005 Ashby et al. D6/480

OTHER PUBLICATIONS

Ashley Catalog Photograph, "Newhouse", D208-15-01-74, vol. 7, Series 1, Spring 2005, p. 208.

Ashley Catalog Photograph, "Carlyle", D371-35-01(6)-60-61, vol. 7, Series 1, Spring 2005, p. 166.

Ashley Catalog Photograph, "Carlyle", D371-32-224(4), vol. 7, Series 1, Spring 2005, p. 166.

Image of "Newhouse", D208-25-01(4)-74, Same as depicted in Ashley Catalogue vol. 7, Series 1, Spring 2005, p. 208.

* cited by examiner

Primary Examiner—Janice E. Seeger

(74) *Attorney, Agent, or Firm*—Patterson, Thuente, Skaar & Christensen, P.A.

(57) **CLAIM**

We claim the ornamental design for a dining table, as shown and described.

DESCRIPTION

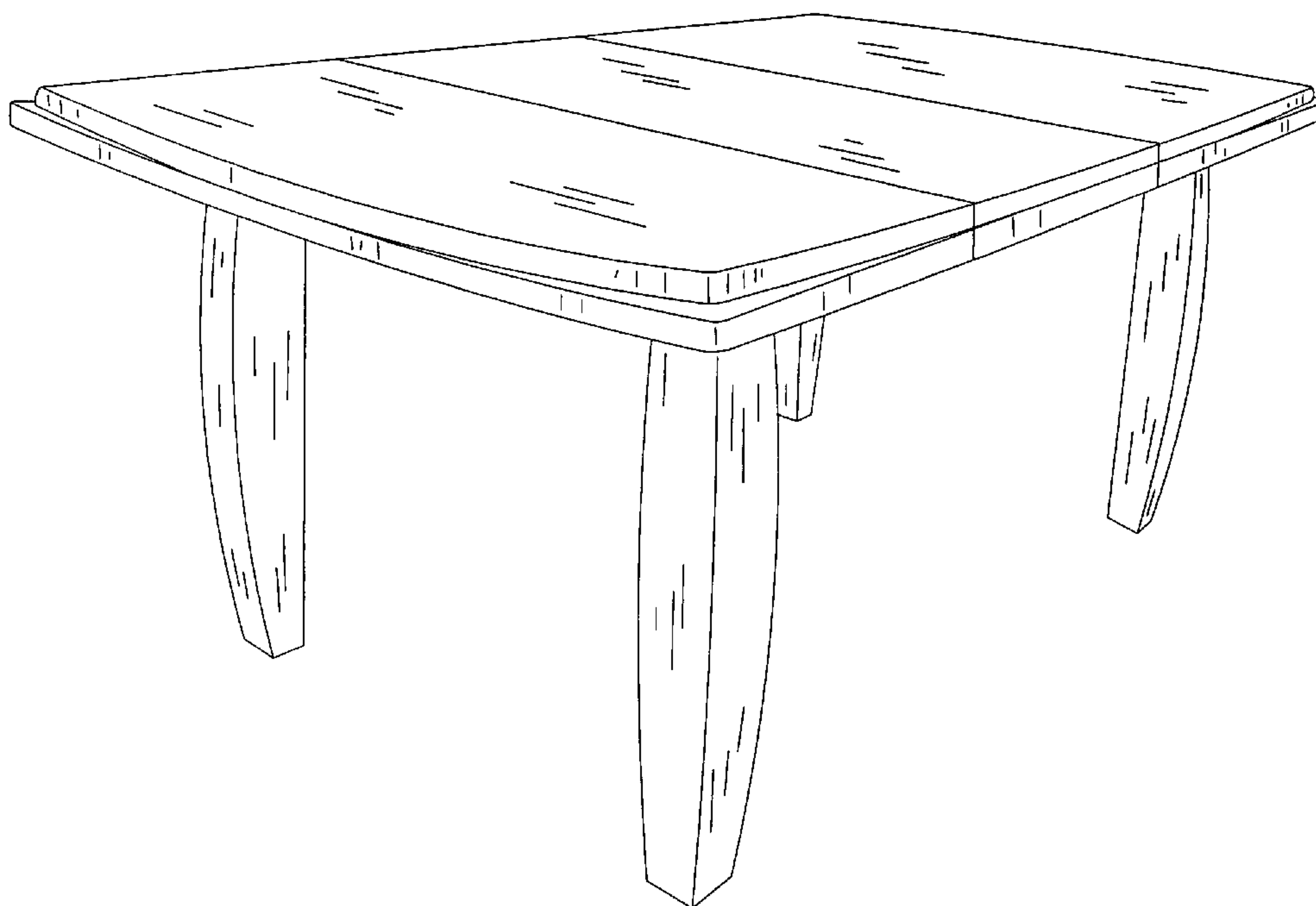
FIG. 1 is a perspective view of a dining table according to an embodiment of the invention.

FIG. 2 is an overhead view of a dining table according to an embodiment of the invention.

FIG. 3 is a side view of a dining table according to an embodiment of the invention, the view from the opposite side being a mirror-image thereof; and,

FIG. 4 is an end view of a dining table according to an embodiment of the invention, the view from the opposite end being a mirror-image thereof.

1 Claim, 3 Drawing Sheets



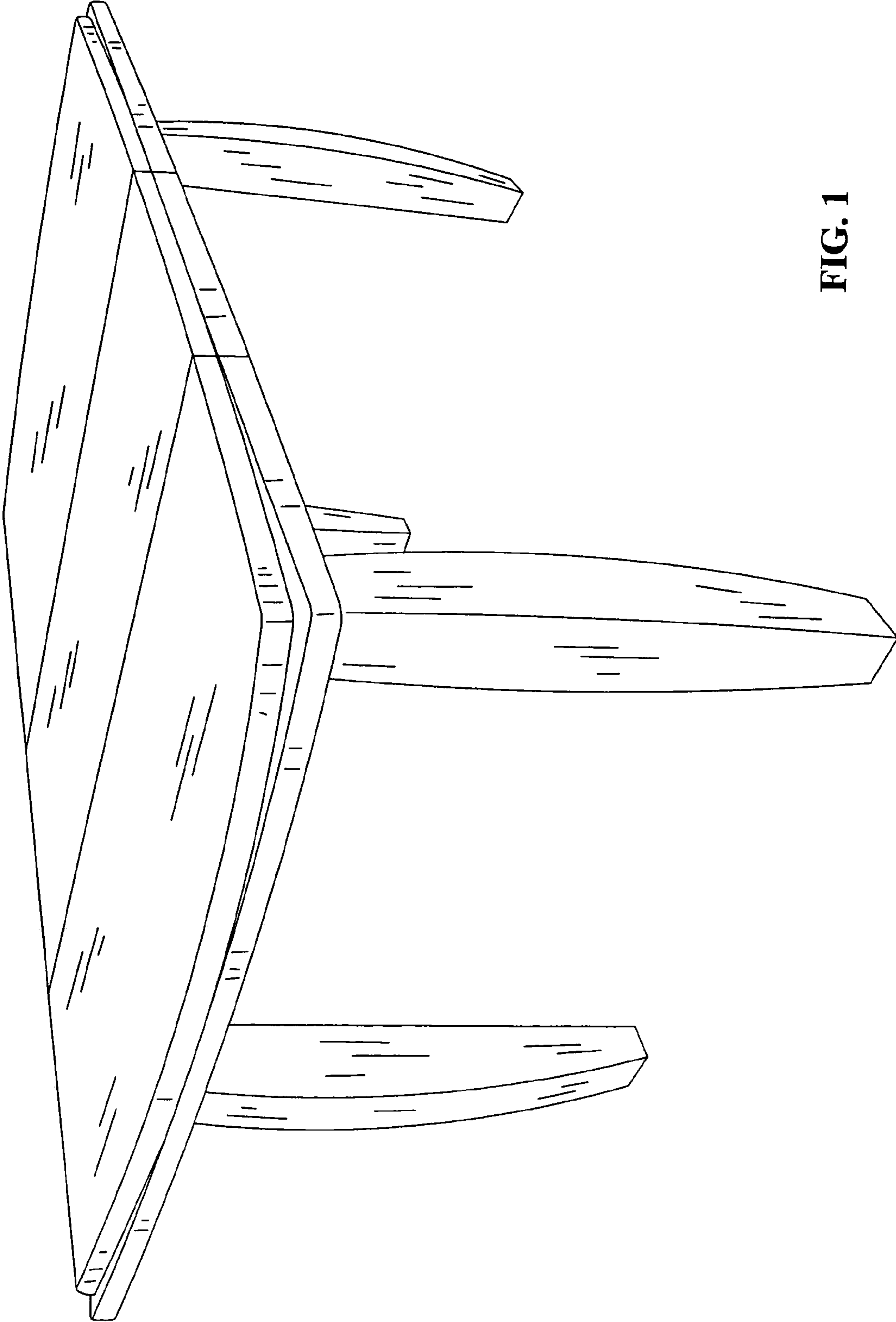


FIG. 1

FIG. 2

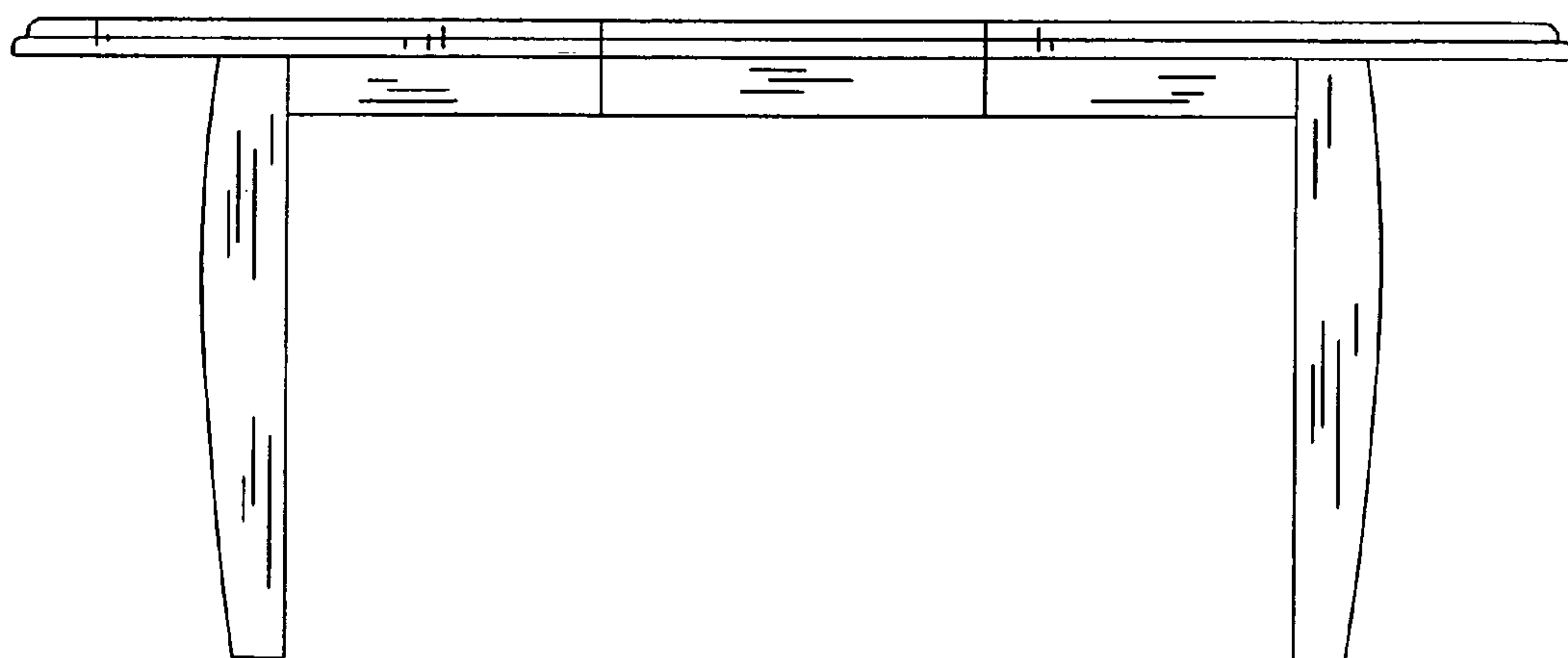
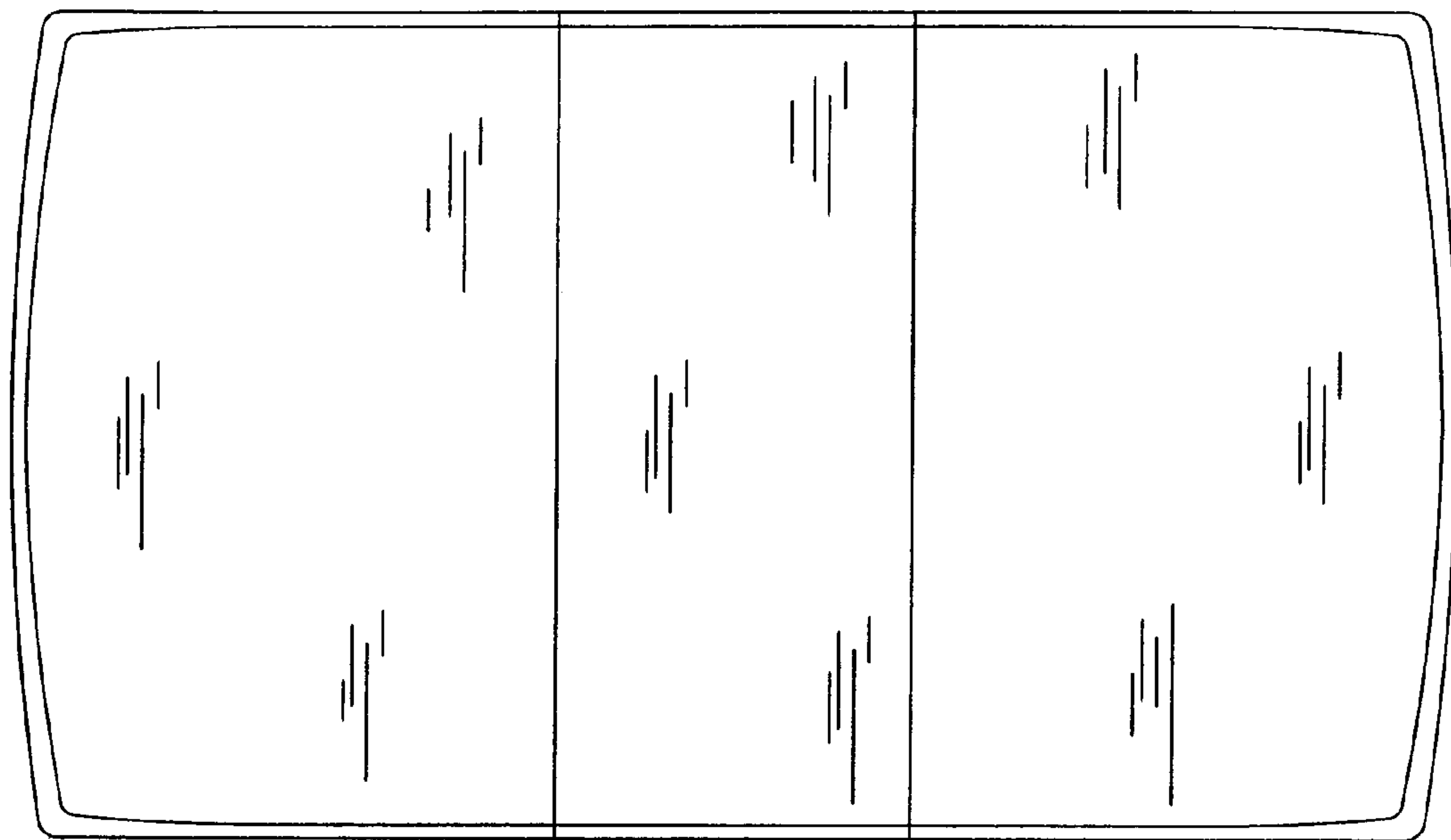


FIG. 3

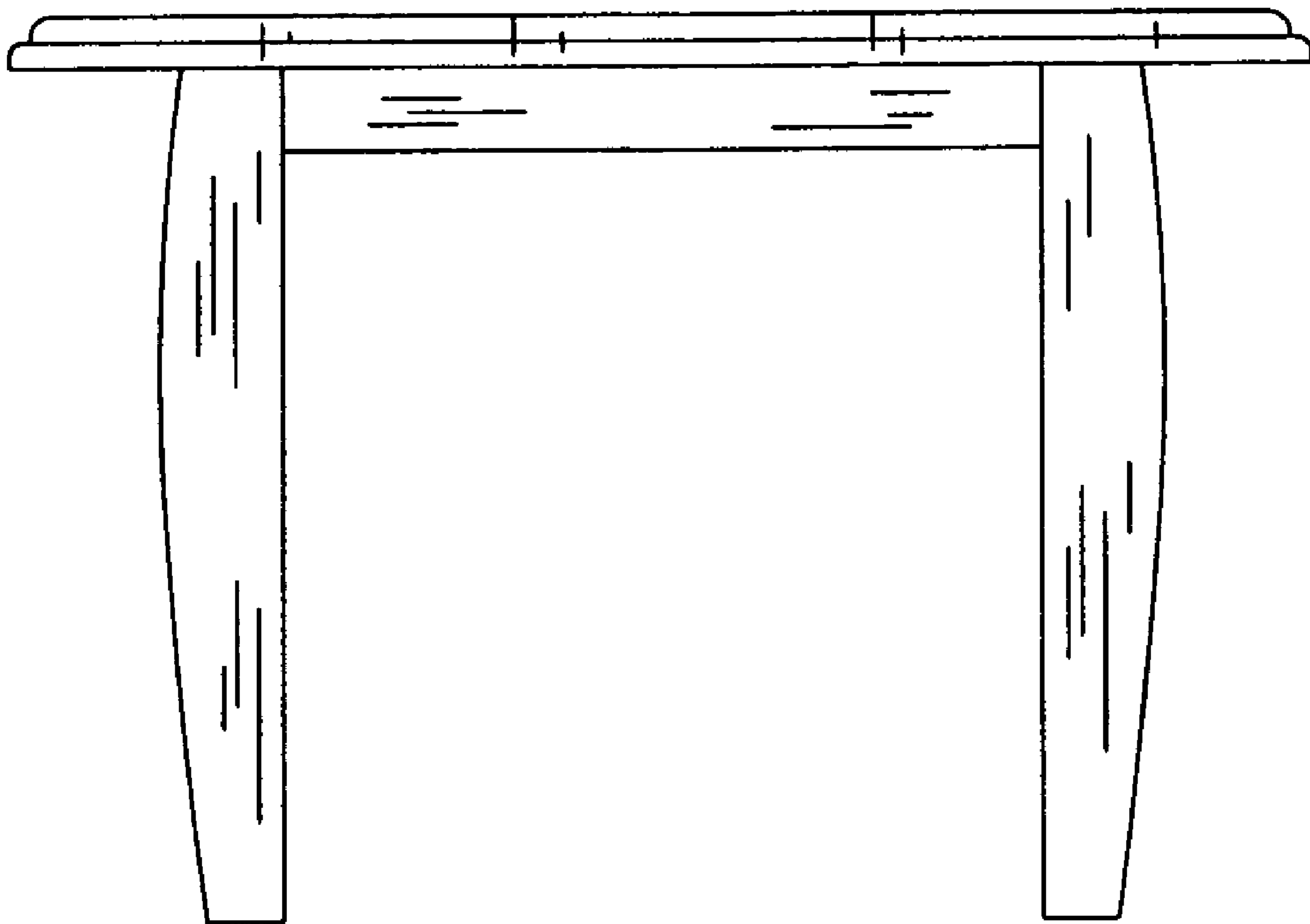


FIG. 4