



US00D565327S

(12) **United States Design Patent**
Gharabegian

(10) **Patent No.:** **US D565,327 S**

(45) **Date of Patent:** **** Apr. 1, 2008**

(54) **L-SHAPED DISPLAY BOOTH**

(57) **CLAIM**

(75) **Inventor:** **Armen Sevada Gharabegian,**
Glendale, CA (US)

The ornamental design for a L-shaped display booth, as shown and described.

(73) **Assignee:** **Ethos Design,** Glendale, CA (US)

DESCRIPTION

(**) **Term:** **14 Years**

FIG. 1 is a right perspective view of a L-shaped display booth showing a new design;

(21) **Appl. No.:** **29/288,653**

FIG. 2 is a lower perspective view of the L-shaped display booth showing the new design;

(22) **Filed:** **Jun. 19, 2007**

FIG. 3 is a right 3/4 view of the L-shaped display booth showing the new design;

(51) **LOC (8) Cl.** **06-04**

FIG. 4 is a left 3/4 view of the L-shaped display booth showing the new design;

(52) **U.S. Cl.** **D6/477**

FIG. 5 is a back right 3/4 view of the L-shaped display booth showing the new design;

(58) **Field of Classification Search** D6/477-479,
D6/460-461, 468, 474, 407; D14/239, 129,
D14/126; 108/59, 96, 91-92; 211/40, 41.12,
211/42, 49.1, 50, 85.2; 312/9.1, 9.2, 46,
312/9.64, 9.8, 7.2

FIG. 6 is a back left 3/4 view of the L-shaped display booth showing the new design;

See application file for complete search history.

FIG. 7 is a front view of the L-shaped display booth showing the new design;

(56) **References Cited**

U.S. PATENT DOCUMENTS

FIG. 8 is a left side view of the L-shaped display booth showing the new design;

D294,090 S *	2/1988	Robertson	D6/478
D373,262 S *	9/1996	Luong et al.	D6/423
D464,503 S *	10/2002	Novikoff	D6/426
D474,355 S *	5/2003	Sexton	D6/484
D506,887 S *	7/2005	McDiarmid	D6/480
D527,550 S *	9/2006	Sexton	D6/480

FIG. 9 is a back view of the L-shaped display booth showing the new design;

* cited by examiner

FIG. 10 is a right side view of the L-shaped display booth showing the new design;

Primary Examiner—Elizabeth A. Albert

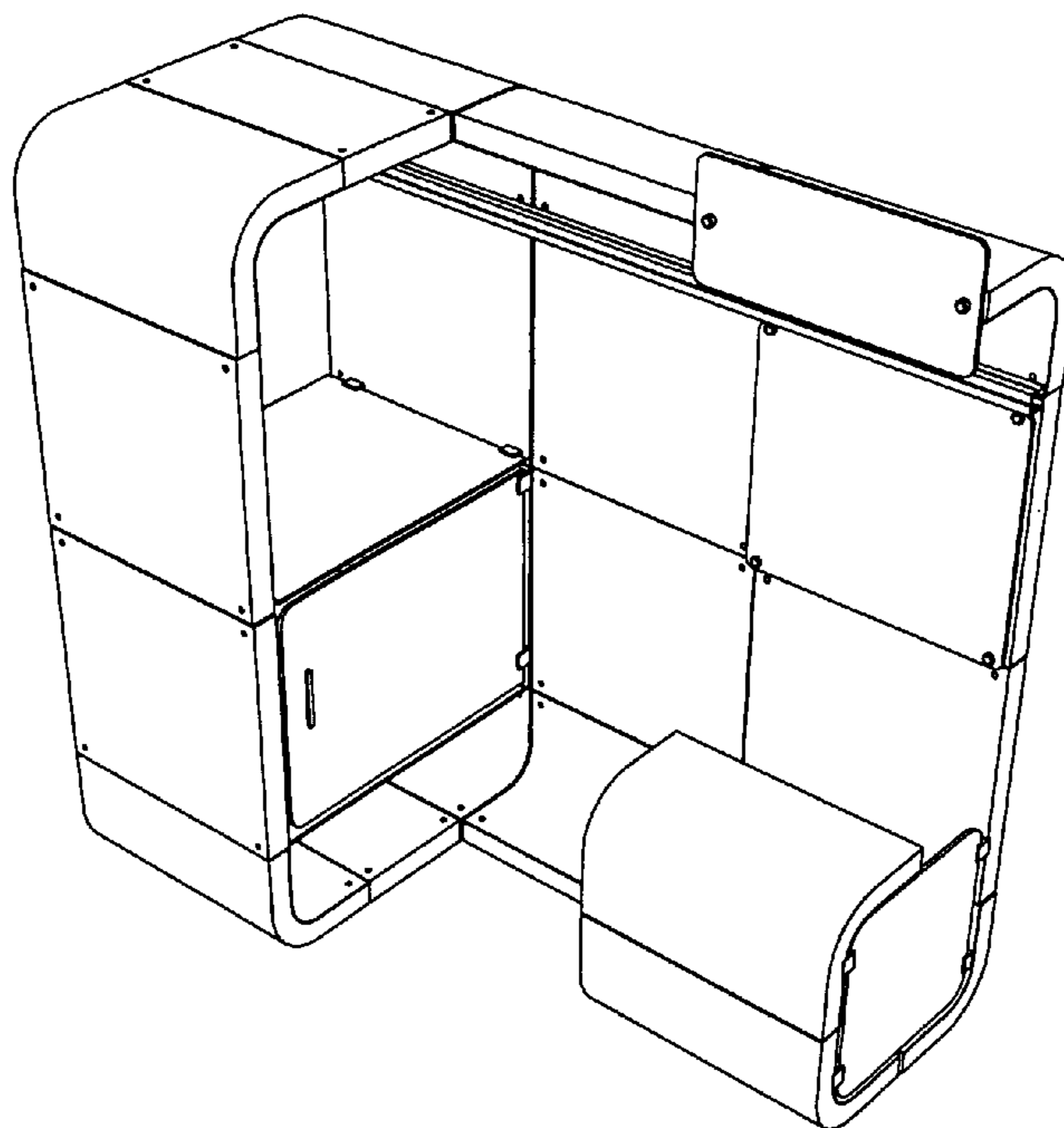
Assistant Examiner—Kelley A. Donnelly

FIG. 11 is a top view of the L-shaped display booth showing the new design; and,

(74) *Attorney, Agent, or Firm*—Pillsbury Winthrop Shaw Pittman LLP

FIG. 12 is a bottom view of the L-shaped display booth showing the new design.

1 Claim, 4 Drawing Sheets



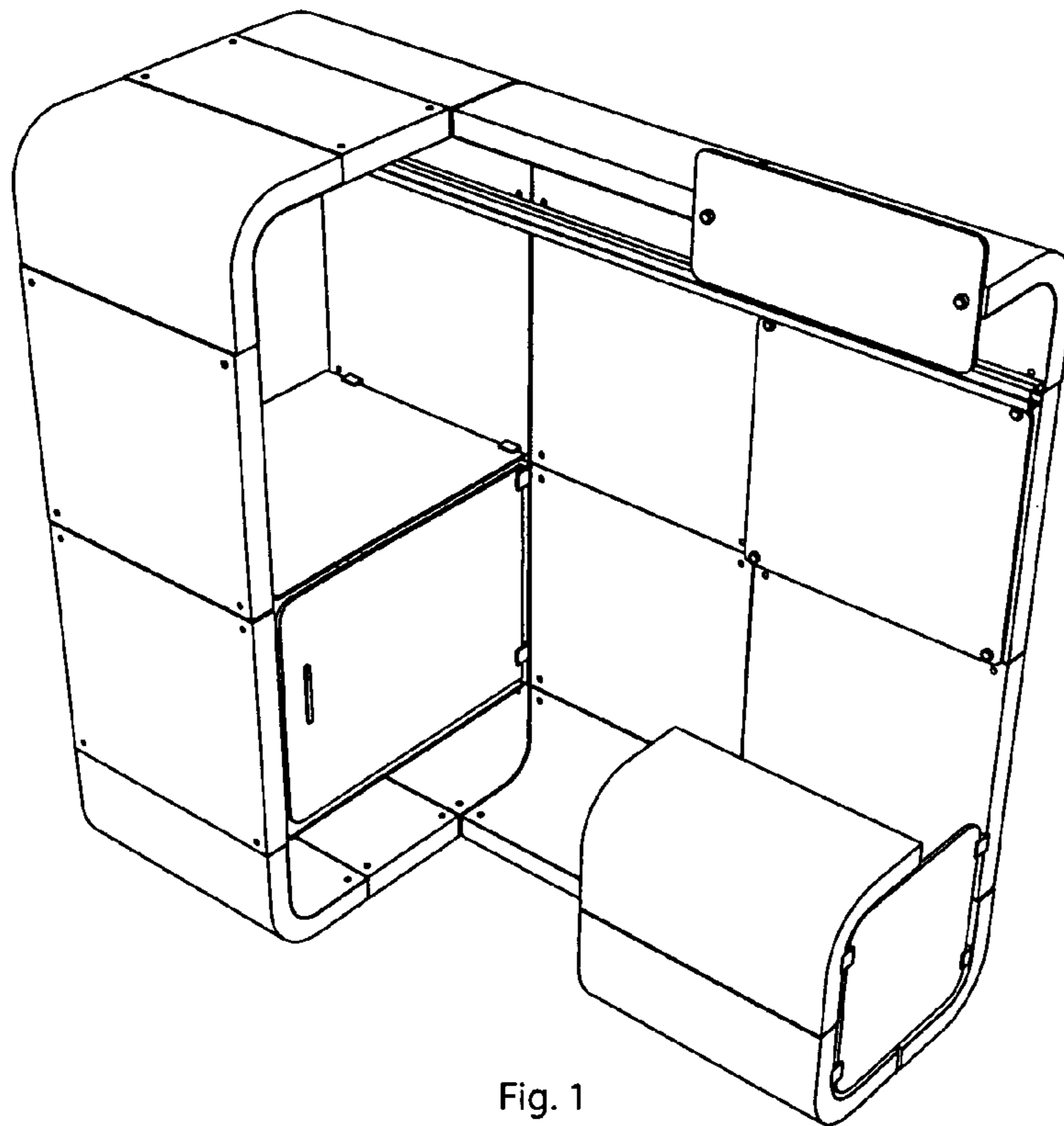


Fig. 1

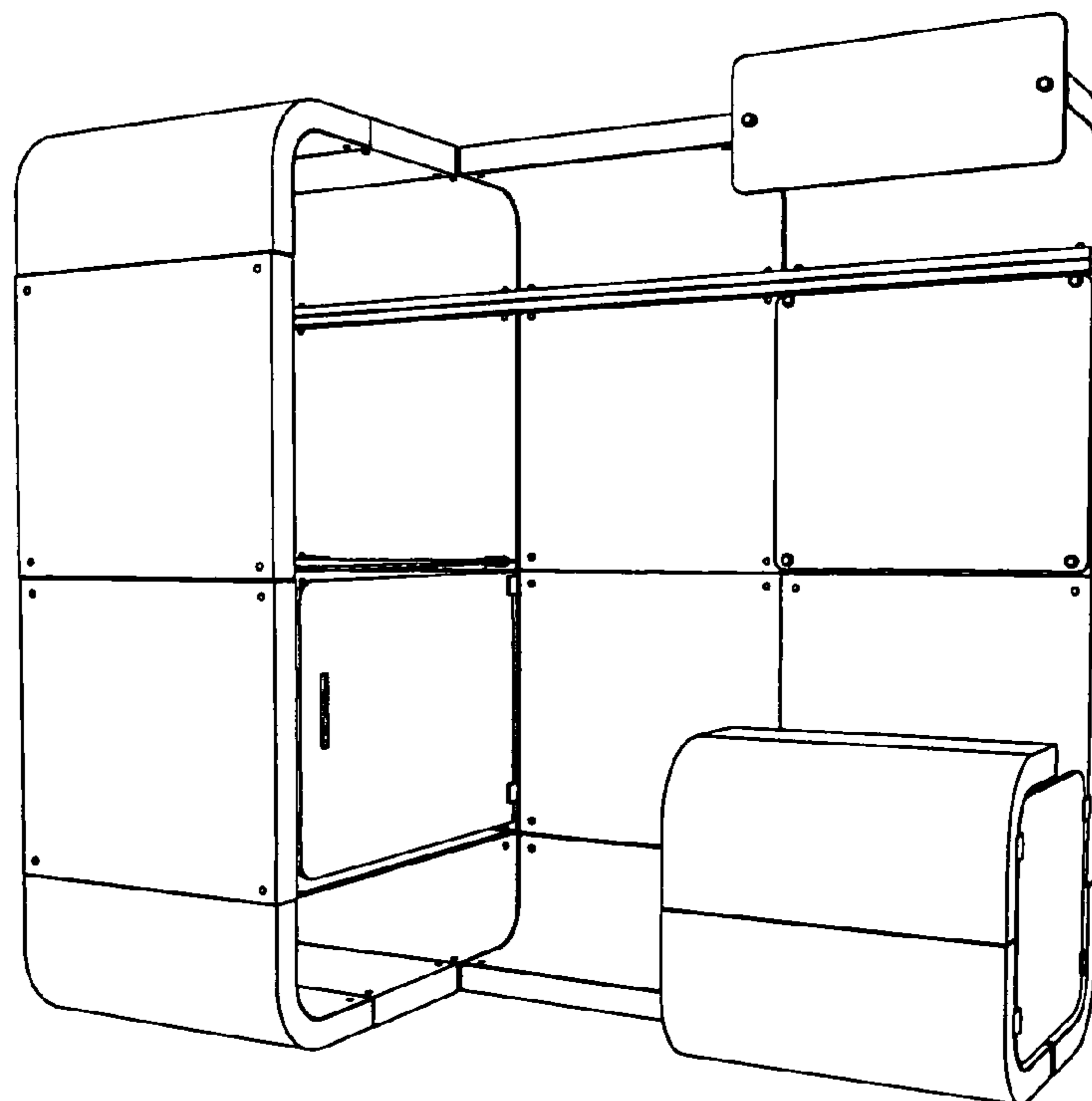


Fig. 2

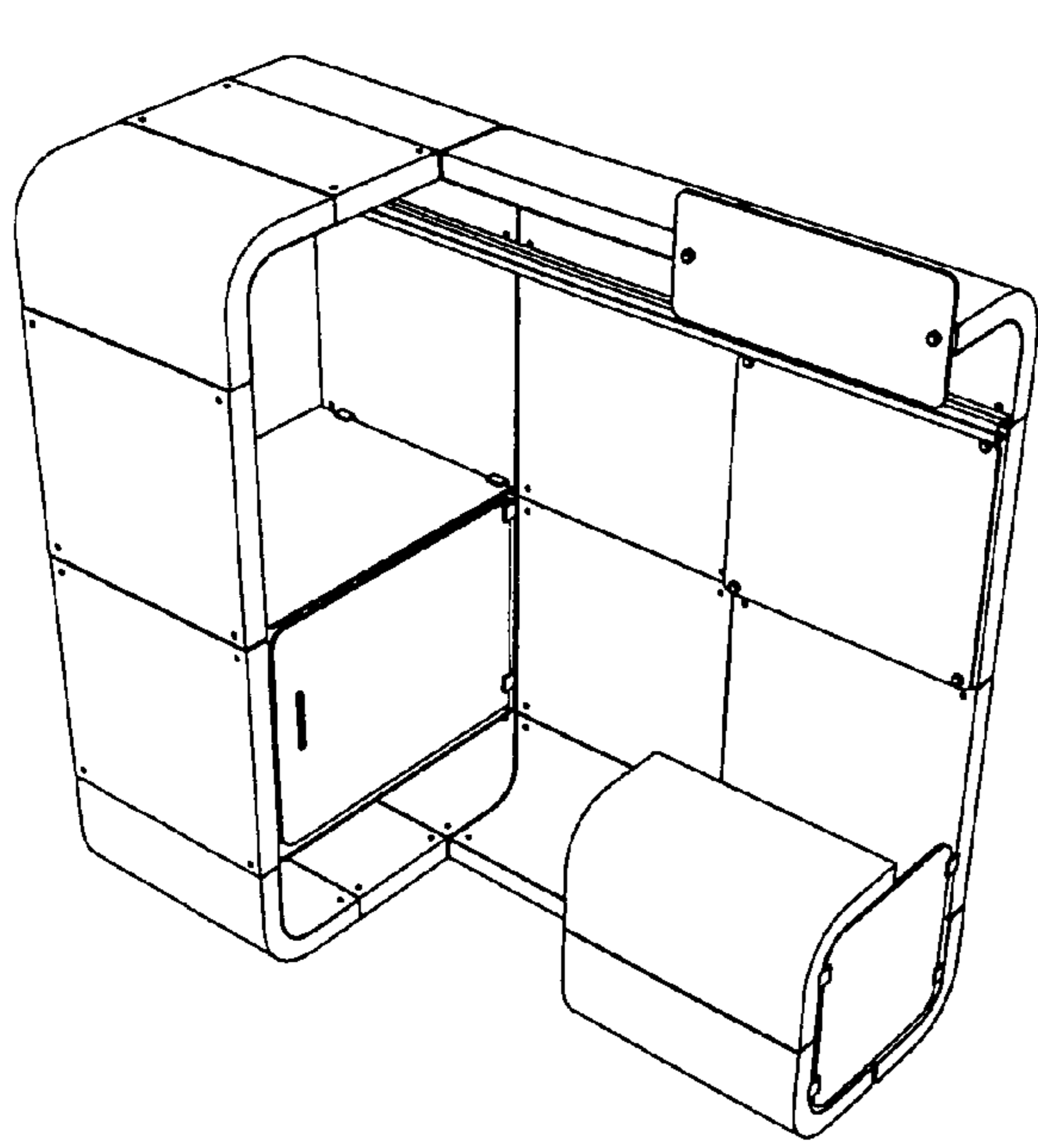


Fig. 3

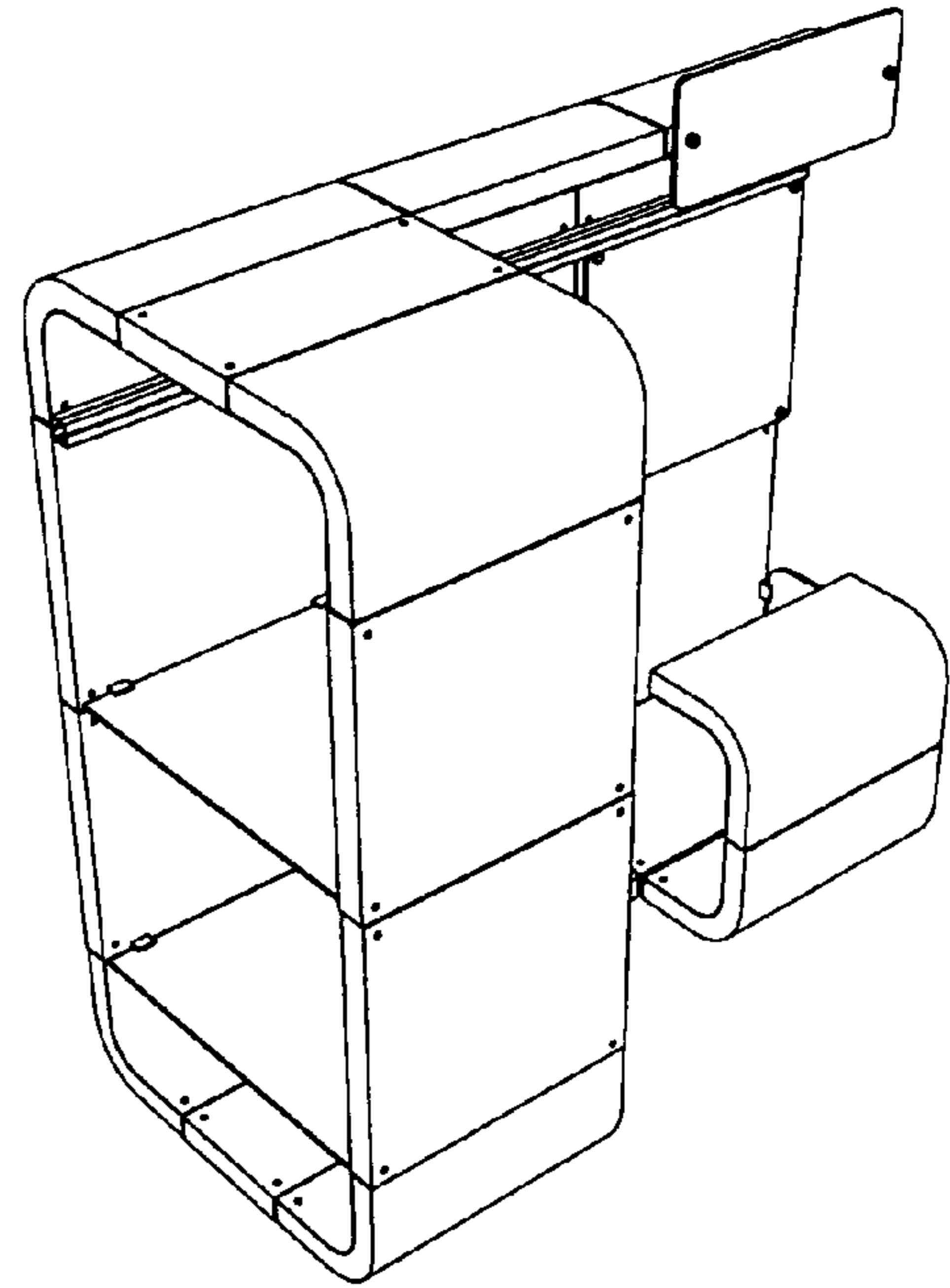


Fig. 4

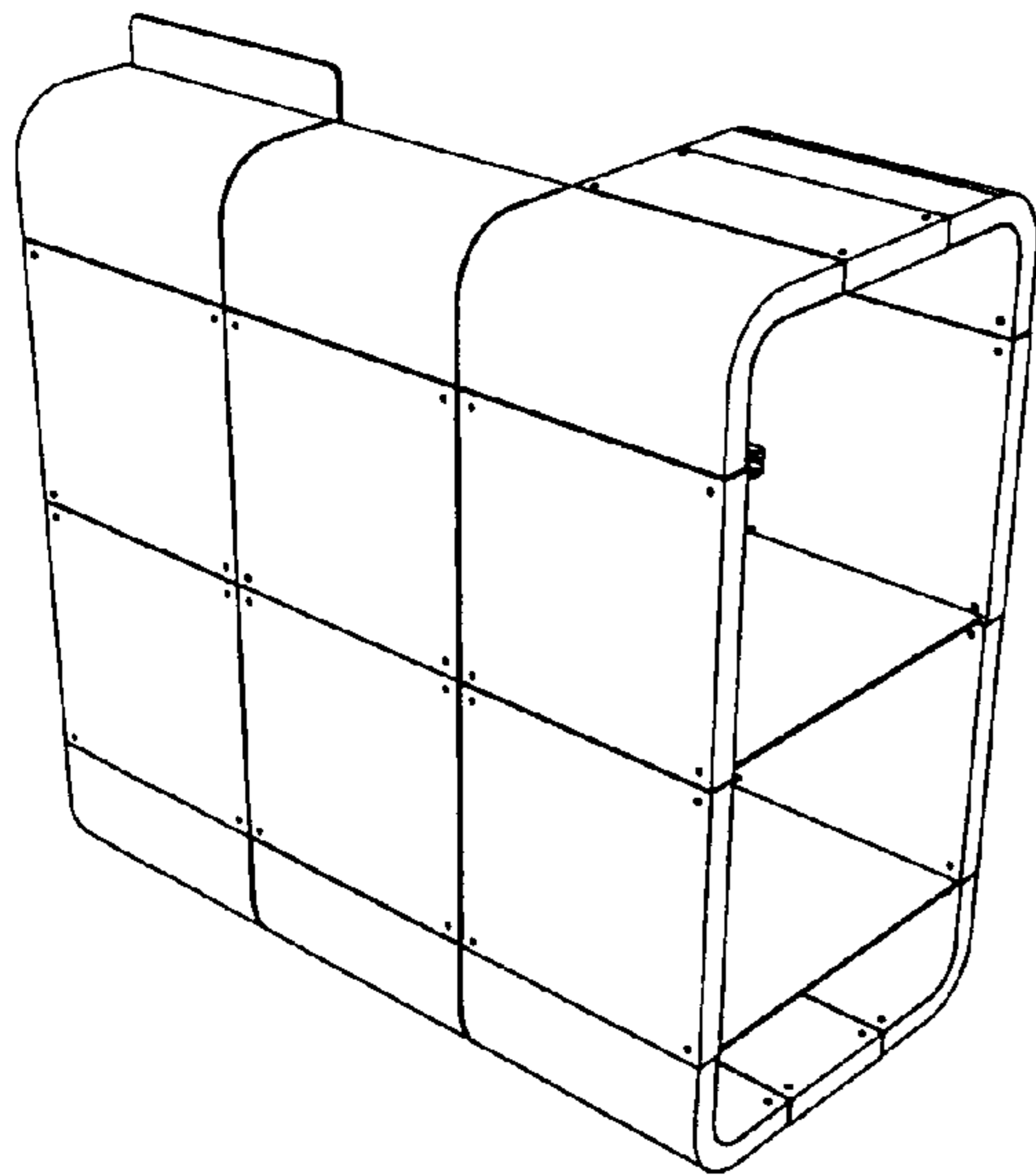


Fig. 5

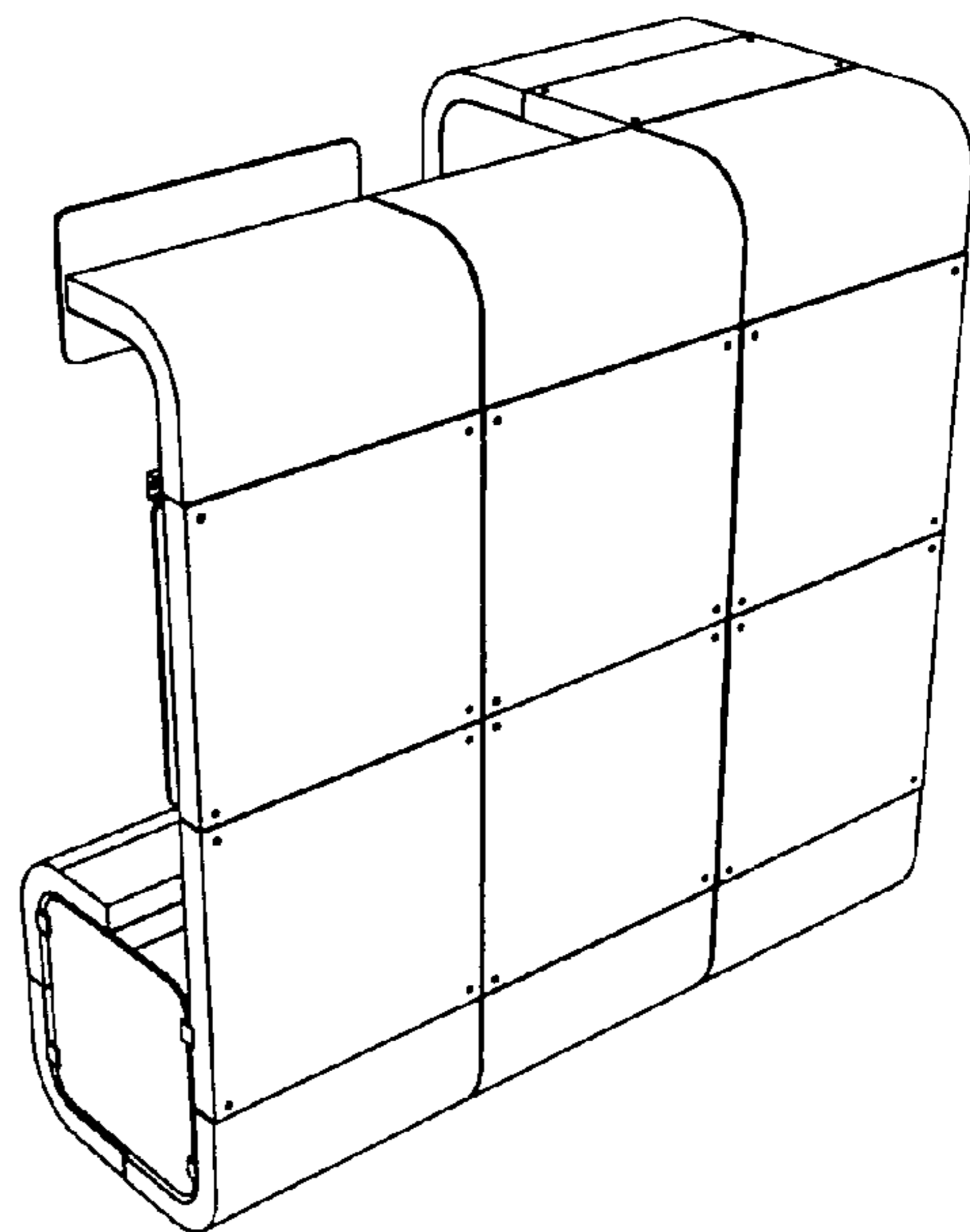


Fig. 6

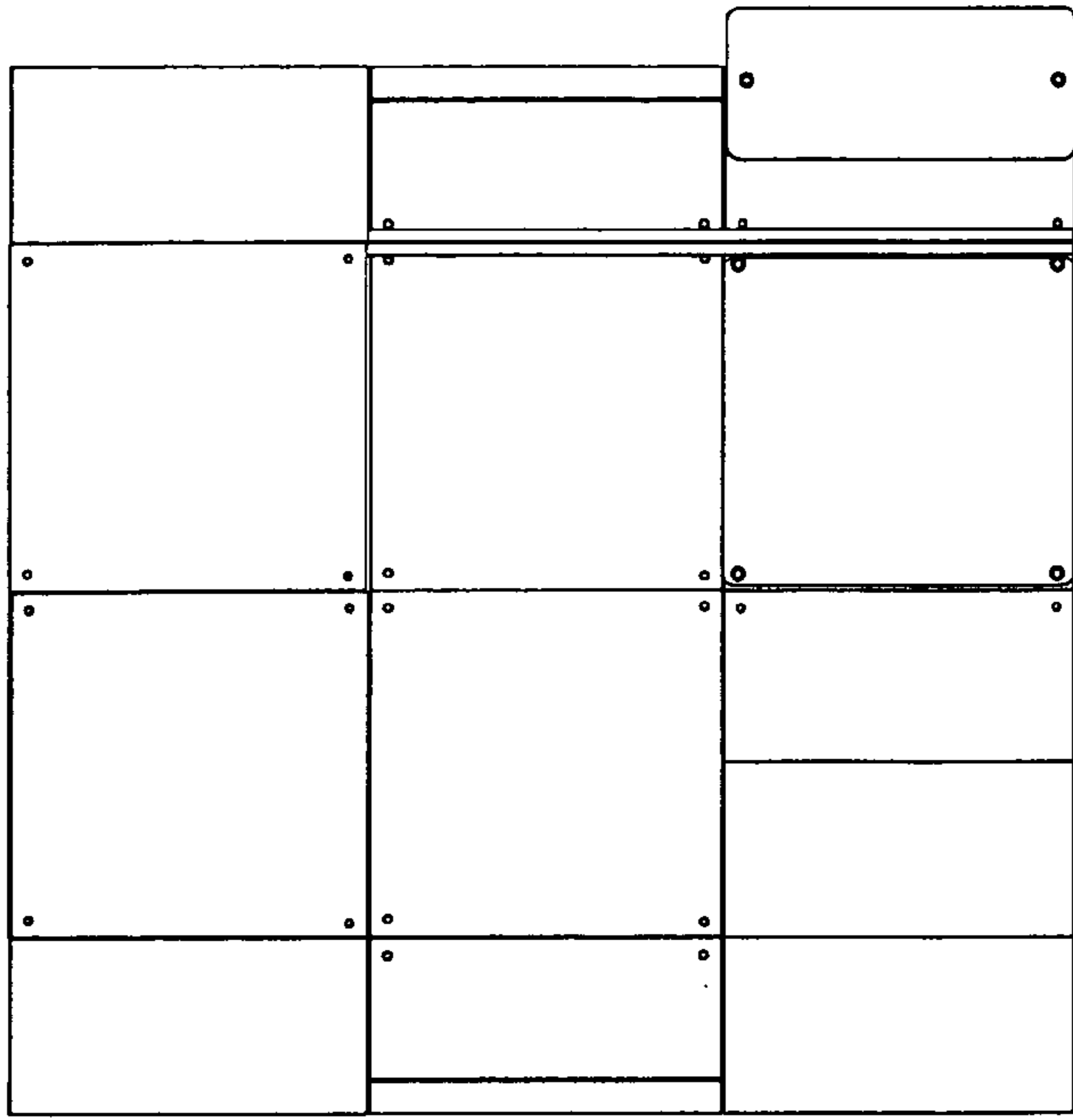


Fig. 7

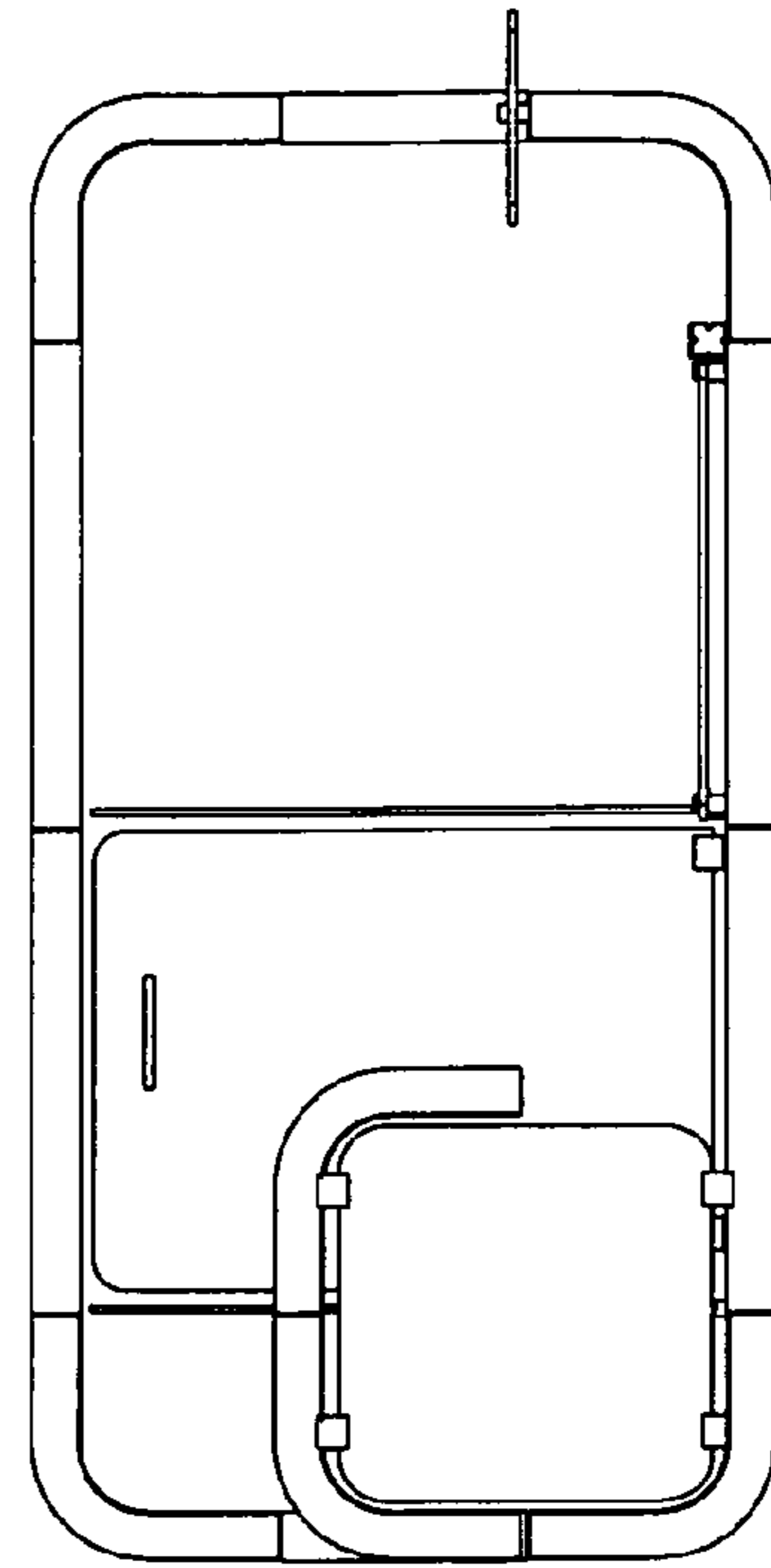


Fig. 8

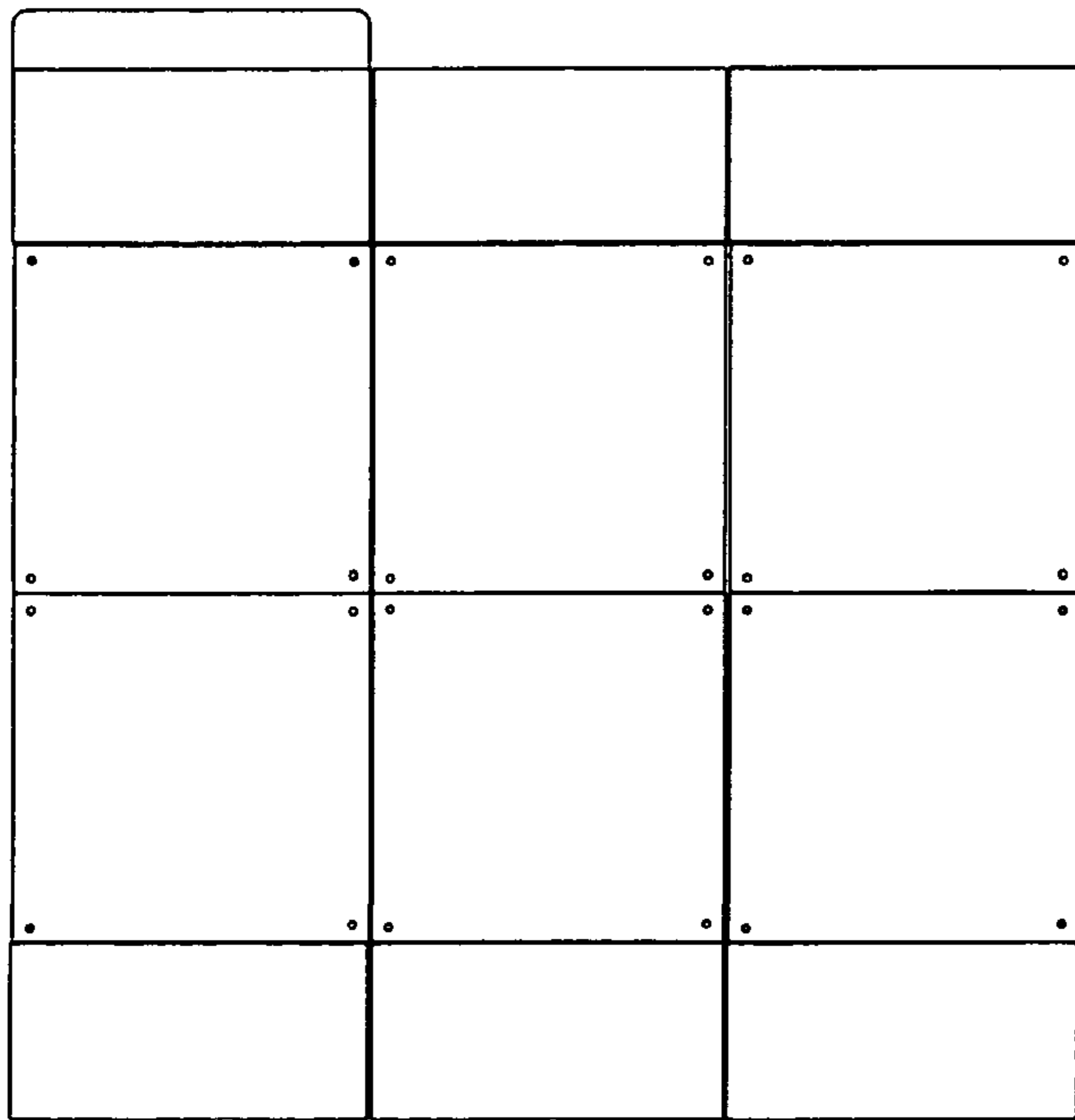


Fig. 9

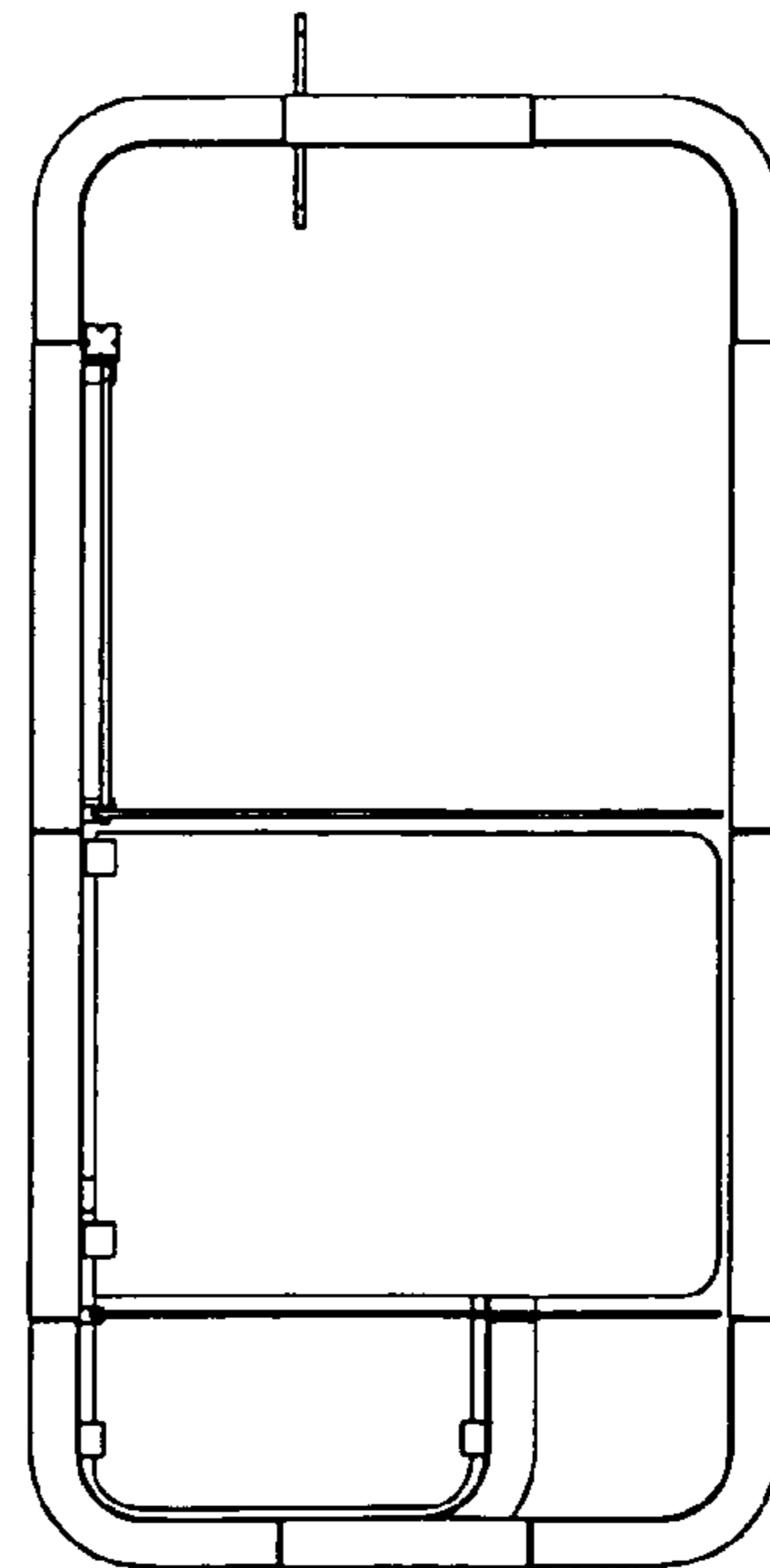


Fig. 10

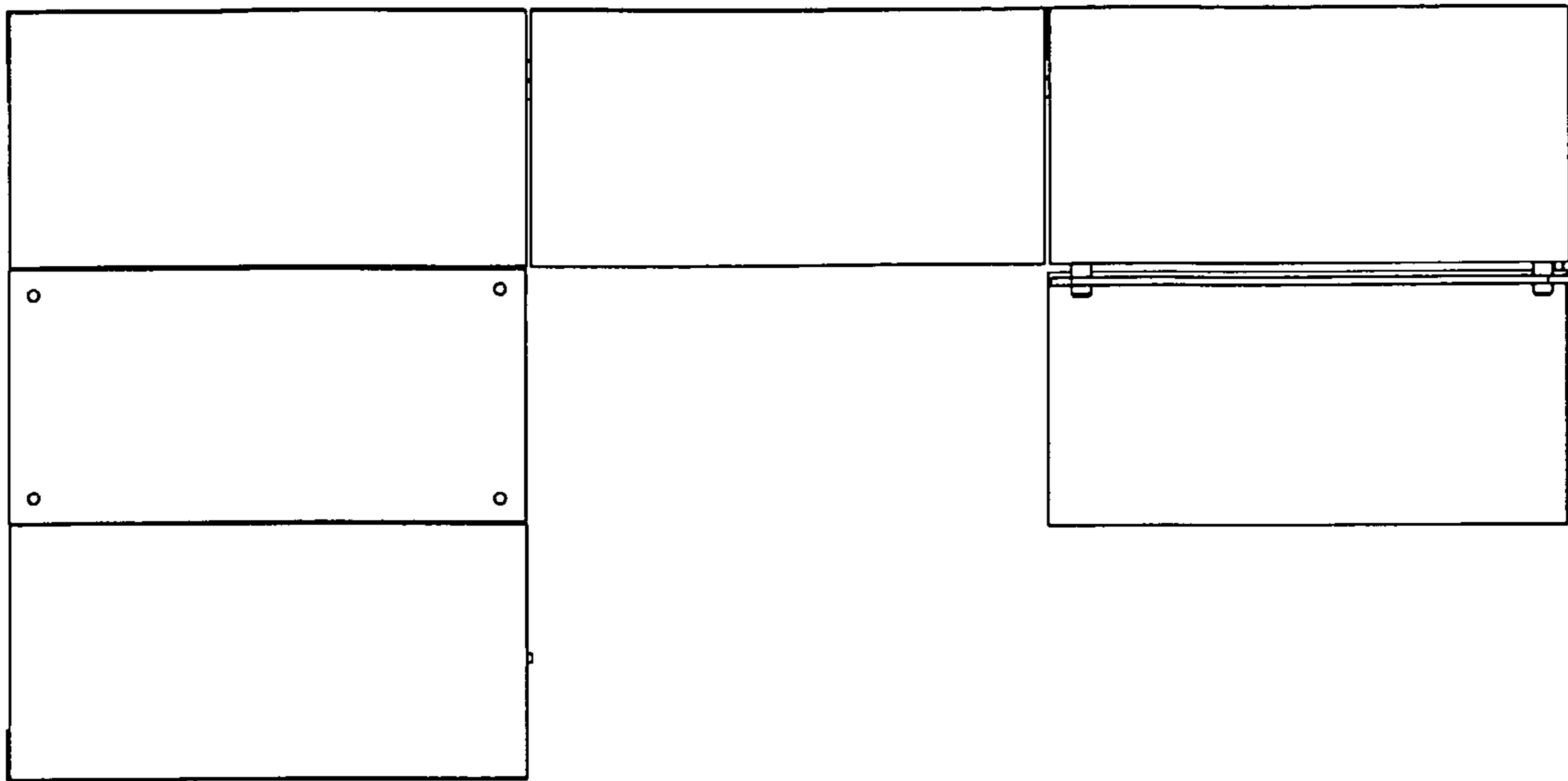


Fig. 11

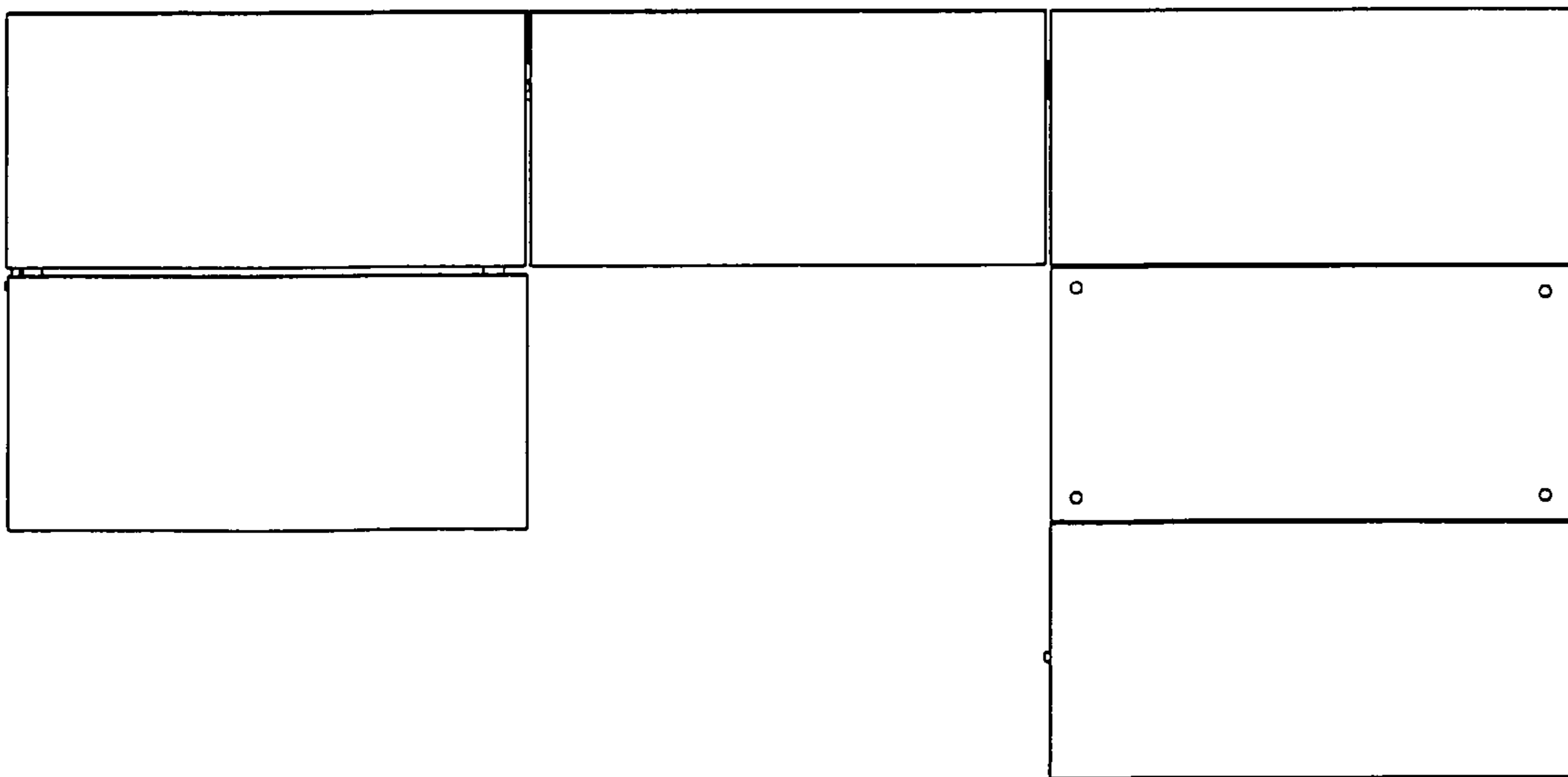


Fig. 12