



US00D565326S

(12) **United States Design Patent**  
**Warme**

(10) **Patent No.:** **US D565,326 S**

(45) **Date of Patent:** **\*\* Apr. 1, 2008**

(54) **BROCHURE STAND**

(75) Inventor: **Jan Warme**, Stockholm (SE)

(73) Assignee: **Expolinc Solna Aktiebolag**, Solna (SE)

(\*\*) Term: **14 Years**

(21) Appl. No.: **29/223,182**

(22) Filed: **Feb. 10, 2005**

(30) **Foreign Application Priority Data**

Sep. 13, 2004 (EM) ..... 000224944

(51) **LOC (8) Cl.** ..... **06-04**

(52) **U.S. Cl.** ..... **D6/474**

(58) **Field of Classification Search** ..... D6/470,  
D6/471, 473-479, 468; D19/90; D20/10;  
206/425; 211/43, 55, 85, 150, 175, 207;  
312/312

See application file for complete search history.

(56) **References Cited**

U.S. PATENT DOCUMENTS

D207,193 S *	3/1967	Leath	.....	D6/473
D276,777 S *	12/1984	Evenson	.....	D6/473
4,871,218 A *	10/1989	Swinson	.....	312/312
5,222,609 A *	6/1993	Eaton	.....	211/55
D340,156 S *	10/1993	Bonazza et al.	.....	D6/476
D349,131 S *	7/1994	Nystrom et al.	.....	D19/90
D363,950 S *	11/1995	Brussing	.....	D19/90
D415,908 S *	11/1999	Miranda	.....	D6/473
D488,937 S *	4/2004	Gillet	.....	D6/471
D512,260 S *	12/2005	Melnyk	.....	D6/474

\* cited by examiner

*Primary Examiner*—Cathron C. Brooks  
*Assistant Examiner*—Kelley A. Donnelly

(74) *Attorney, Agent, or Firm*—Gottlieb, Rackman & Reisman, P.C.

(57) **CLAIM**

The ornamental design for a brochure stand, as shown and described.

**DESCRIPTION**

FIG. 1 is a front elevational view of a brochure stand, showing my new design in a folded position;

FIG. 2 is a rear elevational view thereof;

FIG. 3 is a top plan view thereof;

FIG. 4 is a bottom plan view thereof;

FIG. 5 is a left side elevational view thereof;

FIG. 6 is a right side elevational view thereof;

FIG. 7 is a front perspective view thereof, from above;

FIG. 8 is a front perspective view thereof, from below;

FIG. 9 is a rear perspective view thereof, from above;

FIG. 10 is a rear perspective view thereof, from below;

FIG. 11 is a front elevational view, similar to FIG. 1, but showing my new design in an opened or unfolded position;

FIG. 12 is a rear elevational view thereof;

FIG. 13 is a top plan view thereof;

FIG. 14 is a bottom plan view thereof;

FIG. 15 is a left side elevational view thereof;

FIG. 16 is a right side elevational view thereof;

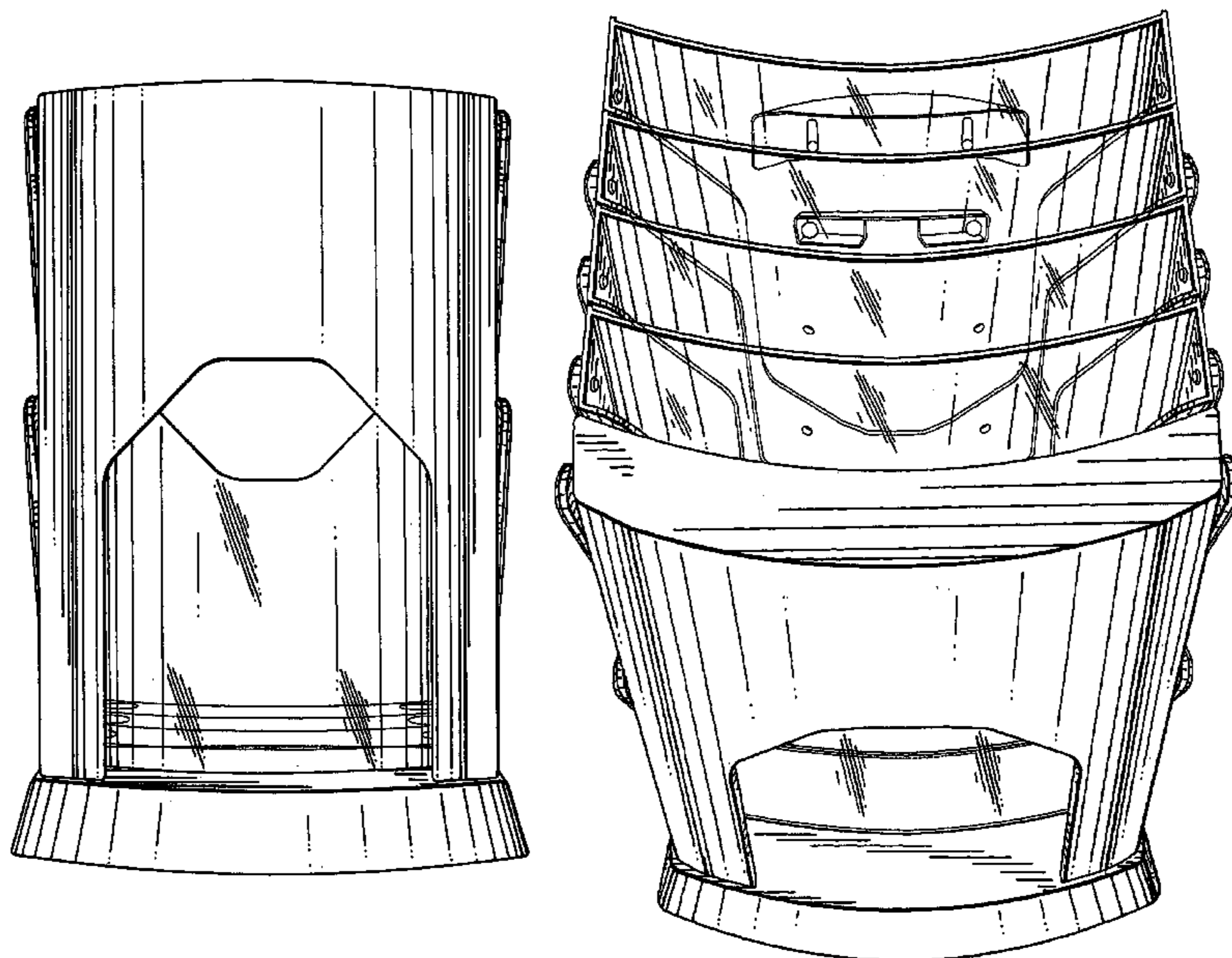
FIG. 17 is a front perspective view thereof, from above;

FIG. 18 is a front perspective view thereof, from below;

FIG. 19 is a rear perspective view thereof, from above; and,

FIG. 20 is a rear perspective view thereof, from below.

**1 Claim, 20 Drawing Sheets**



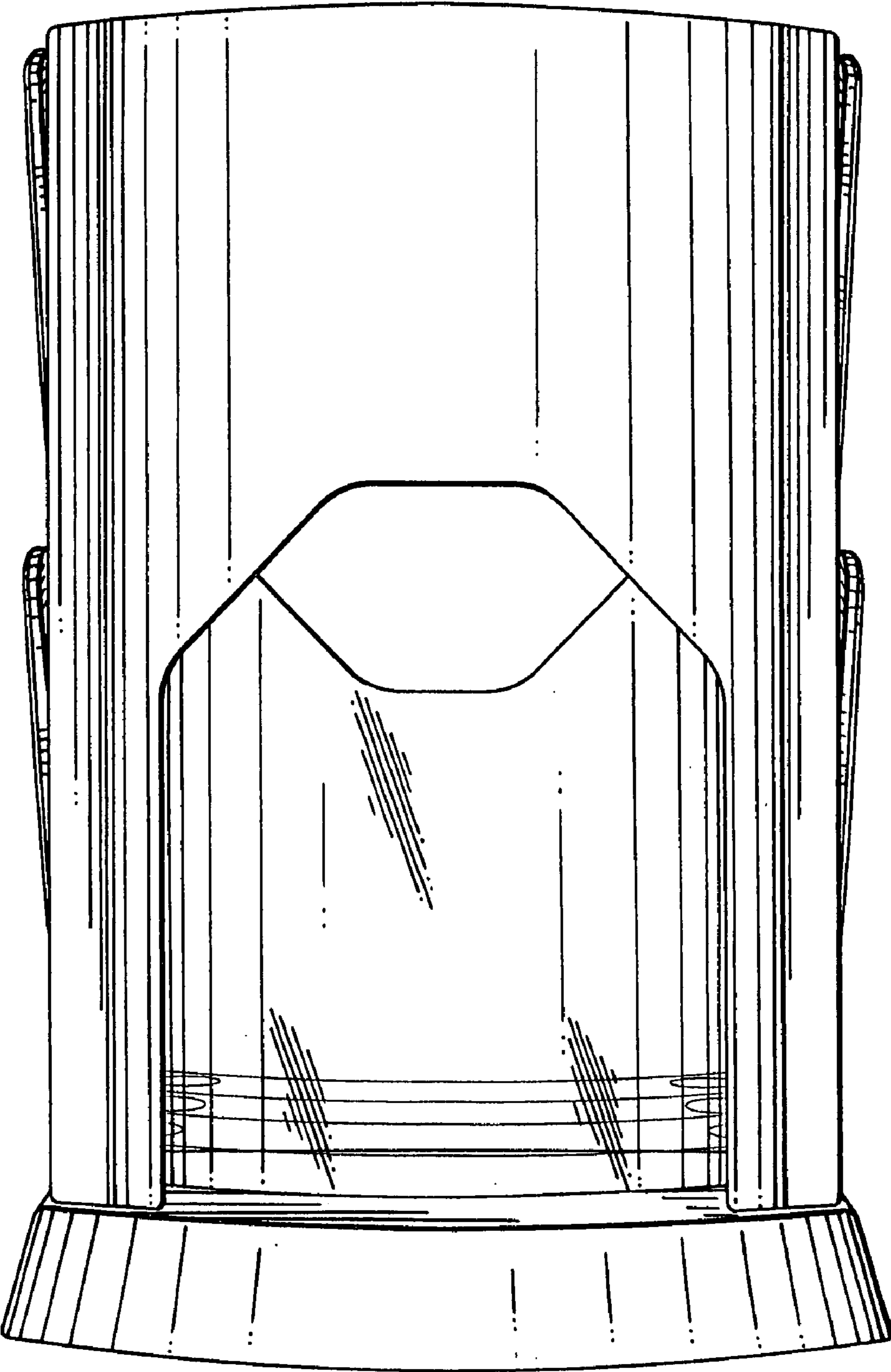


FIG. 1

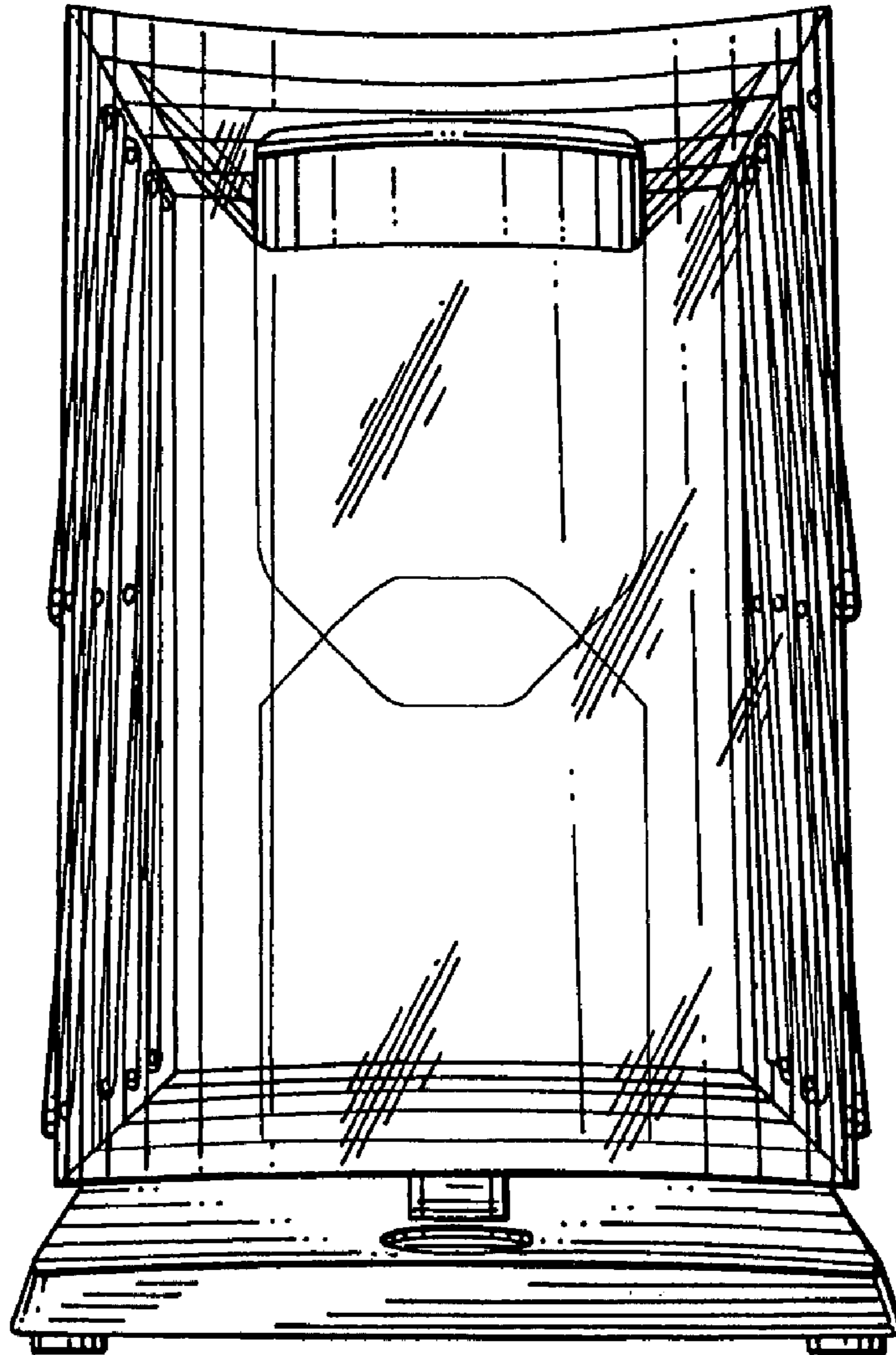


FIG. 2

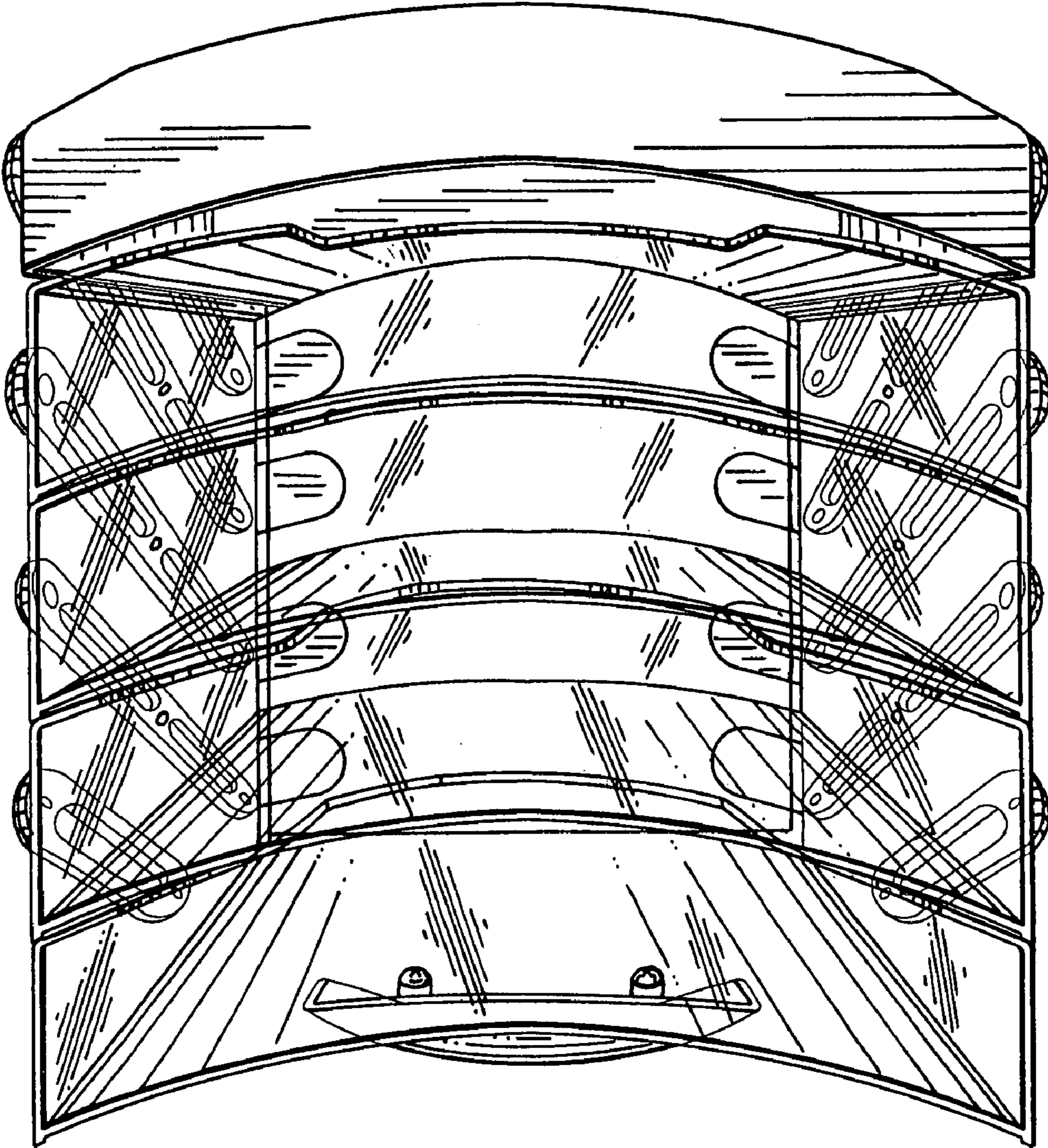


FIG. 3

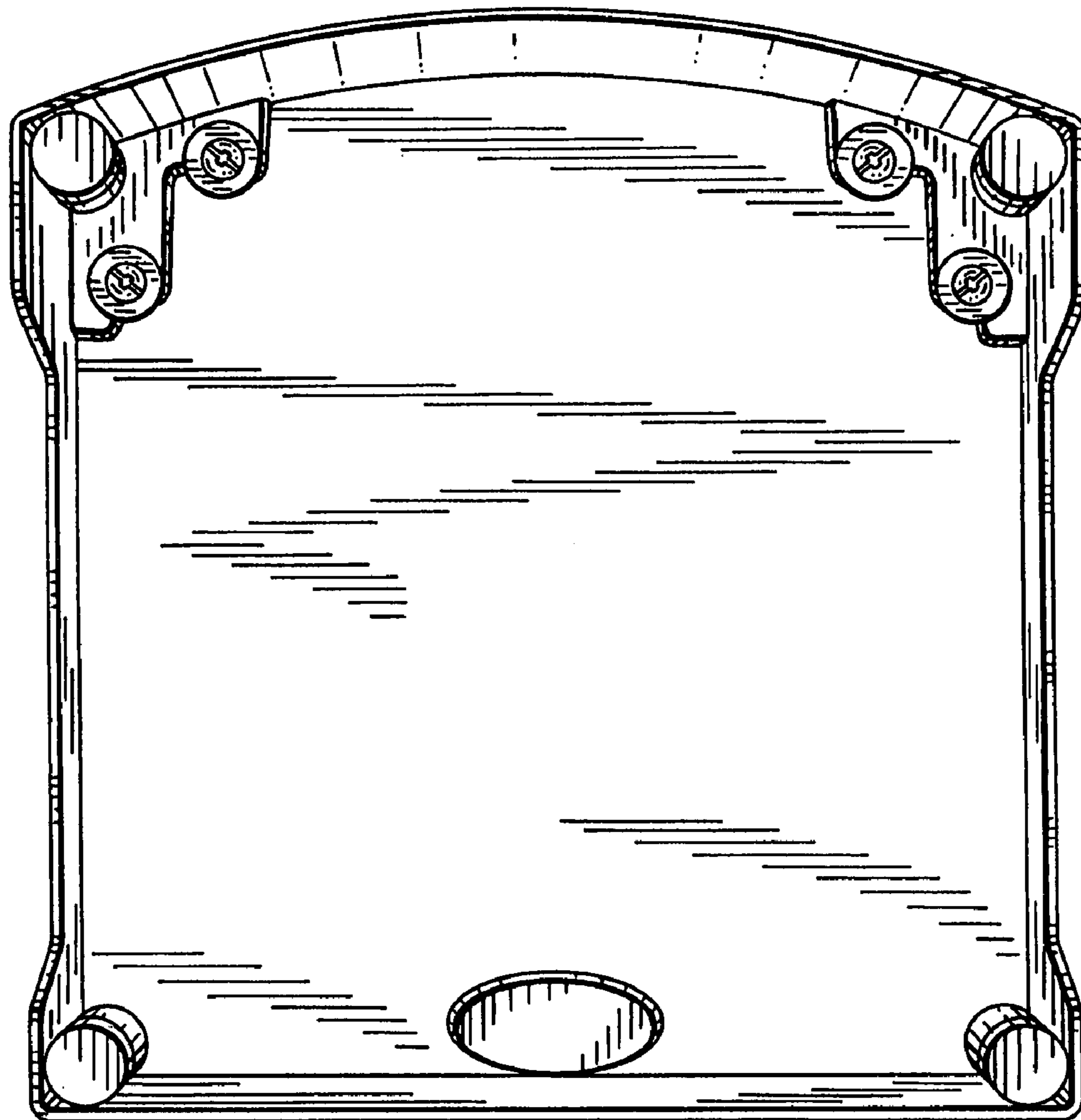


FIG. 4

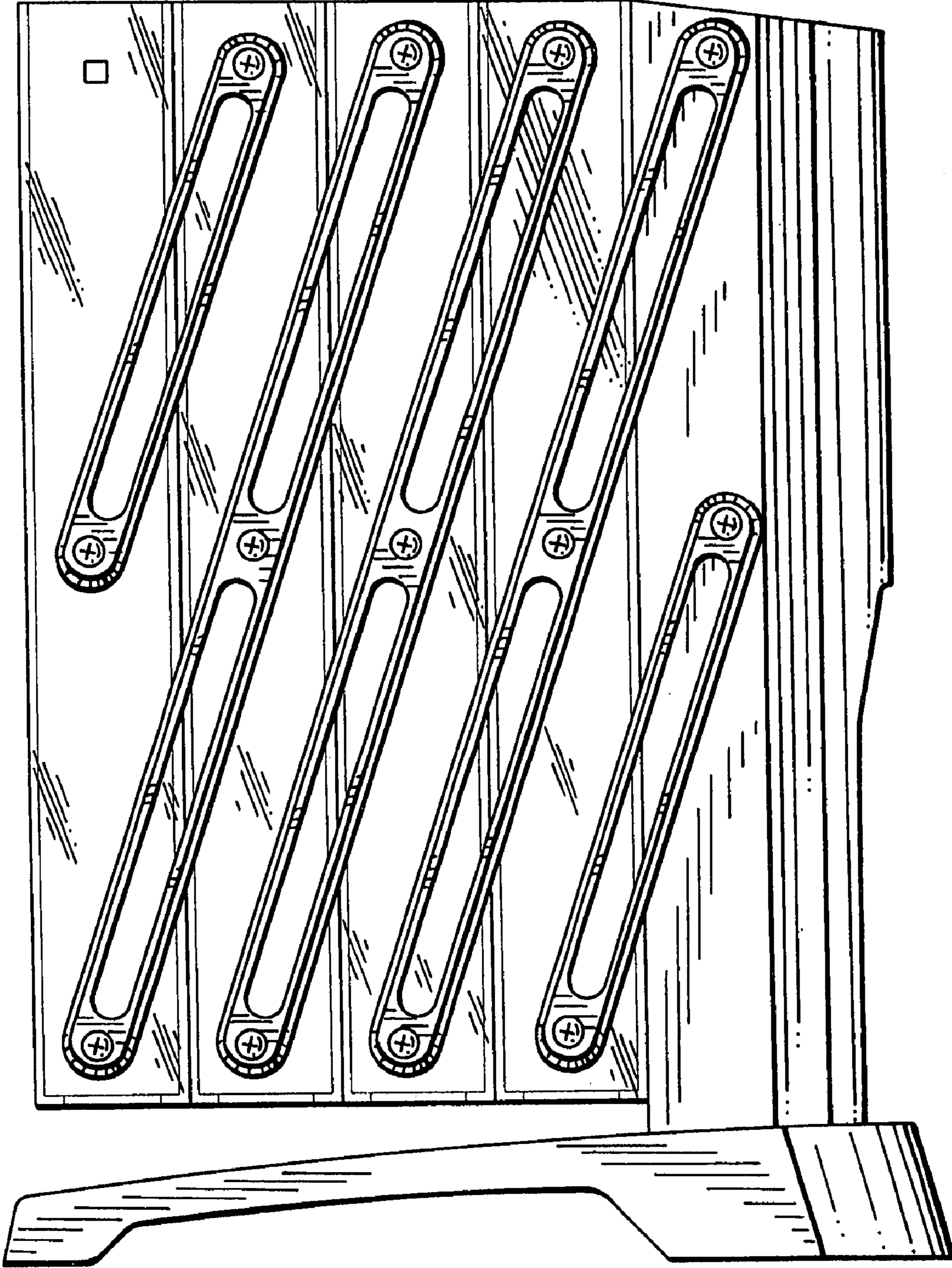


FIG. 5

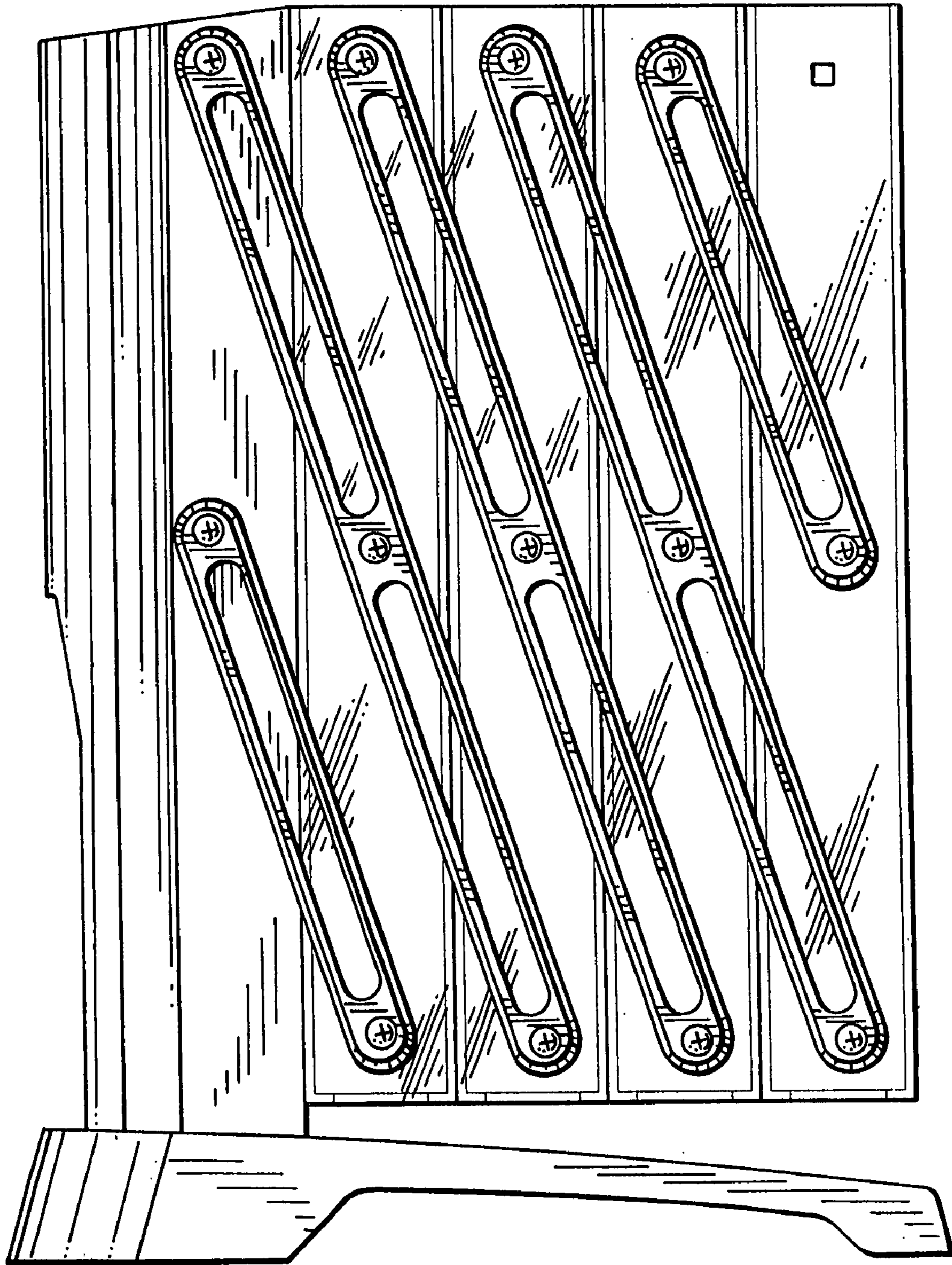


FIG. 6

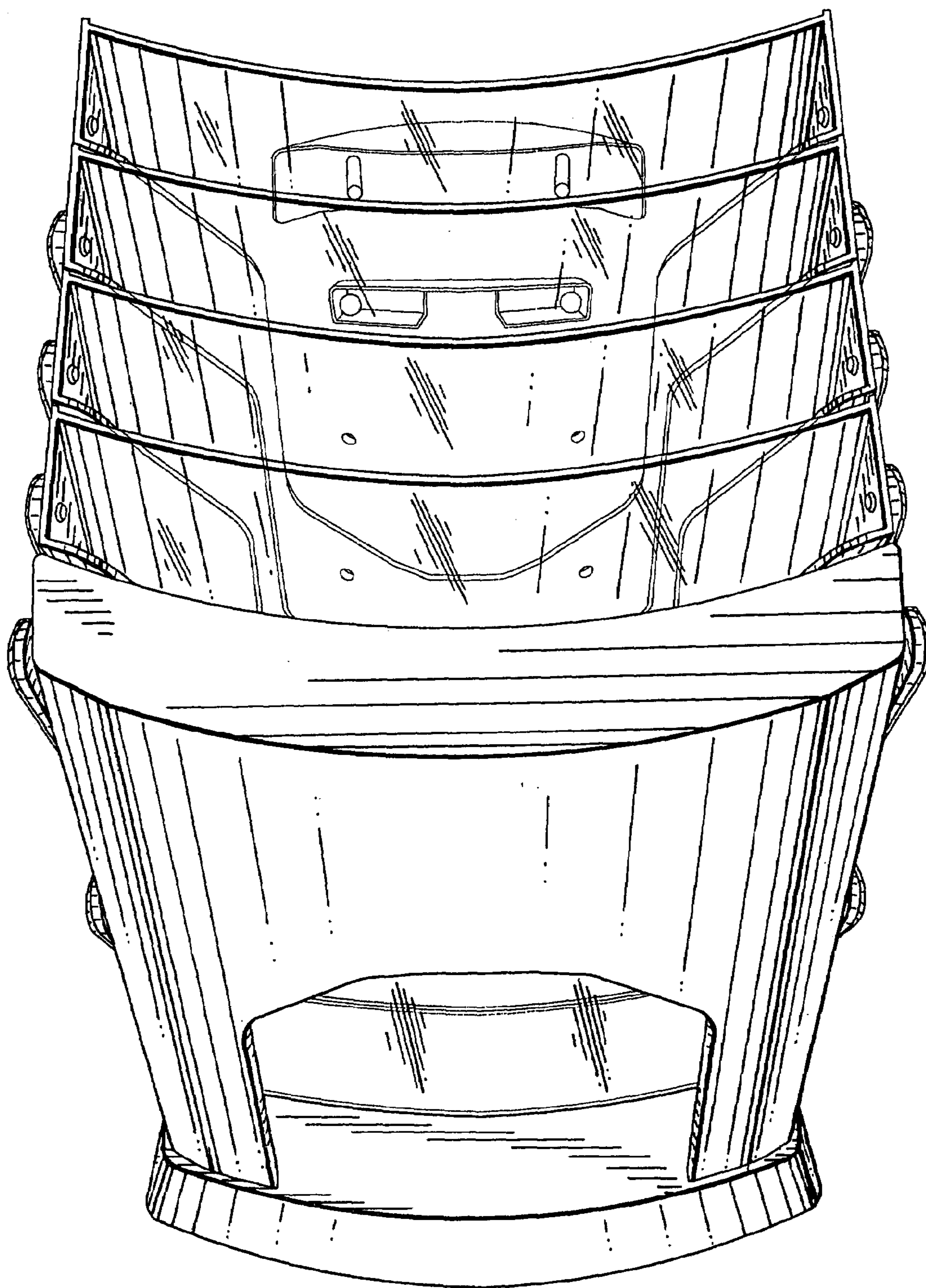


FIG. 7



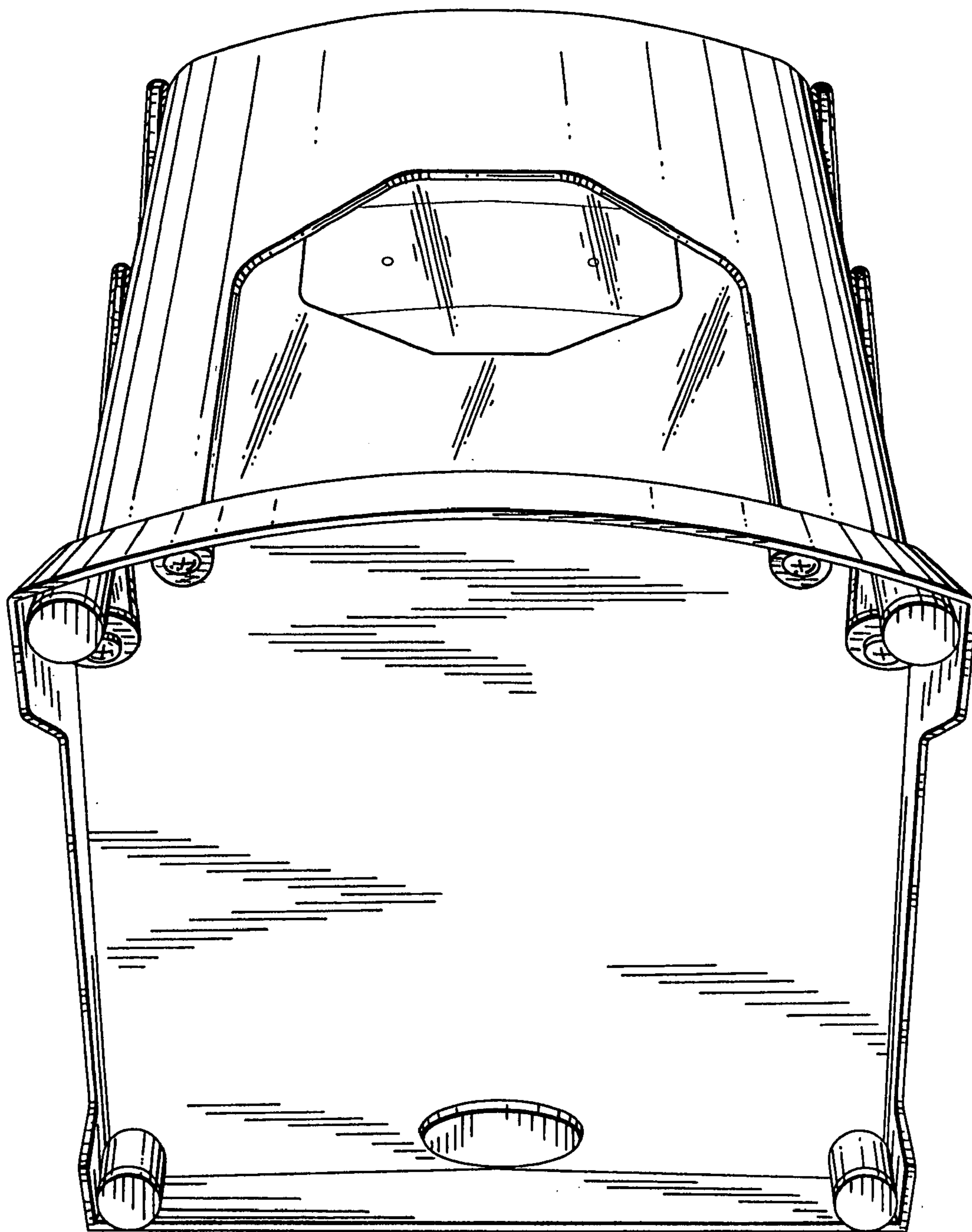


FIG. 8

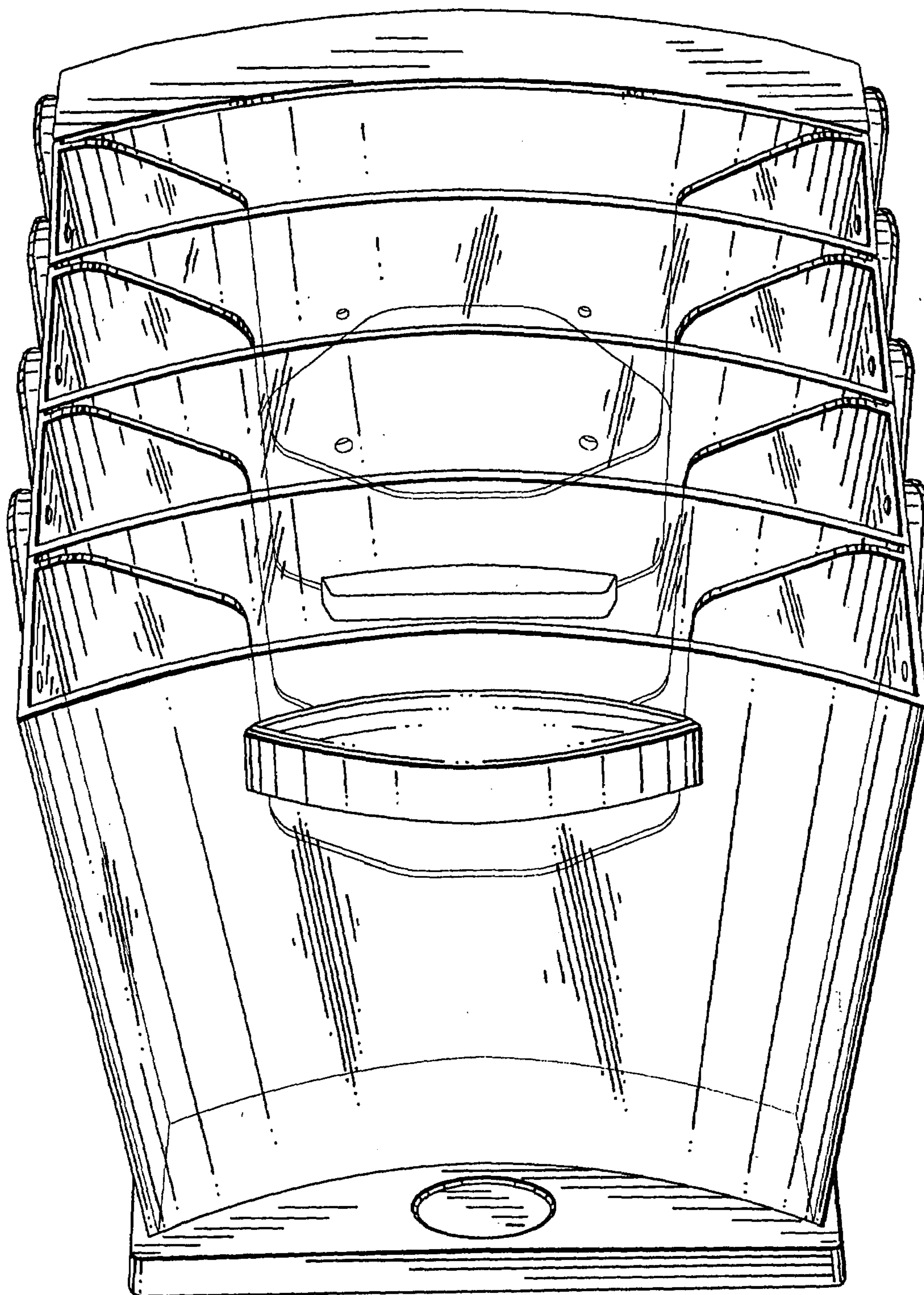


FIG. 9

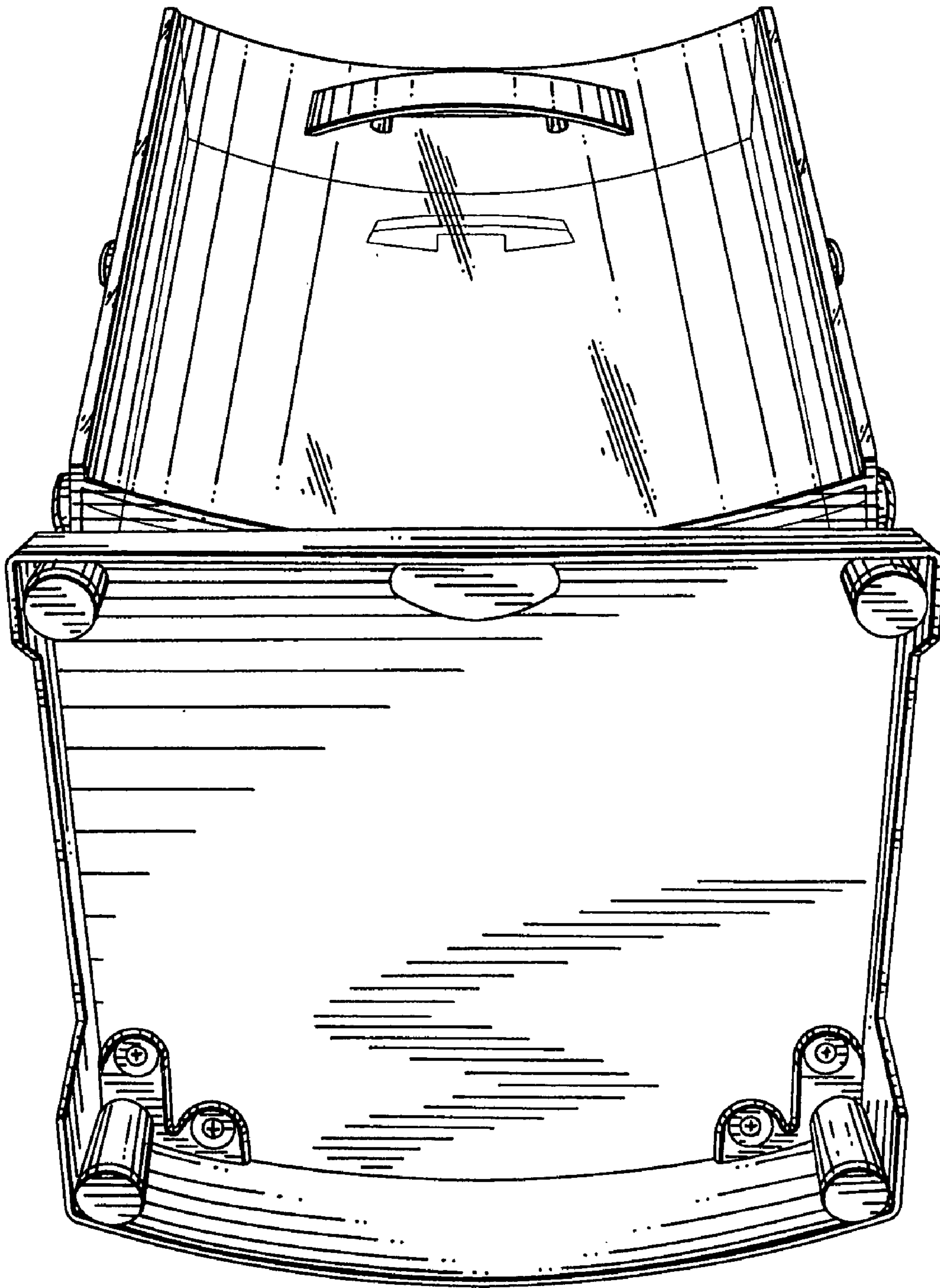


FIG. 10

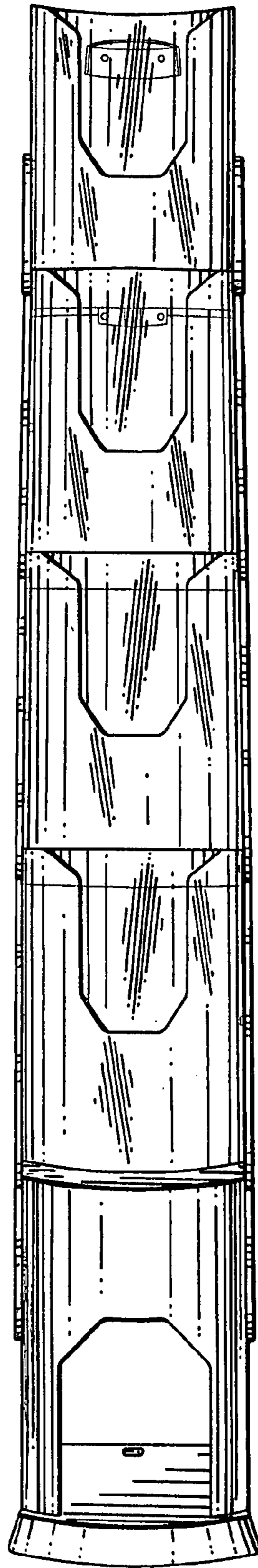


FIG. 11

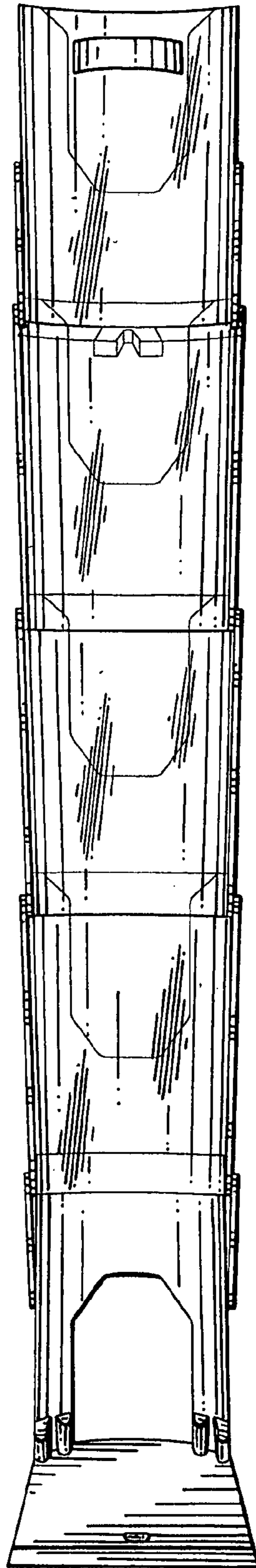


FIG. 12

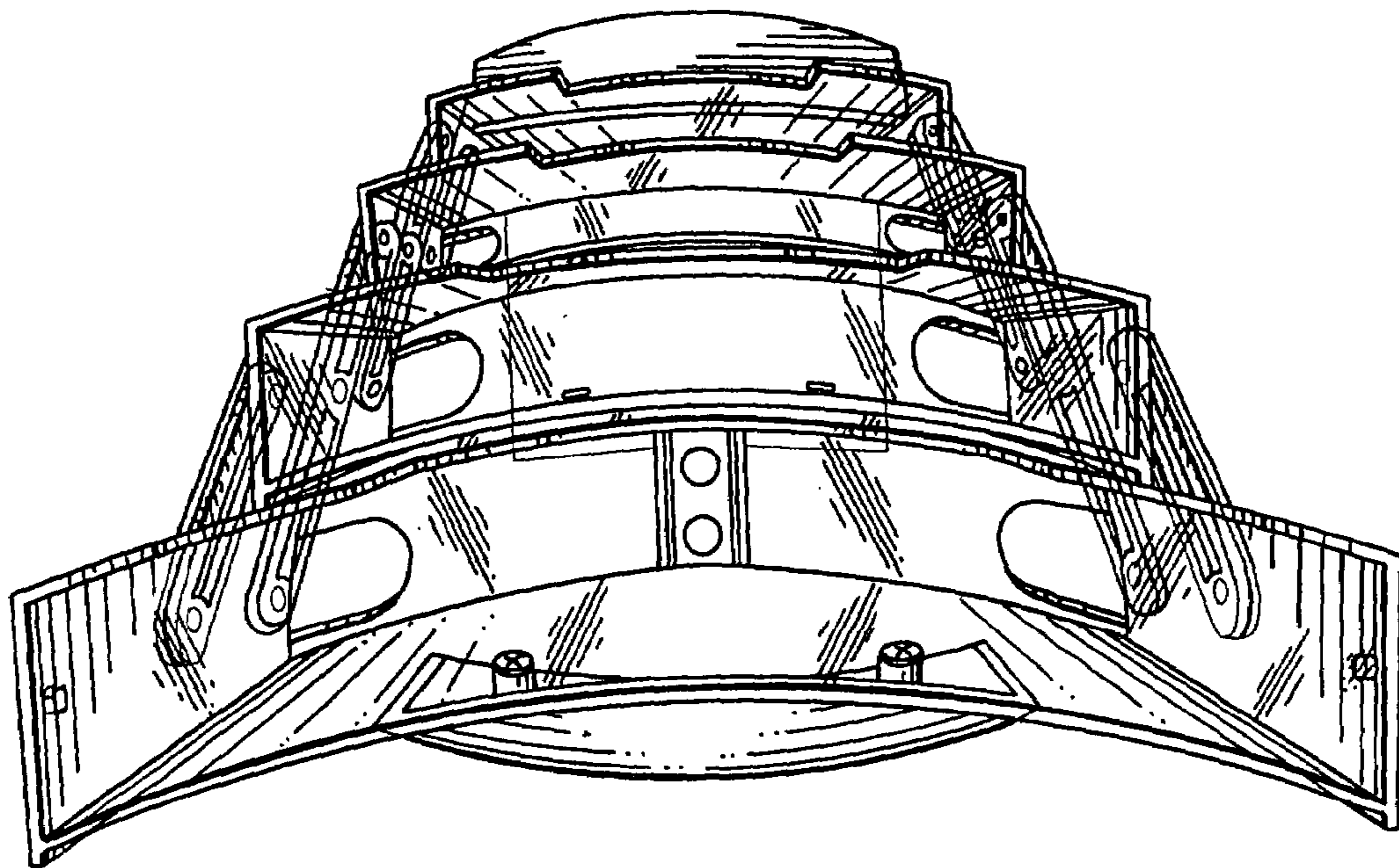


FIG. 13

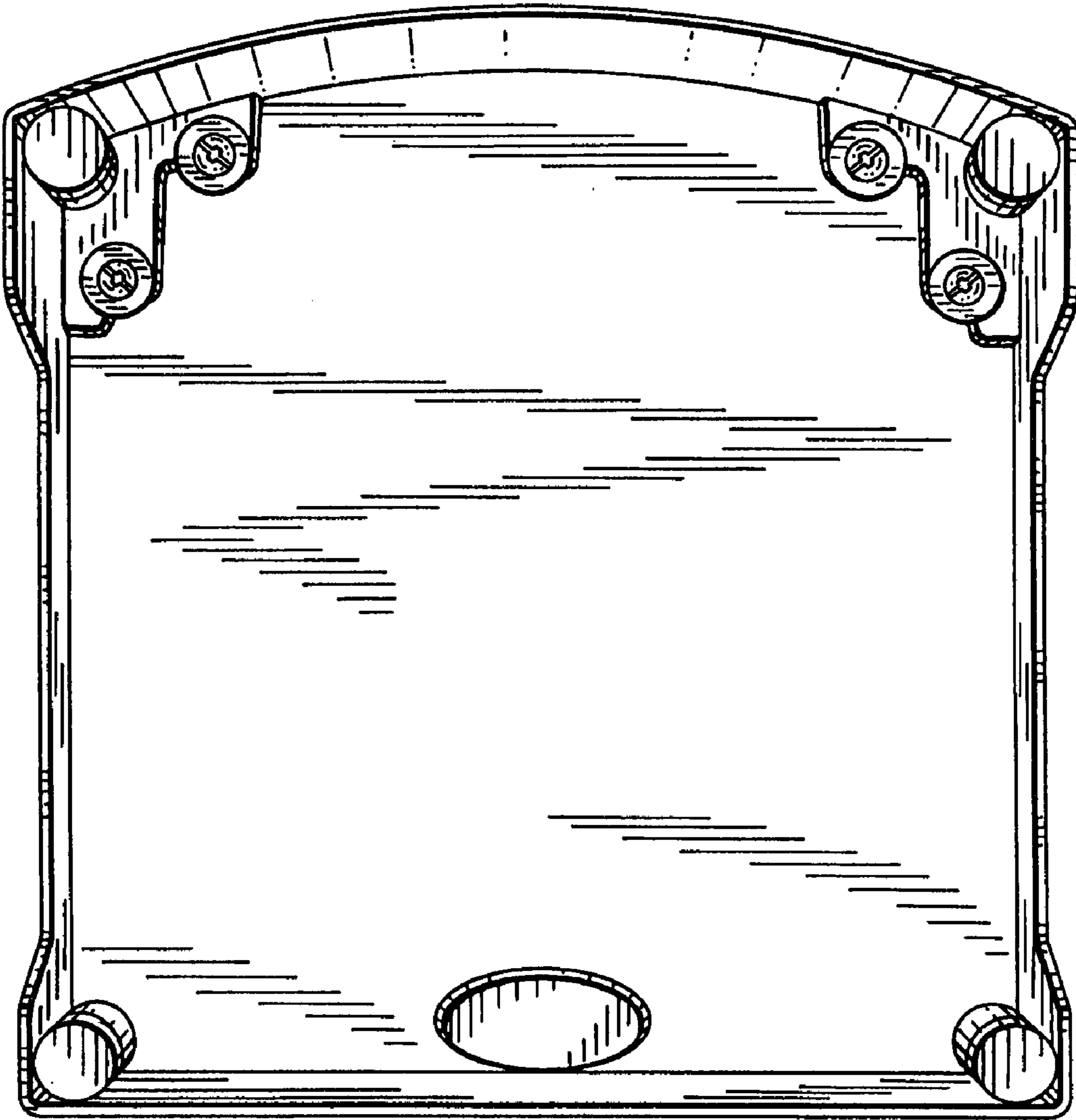


FIG. 14

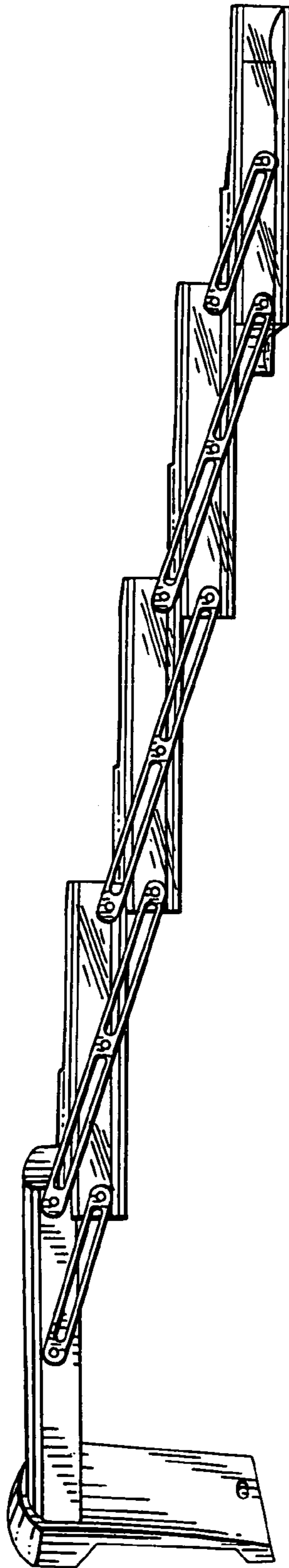


FIG. 15





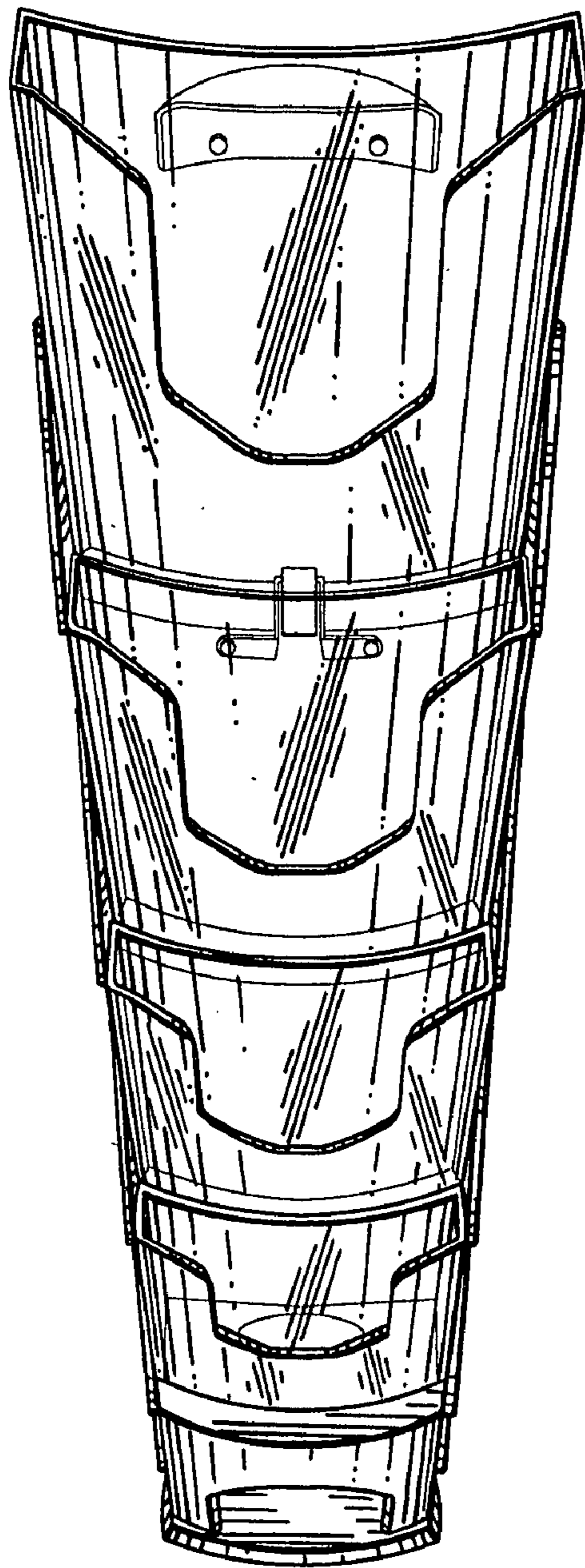


FIG. 17

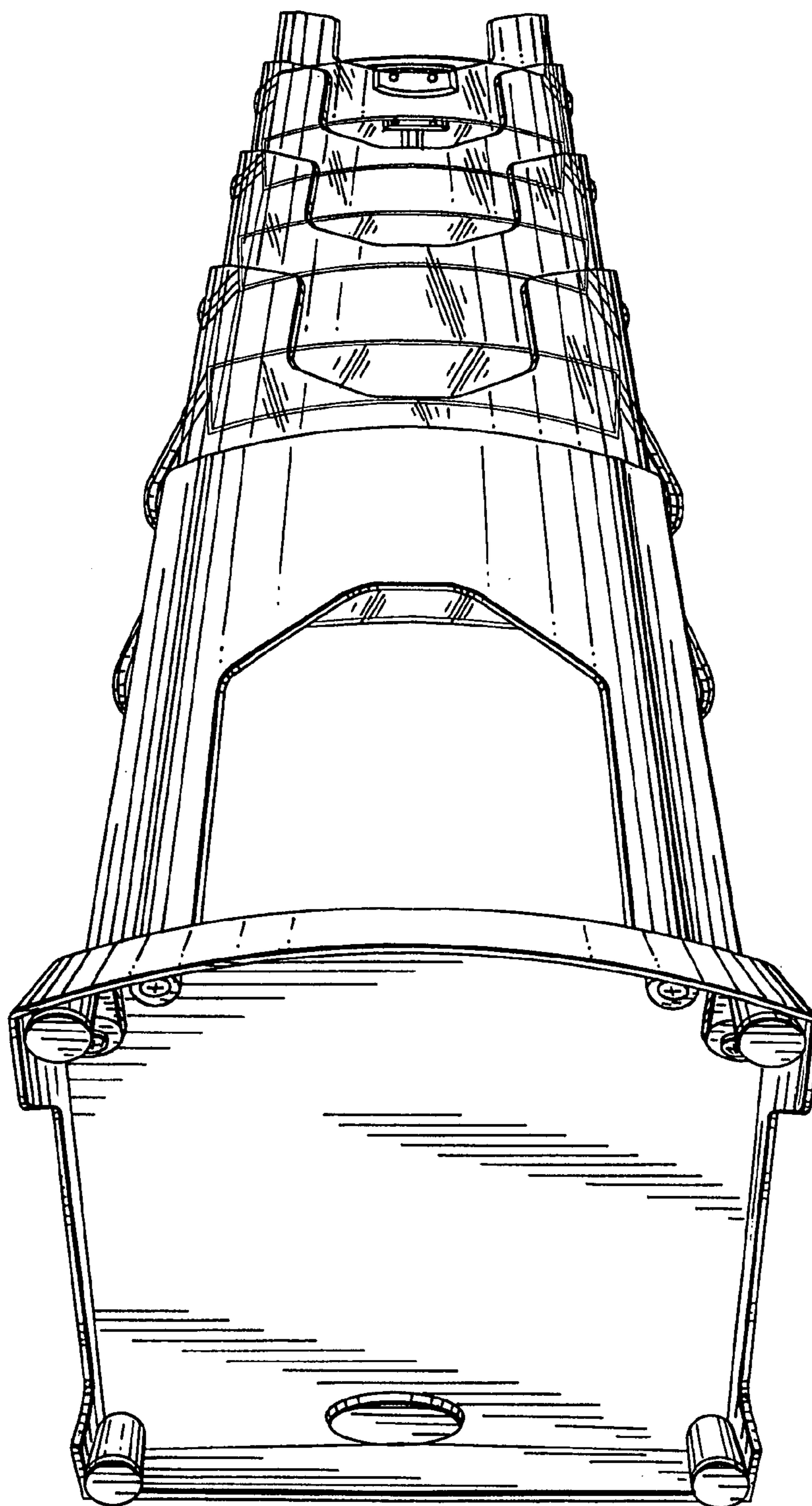


FIG. 18

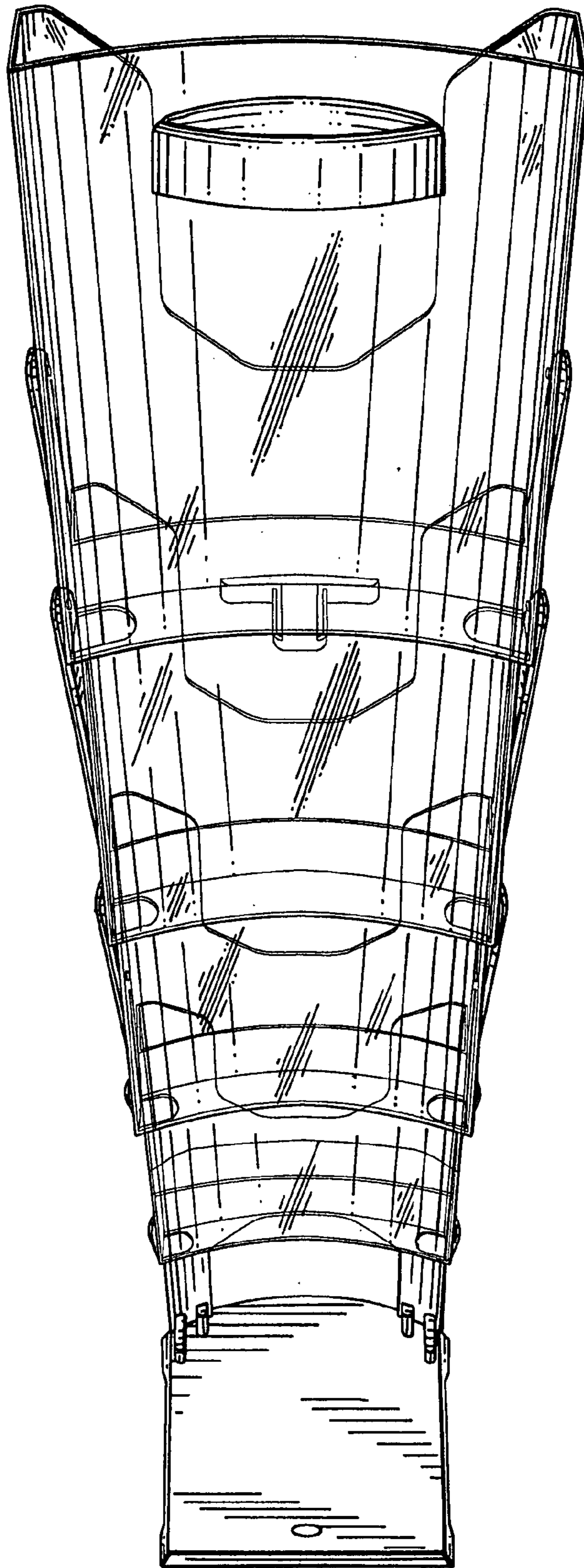


FIG. 19

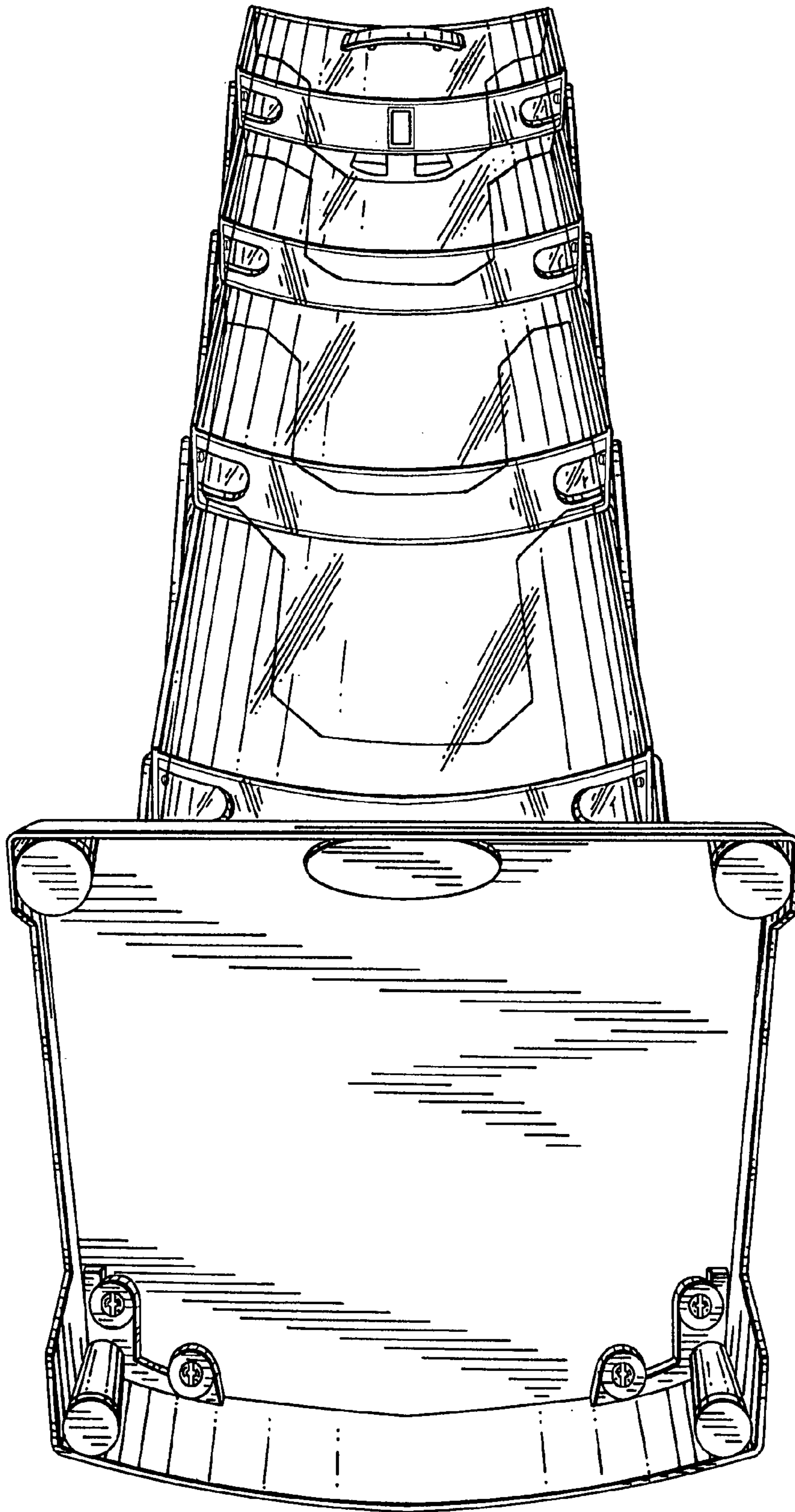


FIG. 20