



US00D565324S

(12) **United States Design Patent** (10) **Patent No.:** **US D565,324 S**  
**Sparkowski** (45) **Date of Patent:** **\*\* Apr. 1, 2008**

- (54) **REVOLVING STAND-ALONE WIRE DISPLAY SHELVING UNIT** 3,640,389 A 2/1972 Synder  
 3,730,467 A 5/1973 Dutchburn  
 D233,380 S 10/1974 Hyman  
 (75) Inventor: **Robert P. Sparkowski**, Schaumburg, IL (US) 3,891,228 A 6/1975 Rhinehart et al.  
 3,915,097 A 10/1975 Young, Jr.  
 3,953,044 A 4/1976 Wilson  
 (73) Assignee: **Chicago Display Marketing Corporation**, River Grove, IL (US) 3,993,002 A 11/1976 Stroh  
 4,004,819 A 1/1977 Brongo

(\*\*) Term: **14 Years**

(21) Appl. No.: **29/275,868**

(Continued)

(22) Filed: **Jan. 9, 2007**

*Primary Examiner*—Caron D. Veynar  
*Assistant Examiner*—Sydney R. Buffalow  
 (74) *Attorney, Agent, or Firm*—Michael Best & Friedrich LLP

(51) **LOC (8) Cl.** ..... **06-01**

(52) **U.S. Cl.** ..... **D6/465**

(58) **Field of Classification Search** ..... D6/458,  
 D6/511, 465, 460, 463, 464, 461; 211/163,  
 211/34, 36, 37, 78, 166, 181.1, 205, 196,  
 211/144, 187, 133.5, 131.5  
 See application file for complete search history.

(57) **CLAIM**

The ornamental design for a revolving stand-alone wire display shelving unit, as shown.

(56) **References Cited**

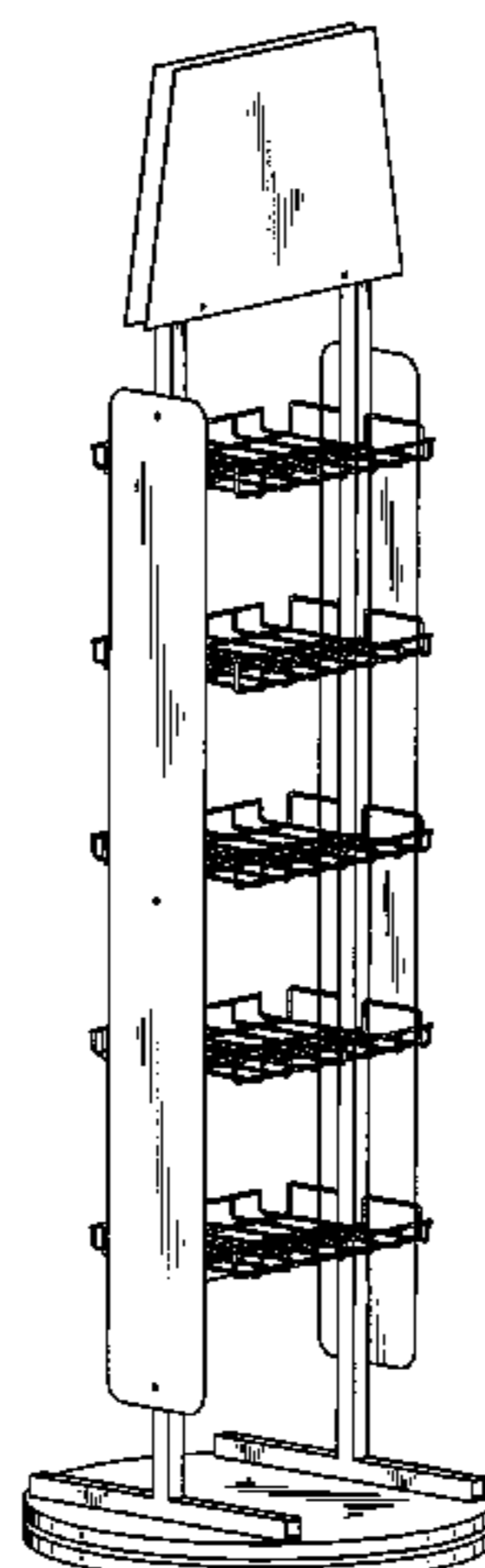
U.S. PATENT DOCUMENTS

- 725,851 A 4/1903 Kopp  
 D89,907 S 5/1933 McGarry  
 1,971,744 A 8/1934 Brykczynski et al.  
 D114,228 S 4/1939 May  
 D130,415 S 11/1941 Pitner et al.  
 2,316,892 A 4/1943 Saul, Jr.  
 D154,111 S 6/1949 Falkenberg  
 2,579,704 A 12/1951 Saul, Jr.  
 2,648,442 A 8/1953 Lowmaster  
 D184,190 S 12/1958 McCowan  
 2,959,298 A 11/1960 Pope  
 D190,107 S 4/1961 Glaser  
 3,081,718 A 3/1963 Shoffner  
 3,186,527 A 6/1965 Konstant et al.  
 3,199,683 A 8/1965 Graswich  
 3,294,351 A 12/1966 Rollins, Jr.  
 3,311,072 A 3/1967 Pattison  
 3,403,789 A 10/1968 Morte et al.  
 3,527,339 A 9/1970 Ambertson  
 3,575,484 A 4/1971 Kesling

**DESCRIPTION**

- FIG. 1 is a perspective view of the revolving stand-alone wire display shelving unit;  
 FIG. 2 is a front view of the revolving stand-alone wire display shelving unit;  
 FIG. 3 is a rear view of the revolving stand-alone wire display shelving unit;  
 FIG. 4 is a left side view of the revolving stand-alone wire display shelving unit;  
 FIG. 5 is a right side view of the revolving stand-alone wire display shelving unit;  
 FIG. 6 is a top plan view of the revolving stand-alone wire display shelving unit; and,  
 FIG. 7 is a bottom plan view of the revolving stand-alone wire display shelving unit.

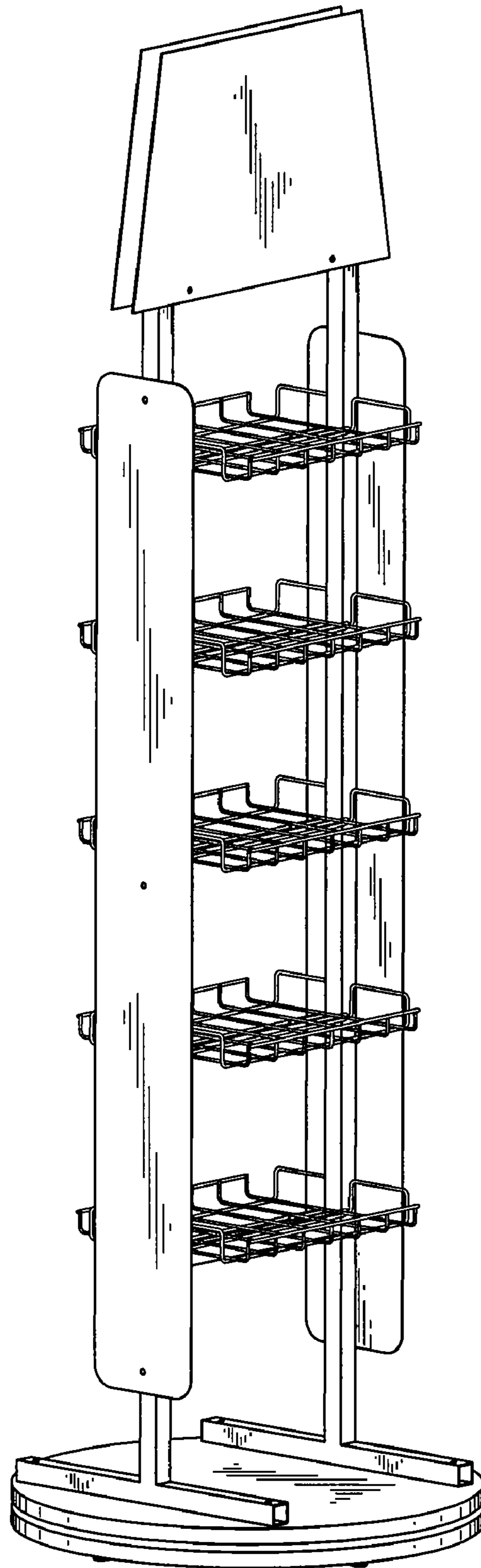
**1 Claim, 4 Drawing Sheets**



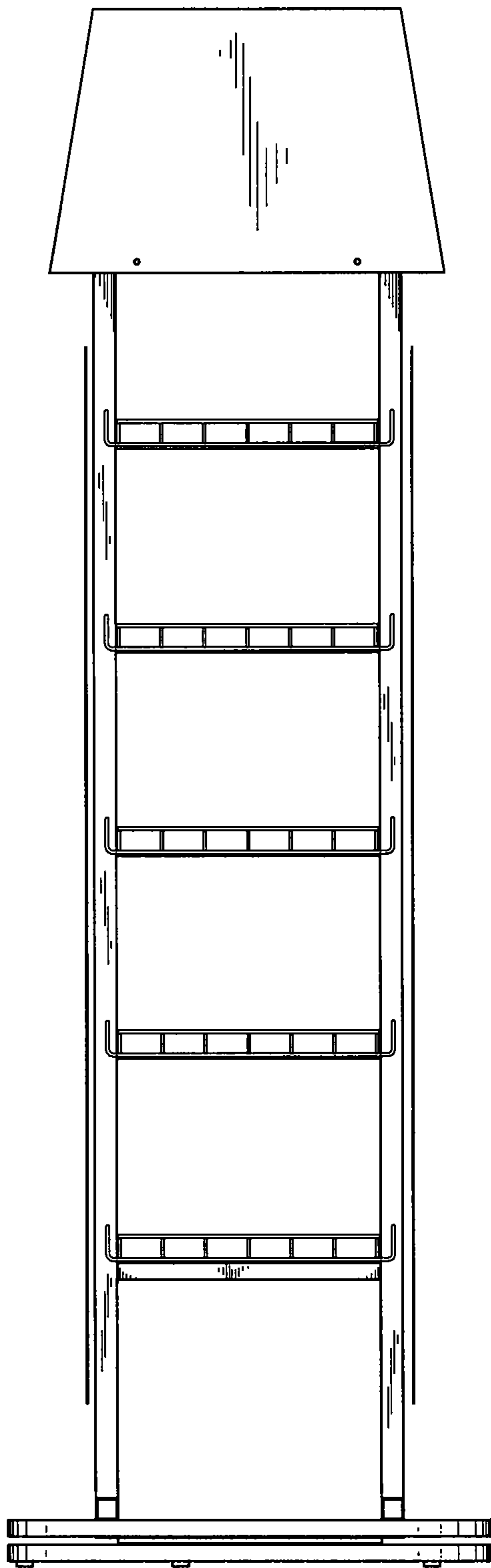
# US D565,324 S

Page 2

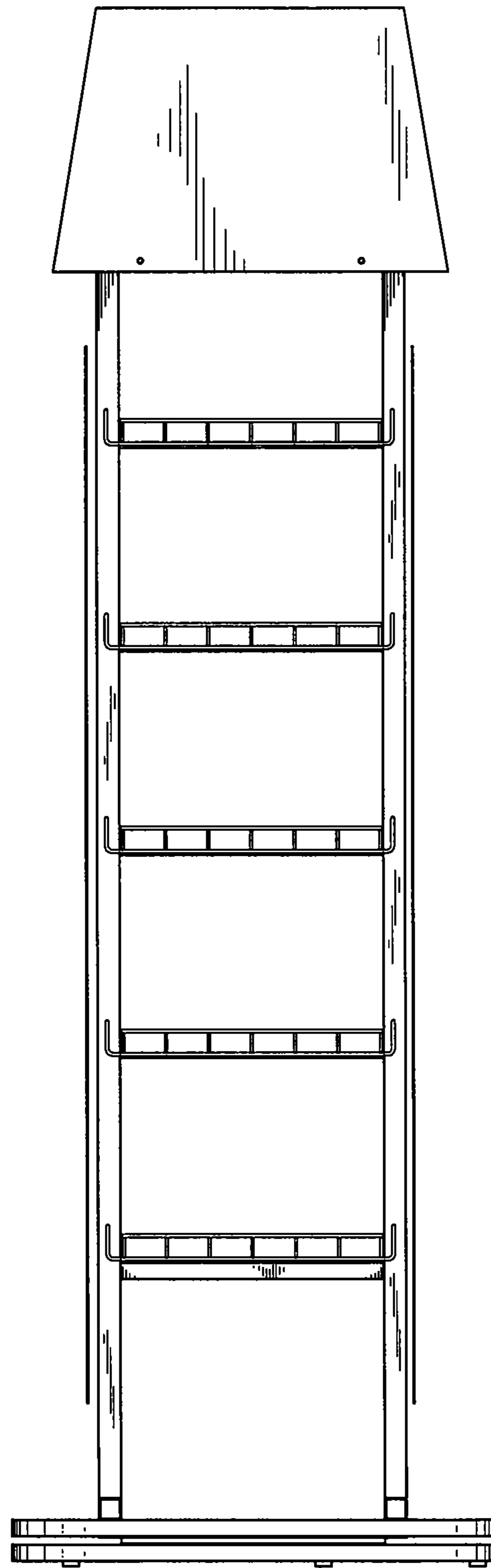
U.S. PATENT DOCUMENTS					
D243,891	S	4/1977 Snyder	D373,913	S	9/1996 Wyatt et al.
4,045,043	A	8/1977 Fourrey	5,601,038	A	2/1997 Welch et al.
D246,773	S	12/1977 Bladis	5,628,257	A	5/1997 Conner et al.
4,086,858	A	5/1978 Howitt	5,641,083	A	6/1997 Metcalf
4,093,077	A	6/1978 Strasser	5,645,182	A	7/1997 Miller, Jr. et al.
4,109,797	A	8/1978 Brunette	5,704,497	A	1/1998 Wyatt
4,122,955	A	10/1978 Celms	5,718,441	A	2/1998 Kern et al.
D252,967	S	9/1979 Denhoff	5,797,502	A	8/1998 Brady et al.
4,231,301	A	11/1980 Barrineau, III	5,806,820	A	9/1998 Simon
D259,161	S	5/1981 Thauer	5,868,263	A	2/1999 McAllister et al.
4,292,902	A	10/1981 Barrineau	5,899,041	A	5/1999 Durin
4,297,952	A	11/1981 Zagaroli	5,915,097	A	6/1999 Young, Jr.
4,302,025	A	11/1981 Waddell et al.	6,095,347	A	8/2000 Mauro-Vetter
4,397,606	A	8/1983 Bruton	D430,432	S	9/2000 Mason
4,428,304	A	1/1984 Moser	6,116,436	A	9/2000 Ferrucci et al.
4,444,323	A	4/1984 Travis	D431,937	S	10/2000 Heiny et al.
4,492,169	A	1/1985 Ware et al.	D432,332	S	10/2000 Kashima
D282,127	S	1/1986 Weiller	D435,743	S	1/2001 Glauth et al.
4,588,096	A	5/1986 Story et al.	D436,756	S	1/2001 Kashima
4,606,280	A	8/1986 Poulton et al.	6,203,029	B1	3/2001 Ondrasik
D285,991	S	10/1986 Madsen	6,299,001	B1	10/2001 Frolov et al.
4,624,376	A	11/1986 Bertram	D451,024	S	11/2001 Glauth et al.
4,627,542	A	12/1986 Fredrickson	D451,704	S	12/2001 Curci
D288,038	S	2/1987 Henning	6,332,547	B1	12/2001 Shaw et al.
D288,640	S	3/1987 Campbell	6,364,137	B1	4/2002 Glauth et al.
D289,353	S	4/1987 Davis et al.	6,386,096	B1	5/2002 Tiemann
4,776,472	A	10/1988 Rosen	6,419,098	B1	7/2002 Hall
D306,805	S	3/1990 Larson et al.	D478,739	S	8/2003 Sparkowski
4,932,333	A	6/1990 Jensen et al.	D478,745	S	8/2003 Sparkowski
4,951,827	A	8/1990 Moransais	6,605,777	B1	8/2003 Anderson et al.
4,986,555	A	1/1991 Andreen	6,607,083	B1	8/2003 Webb
D315,459	S	3/1991 Young et al.	6,669,213	B2	12/2003 Woerner
4,996,929	A	3/1991 Saal	D486,982	S	2/2004 Hessell
4,999,862	A	3/1991 Hefty	6,726,035	B2	4/2004 Zadak
D317,094	S	5/1991 Weinberg et al.	6,729,484	B2	5/2004 Sparkowski
D318,585	S	7/1991 Duff et al.	6,749,208	B2	6/2004 Orozco et al.
5,029,895	A	7/1991 Anderson	6,773,081	B2	8/2004 Yuyama et al.
5,062,605	A	11/1991 Muhlethaler	D497,738	S	11/2004 Sparkowski
5,072,839	A	12/1991 Arnone	6,811,163	B1	11/2004 Gurulect et al.
D325,480	S	4/1992 Krautsack	6,811,164	B2	11/2004 Trogstam
D326,970	S	6/1992 Allen	D500,419	S	1/2005 Sparkowski
5,160,051	A	11/1992 Bustos	6,874,430	B1	4/2005 McCandless
D334,859	S	4/1993 Homann	6,880,708	B2	4/2005 Boron
5,240,127	A	8/1993 Levin et al.	6,883,881	B2	4/2005 Gauss
5,273,248	A	12/1993 Grander	6,918,498	B2	7/2005 Sparkowski
5,326,062	A	7/1994 Remmers	6,935,523	B2	8/2005 Ahn
5,351,842	A	10/1994 Remmers	D515,336	S	2/2006 Sparkowski
5,383,562	A	1/1995 Gay	D520,265	S	5/2006 Sparkowski
5,397,087	A	3/1995 Teece	D526,818	S	8/2006 Sparkowski
5,450,971	A	9/1995 Boron et al.	D534,375	S	1/2007 Sparkowski
5,480,039	A	1/1996 Merl	D534,376	S	1/2007 Sparkowski
5,482,168	A	1/1996 Welch et al.	2002/0130098	A1	9/2002 Simard
D369,036	S	4/1996 Wyatt et al.	2004/0007549	A1	1/2004 Klein et al.
D369,037	S	4/1996 Wyatt et al.	2004/0011752	A1	1/2004 Zadak
			2004/0089625	A1	5/2004 Tsai



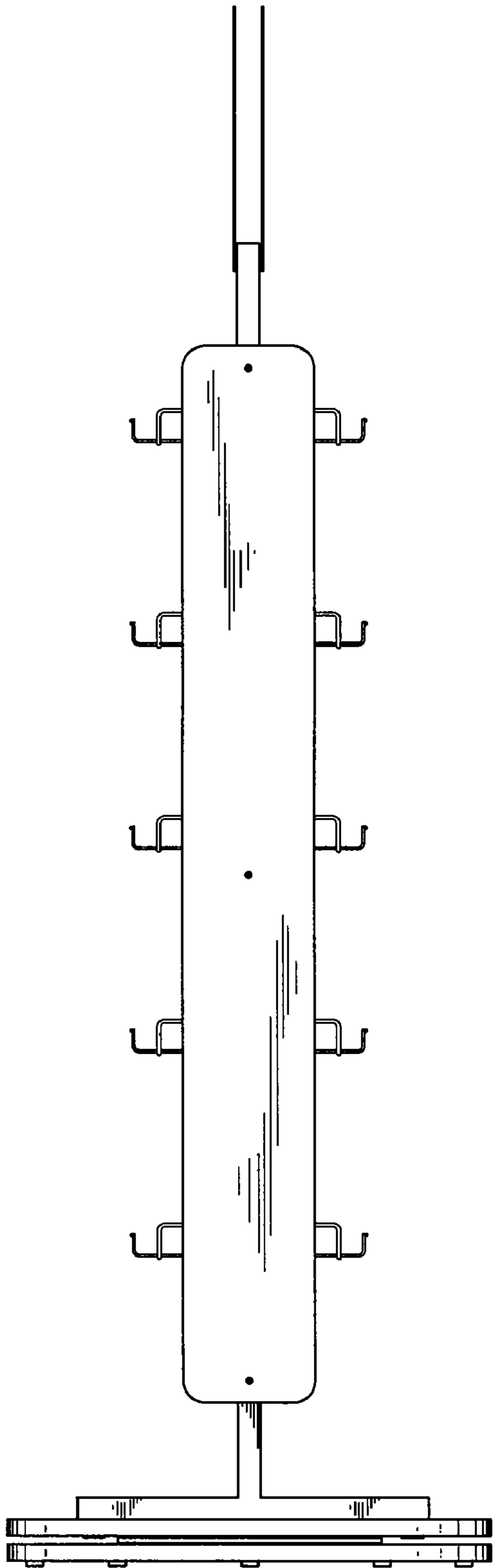
**FIG. 1**



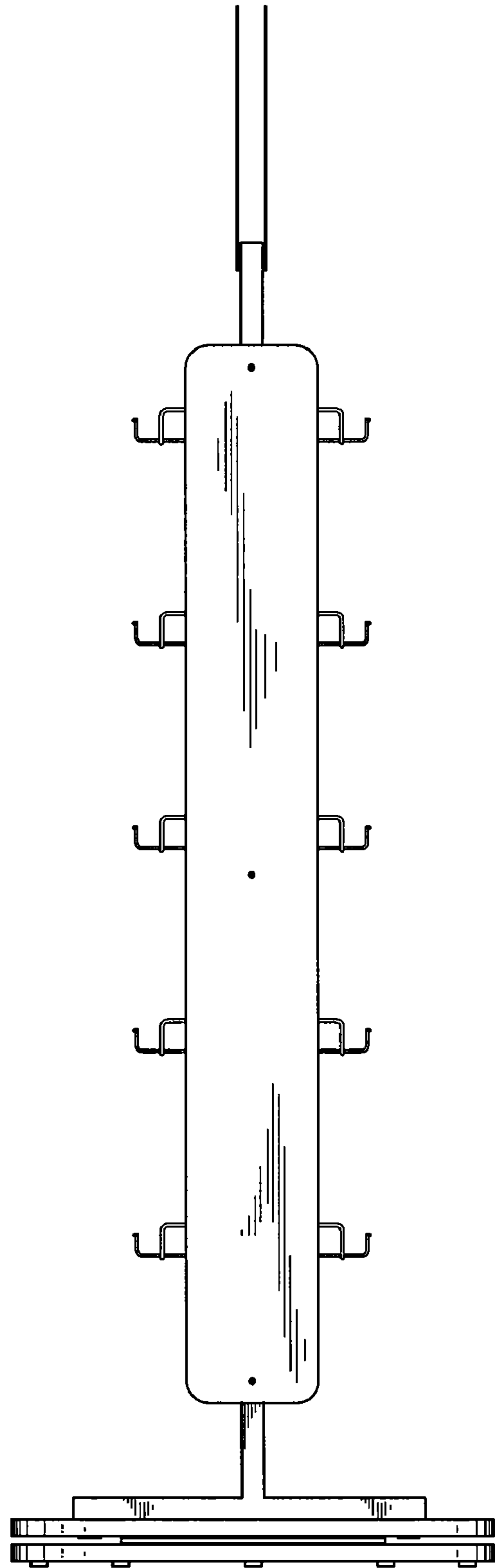
**FIG. 2**



**FIG. 3**

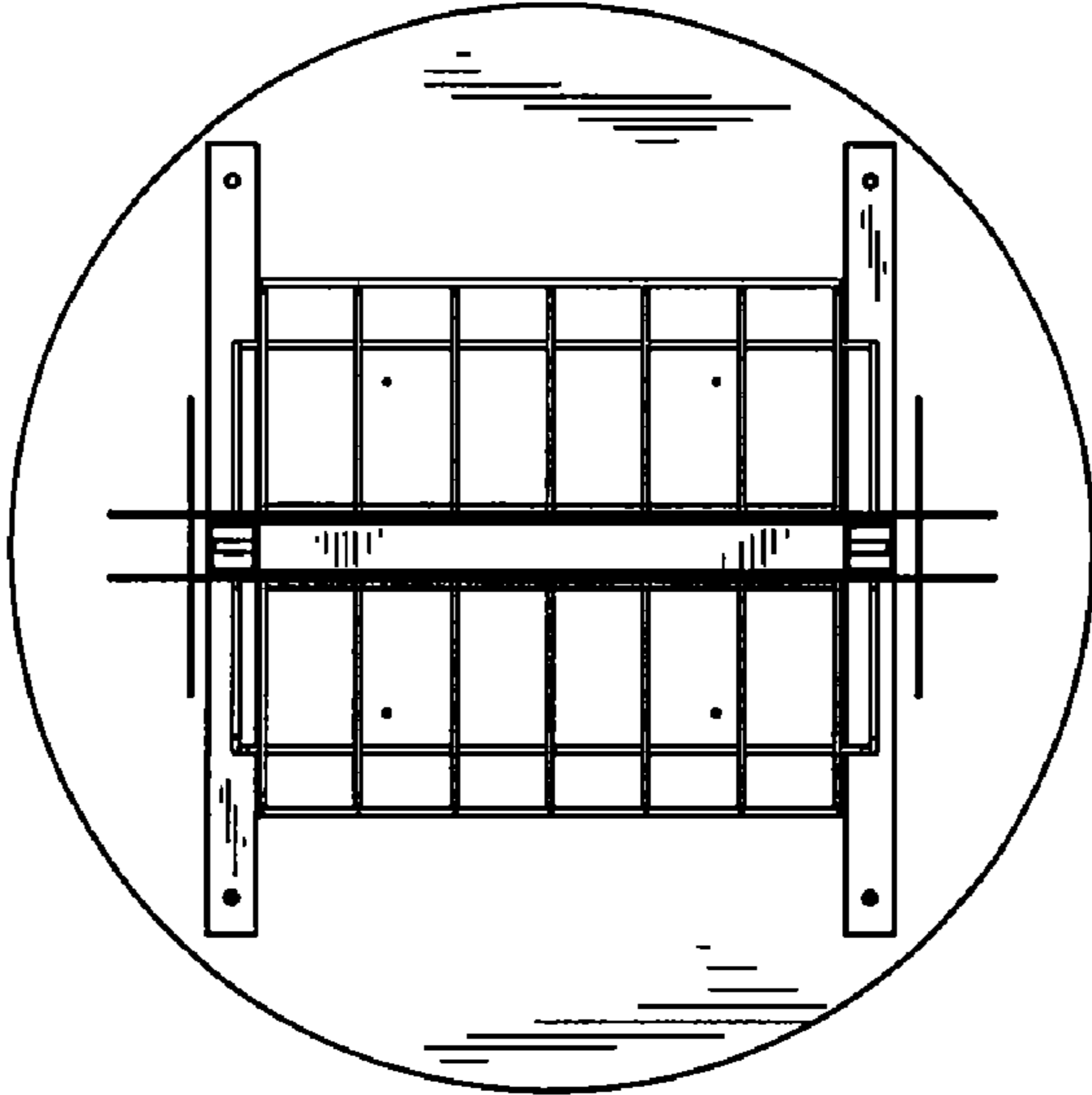


**FIG. 4**

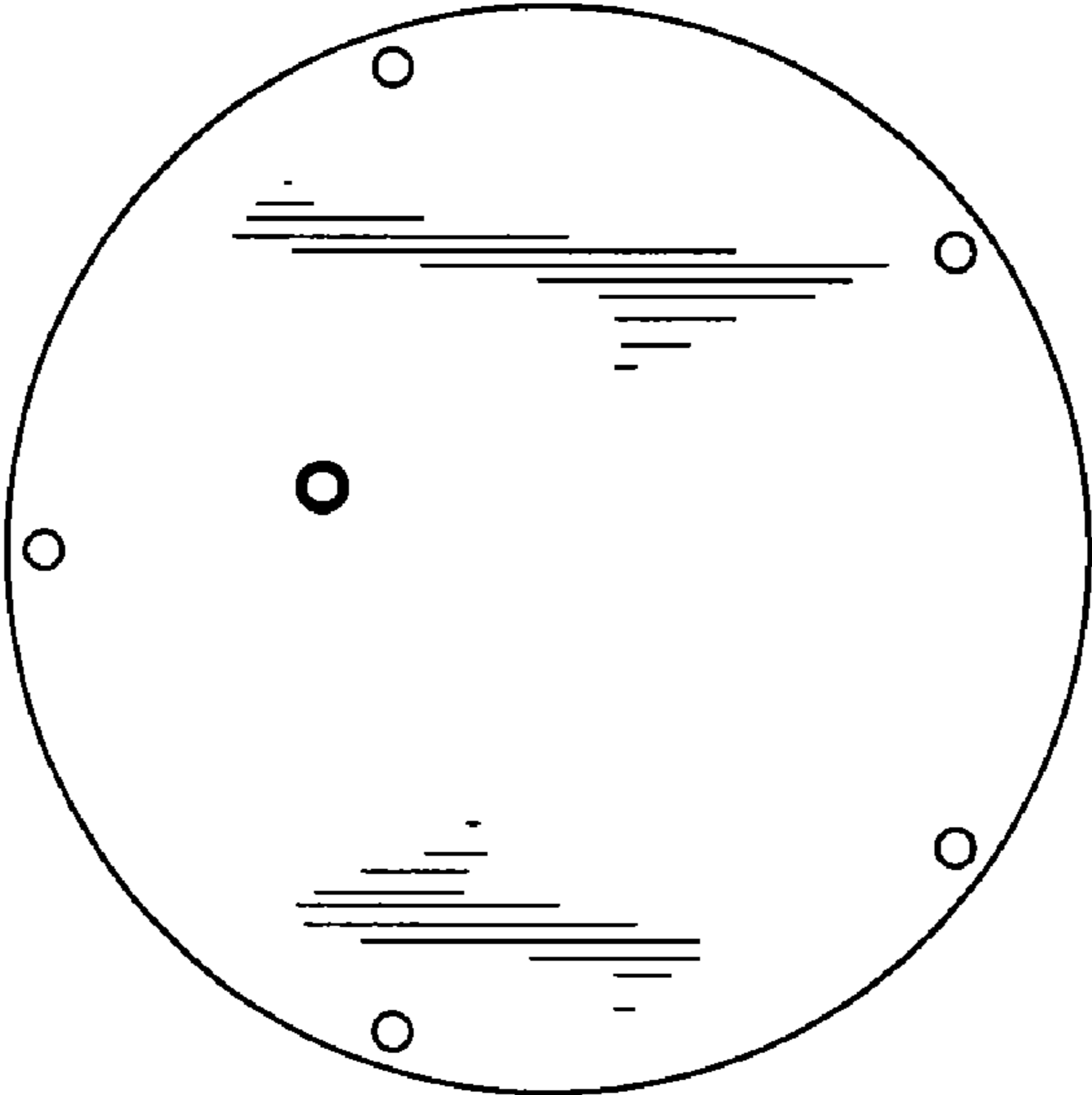


**FIG. 5**





**FIG. 6**



**FIG. 7**