



US00D565320S

(12) **United States Design Patent**
Wenskowski

(10) **Patent No.:** **US D565,320 S**

(45) **Date of Patent:** **** Apr. 1, 2008**

(54) **WORKBENCH**

(75) Inventor: **Joerg Wenskowski**, Bexbach (DE)

(73) Assignee: **H.G.V. Haus und Garten-Marketing und Vertriebsgesellschaft mbH**, Bexbach (DE)

(**) Term: **14 Years**

(21) Appl. No.: **29/241,927**

(22) Filed: **Nov. 3, 2005**

(30) **Foreign Application Priority Data**

May 3, 2005 (DE) 4 05 02 356

(51) **LOC (8) Cl.** **06-02**

(52) **U.S. Cl.** **D6/400**

(58) **Field of Classification Search** D6/400;
D12/130; 280/47.17, 47.18, 47.19, 47.24,
280/47.34, 47.35, 79.3, 638, 639, 651, 652;
144/286.5; 74/545; 269/139

See application file for complete search history.

(56) **References Cited**

U.S. PATENT DOCUMENTS

4,034,684	A *	7/1977	Carson et al.	108/127
4,061,305	A *	12/1977	Beekenkamp	248/432
4,073,484	A *	2/1978	Beekenkamp	269/329
4,154,435	A *	5/1979	Alessio	269/139
4,155,386	A *	5/1979	Alessio	144/286.1
D253,212	S *	10/1979	Maruscak et al.	D6/400
D256,533	S *	8/1980	Alessio	D6/400
D256,641	S *	9/1980	Wilson et al.	D6/400
4,252,304	A *	2/1981	Pettican	269/139
4,278,243	A *	7/1981	Alessio	269/16
4,483,524	A *	11/1984	Basten et al.	269/139
4,909,491	A *	3/1990	Cheng	269/16
4,967,925	A *	11/1990	Feniello	220/524
D374,996	S *	10/1996	Noniewicz	D6/400

D386,624	S *	11/1997	Meisner et al.	D6/400
5,806,947	A *	9/1998	Meisner et al.	312/280
5,924,684	A *	7/1999	Cheng	269/139
D432,810	S *	10/2000	Eckhoff et al.	D6/400
D448,948	S *	10/2001	Wolff	D6/400
D482,208	S *	11/2003	Fortin et al.	D6/400
6,769,674	B2 *	8/2004	Chang	269/139
6,883,793	B2 *	4/2005	Fortin et al.	269/139
7,021,637	B2 *	4/2006	Snider et al.	280/37
D520,775	S *	5/2006	Liu et al.	D6/400
2003/0214088	A1 *	11/2003	Chang	269/139
2004/0262466	A1 *	12/2004	Blattner	248/166
2005/0166731	A1 *	8/2005	Jones	83/13
2007/0018371	A1 *	1/2007	Campbell et al.	269/139
2007/0131306	A1 *	6/2007	Snider	144/286.1

* cited by examiner

Primary Examiner—Robert M. Spear

Assistant Examiner—George D Kirschbaum

(74) *Attorney, Agent, or Firm*—Birch, Stewart, Kolasch & Birch, LLP

(57) **CLAIM**

The ornamental design for a workbench, as shown and described.

DESCRIPTION

FIG. 1 is a left, front perspective view of a workbench showing my new design;

FIG. 2 is a front elevational view of the workbench of FIG. 1, the rear elevational view being a mirror image thereof;

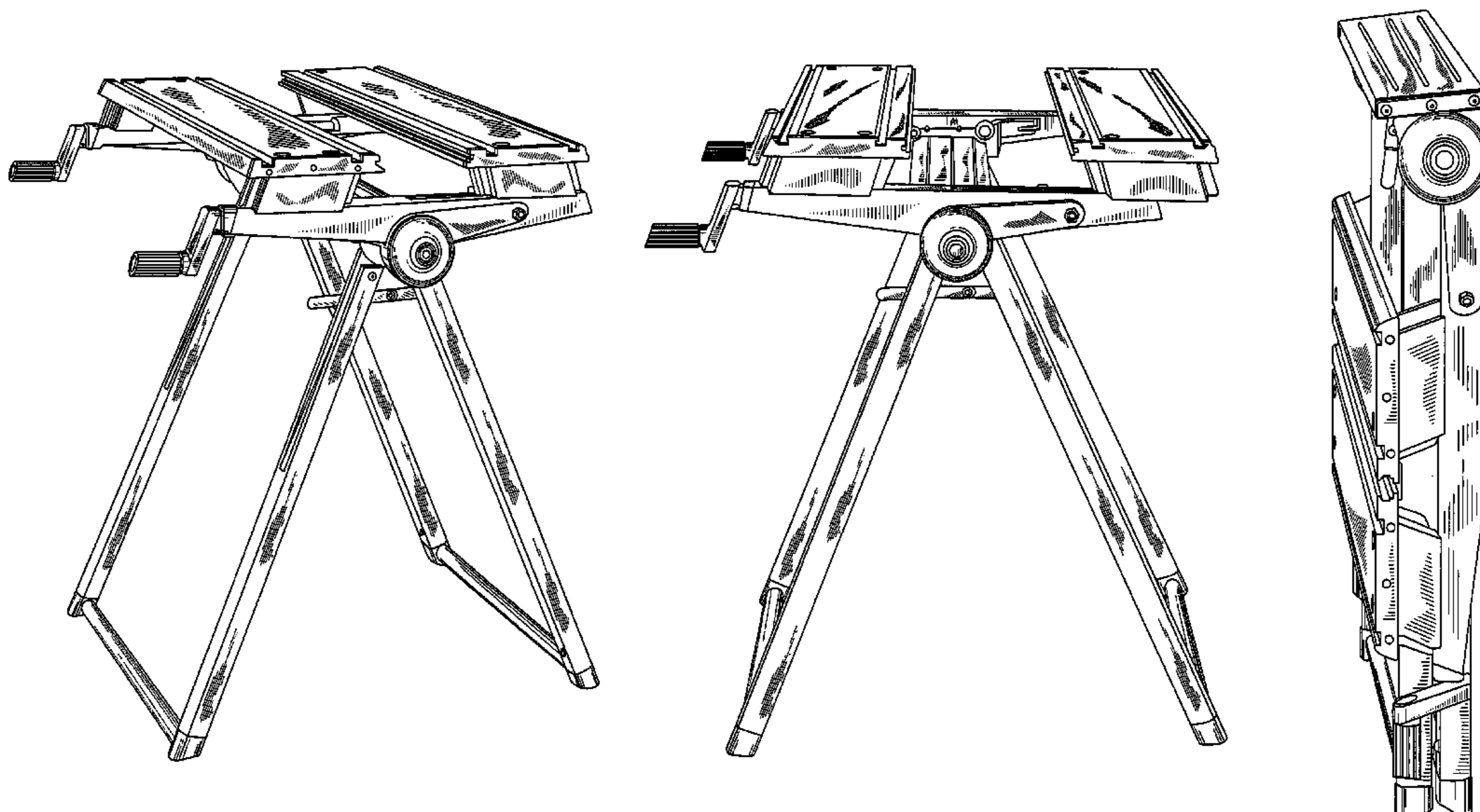
FIG. 3 is a top plan of the workbench of FIG. 1;

FIG. 4 is a right side view of the workbench of FIG. 1; and,

FIG. 5 is a front elevational view of the workbench when in a collapsed condition, the rear elevational view being a mirror image thereof;

The bottom of the workbench is unornamented.

1 Claim, 5 Drawing Sheets



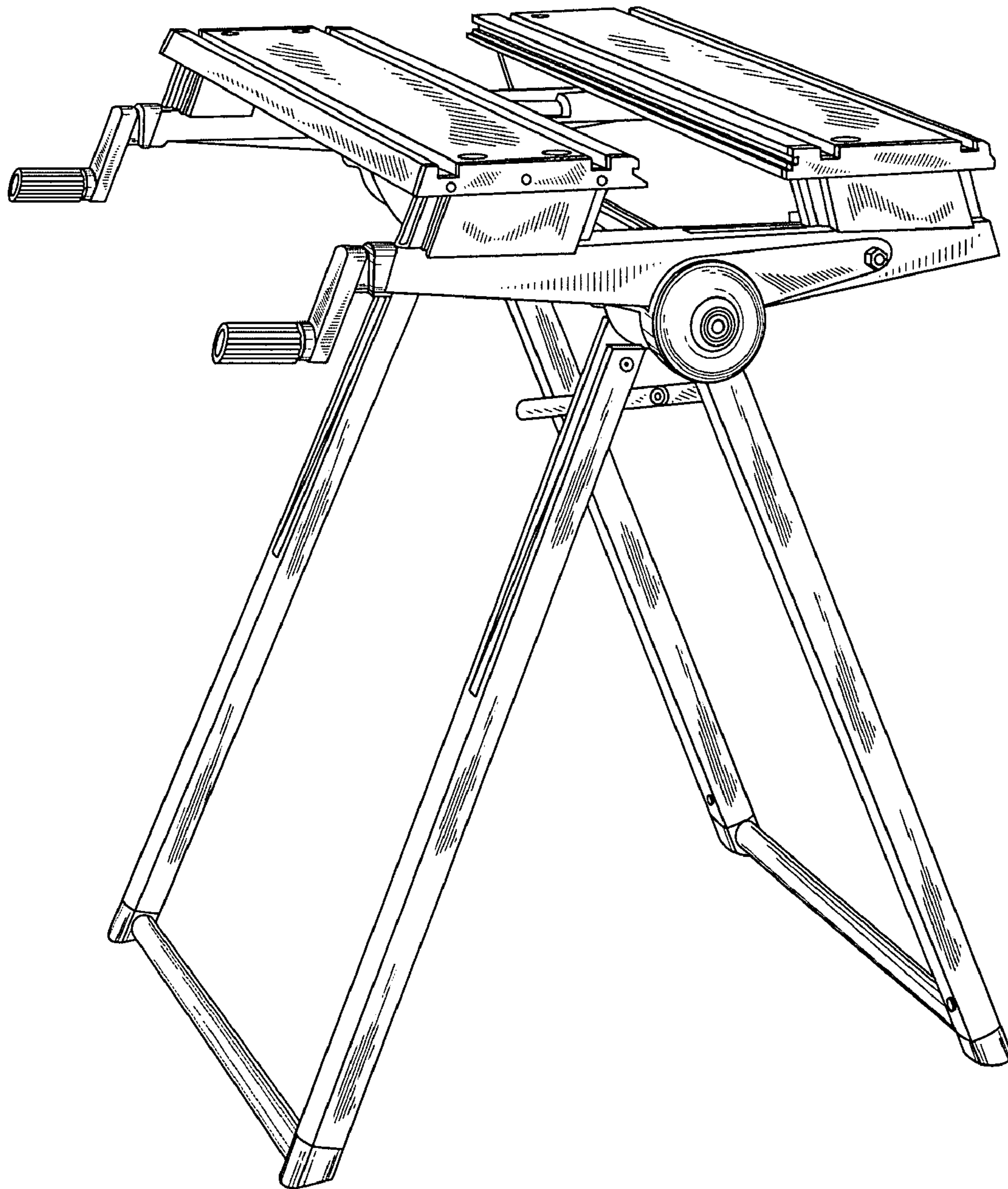


FIG. 1

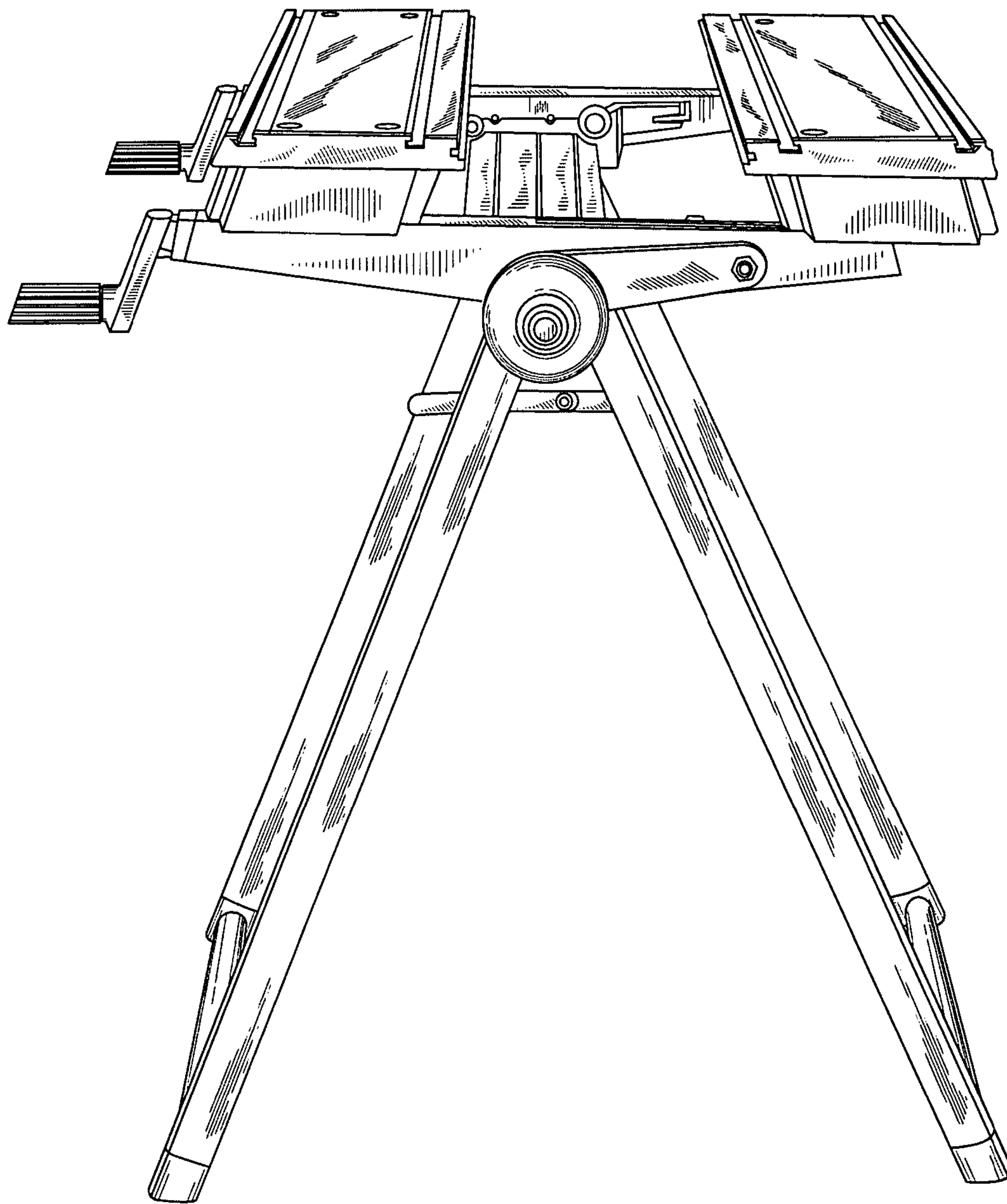


FIG. 2

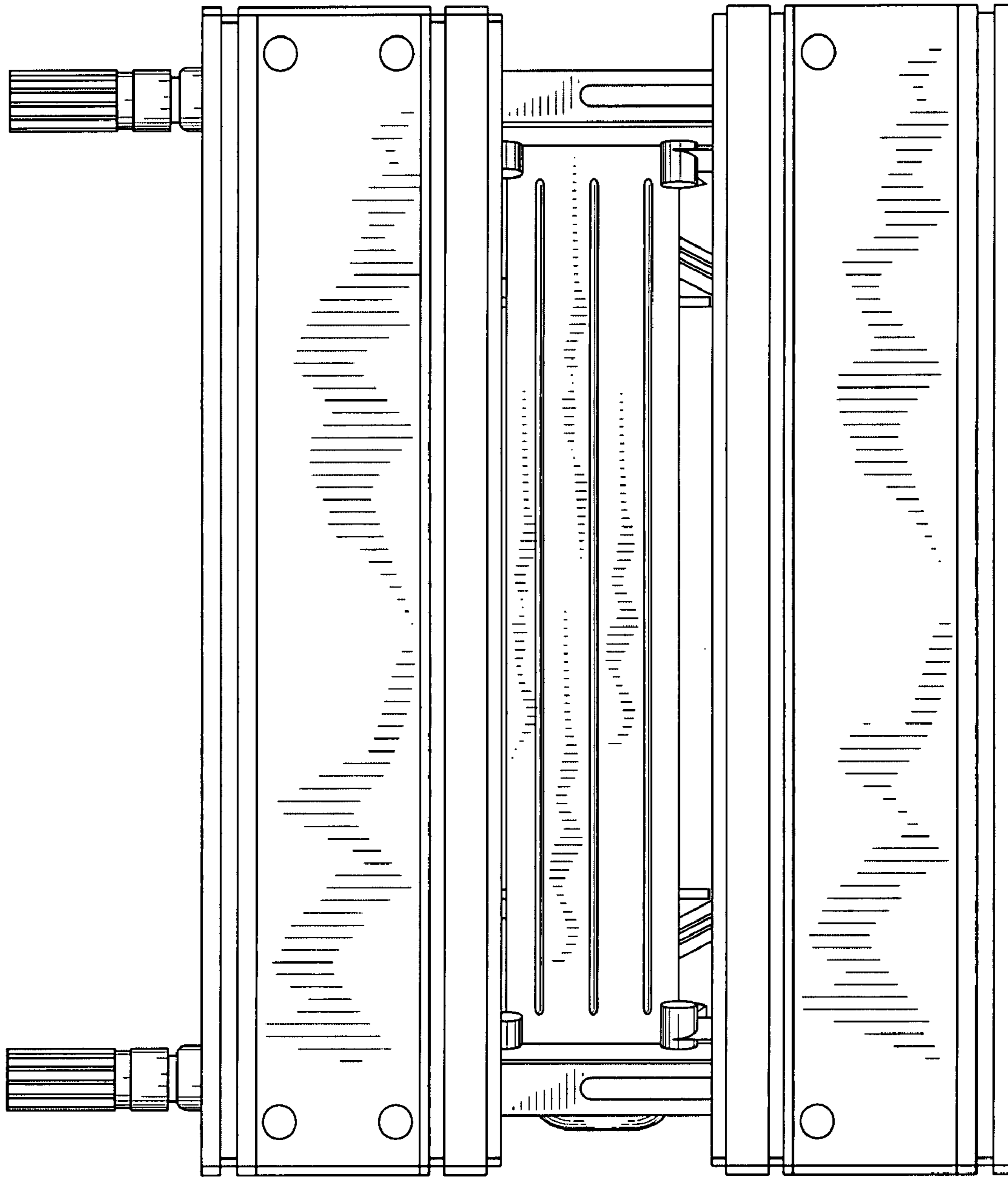


FIG. 3

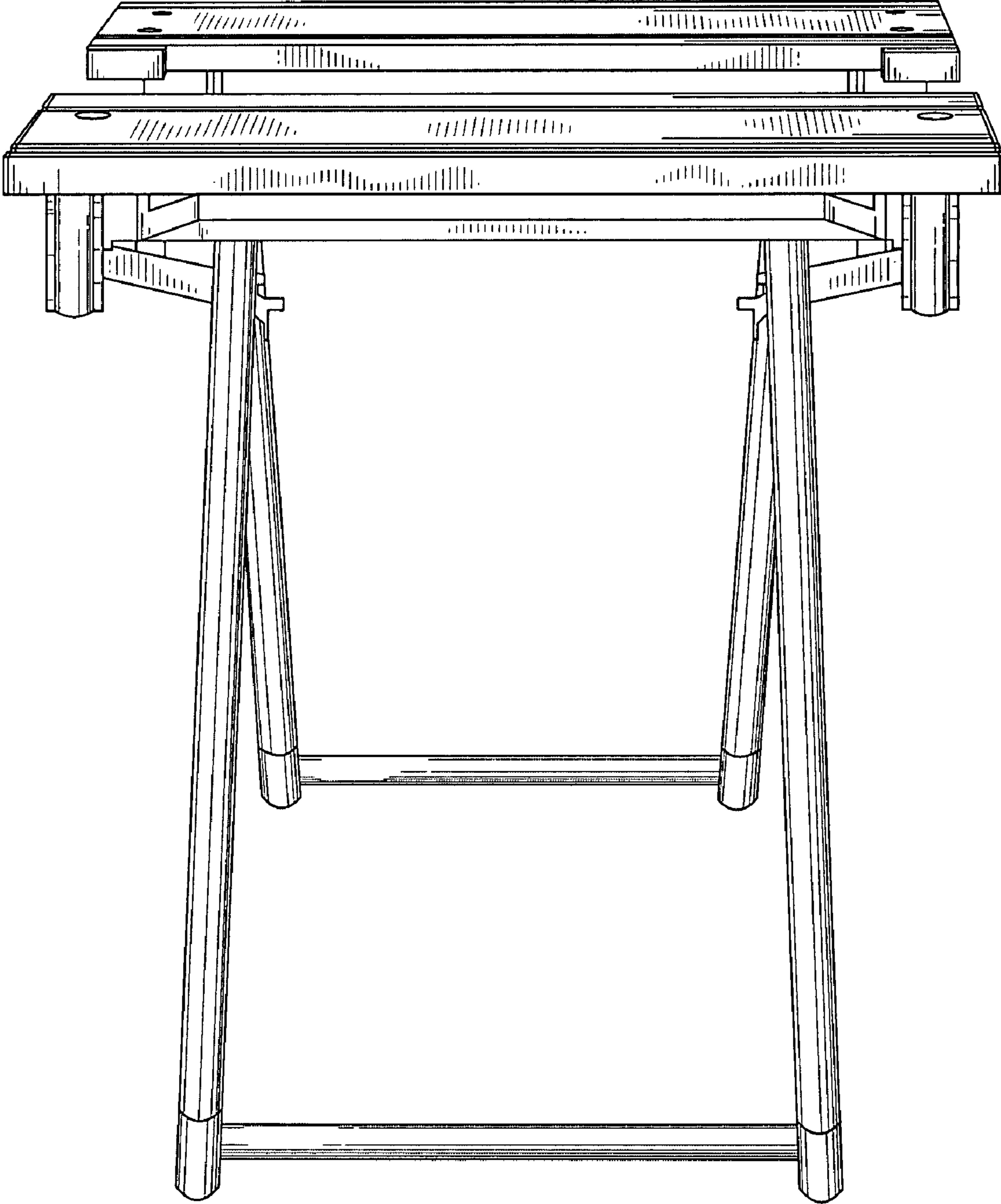


FIG. 4

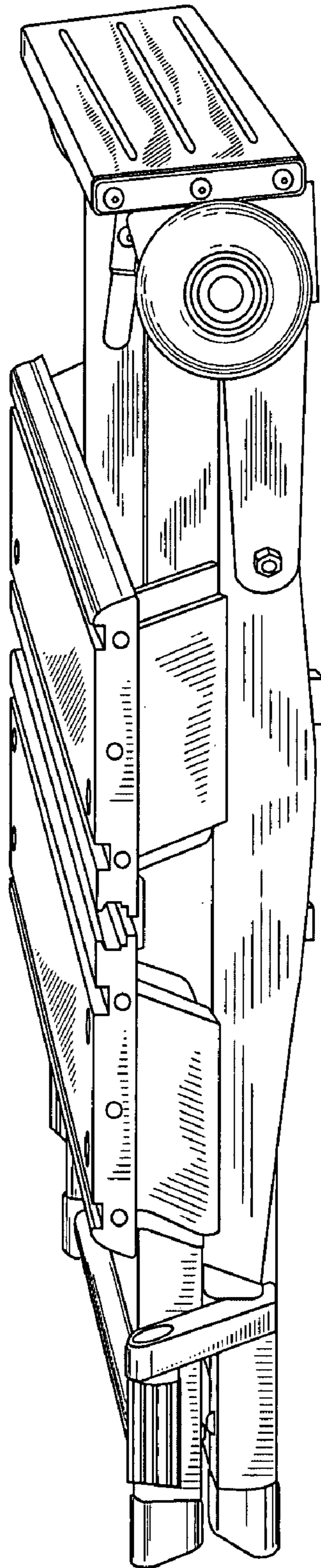


FIG. 5