



US00D565316S

(12) **United States Design Patent**
Ng

(10) **Patent No.:** **US D565,316 S**

(45) **Date of Patent:** **** Apr. 1, 2008**

(54) **MESSAGE CHAIR**

(75) Inventor: **Elwyn Kwang Ling Ng**, Singapore
(SG)

(73) Assignee: **OSIM International Ltd.**, Singapore
(SG)

(**) Term: **14 Years**

(21) Appl. No.: **29/282,202**

(22) Filed: **Jul. 13, 2007**

(51) **LOC (8) Cl.** **06-01**

(52) **U.S. Cl.** **D6/367**

(58) **Field of Classification Search** D6/334–336,
D6/360, 361, 367, 371, 373, 379, 500–502;
297/68, 271.1, 271.2, 271.3, 411.45, 423.19,
297/423.3, 353, 354.1, 217.1; 601/49, 57–59,
601/97–99, 102, 115, 116, 148, 149
See application file for complete search history.

(56) **References Cited**

U.S. PATENT DOCUMENTS

D502,607 S * 3/2005 Miyake et al. D6/335
D517,337 S * 3/2006 Mori D6/367
D536,891 S * 2/2007 Miyake et al. D6/367
D537,262 S * 2/2007 Lifeng D6/367

D537,643 S * 3/2007 Miyake D6/367
D537,644 S * 3/2007 Kawamura D6/367
D538,056 S * 3/2007 Lifeng D6/367
D544,224 S * 6/2007 Zhuo D6/367

* cited by examiner

Primary Examiner—Mimosa De

(74) *Attorney, Agent, or Firm*—Baker & McKenzie LLP

(57) **CLAIM**

The ornamental design for a massage chair, as shown and described.

DESCRIPTION

FIG. 1 is a front view of a massage chair showing my new design;

FIG. 2 is a back view thereof;

FIG. 3 is a top view thereof;

FIG. 4 is a bottom view thereof;

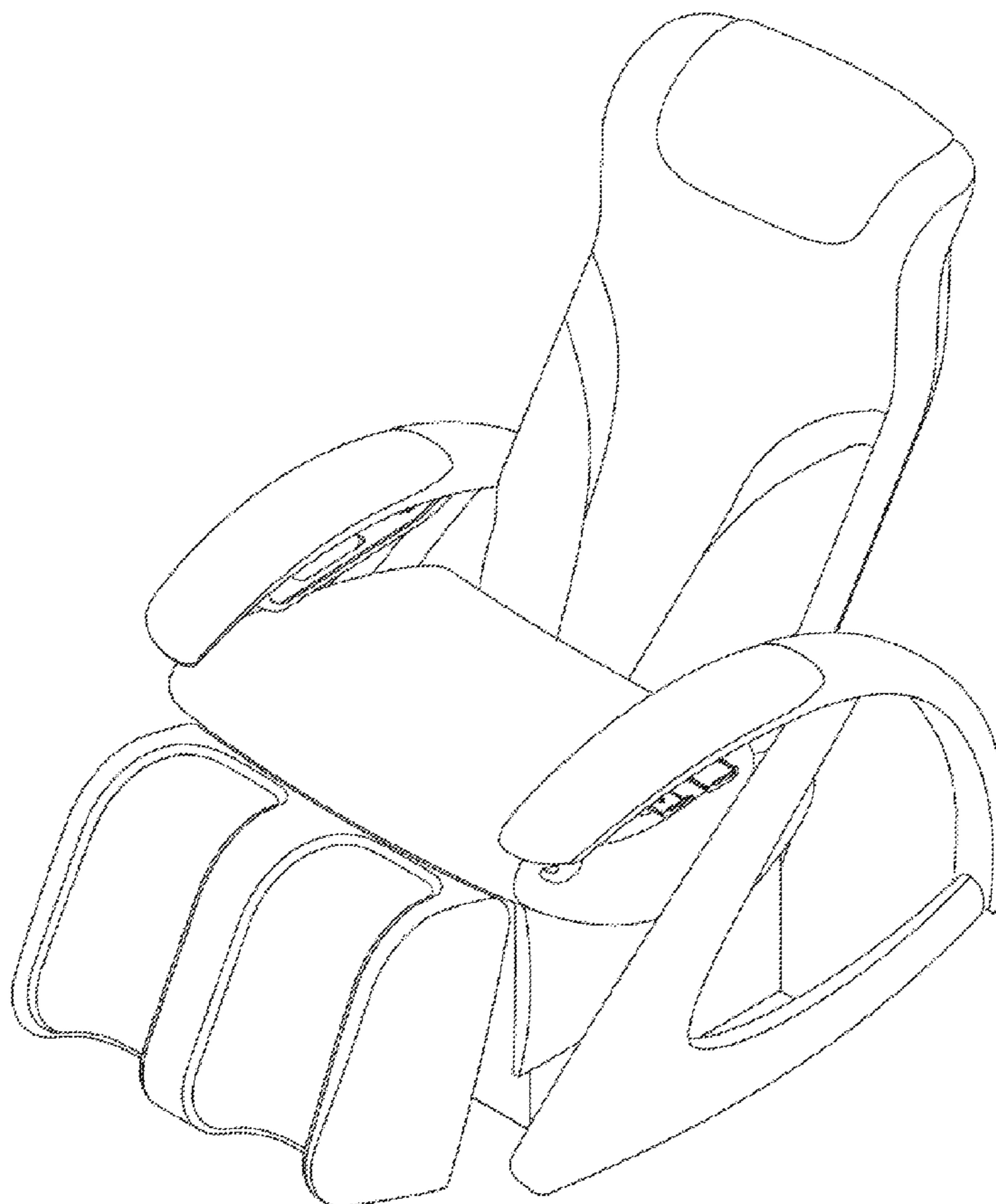
FIG. 5 is a right side view thereof;

FIG. 6 is a left side view thereof;

FIG. 7 is an isometric front view thereof; and,

FIG. 8 is an isometric back view thereof.

1 Claim, 8 Drawing Sheets



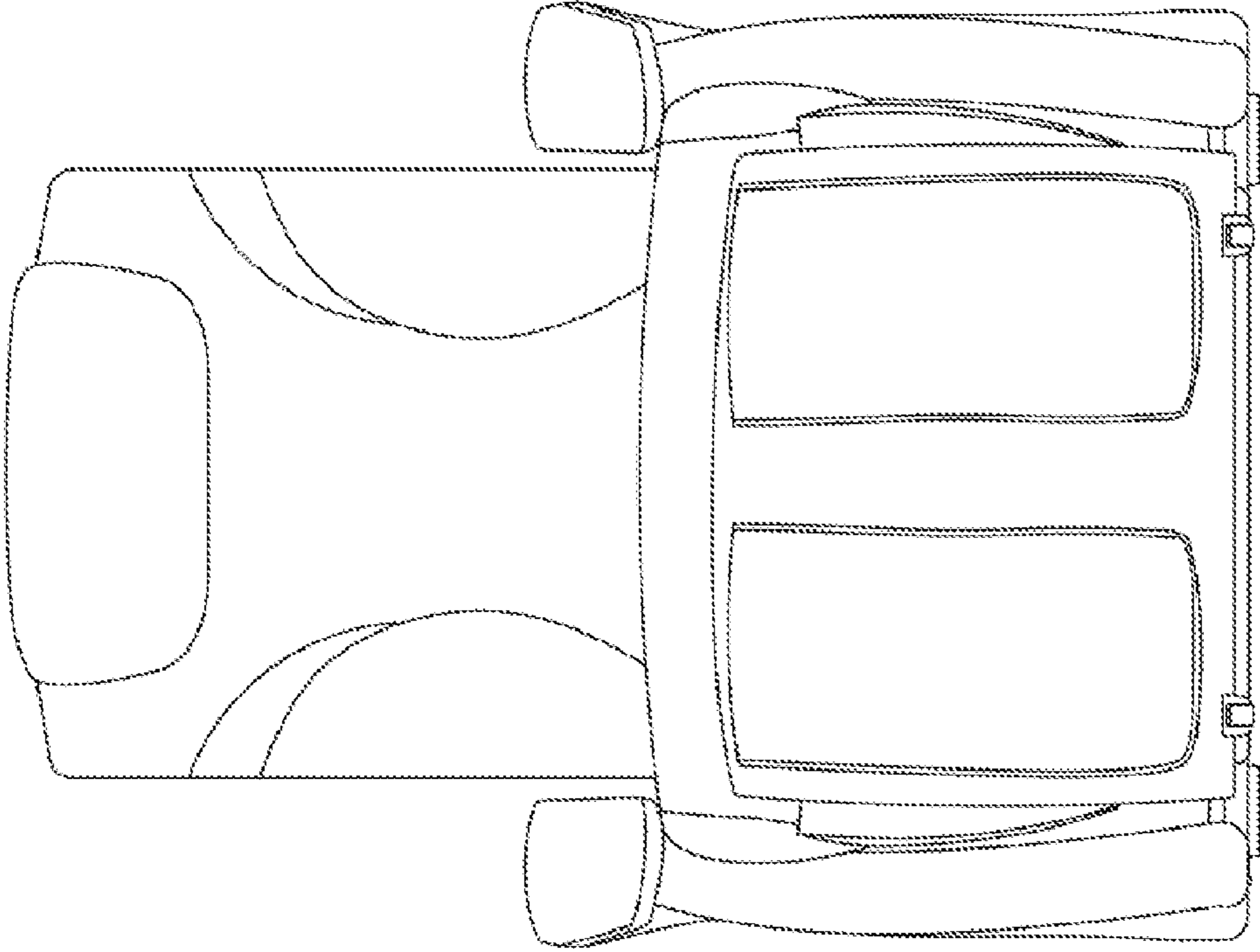


Fig. 1

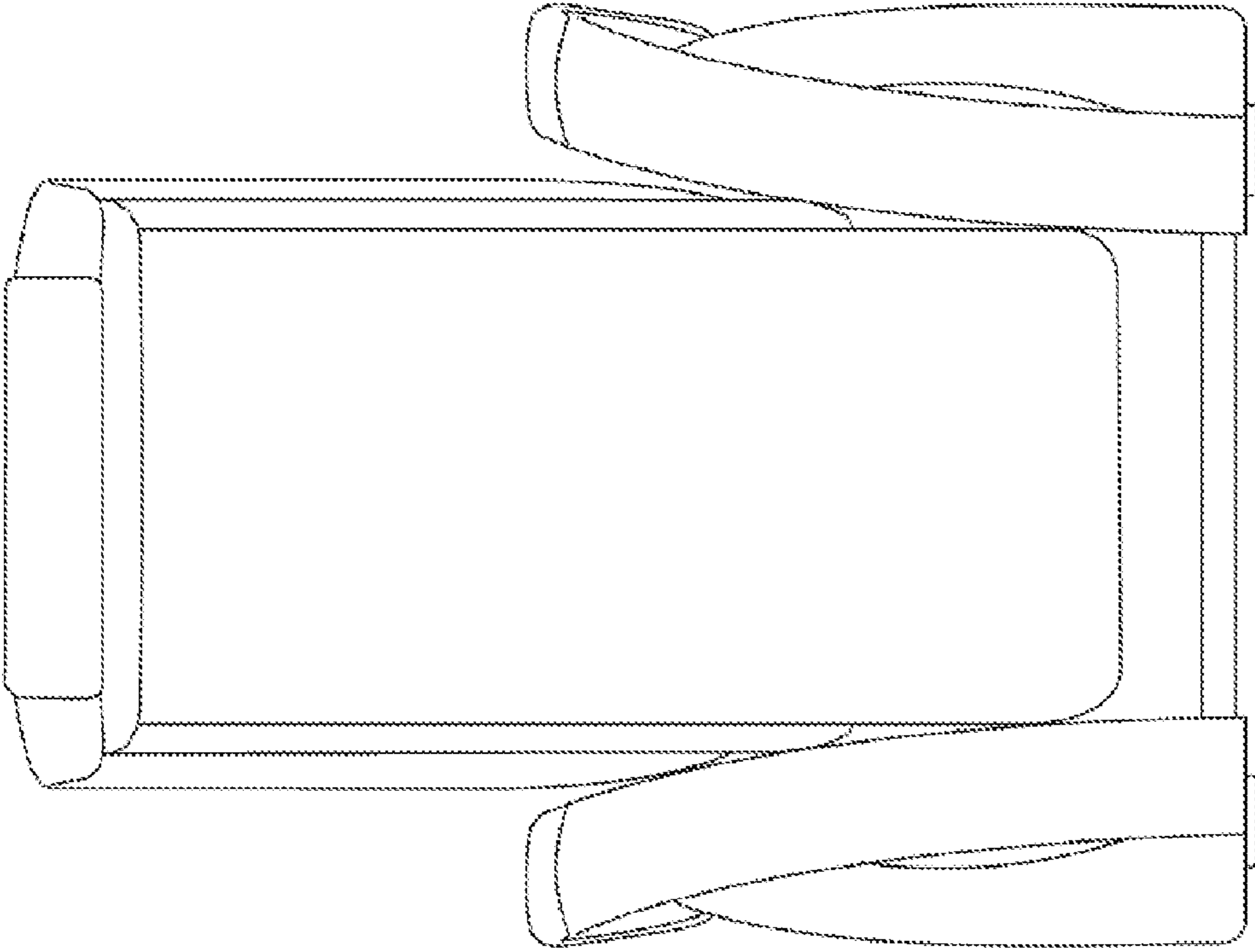


Fig. 2

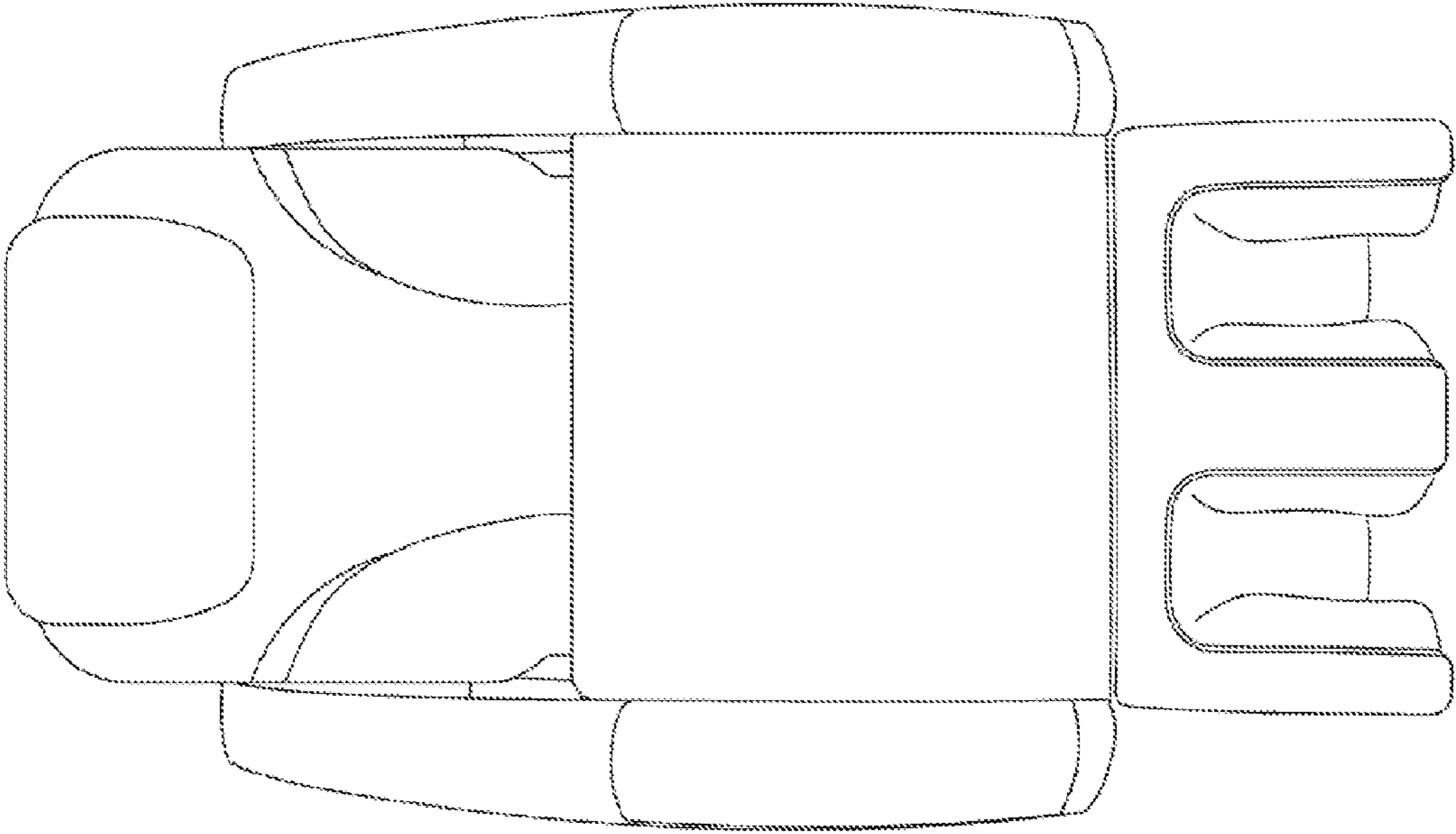


Fig. 3

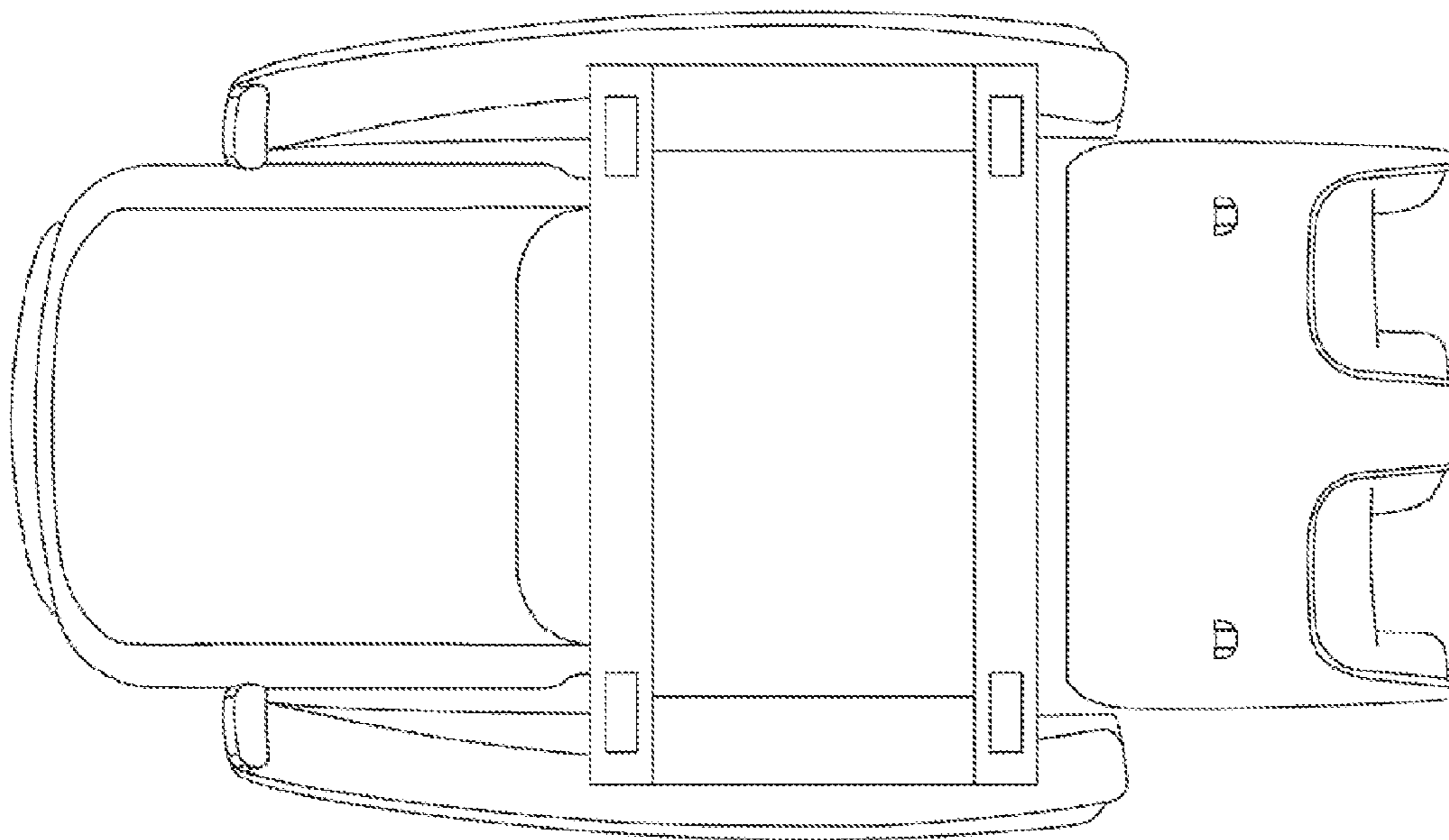


Fig. 4

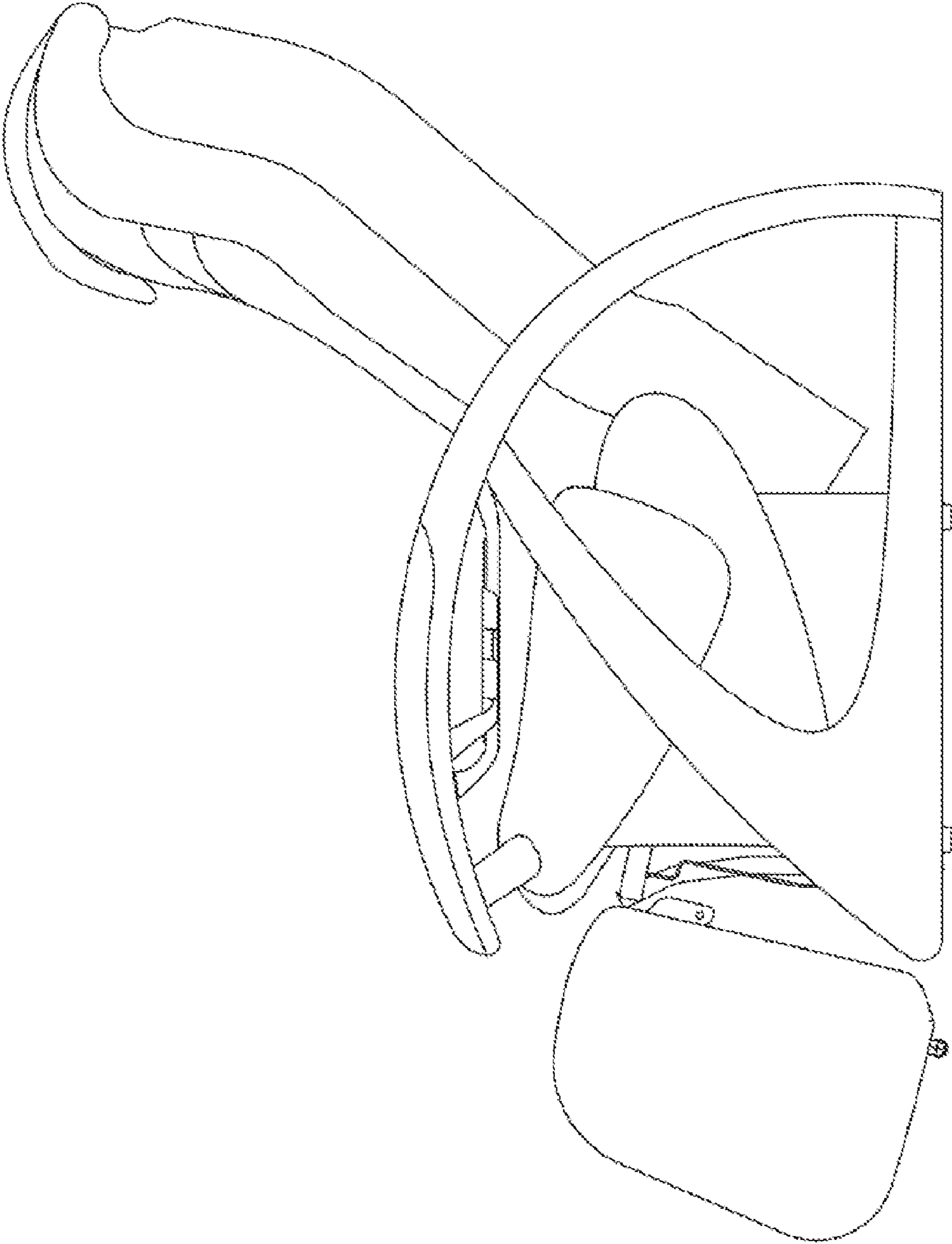


Fig. 5

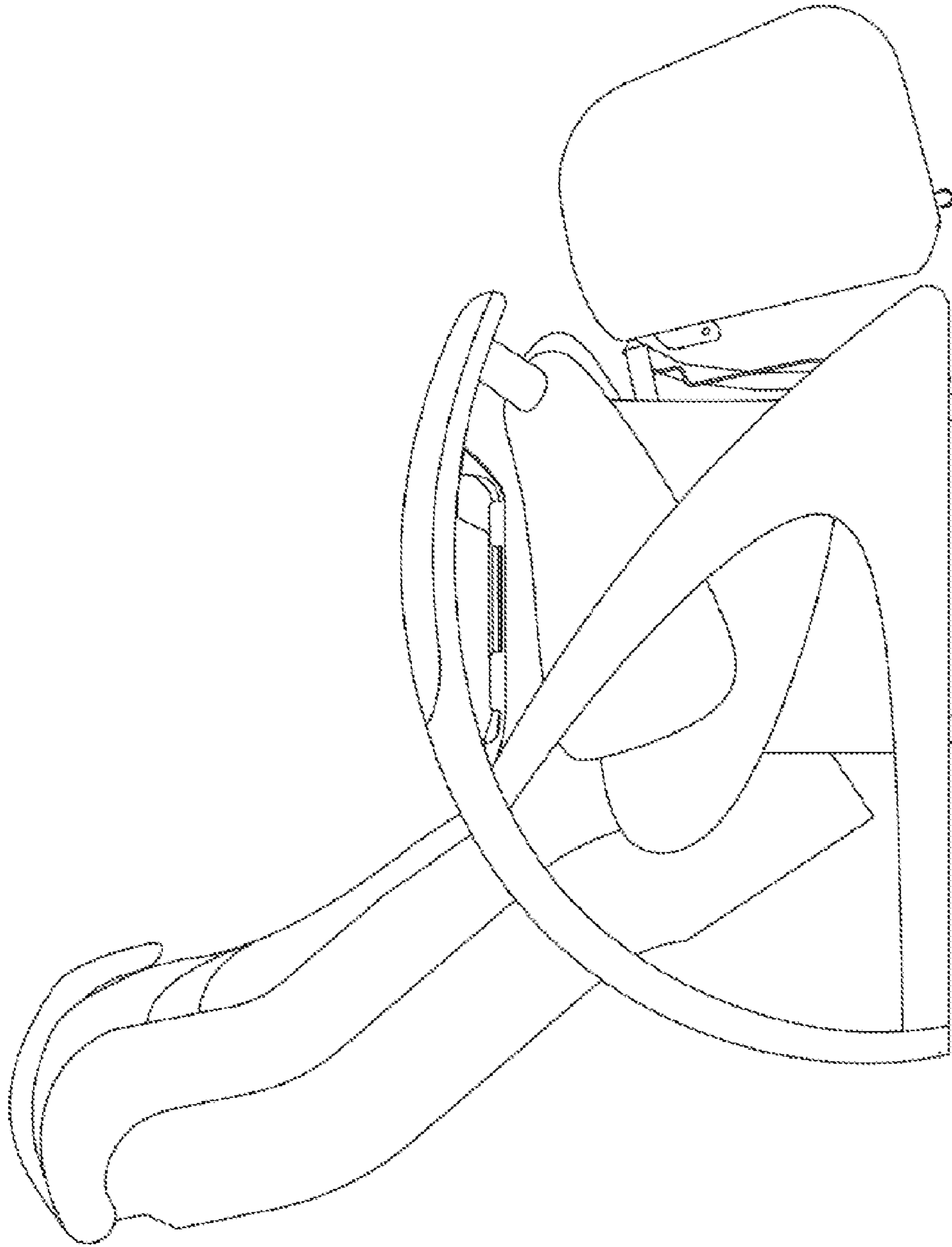


Fig. 6

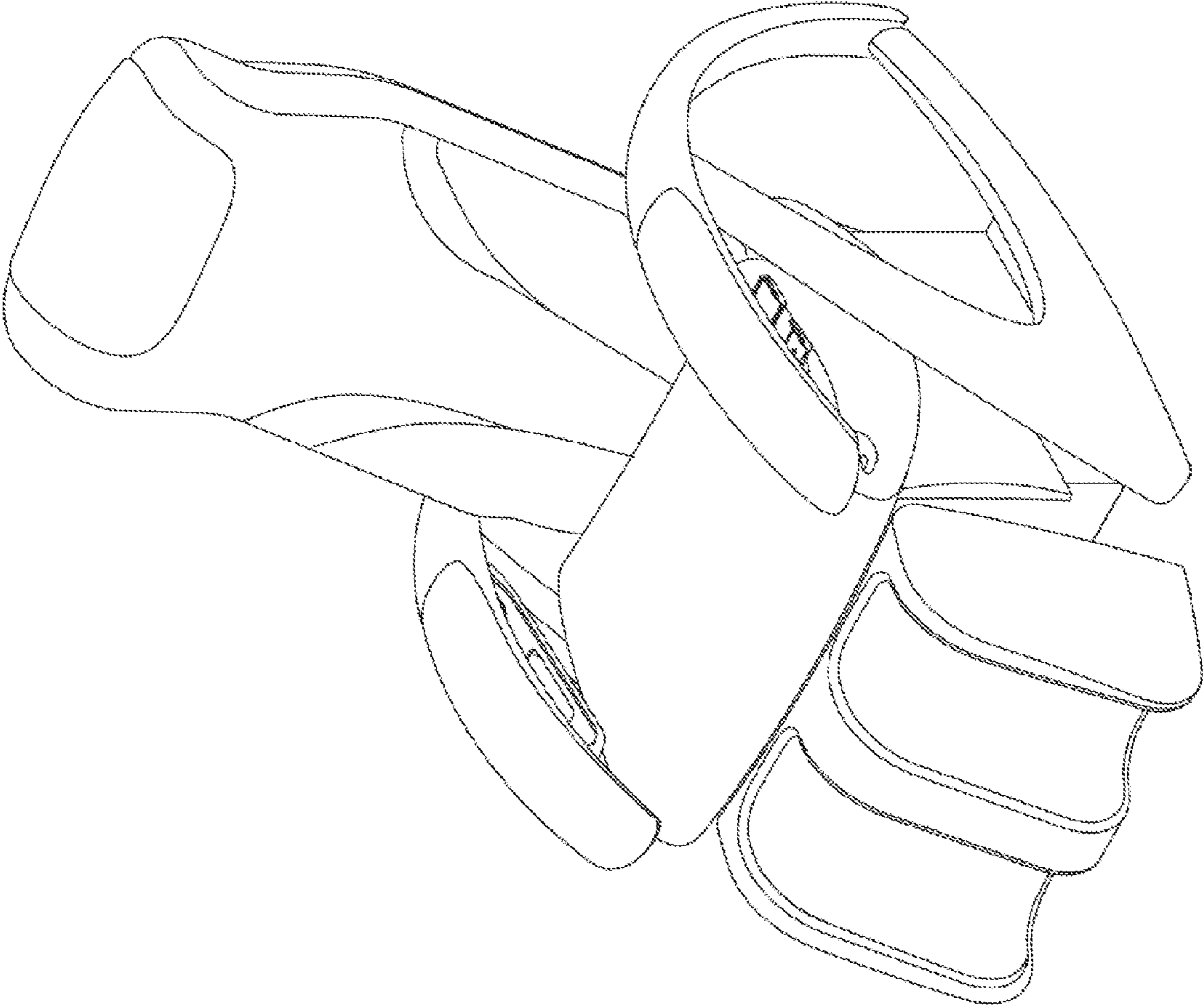


Fig. 7

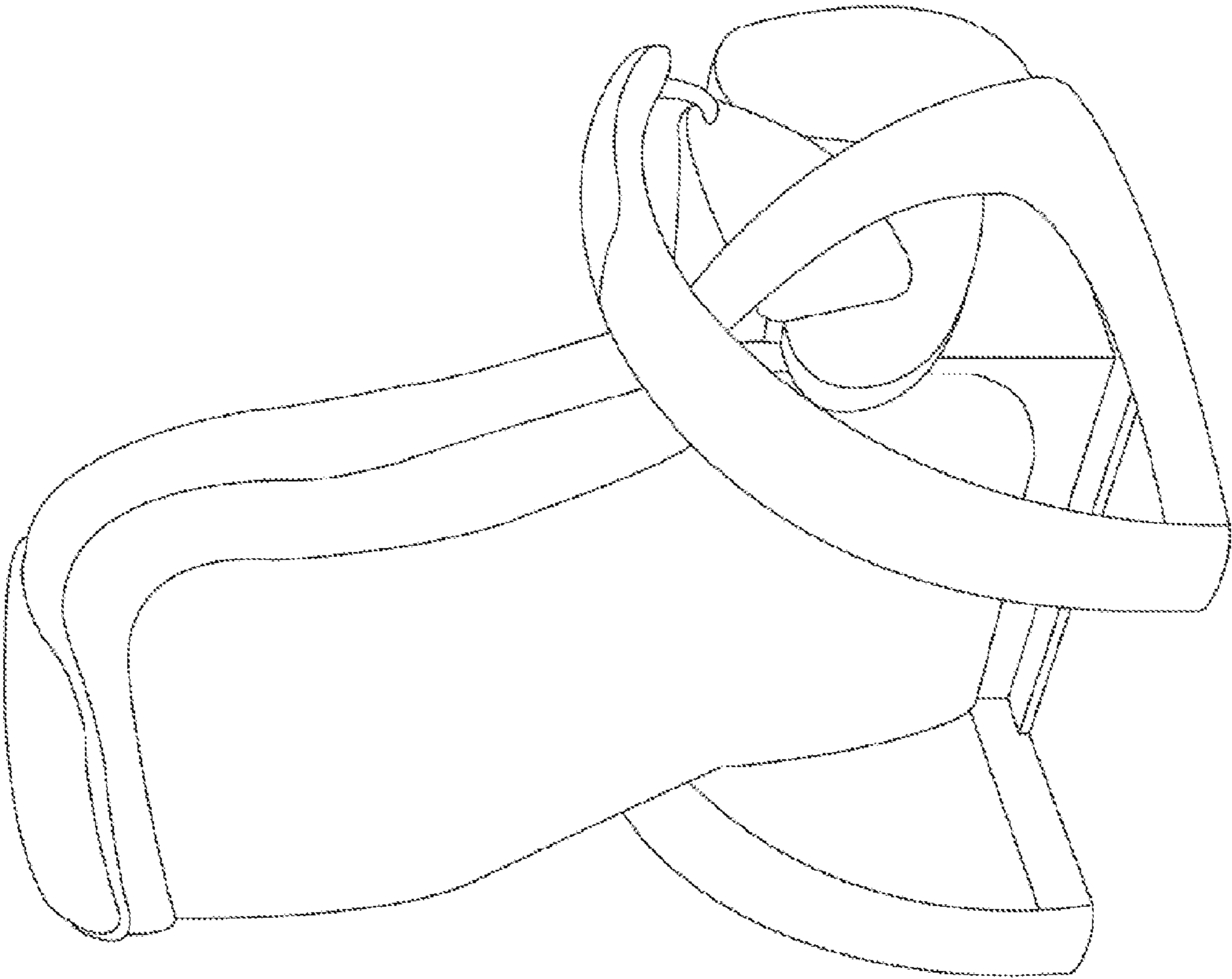


Fig. 8