

US00D565315S

(12) **United States Design Patent**  
**Nielsen**

(10) **Patent No.:** **US D565,315 S**

(45) **Date of Patent:** **\*\* Apr. 1, 2008**

(54) **DENTIST CHAIR**

(75) Inventor: **Thomas Steen Nielsen, Ishøj (DK)**

(73) Assignee: **Heka Dental ApS, Ishoj (DK)**

(\*\*) Term: **14 Years**

(21) Appl. No.: **29/282,005**

(22) Filed: **Jul. 9, 2007**

(30) **Foreign Application Priority Data**

Jan. 12, 2007 (EM) ..... 000655147

(51) **LOC (8) Cl.** ..... **06-01**

(52) **U.S. Cl.** ..... **D6/367**

(58) **Field of Classification Search** ..... D6/334,  
D6/335, 360, 361, 365, 367, 379, 500-502;  
D24/178, 183; 297/316, 330, 391, 344.15,  
297/344.17

See application file for complete search history.

(56) **References Cited**

**U.S. PATENT DOCUMENTS**

- D237,327 S \* 10/1975 Collins et al. .... D6/361
- D238,019 S \* 12/1975 Leffler et al. .... D6/361
- D263,434 S \* 3/1982 Miller ..... D6/360
- D267,987 S \* 2/1983 Leffler et al. .... D6/361
- D333,736 S \* 3/1993 Nordstrom ..... D6/367
- D347,946 S \* 6/1994 Nordstrom et al. .... D6/367

- D361,438 S \* 8/1995 Spencer et al. .... D6/367
- D378,961 S \* 4/1997 Nordstrom et al. .... D6/367
- D462,189 S \* 9/2002 Brockway et al. .... D6/367
- D525,443 S \* 7/2006 Takahashi ..... D6/367

\* cited by examiner

*Primary Examiner*—Mimosa De

(74) *Attorney, Agent, or Firm*—William J. Sapone; Coleman Sudol Sapone P.C.

(57) **CLAIM**

The ornamental design for a dentist chair, as shown and described.

**DESCRIPTION**

FIG. 1 is a perspective front view of the dentist chair showing my new design;

FIG. 2 is a front view thereof;

FIG. 3 is a left side view thereof;

FIG. 4 is a right side view thereof;

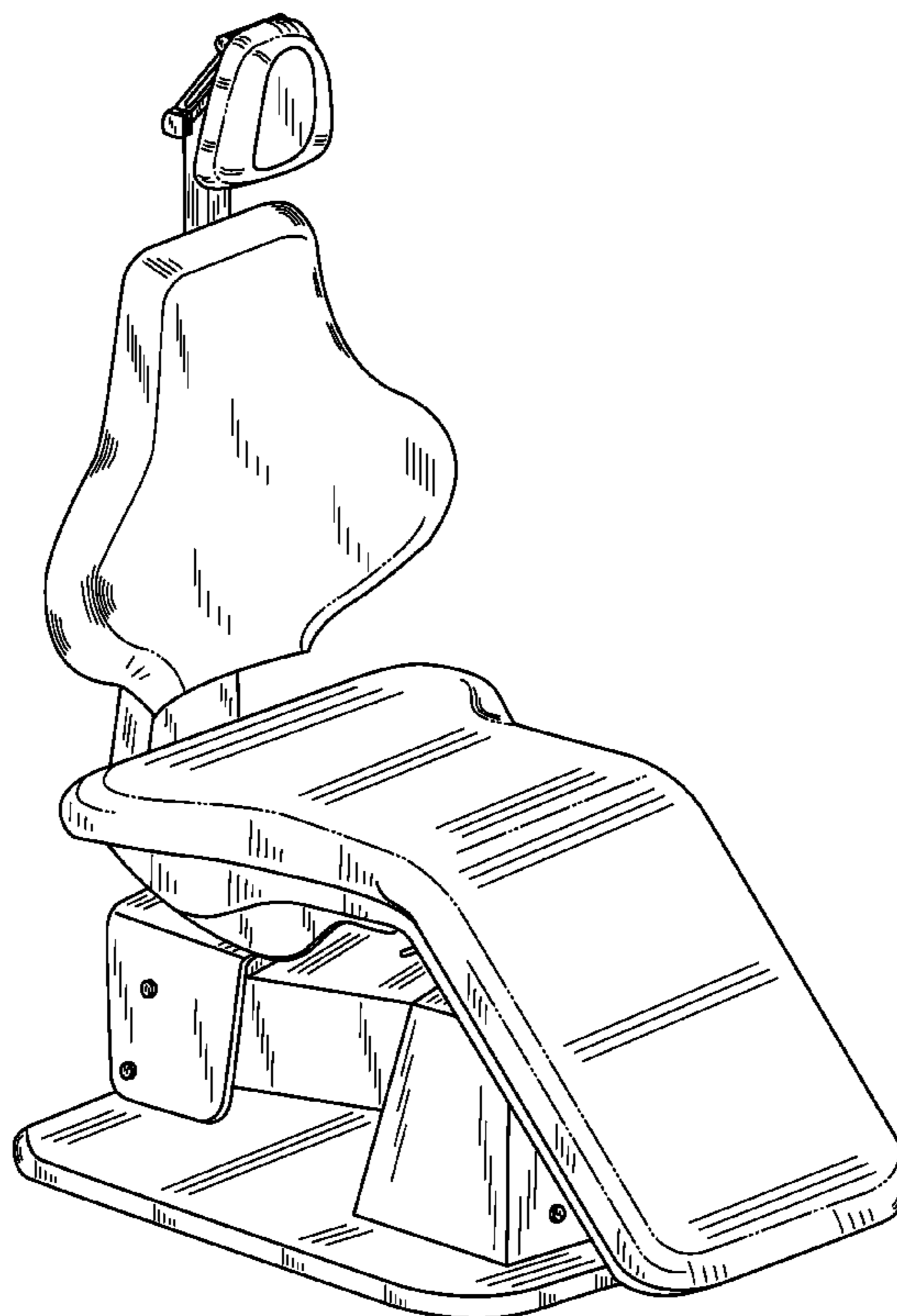
FIG. 5 is a rear view thereof;

FIG. 6 is a top view thereof; and,

FIG. 7 is a bottom view thereof.

The broken lines shown in FIGS. 5 and 7 are for illustrative purposes only and form no part of the claimed design.

**1 Claim, 7 Drawing Sheets**



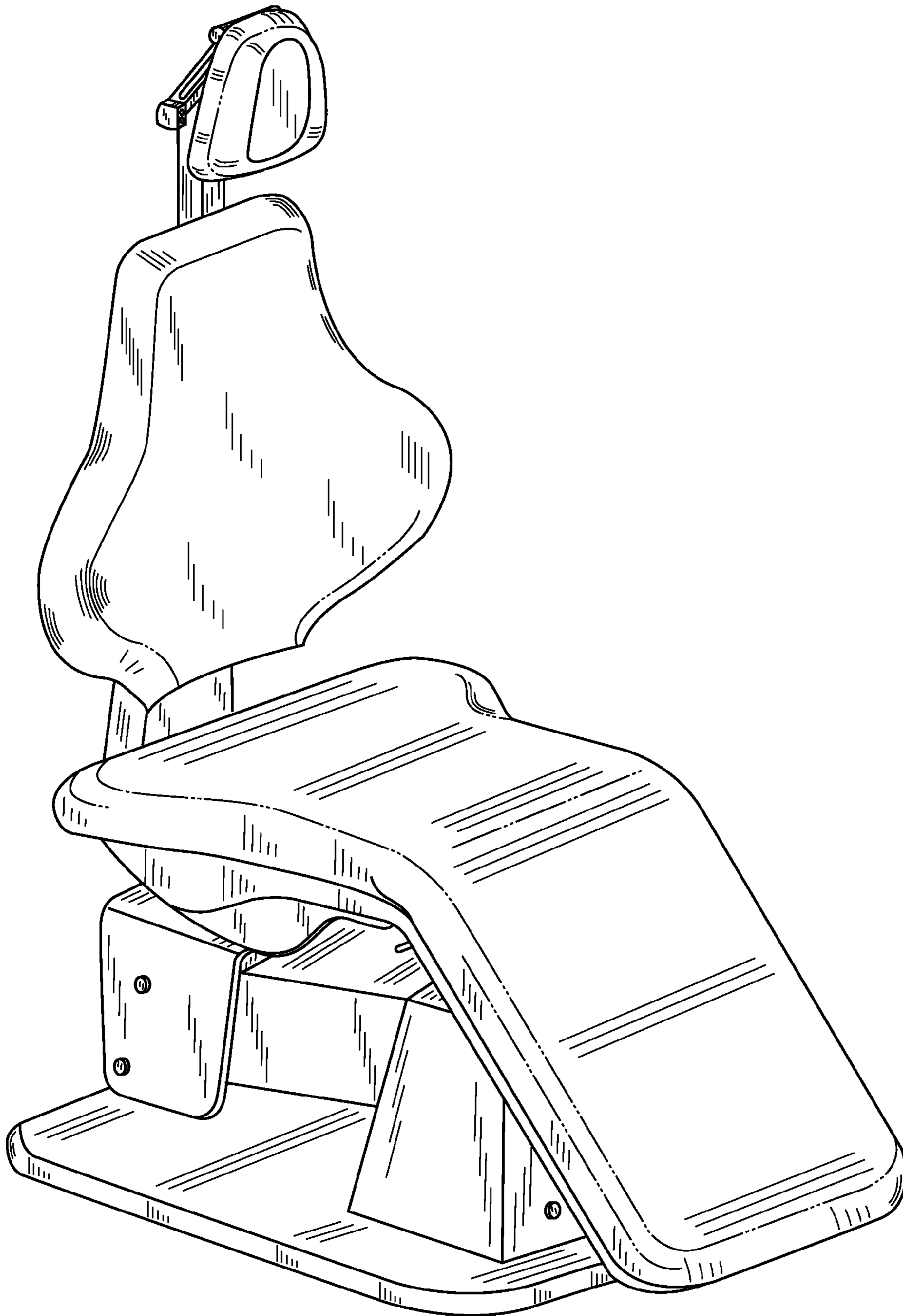


FIG. 1

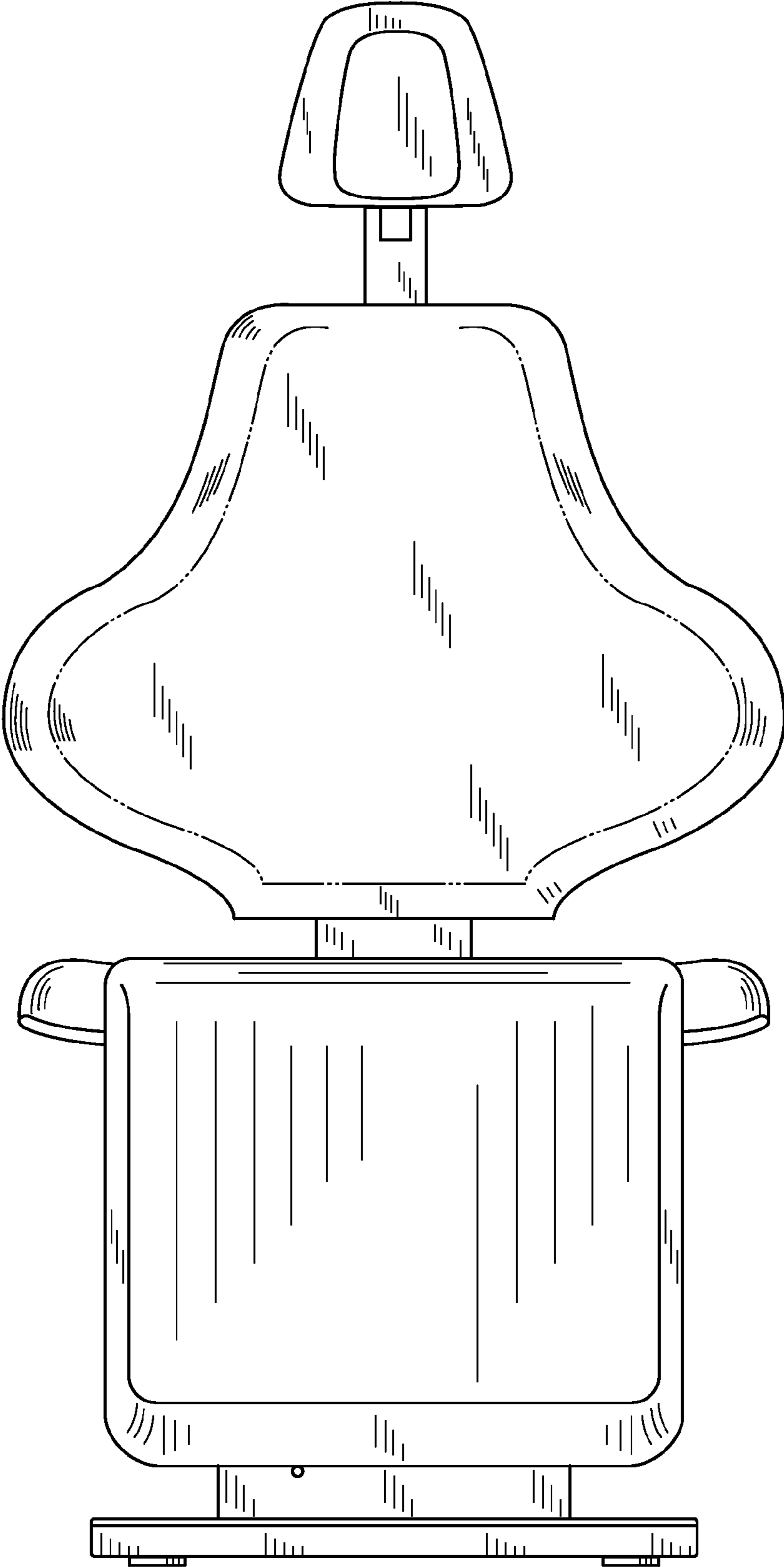


FIG. 2

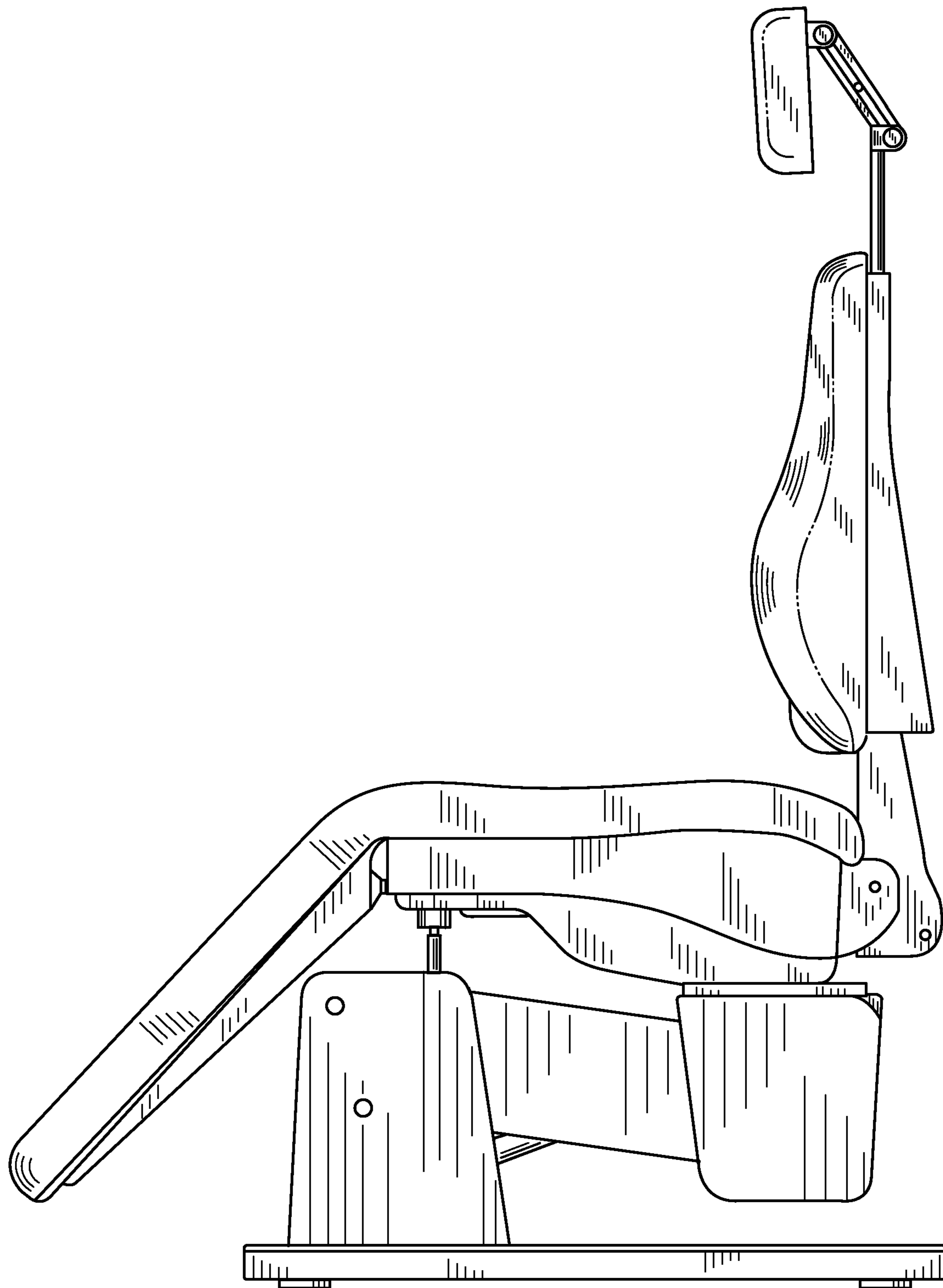


FIG. 3

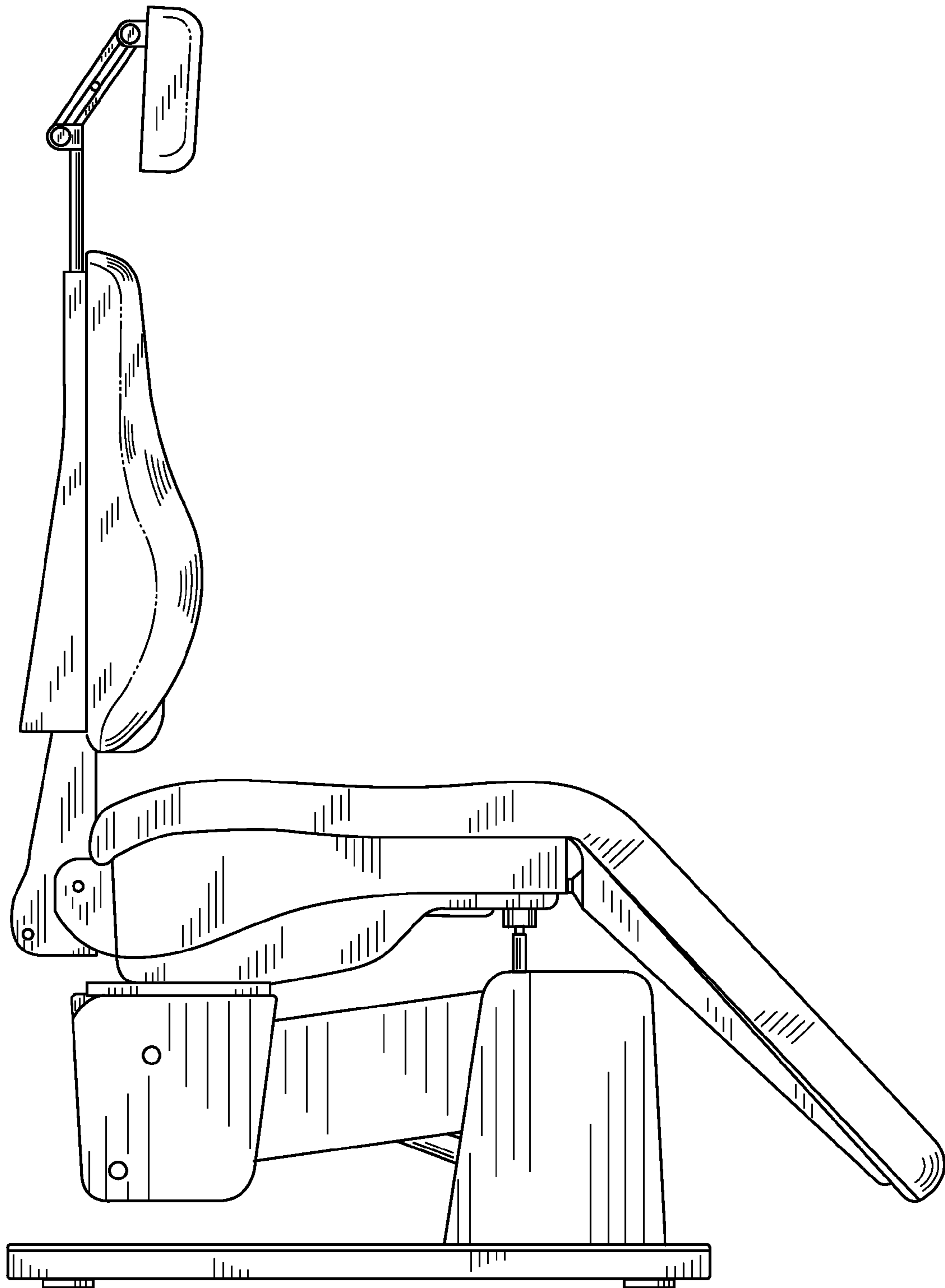


FIG. 4

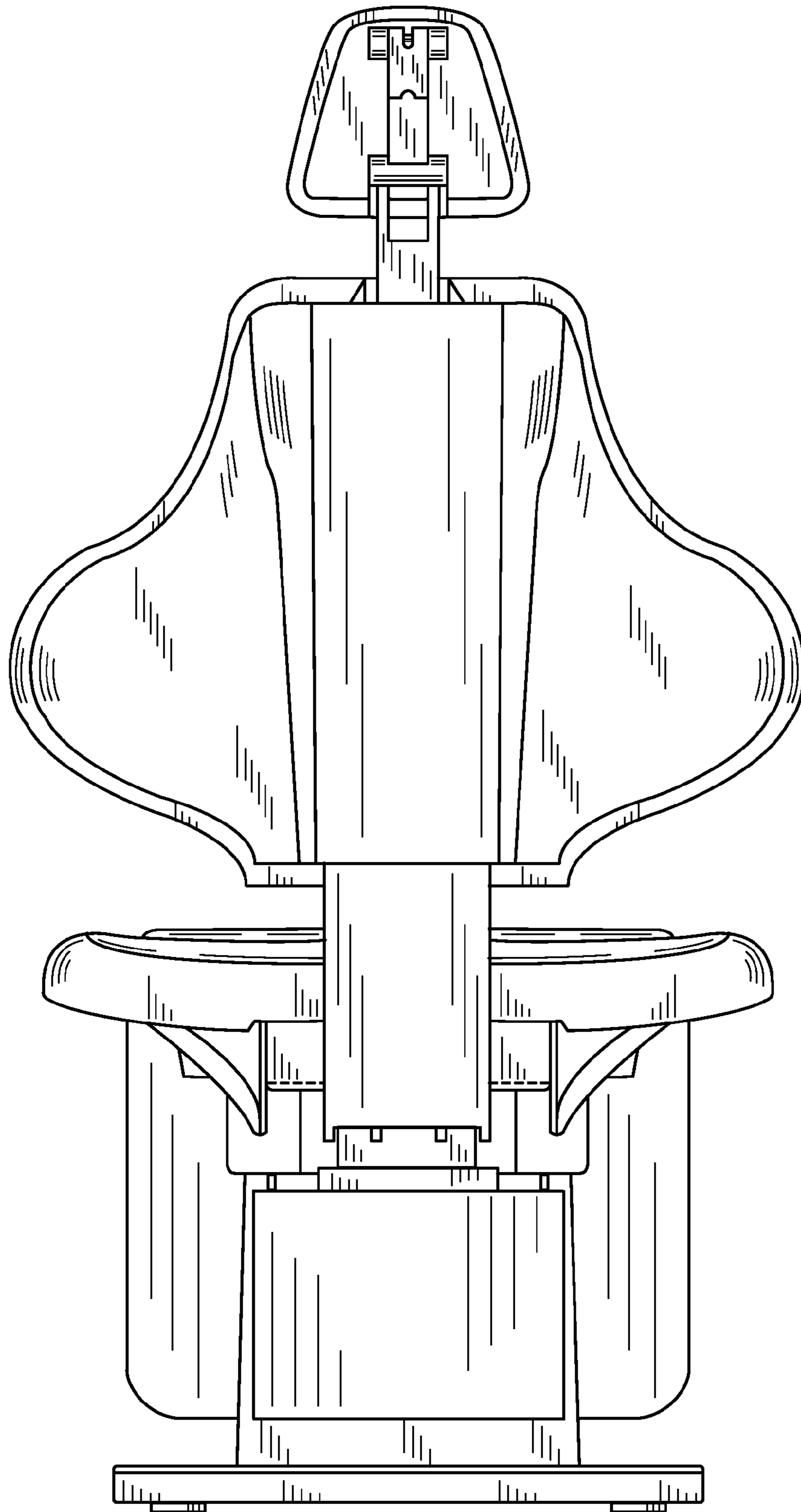


FIG. 5



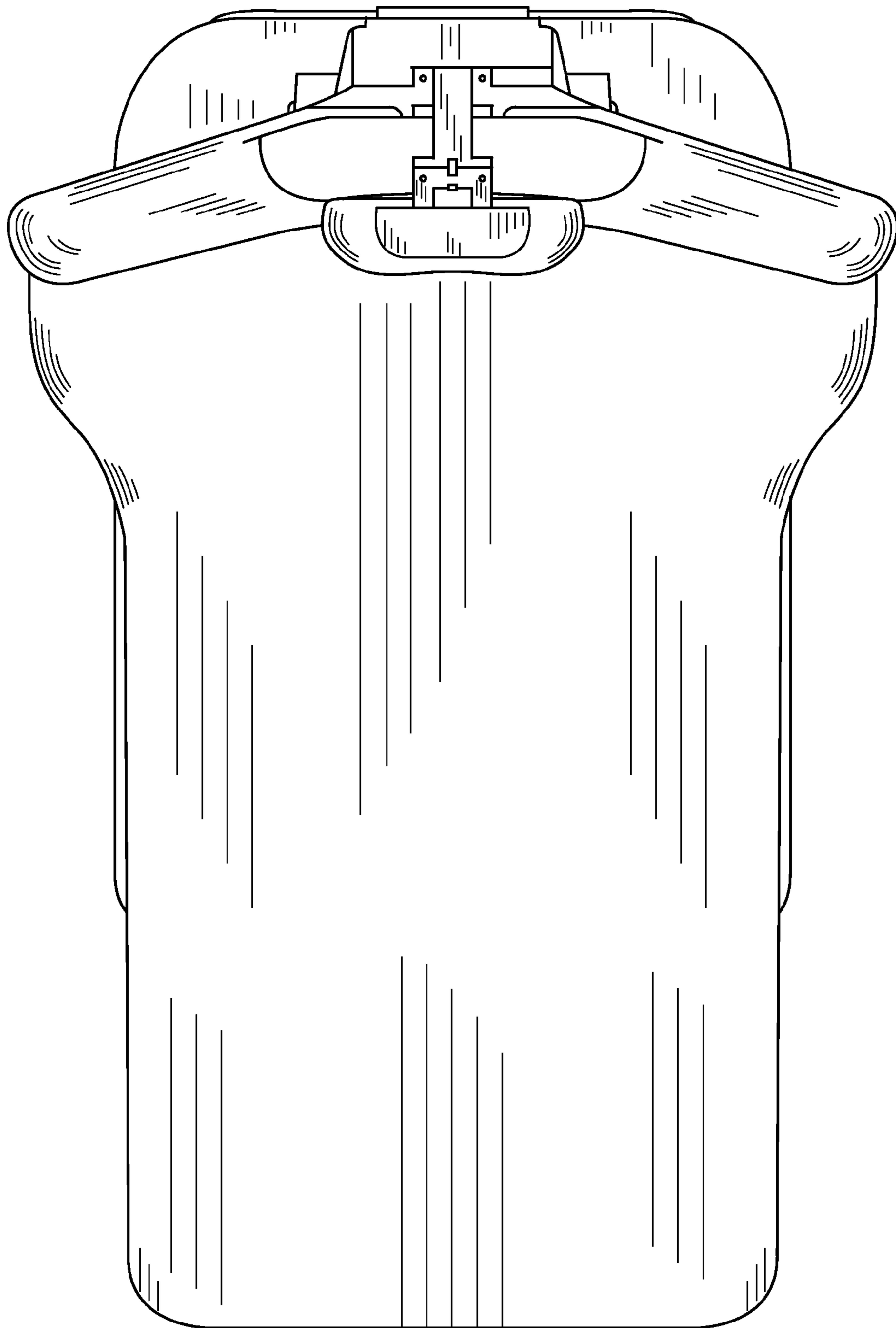


FIG. 6

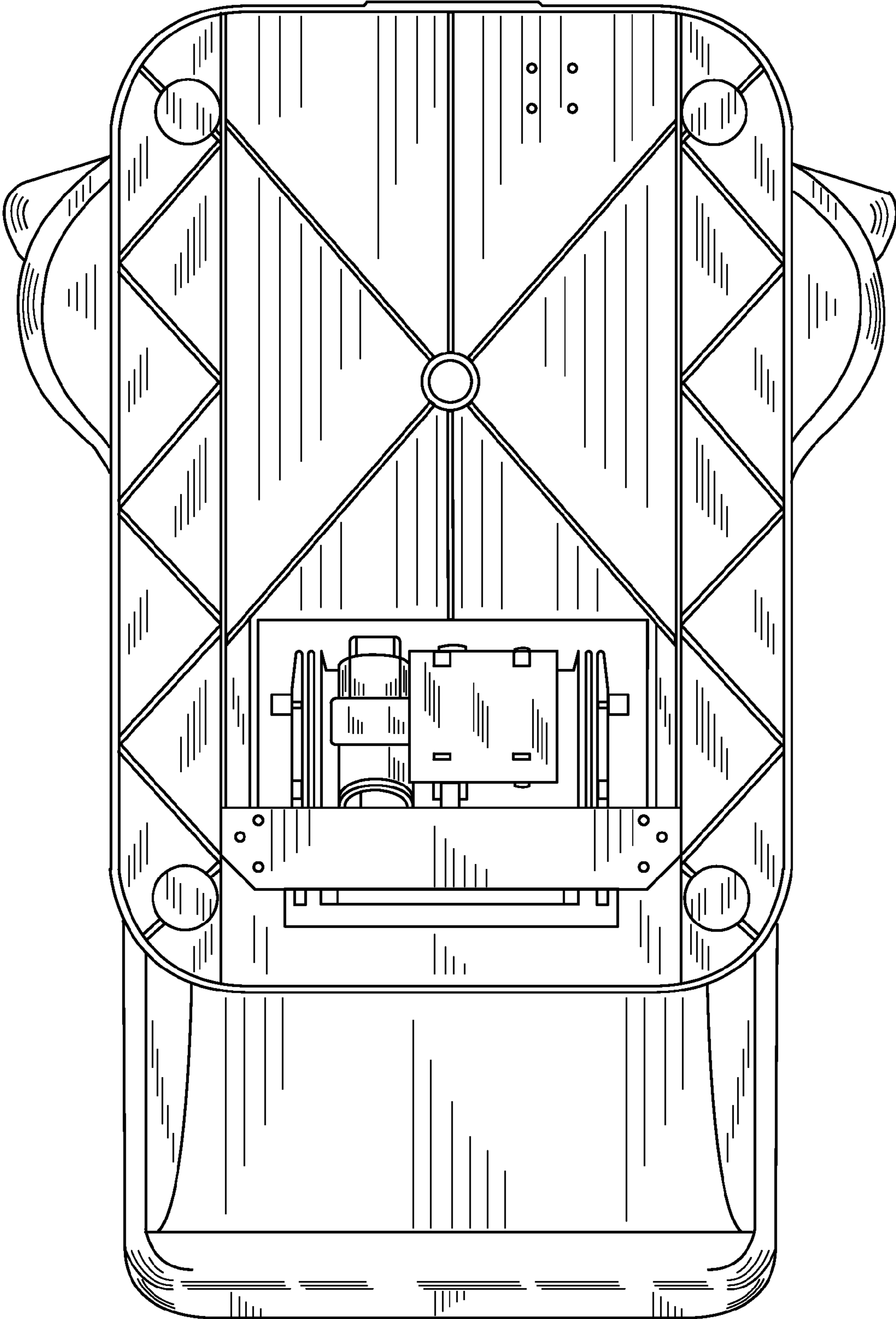


FIG. 7