



US00D565313S

(12) **United States Design Patent** (10) **Patent No.:** **US D565,313 S**
Johnsen (45) **Date of Patent:** **** Apr. 1, 2008**

(54) **TRAINING APPARATUS/CHAIR**

(75) Inventor: **Freddy Johnsen**, Auli (NO)

(73) Assignee: **BackUP AS**, Auli (NO)

(**) Term: **14 Years**

(21) Appl. No.: **29/240,383**

(22) Filed: **Oct. 13, 2005**

(51) **LOC (8) Cl.** **06-01**

(52) **U.S. Cl.** **D6/349**

(58) **Field of Classification Search** D6/349-355,
D6/363-364, 484, 495, 500-502, 334; 297/195.1,
297/195.11, 16.1, 118, 16.2, 175, 187, 462,
297/215.16, 219.11, 423.1, 423.39, 423.41,
297/423.43, 461; 108/53.3, 115, 150
See application file for complete search history.

(56) **References Cited**

U.S. PATENT DOCUMENTS

D171,652	S	*	3/1954	Keady	D6/336
3,312,437	A	*	4/1967	Barth	248/158
4,130,263	A	*	12/1978	Roericht	248/371
D309,989	S	*	8/1990	Gotts	D6/364
D339,003	S	*	9/1993	Mele	D6/364
D365,695	S	*	1/1996	Sibbitt, Sr.	D6/364
D428,721	S	*	8/2000	Jenkins	D6/364
D450,943	S	*	11/2001	Bell	D6/364
D454,438	S	*	3/2002	Volkman et al.	D6/349
D454,706	S	*	3/2002	Volkman et al.	D6/349
D464,207	S	*	10/2002	Bell et al.	D6/364
D467,745	S	*	12/2002	Ryan	D6/364
D473,389	S	*	4/2003	Ryan	D6/364

* cited by examiner

Primary Examiner—Sandra Snapp

(74) *Attorney, Agent, or Firm*—Wenderoth, Lind & Ponack, L.L.P.

(57) **CLAIM**

The ornamental design for a training apparatus/chair, as shown and described.

DESCRIPTION

FIG. 1 is a prospective view of a training apparatus/chair according to a first embodiment of the present invention as seen from the front, top and right side thereof;

FIG. 2 is a rear view of the training apparatus/chair according to the first embodiment;

FIG. 3 is a front view of the training apparatus/chair according to the first embodiment;

FIG. 4 is a right side view of the training apparatus/chair according to the first embodiment;

FIG. 5 is a top view of the training apparatus/chair according to the first embodiment;

FIG. 6 is a bottom view of the training apparatus/chair according to the first embodiment;

FIG. 7 is a left side view of the training apparatus/chair according to the first embodiment; and,

FIG. 8 is a prospective view of a training apparatus/chair according to a second embodiment of the present invention as seen from the front, top and right side thereof.

The showing of the particular chair seat in broken lines is for illustrative purposes only and forms no part of the claimed design.

1 Claim, 7 Drawing Sheets

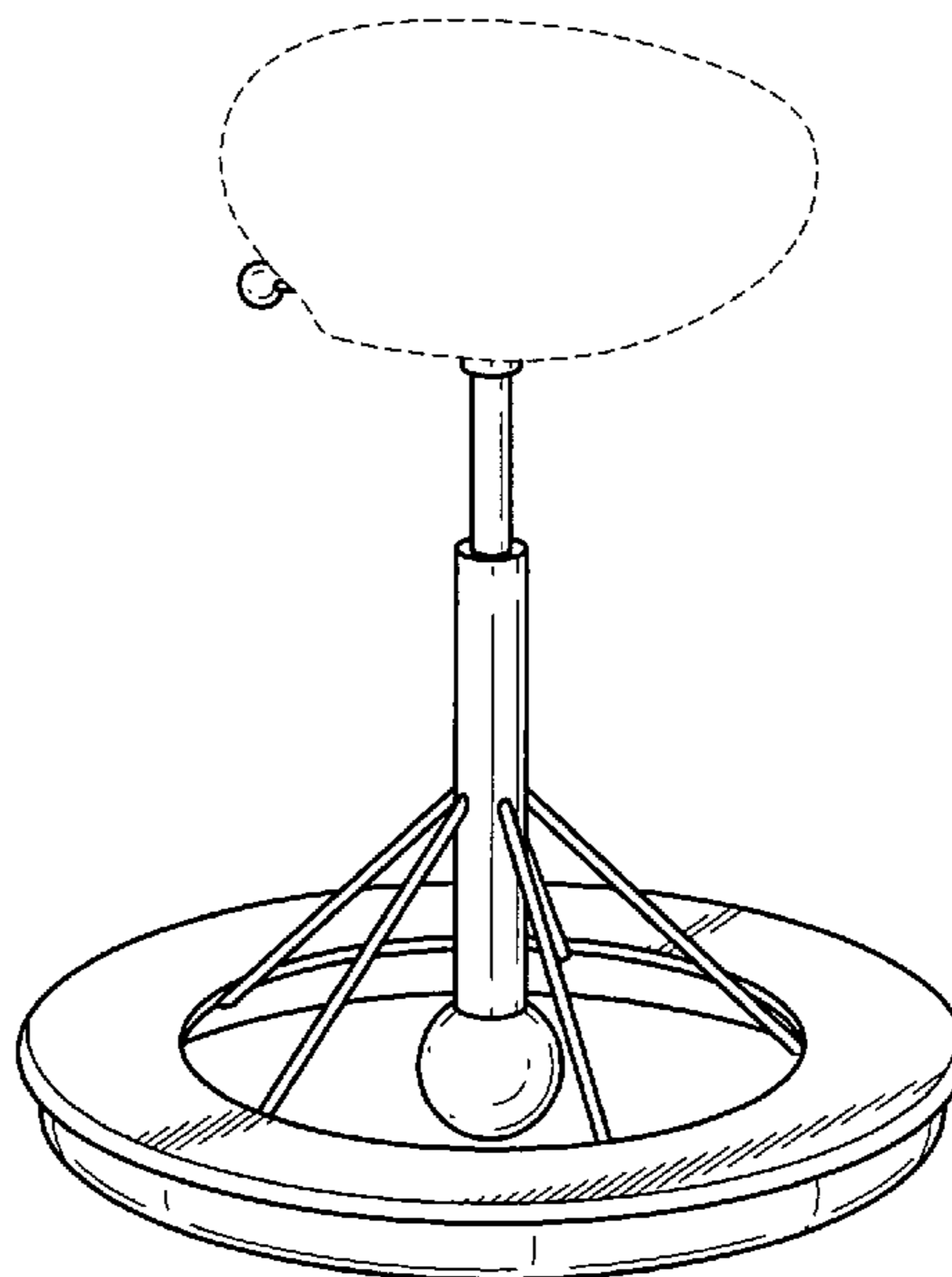


FIG. 1

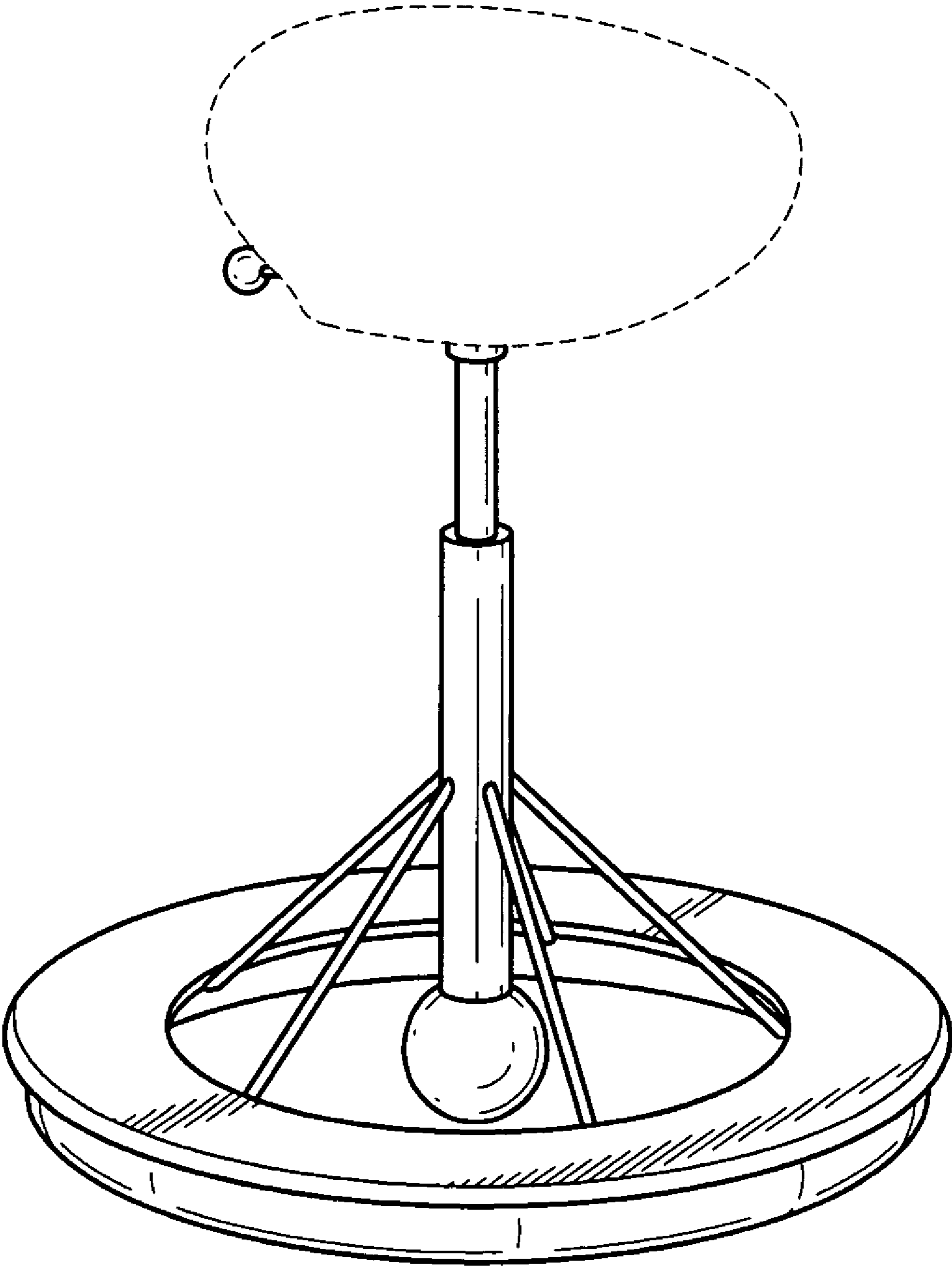


FIG. 2

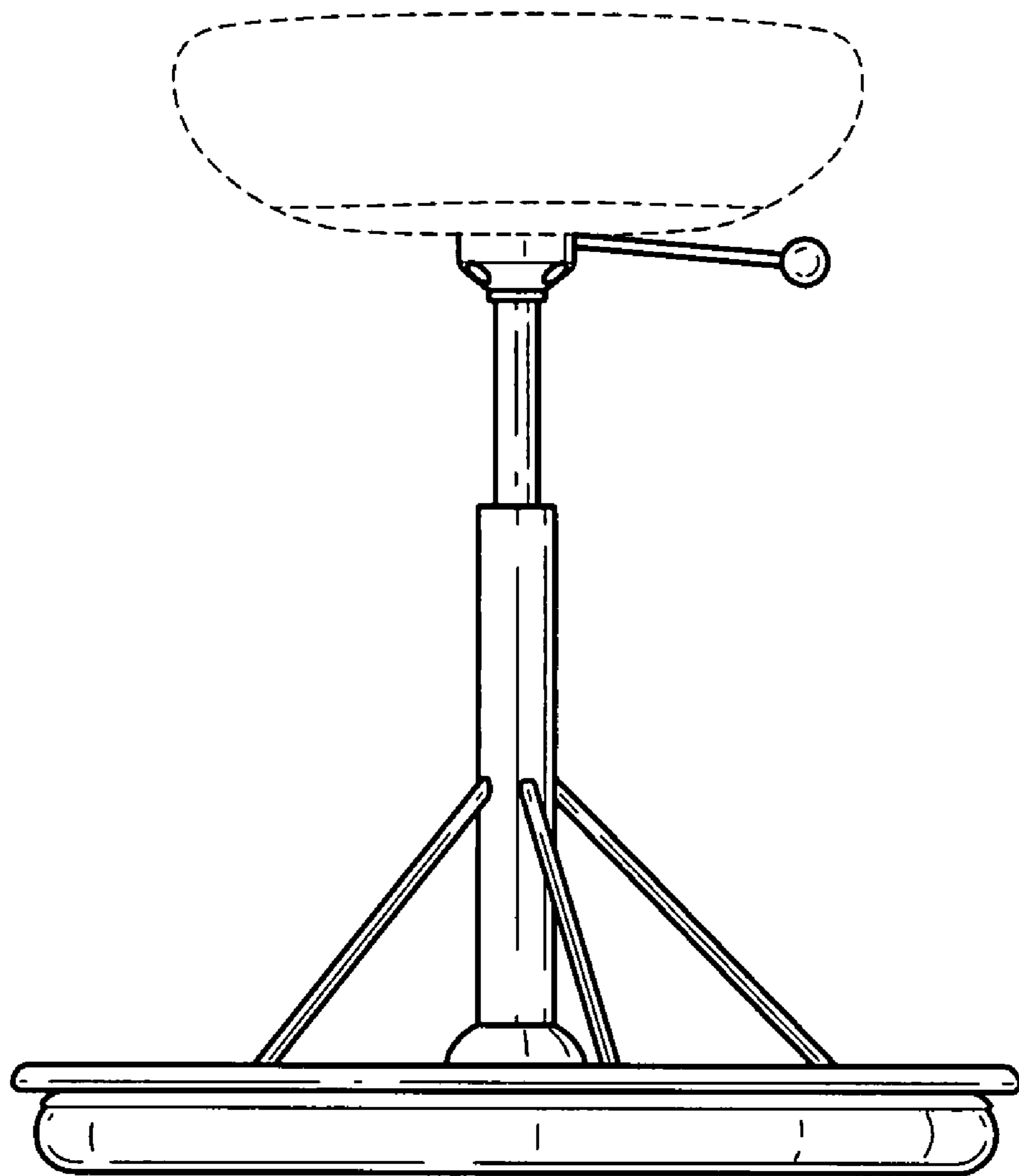


FIG. 3

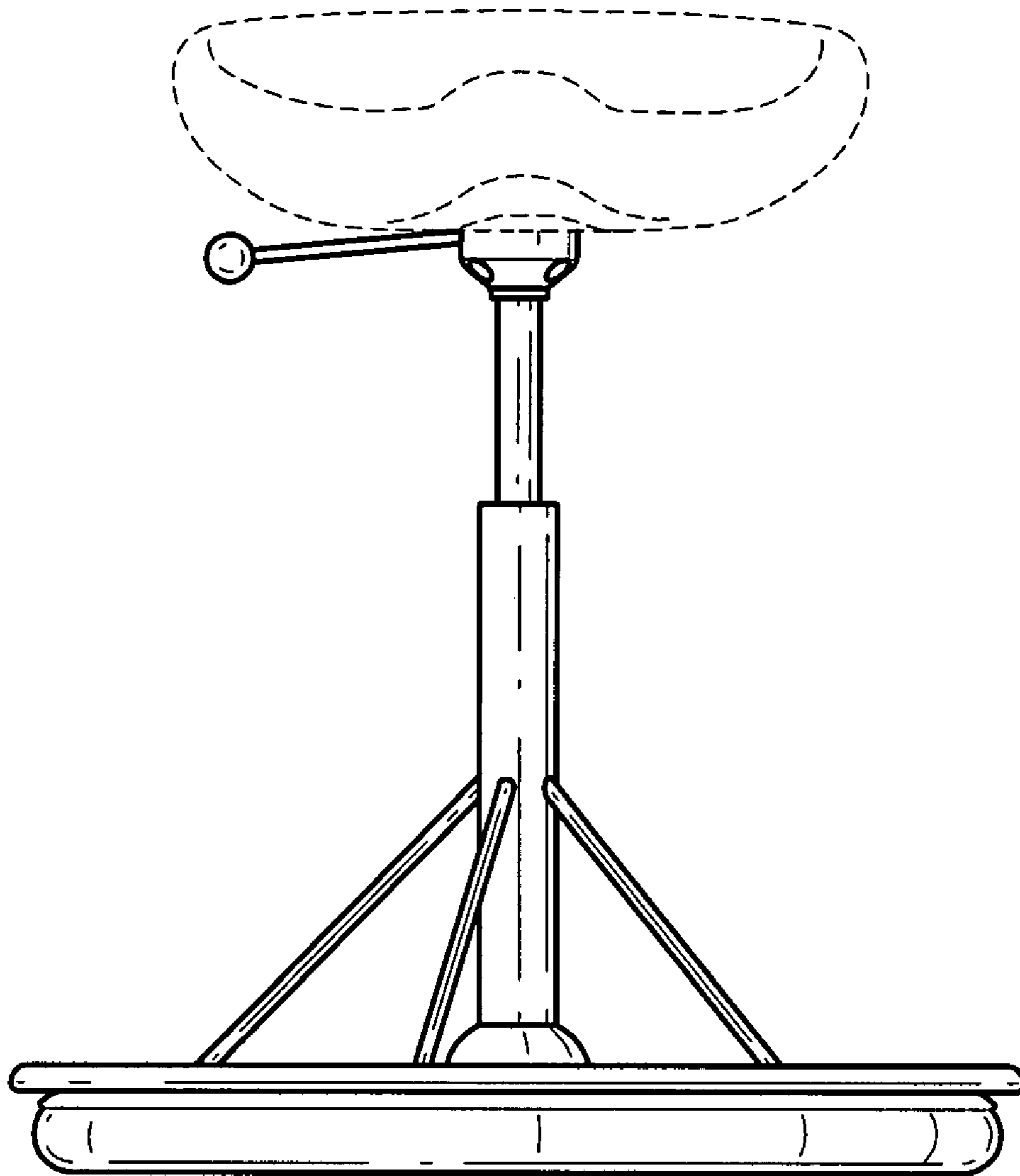


FIG. 4

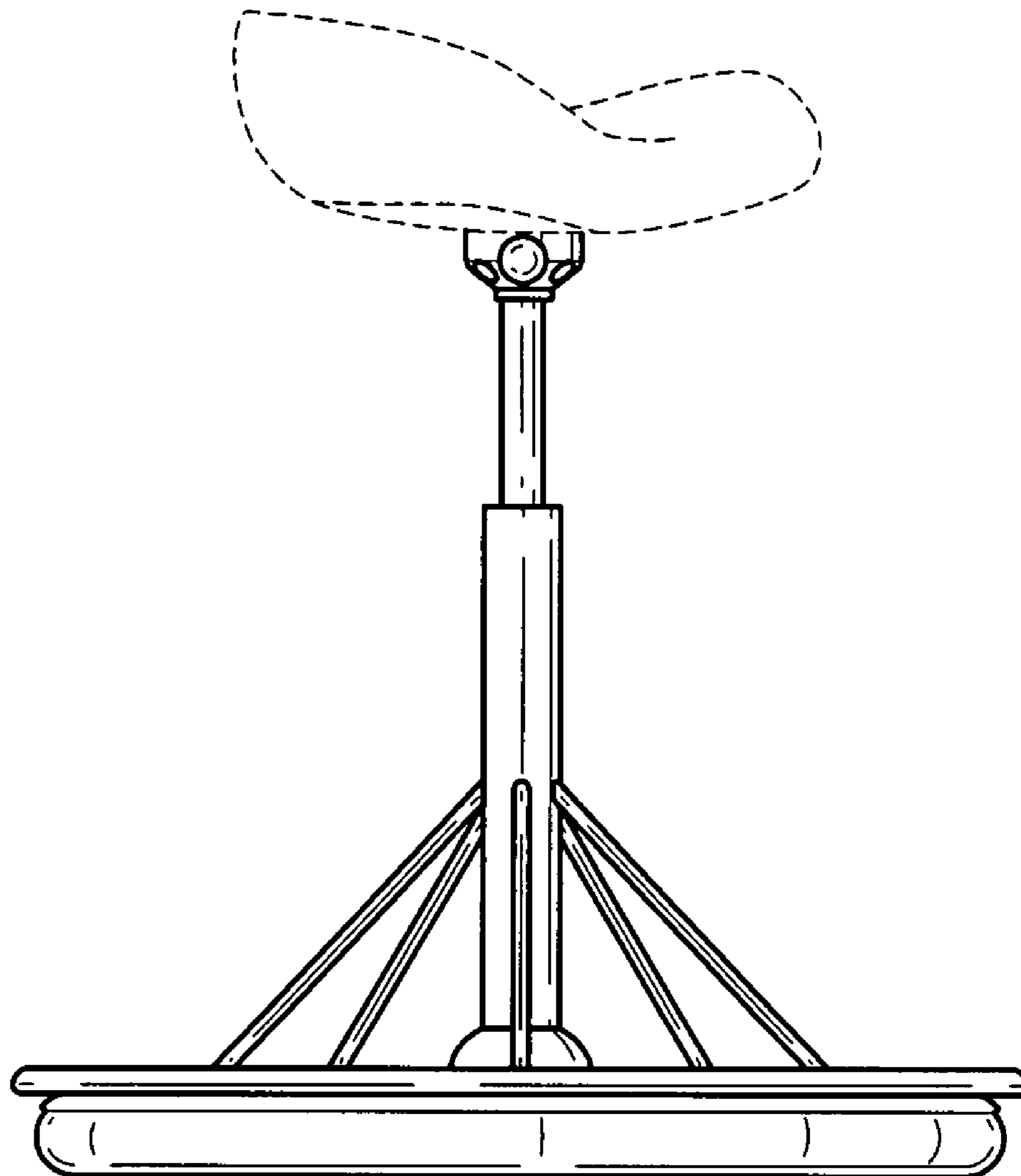


FIG. 5

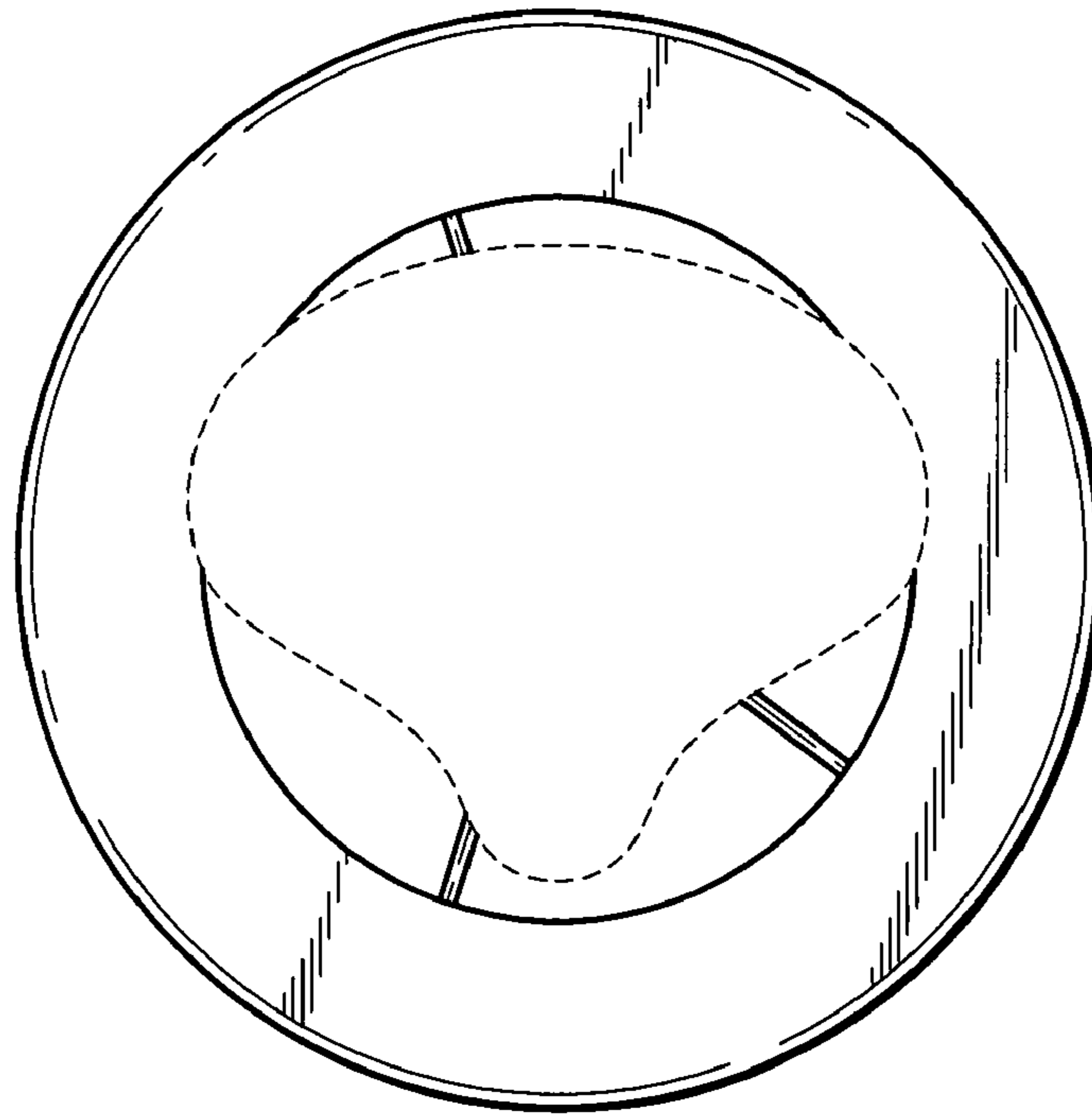


FIG. 6

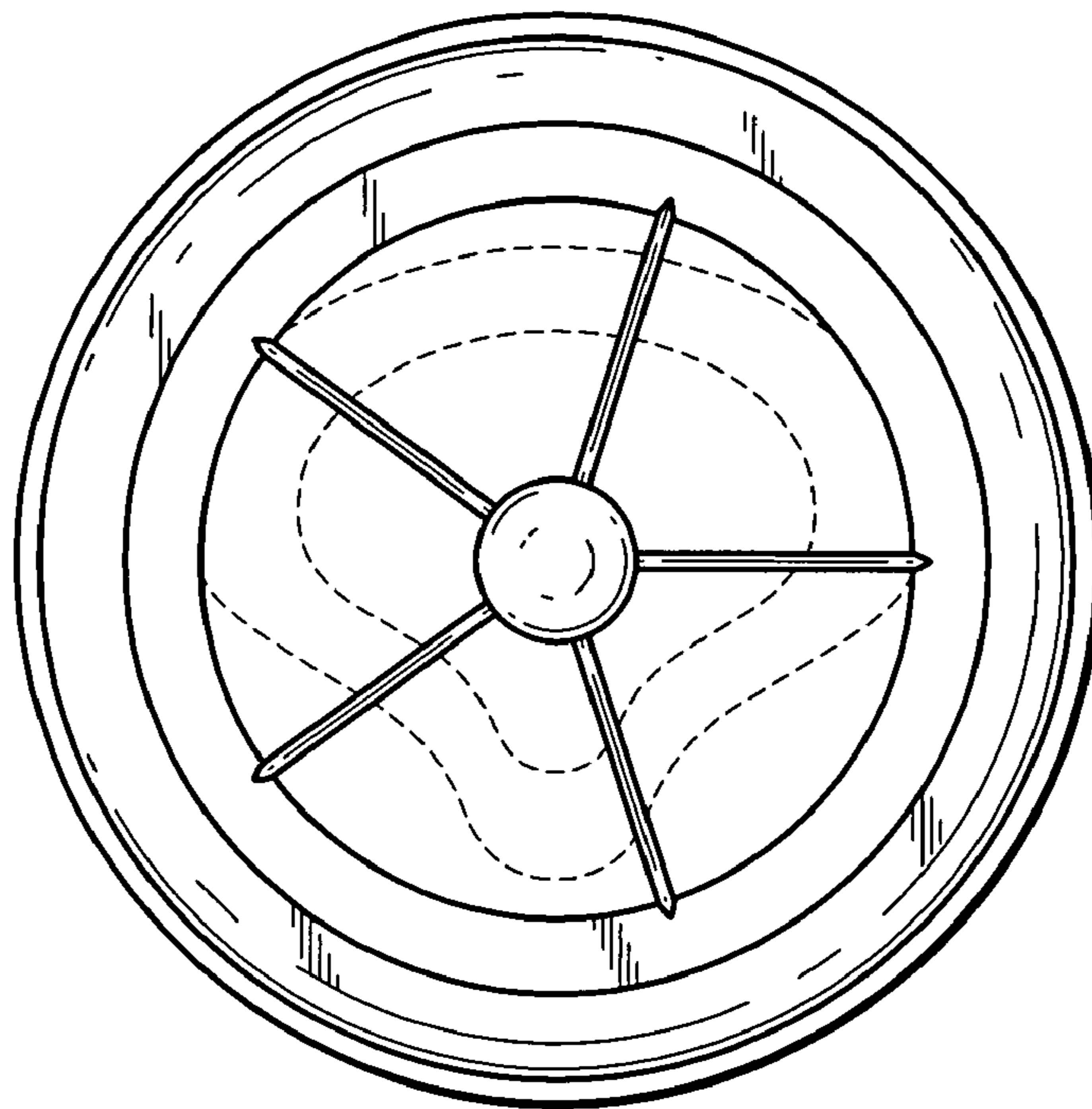


FIG. 7

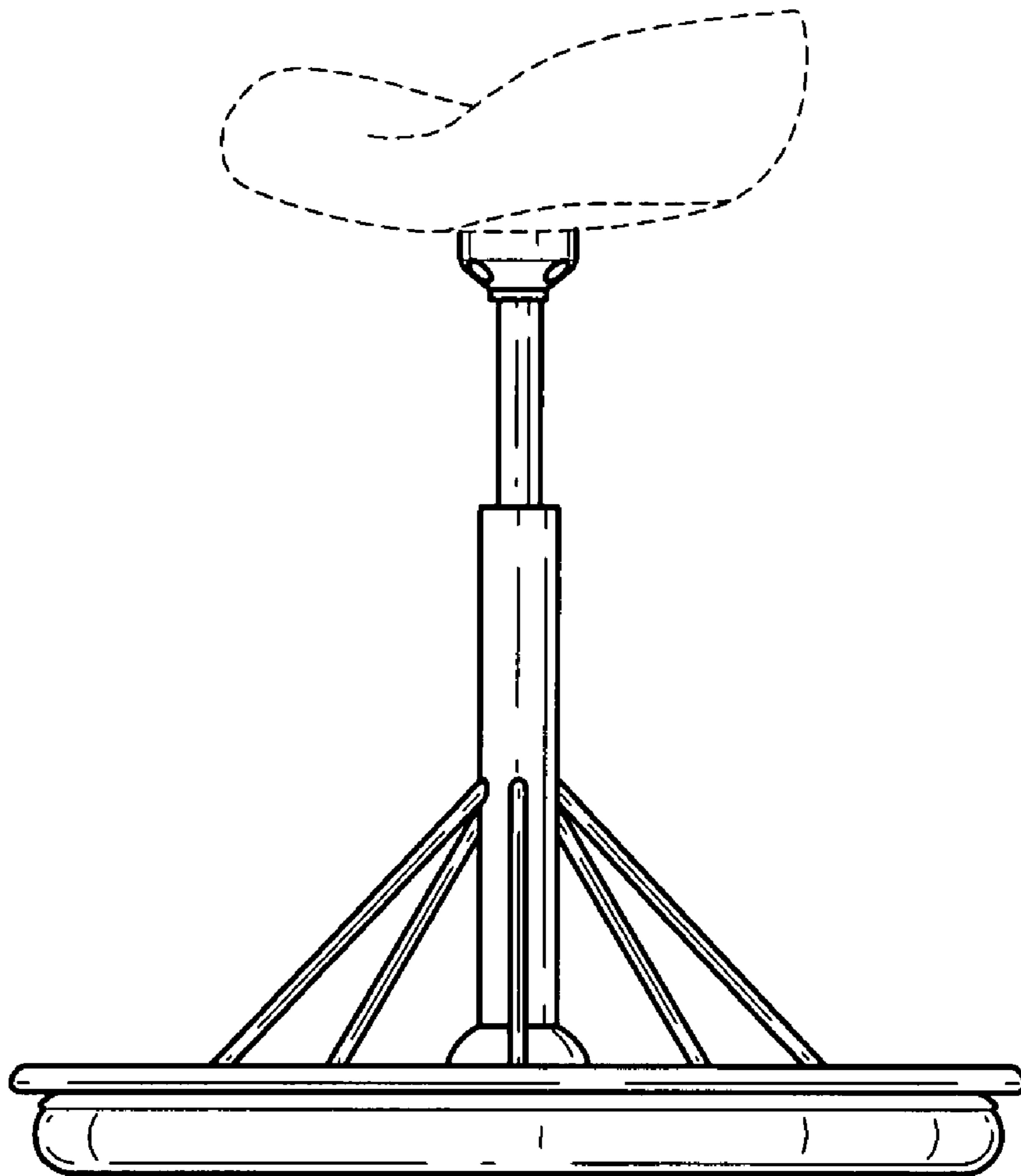


FIG. 8

