



US00D565311S

(12) **United States Design Patent**  
**Ishikawa**

(10) **Patent No.:** **US D565,311 S**

(45) **Date of Patent:** **\*\* \*Apr. 1, 2008**

(54) **CHILDREN'S CHAIR**

(75) Inventor: **Takeshi Ishikawa**, Nagano-ken (JP)

(73) Assignee: **Handysitt A/S**, Billund (DK)

(\*) Notice: This patent is subject to a terminal disclaimer.

(\*\*) Term: **14 Years**

(21) Appl. No.: **29/273,039**

(22) Filed: **Feb. 23, 2007**

(51) **LOC (8) Cl.** ..... **06-01**

(52) **U.S. Cl.** ..... **D6/339**

(58) **Field of Classification Search** ..... D6/333-336,  
D6/339-341, 344, 381, 491, 500-502; 297/250.1,  
297/255, 256.15; 5/94, 98.2, 103-104, 655,  
5/655.3; D12/129-130, 133; D21/419;  
280/30-31

See application file for complete search history.

(56) **References Cited**

**U.S. PATENT DOCUMENTS**

834,383 A \* 10/1906 Johnson ..... 297/152  
1,641,952 A \* 9/1927 Abraham ..... 297/255

1,641,953 A \* 9/1927 Abraham ..... 297/255  
2,508,822 A \* 5/1950 Goldberg ..... 297/255  
2,924,266 A \* 2/1960 Goldberg ..... 297/487  
3,023,047 A \* 2/1962 Linden ..... 297/254  
5,123,377 A \* 6/1992 Edwards ..... 119/28.5  
D340,139 S \* 10/1993 McCaskill ..... D6/333  
D545,578 S \* 7/2007 Ishikawa ..... D6/333

\* cited by examiner

*Primary Examiner*—Sandra Snapp

(74) *Attorney, Agent, or Firm*—Day Pitney LLP

(57) **CLAIM**

The ornamental design for children's chair, as shown and described.

**DESCRIPTION**

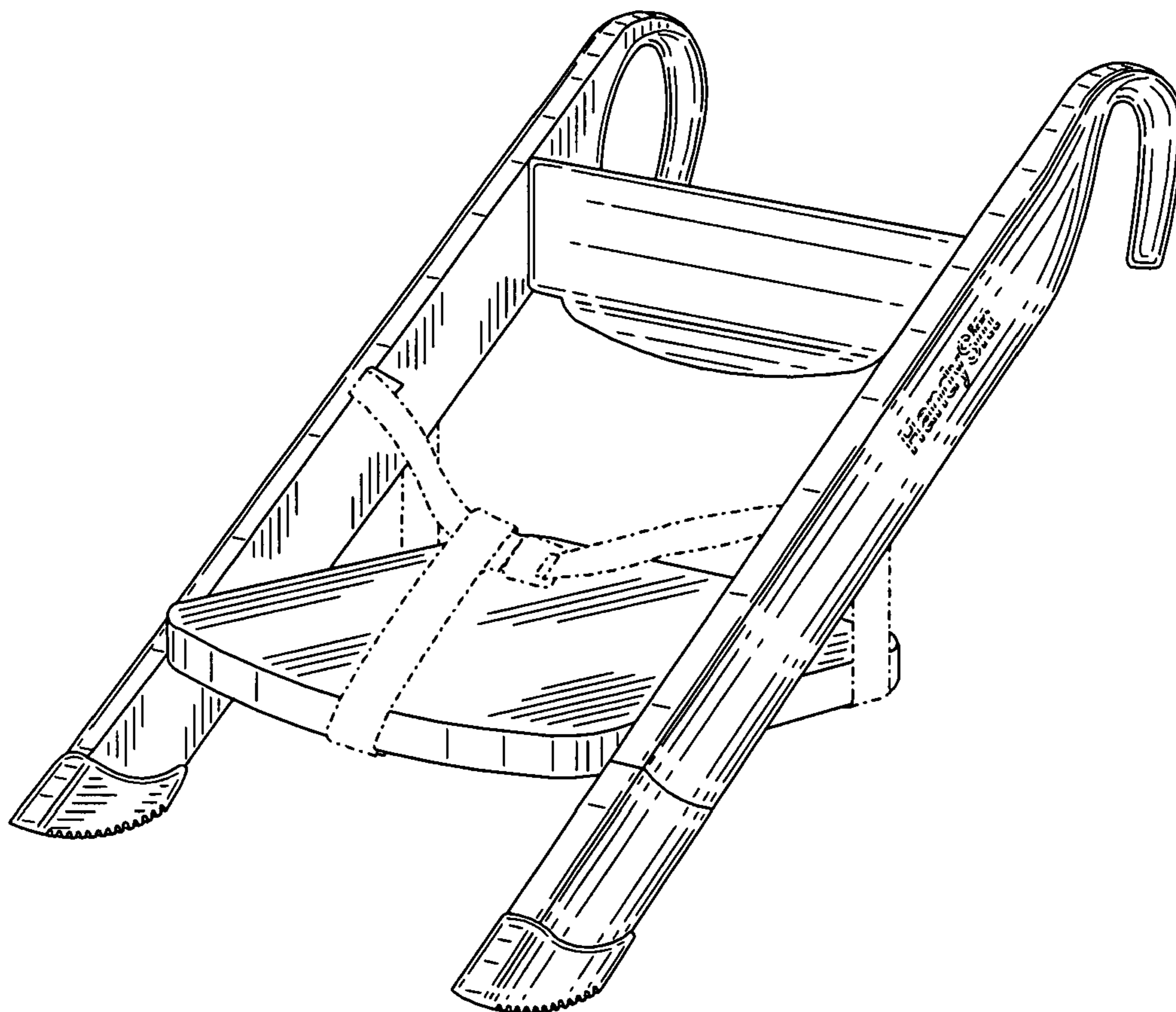
FIG. 1 is a top, front perspective view of children's chair in accordance with my design;

FIG. 2 is a side elevational view thereof, the other side being the same; and,

FIG. 3 is a front elevational view thereof.

The broken lines shown in the drawings are for illustrative purposes only and form no part of the claimed design.

**1 Claim, 3 Drawing Sheets**



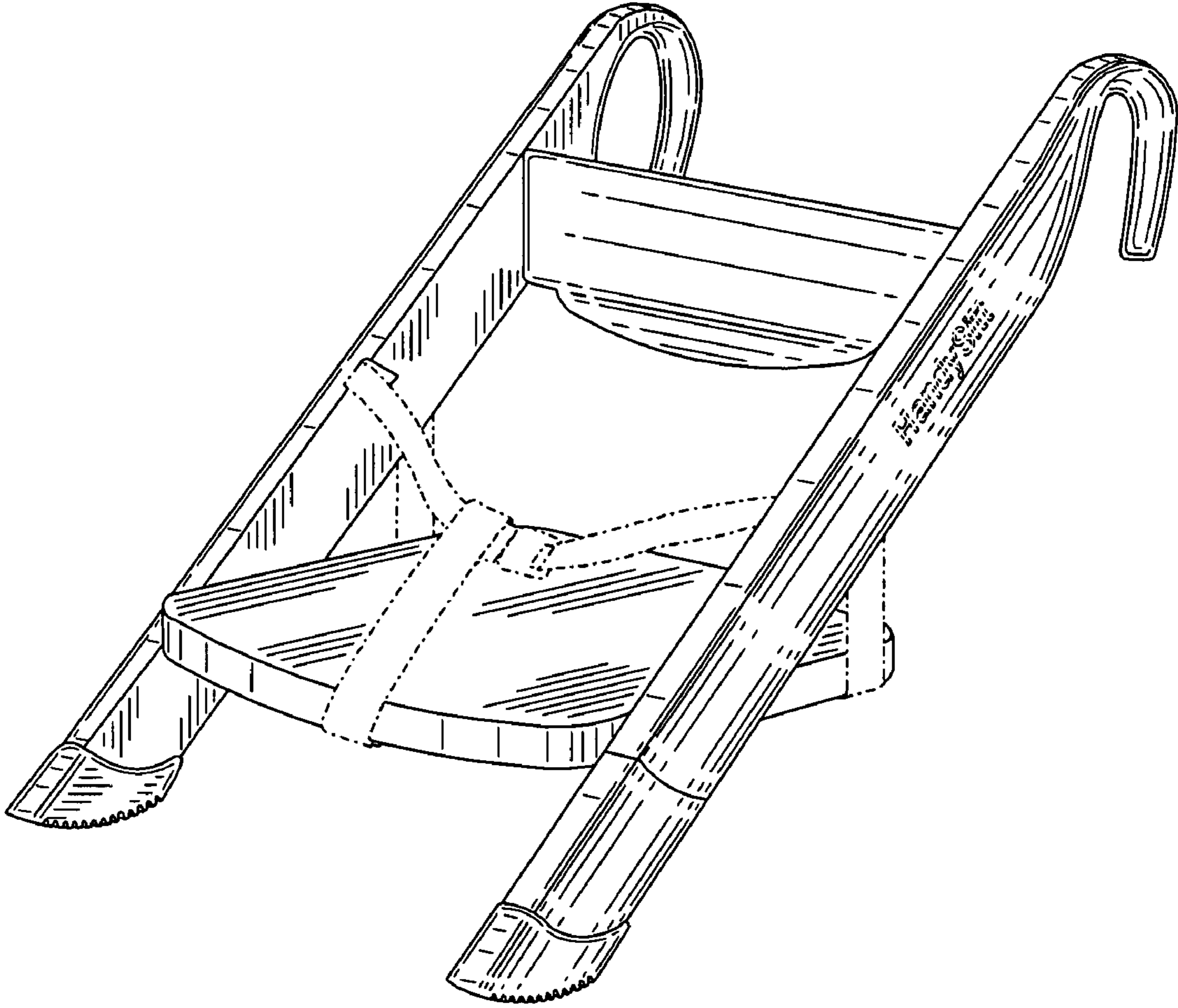


FIG. 1

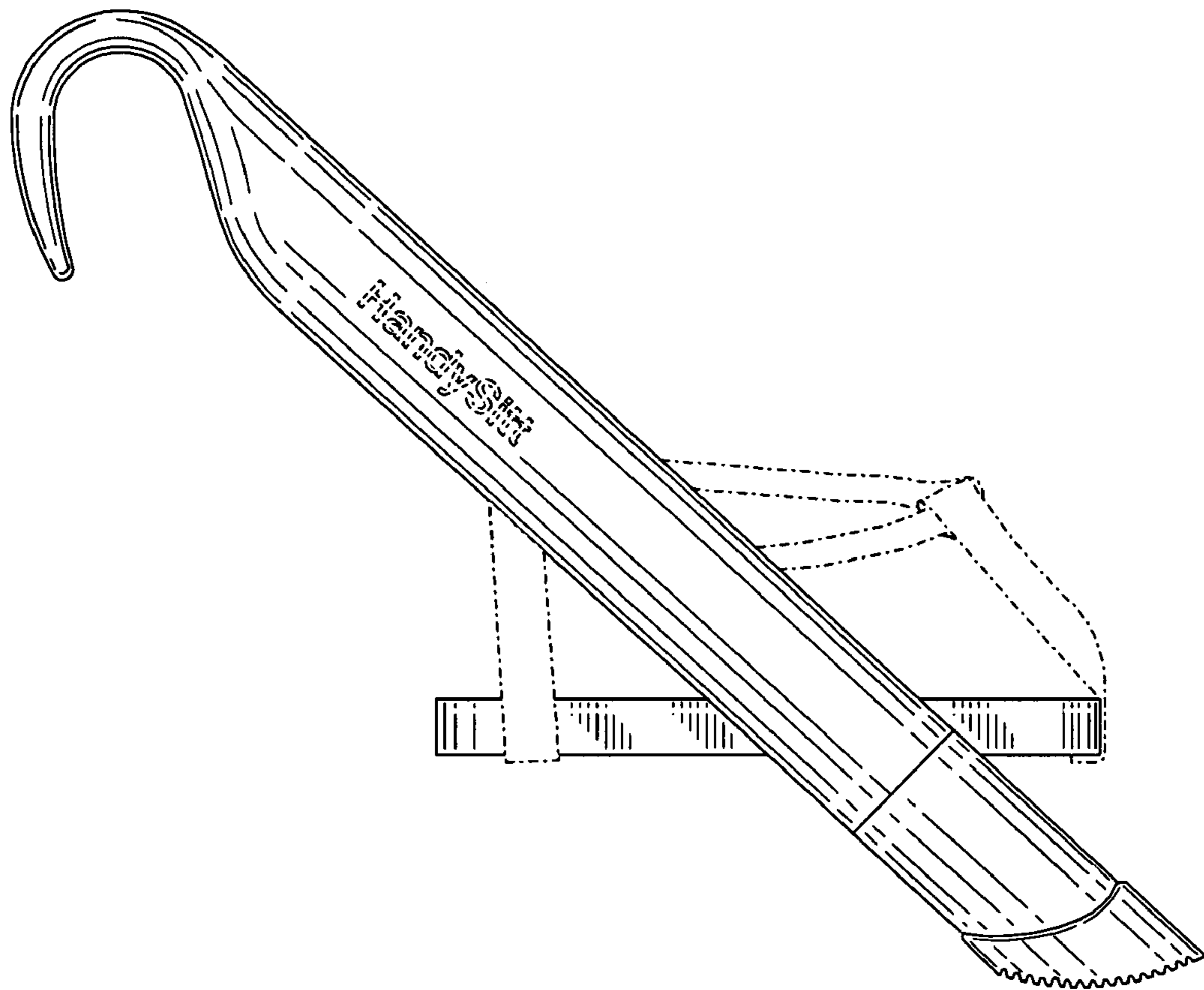


FIG. 2

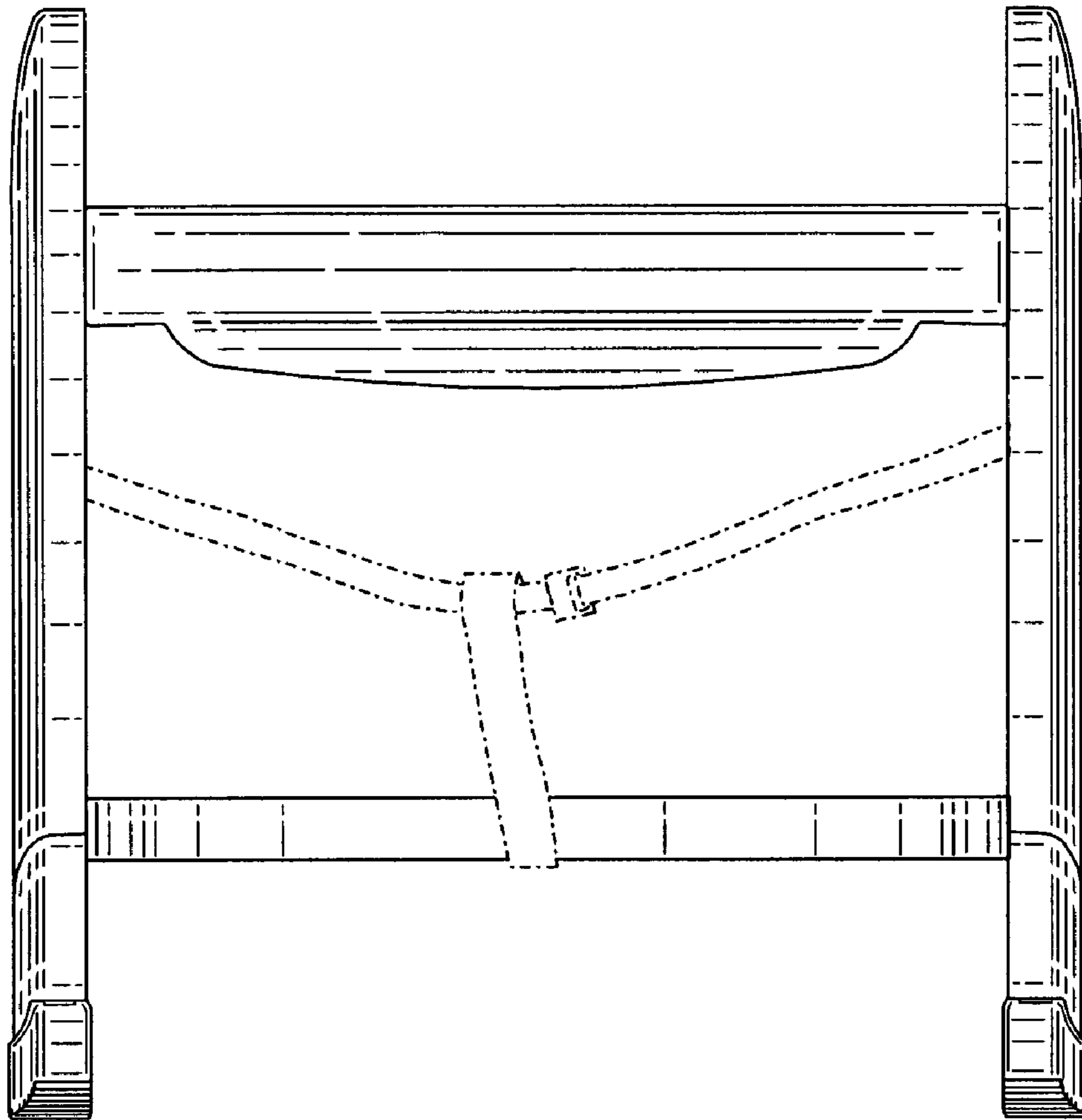


FIG. 3