



US00D565309S

(12) **United States Design Patent** (10) **Patent No.:** **US D565,309 S**
Cramer et al. (45) **Date of Patent:** **** Apr. 1, 2008**

(54) **SEATING FURNITURE**

(74) *Attorney, Agent, or Firm*—Boyle Fredrickson, S.C.

(75) Inventors: **E. Daniel Cramer**, Golden Valley, MN (US); **Paul A. James**, St. Louis Park, MN (US)

(57) **CLAIM**

The ornamental design for seating furniture, as shown and described.

(73) Assignee: **Krueger International, Inc.**, Green Bay, WI (US)

DESCRIPTION

(**) Term: **14 Years**

FIG. 1 is an isometric view of seating furniture in the form of an armless chair incorporating our new design;

(21) Appl. No.: **29/231,851**

FIG. 2 is a rear isometric view thereof;

(22) Filed: **Jun. 10, 2005**

FIG. 3 is a side, partially isometric view thereof;

(51) **LOC (8) Cl.** **06-01**

FIG. 4 is a side elevation view thereof;

(52) **U.S. Cl.** **D6/334**

FIG. 5 is a front elevation view thereof, wherein the break lines indicate indeterminate length;

(58) **Field of Classification Search** D6/334-338, D6/349, 355, 363, 364, 369-370, 381, 491, D6/500-502, 509, 511, 601; 297/16.1-16.2, 297/116, 135, 154, 187, 158.3, 158.4, 158.5, 297/184.1, 232, 244, 411.37, 440.1, 445.1; 5/12.1, 655.3

FIG. 6 is a top plan view thereof, wherein the break lines indicate indeterminate length;

See application file for complete search history.

FIG. 7 is a rear elevation view thereof, wherein the break lines indicate indeterminate length;

FIG. 8 is an isometric view of a loveseat embodiment thereof, wherein the break lines indicate indeterminate length;

(56) **References Cited**

U.S. PATENT DOCUMENTS

D175,131 S * 7/1955 Rutter D6/379
D213,190 S * 1/1969 Wafati D6/334
D236,305 S * 8/1975 Fisher D6/334

FIG. 9 is a side, partially isometric view thereof, wherein the break lines indicate indeterminate length; and,

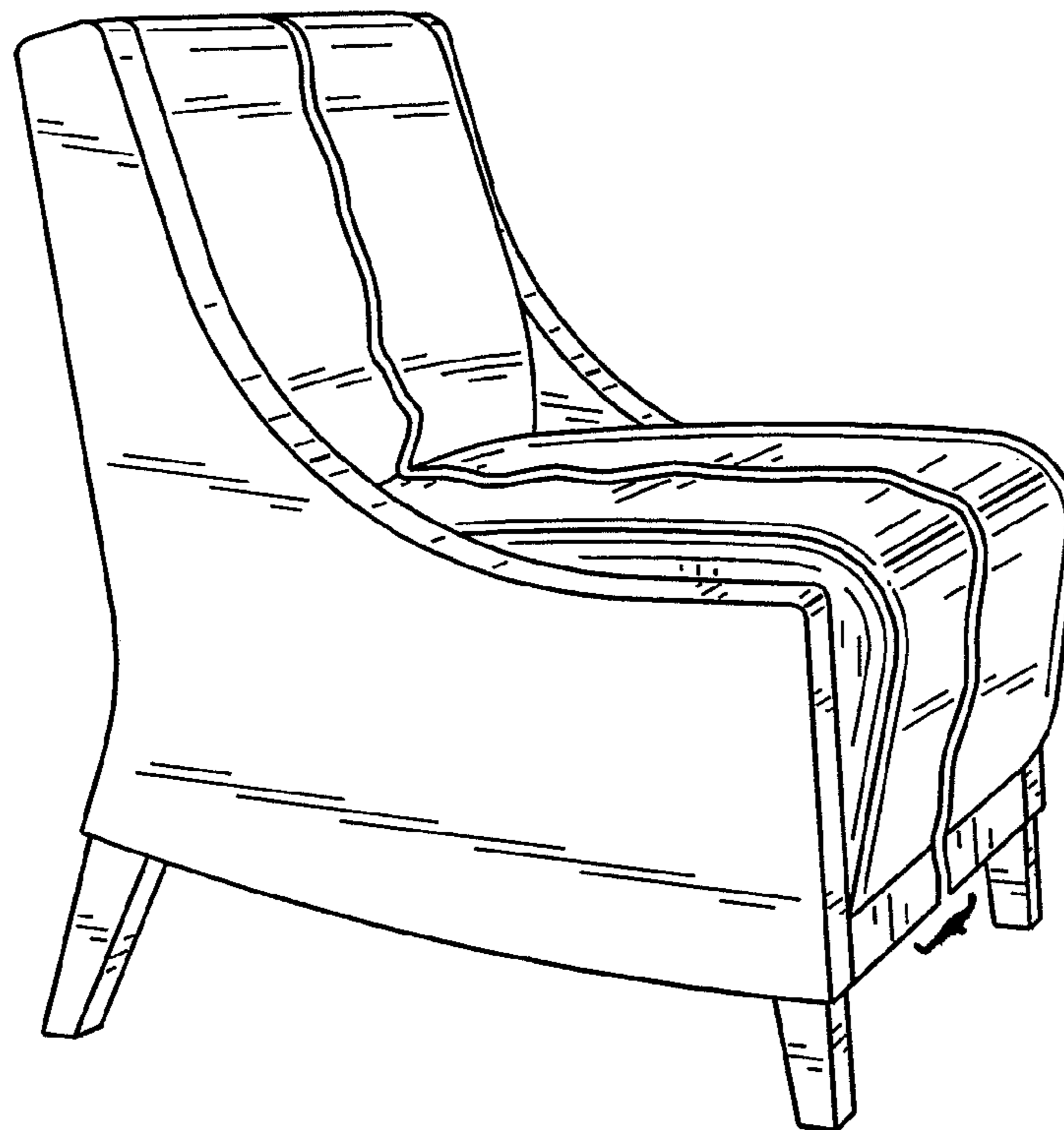
FIG. 10 is a front elevation view thereof, wherein the break lines indicate indeterminate length.

The broken lines shown in the drawings are for illustrative purposes only and form no part of the claimed design.

(Continued)

Primary Examiner—Sandra Snapp

1 Claim, 6 Drawing Sheets



US D565,309 S

Page 2

U.S. PATENT DOCUMENTS

D329,543 S	9/1992	Shields	
D337,444 S	7/1993	Lamalle	
D340,362 S	10/1993	Kiel	
D359,176 S	6/1995	Tihany	
D360,997 S	8/1995	Hutton	
D368,377 S	4/1996	Laslo	
D373,257 S	9/1996	Hutton	
D378,788 S	4/1997	Tihany	
D379,269 S	5/1997	Hutton	
D392,469 S *	3/1998	De Blaay	D6/334
D405,286 S	2/1999	James et al.	
D409,408 S	5/1999	James et al.	
D420,823 S	2/2000	Tyler	
D421,853 S	3/2000	Black	
D422,422 S	4/2000	Black	
D431,117 S	9/2000	Hutton	
D431,118 S	9/2000	Hutton	
D432,806 S	10/2000	Gomez	
D446,959 S	8/2001	Cramer	
D447,353 S	9/2001	Peloquin	
D451,688 S	12/2001	Cramer	
D454,715 S	3/2002	Olson	
D463,146 S	9/2002	Striebel	
D465,341 S	11/2002	Hutton	
D465,662 S *	11/2002	Hutton	D6/334
D465,671 S	11/2002	Sheil et al.	
D466,313 S *	12/2002	Hutton	D6/334
D468,920 S	1/2003	Striebel	
D473,060 S	4/2003	Hutton	
D473,723 S	4/2003	Pesso	
D476,822 S	7/2003	Schweikarth	
D477,720 S *	7/2003	Diaz-Azcuy	D6/369
D480,567 S	10/2003	Ricci	
D481,549 S	11/2003	Turner et al.	
D486,652 S	2/2004	Nemeth	
D489,908 S	5/2004	Ricci	
D491,382 S	6/2004	Caldwell	
D491,756 S	6/2004	Nemeth	
D498,598 S	11/2004	Schweikarth et al.	
D502,818 S	3/2005	Thompson	
D504,254 S	4/2005	Yang et al.	
D504,781 S *	5/2005	Suzuki et al.	D6/334
D504,787 S	5/2005	Shin	
D505,276 S *	5/2005	Cronk et al.	D6/334
D535,483 S *	1/2007	Hutton	D6/334

* cited by examiner

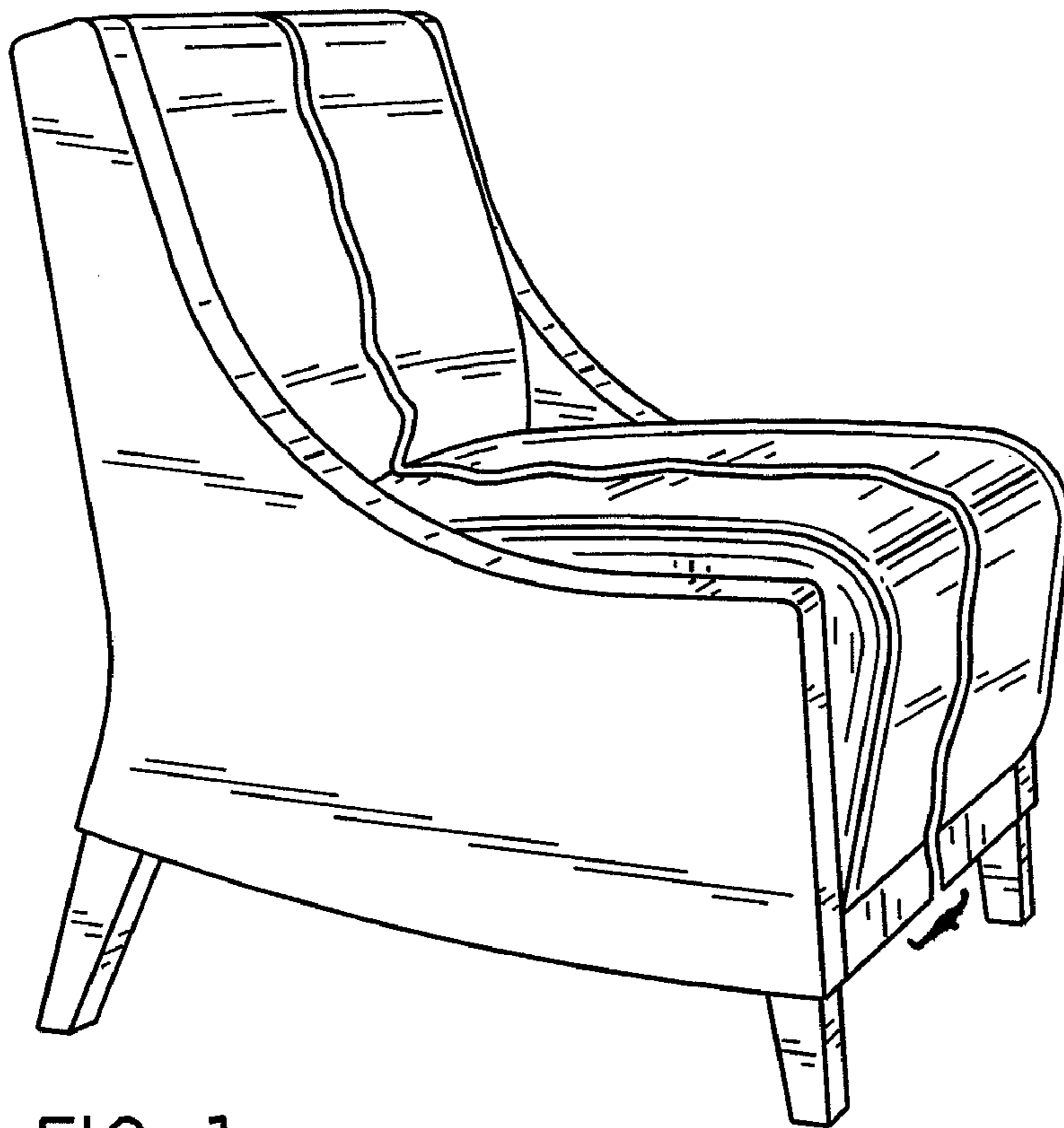


FIG. 1

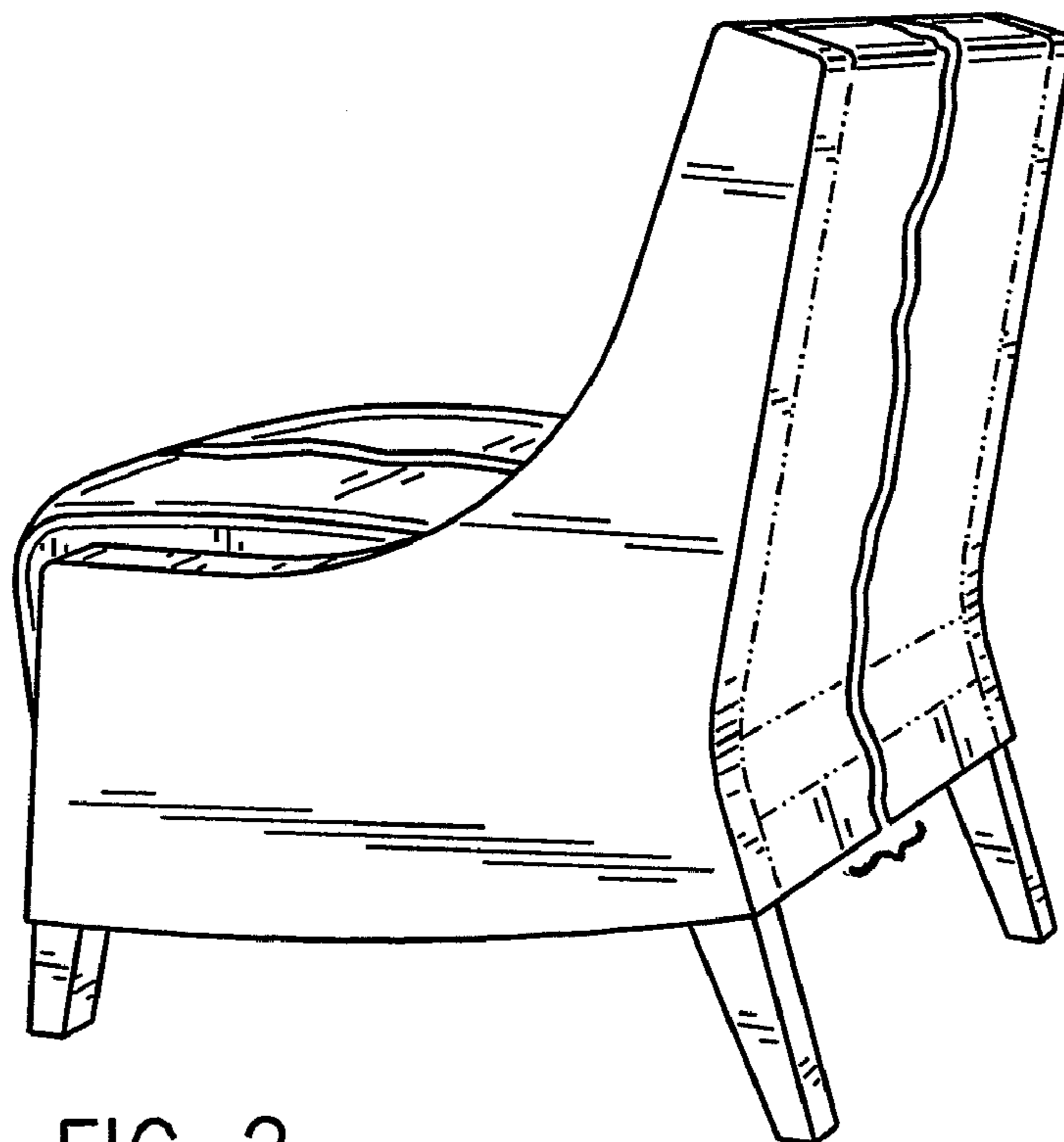


FIG. 2

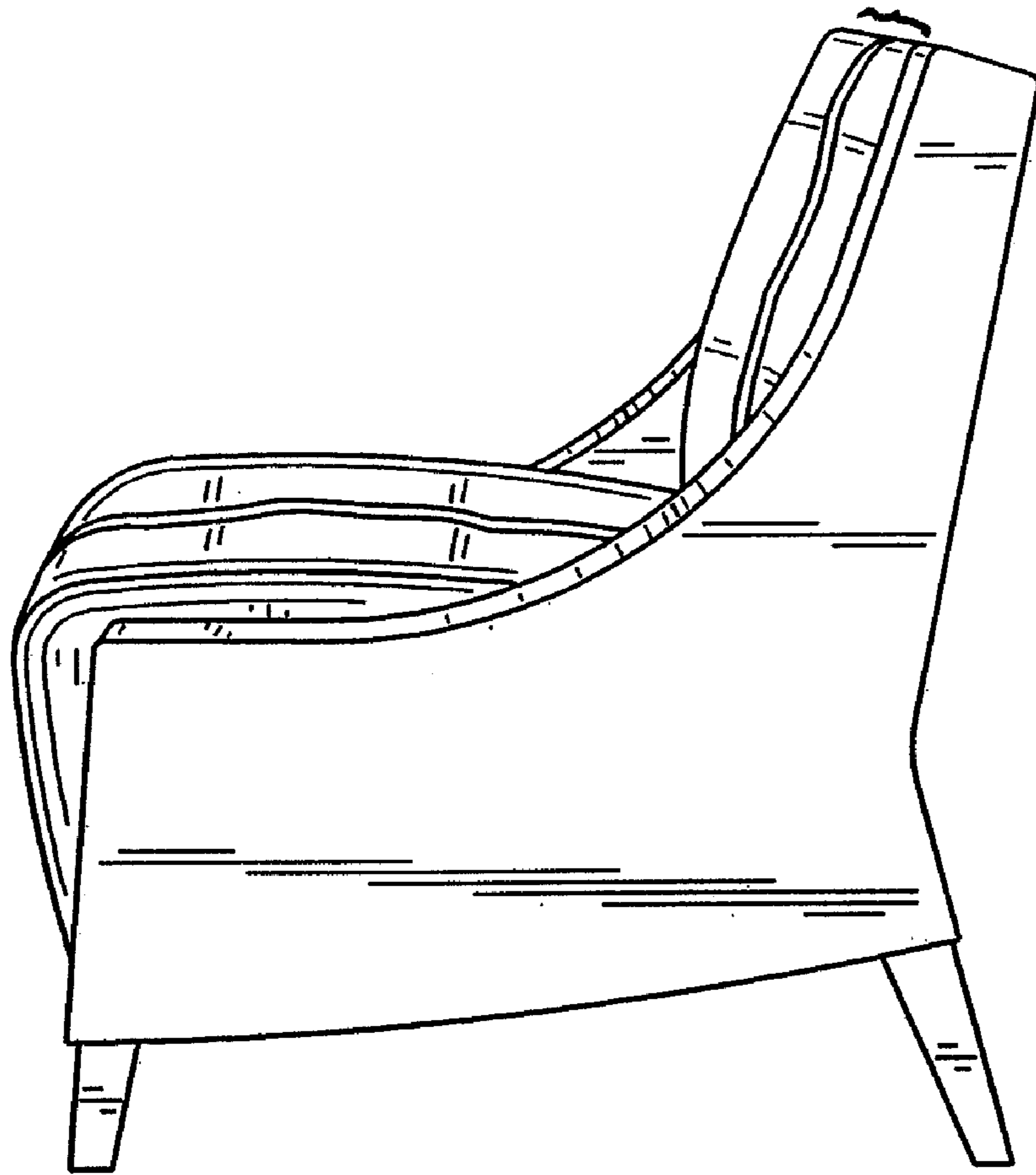


FIG. 3

FIG. 4

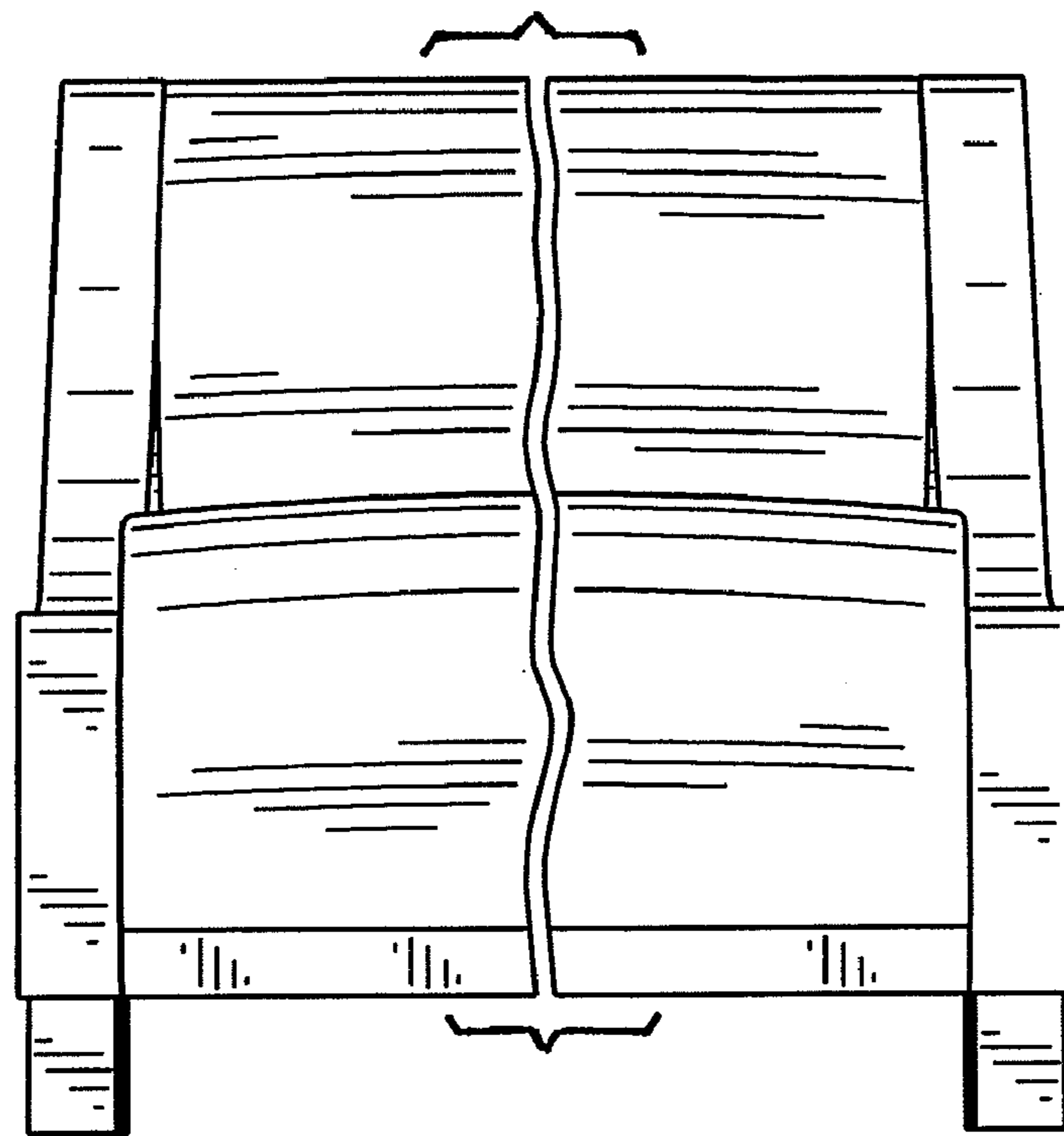
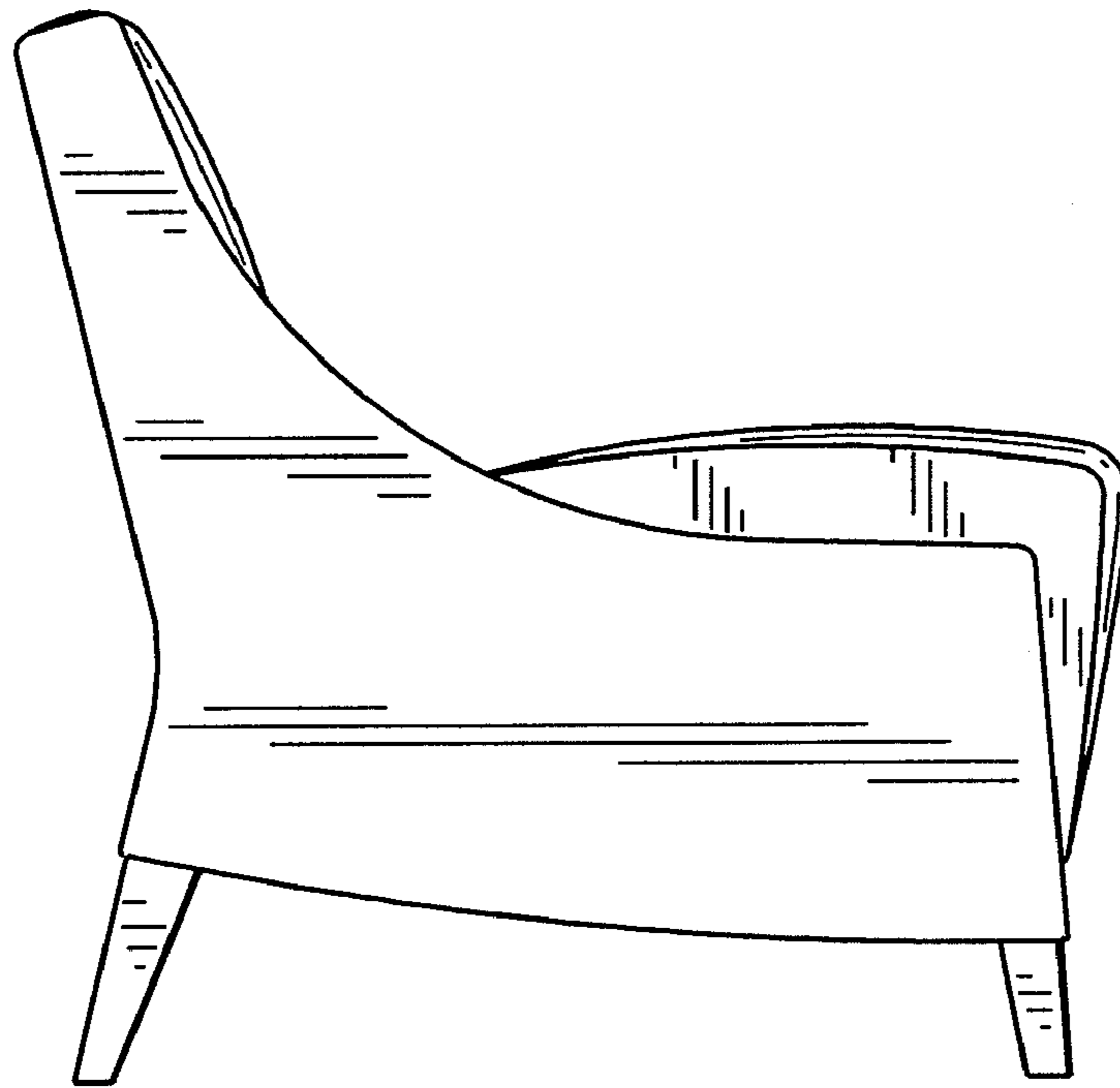


FIG. 5

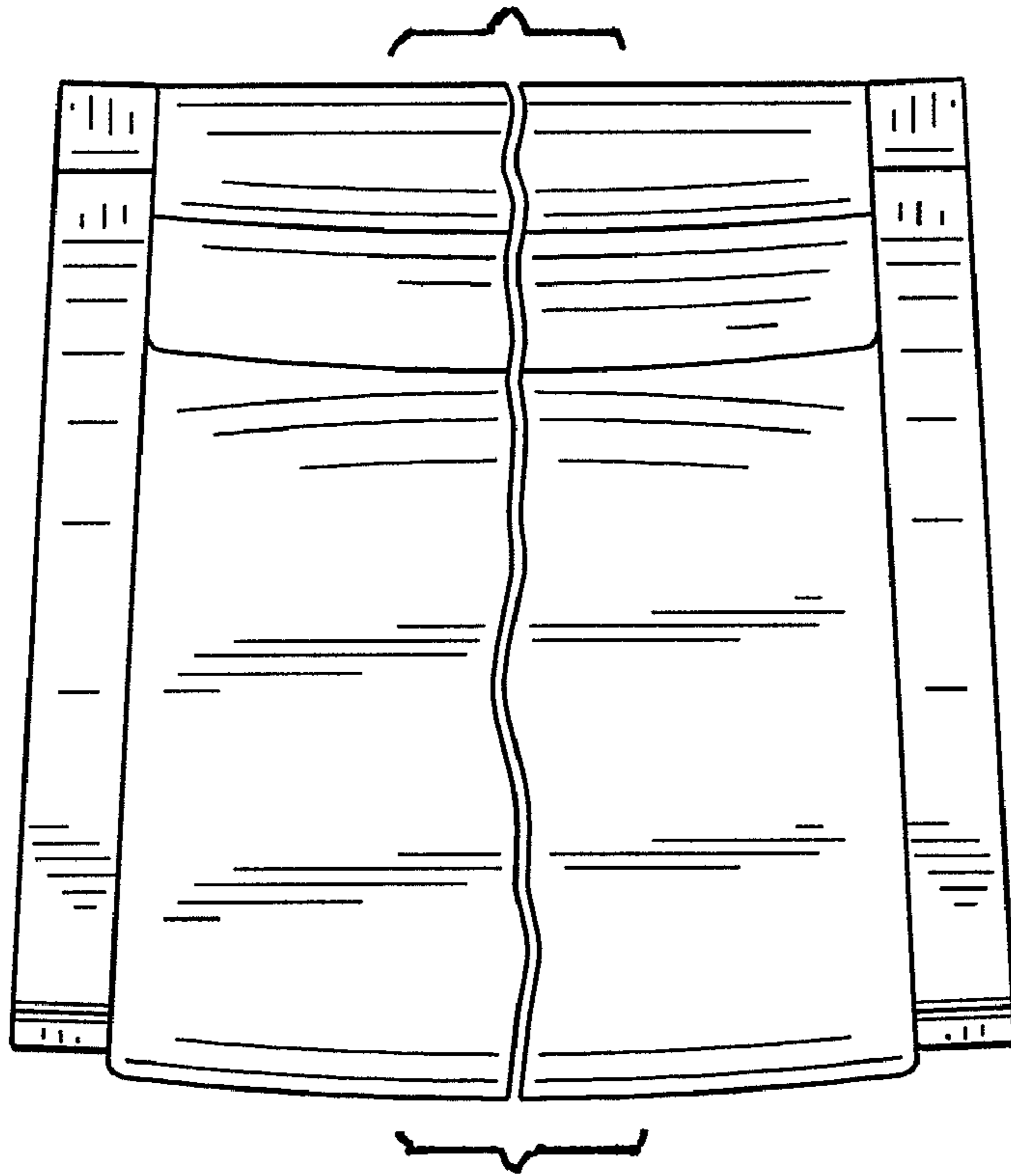


FIG. 6

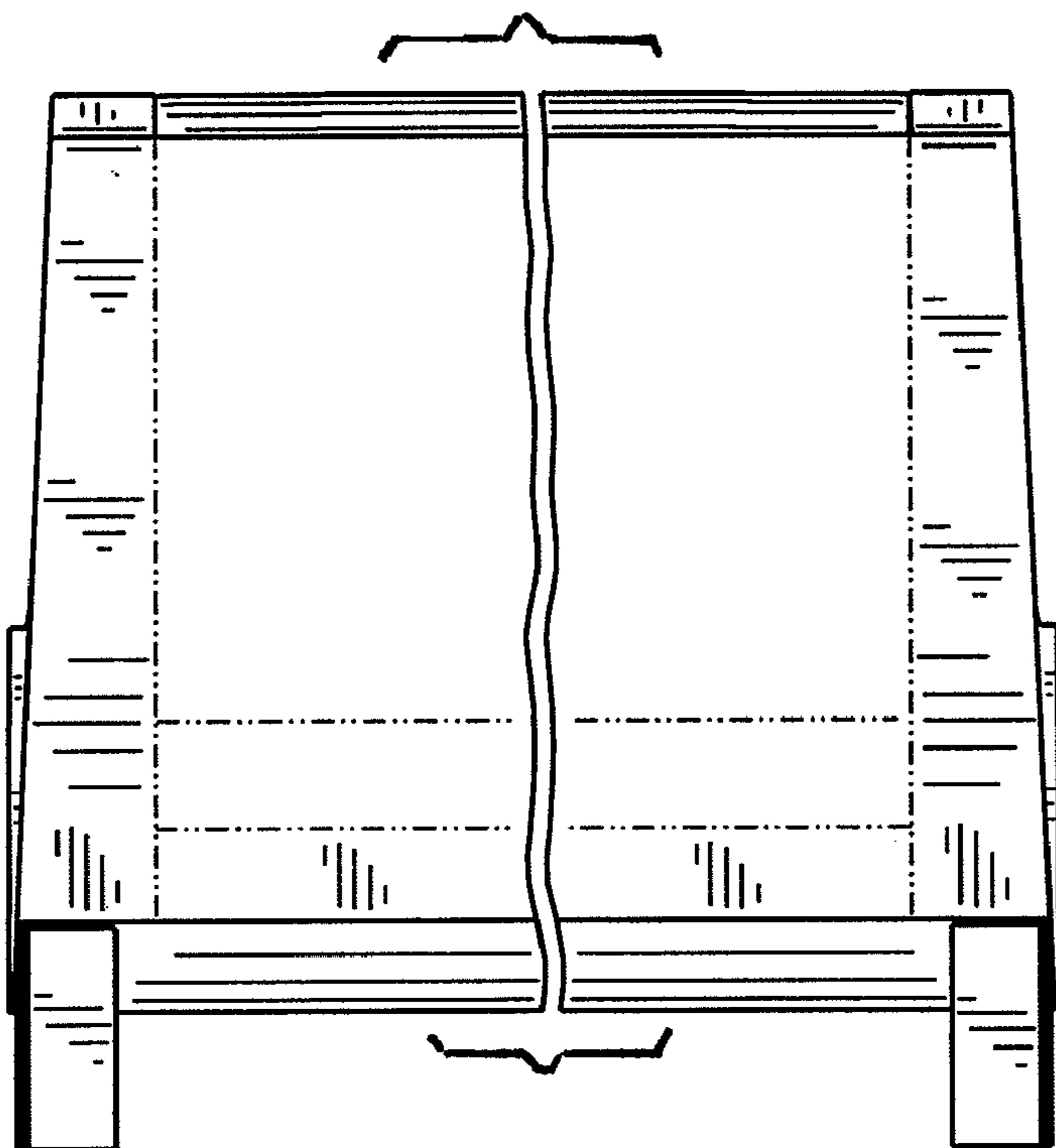


FIG. 7

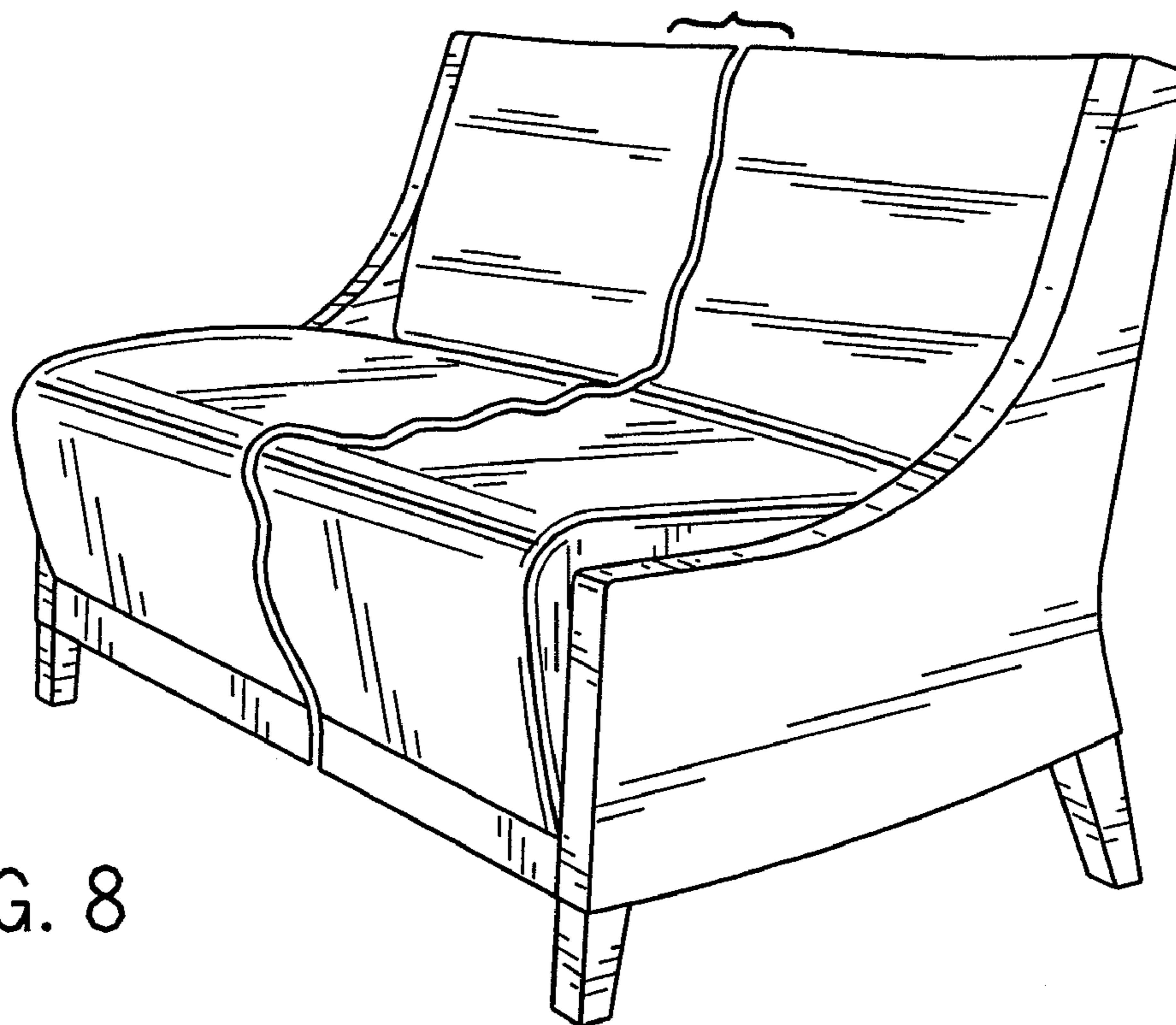


FIG. 8

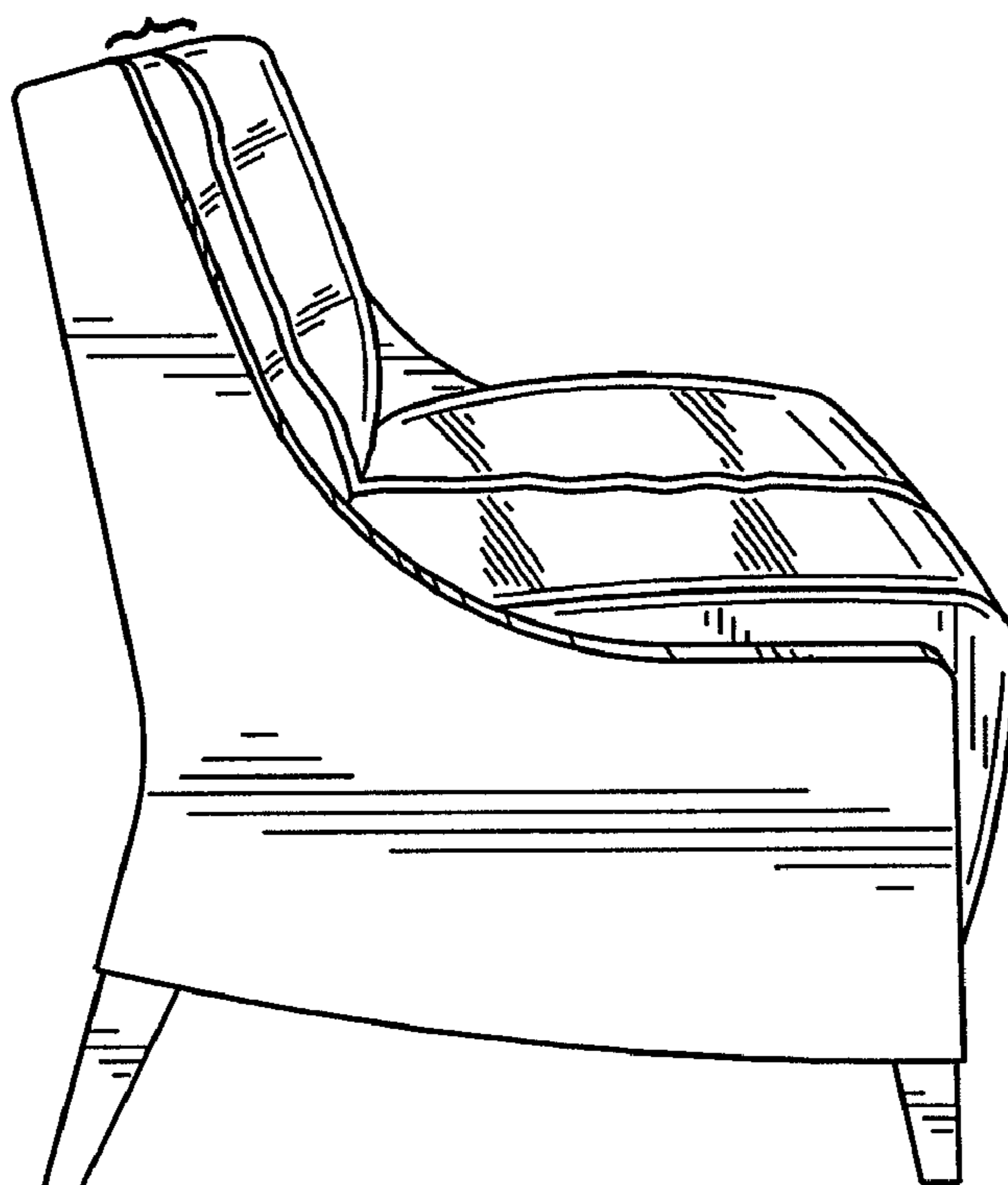


FIG. 9

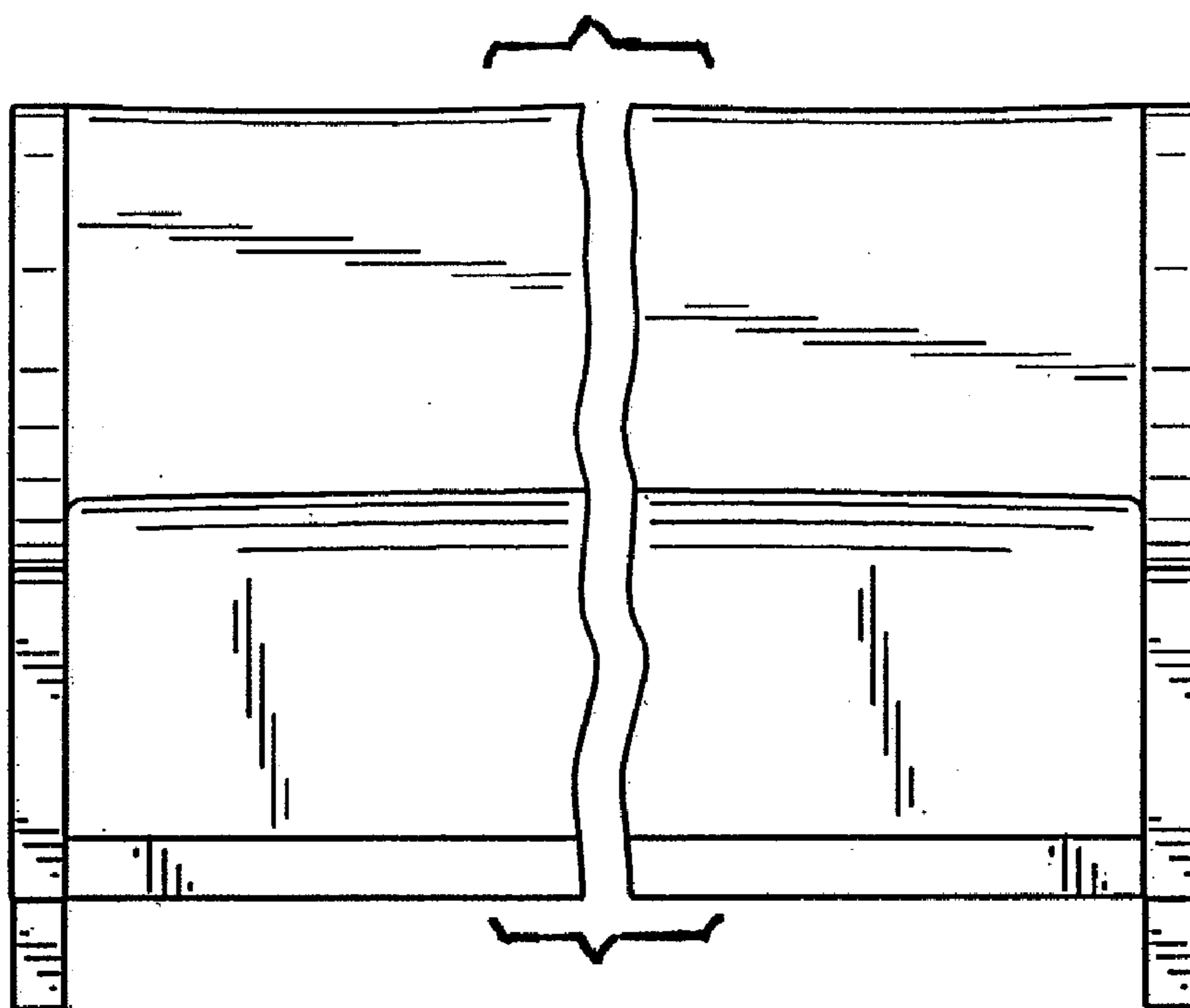


FIG. 10