

US00D565308S

(12) **United States Design Patent**  
**Gouldson**

(10) **Patent No.:** **US D565,308 S**

(45) **Date of Patent:** **\*\* Apr. 1, 2008**

(54) **LEGGING HANGER WITH TOP SIZER**

(75) **Inventor:** **Stanley F. Gouldson**, Northport, NY  
(US)

(73) **Assignee:** **Spotless Plastics Pty. Ltd.**, Moorabbin,  
Victoria (AU)

(\*\*) **Term:** **14 Years**

(21) **Appl. No.:** **29/286,335**

(22) **Filed:** **May 2, 2007**

(51) **LOC (8) Cl.** ..... **06-08**

(52) **U.S. Cl.** ..... **D6/319**

(58) **Field of Classification Search** ..... D6/315,  
D6/319, 323, 325, 326, 328; 211/13.1, 85.3;  
223/85-98

See application file for complete search history.

(56) **References Cited**

**U.S. PATENT DOCUMENTS**

1,868,503	A *	7/1932	Kennedy, Jr.	62/350
3,317,177	A *	5/1967	Brand	249/119
3,480,251	A *	11/1969	Pietrzak	249/127
D245,008	S *	7/1977	LaLonde	D15/90
D245,985	S *	10/1977	Talbert	D15/90
D250,117	S *	10/1978	Lalonde	D15/90

4,148,457	A *	4/1979	Gurbin	249/130
4,432,529	A *	2/1984	McMillan	249/52
4,967,995	A *	11/1990	Burgess	249/70
5,044,600	A *	9/1991	Shannon	249/121
6,168,131	B1 *	1/2001	Tabatabaie	249/121
D444,480	S *	7/2001	Shultz et al.	15/90
D451,676	S *	12/2001	Dembicks	D3/313

\* cited by examiner

*Primary Examiner*—Stella M. Reid

*Assistant Examiner*—Shanda C. Hill

(74) *Attorney, Agent, or Firm*—Scully, Scott, Murphy & Presser, PC

(57) **CLAIM**

The ornamental design for a legging hanger with top sizer, as shown and described.

**DESCRIPTION**

FIG. 1 illustrates a front plan view of the legging hanger with top sizer showing my new and ornamental design; the rear view being a mirror-image thereof;

FIG. 2 illustrates a side view thereof; and,

FIG. 3 illustrates an enlarged sectional view taken along line 3—3 in FIG. 1.

**1 Claim, 1 Drawing Sheet**

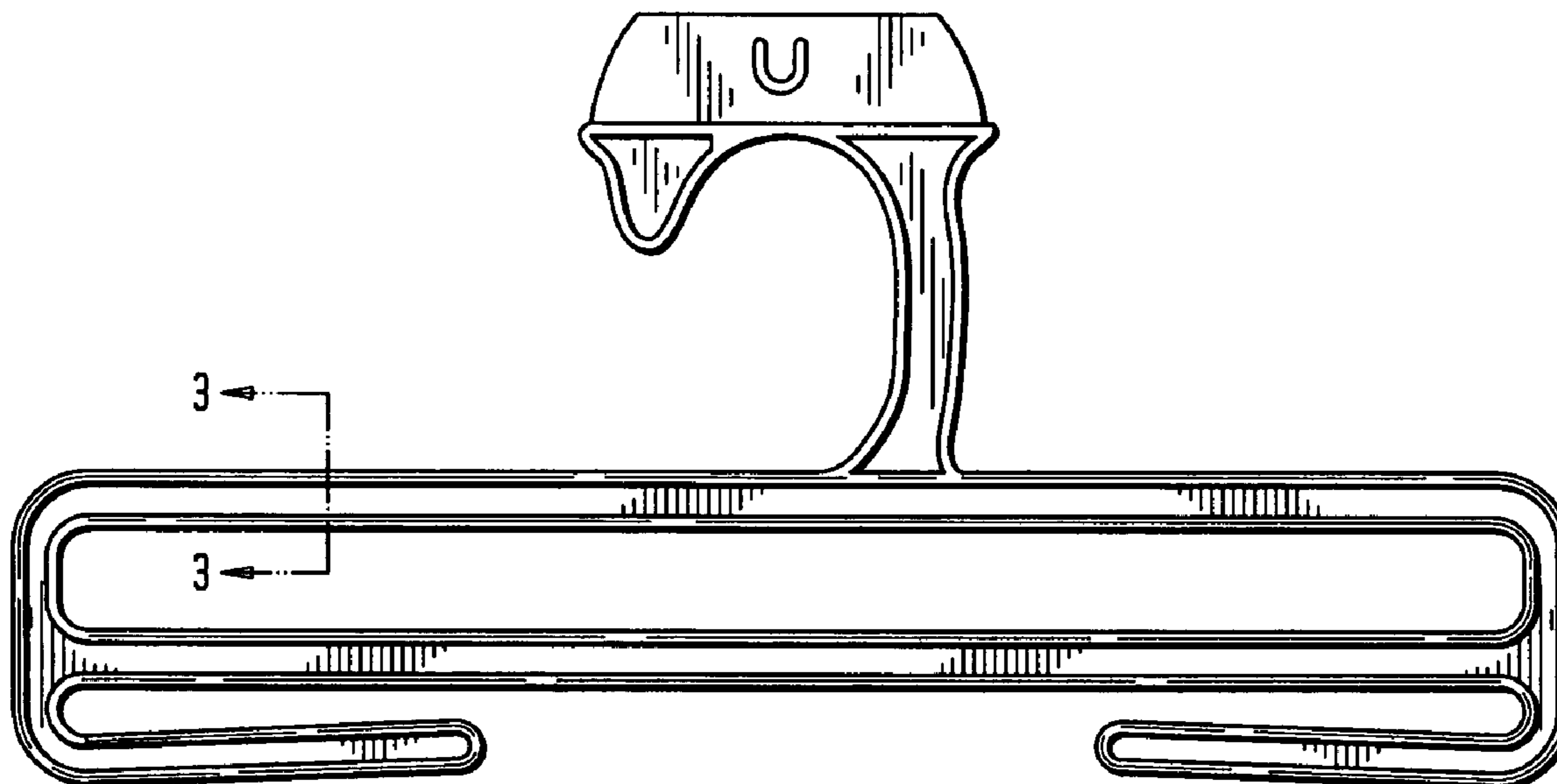


FIG. 2



FIG. 1

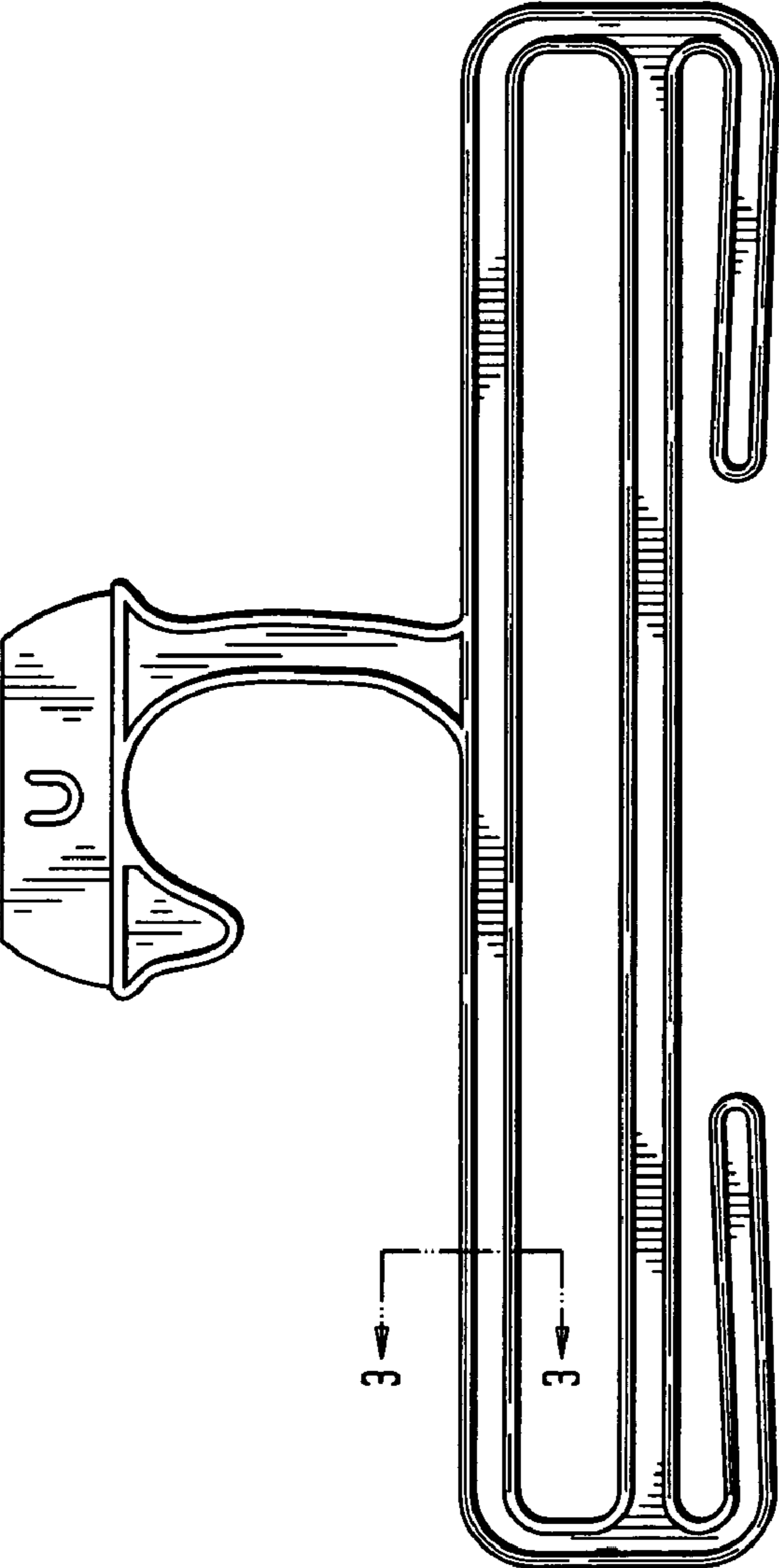


FIG. 3

