



US00D565307S

(12) **United States Design Patent**
Hunting et al.

(10) **Patent No.:** **US D565,307 S**

(45) **Date of Patent:** **** Apr. 1, 2008**

(54) **REAR PORTION OF A FRAME FOR MOUNTING TO A PREMOUNTED MIRROR OR THE LIKE**

(76) Inventors: **Lisa Hunting**, 1369 Bellemeade La., Charlotte, NC (US) 28270; **Mark Lacko**, 50 Lisburne La., Garrison, NY (US) 10524

(**) Term: **14 Years**

(21) Appl. No.: **29/218,587**

(22) Filed: **Dec. 3, 2004**

Related U.S. Application Data

(63) Continuation-in-part of application No. 10/663,963, filed on Sep. 16, 2003, now Pat. No. 7,093,403.

(51) **LOC (8) Cl.** **06-04**

(52) **U.S. Cl.** **D6/300**

(58) **Field of Classification Search** D6/300-314;
40/700, 785, 782, 759, 768, 790, 796, 156,
40/777, 740, 739, 743, 155; 403/295
See application file for complete search history.

(56) **References Cited**

U.S. PATENT DOCUMENTS

1,388,956	A *	8/1921	Kozlowsky et al.	40/742
2,442,967	A *	6/1948	Barrett et al.	40/742
4,373,279	A *	2/1983	Abel et al.	40/739
4,538,936	A *	9/1985	Zeidl	403/402
4,790,089	A *	12/1988	Astolfi	40/792
4,802,294	A *	2/1989	Baus	40/782
5,335,434	A *	8/1994	Shultz et al.	40/766
5,799,430	A *	9/1998	Fremstad	40/785
6,101,753	A *	8/2000	Shieh	40/782
6,898,886	B1 *	5/2005	Montecalvo	40/740
2005/0091899	A1 *	5/2005	Houssian	40/785

OTHER PUBLICATIONS

U.S. Appl. No. 10/663,963, filed Sep. 16, 2003; In re: Huntting et al., entitled *Frame For Mounting To A Premounted Mirror*.

F-4000 Cornerlock™ Joiner, The Fletcher-Terry Company, http://www.fletcher-terry.com/fletcherterry/catalog/viewfamily.jsp?level=4&parent_id=128&parent_id..., dated May 6, 2003, 4 pages. 4 Photographs of The Rear of A Prior Art Picture Frame.

* cited by examiner

Primary Examiner—Caron D. Veynar

Assistant Examiner—Sydney Buffalow

(74) *Attorney, Agent, or Firm*—Adams Intellectual Property Law, P.A.

(57) **CLAIM**

The ornamental design for a rear portion of a frame for mounting to a premounted mirror or the like, as shown and described.

DESCRIPTION

FIG. 1 is an elevation view of a rear portion of a frame for mounting to a premounted mirror or the like showing my new design;

FIG. 2 is a perspective view of the rear of the frame of FIG. 1;

FIG. 3 is another perspective view of the rear of the frame of FIG. 1;

FIG. 4 is an elevation view of a rear of a frame that is for mounting to a premounted mirror, or the like, so that the rear of the frame is in opposing face-to-face relation with the front of the premounted mirror, or the like, according to a second embodiment of the present invention;

FIG. 5 is a perspective view of the rear of the frame of FIG. 4;

FIG. 6 is another perspective view of the rear of the frame of FIG. 4;

FIG. 7 is an elevation view of a rear of a frame that is for mounting to a premounted mirror, or the like, so that the rear of the frame is in opposing face-to-face relation with the front of the premounted mirror, or the like, according to a third embodiment of the present invention;

FIG. 8 is a perspective view of the rear of the frame of FIG. 7;

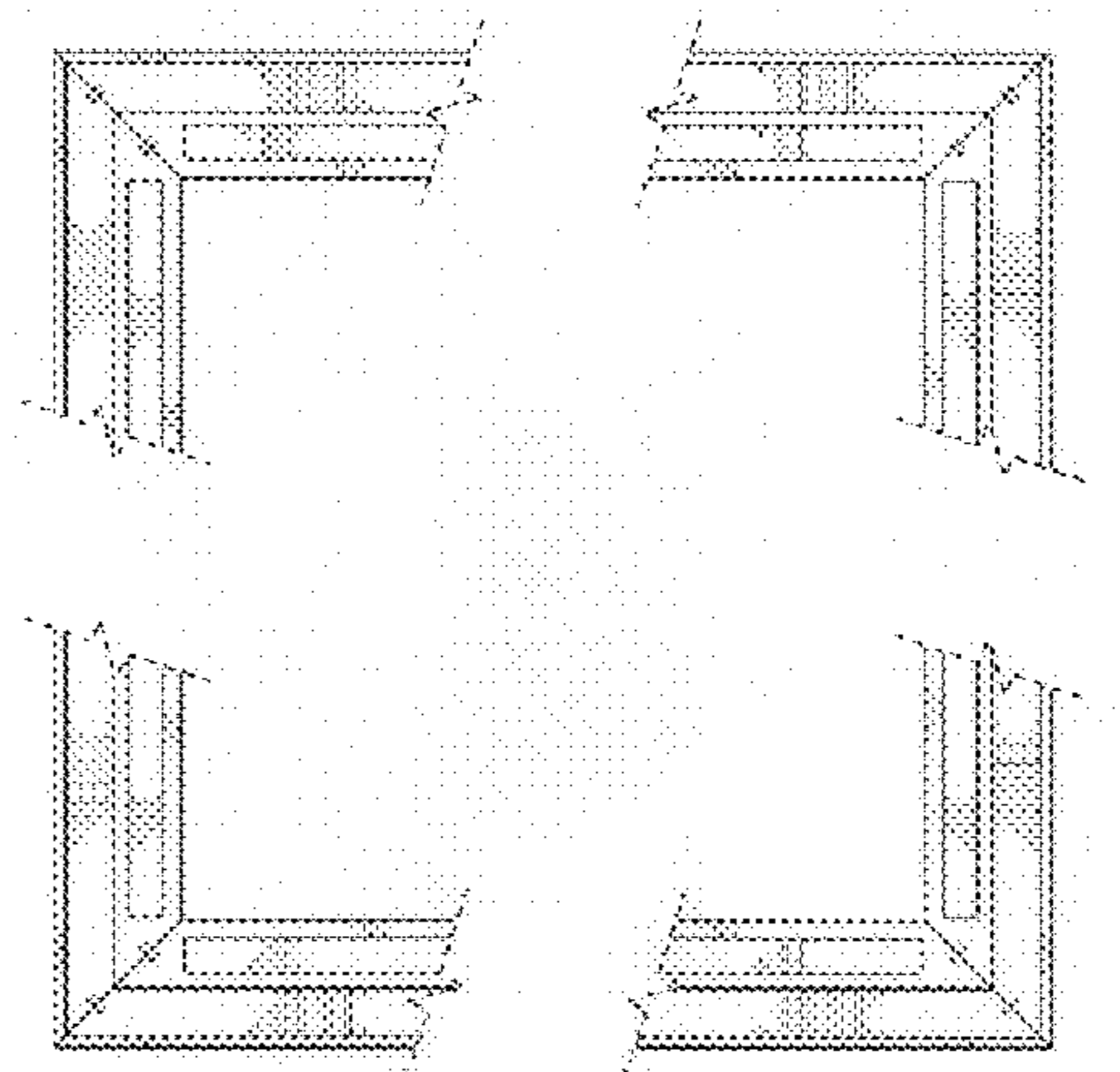


FIG. 9 is another perspective view of the rear of the frame of FIG. 7;

FIG. 10 is an elevation view of a rear of a frame that is for mounting to a premounted mirror, or the like, so that the rear of the frame is in opposing face-to-face relation with the front of the premounted mirror, or the like, according to a fourth embodiment of the present invention;

FIG. 11 is a perspective view of the rear of the frame of FIG. 10;

FIG. 12 is another perspective view of the rear of the frame of FIG. 10;

FIG. 13 is an elevation view of a rear of a frame that is for mounting to a premounted mirror, or the like, so that the rear of the frame is in opposing face-to-face relation with the front of the premounted mirror, or the like, according to a fifth embodiment of the present invention;

FIG. 14 is a perspective view of the rear of the frame of FIG. 13;

FIG. 15 is another perspective view of the rear of the frame of FIG. 13;

FIG. 16 is an elevation view of a rear of a frame that is for mounting to a premounted mirror, or the like, so that the rear of the frame is in opposing face-to-face relation with the front of the premounted mirror, or the like, according to a sixth embodiment of the present invention;

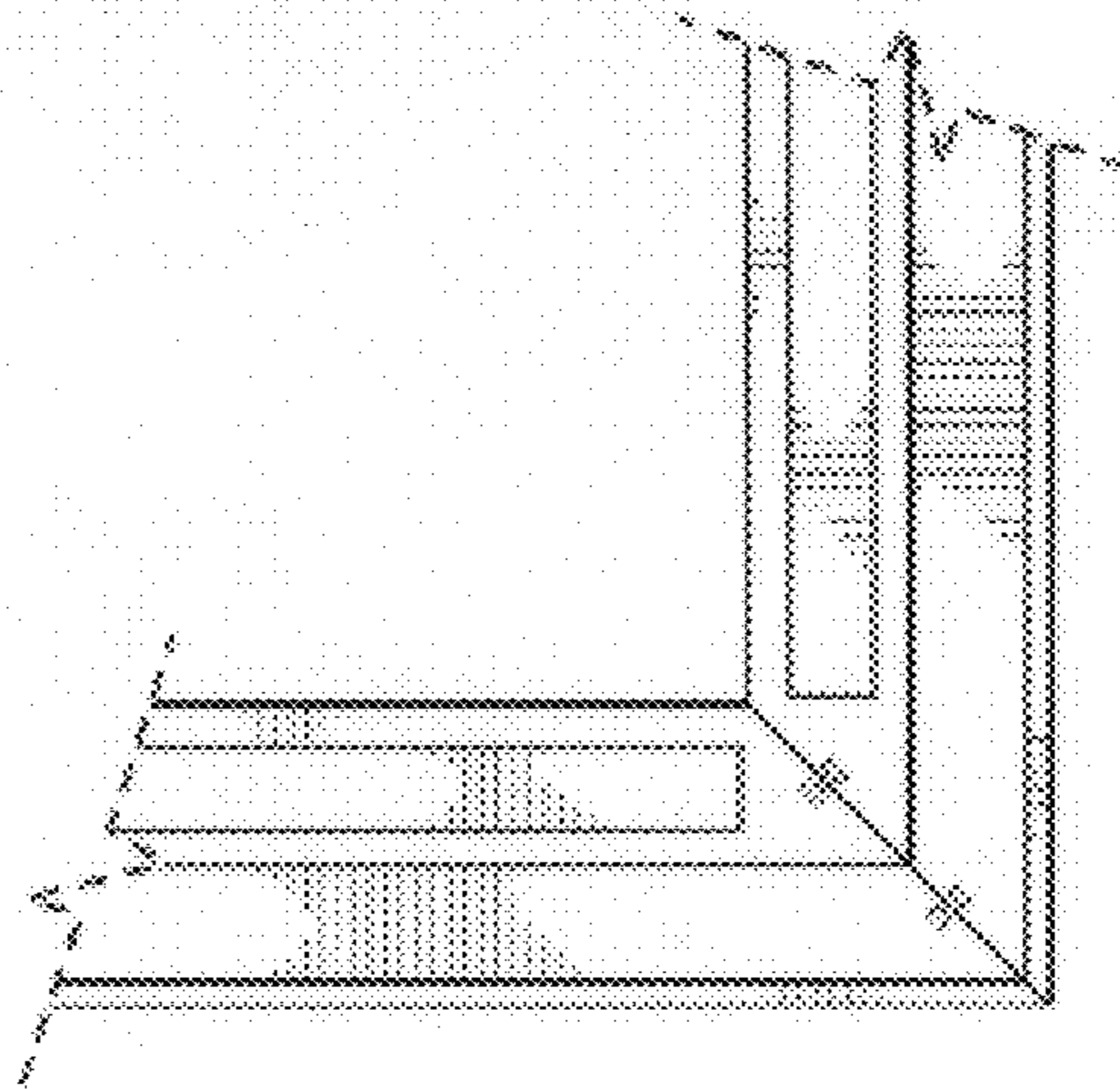
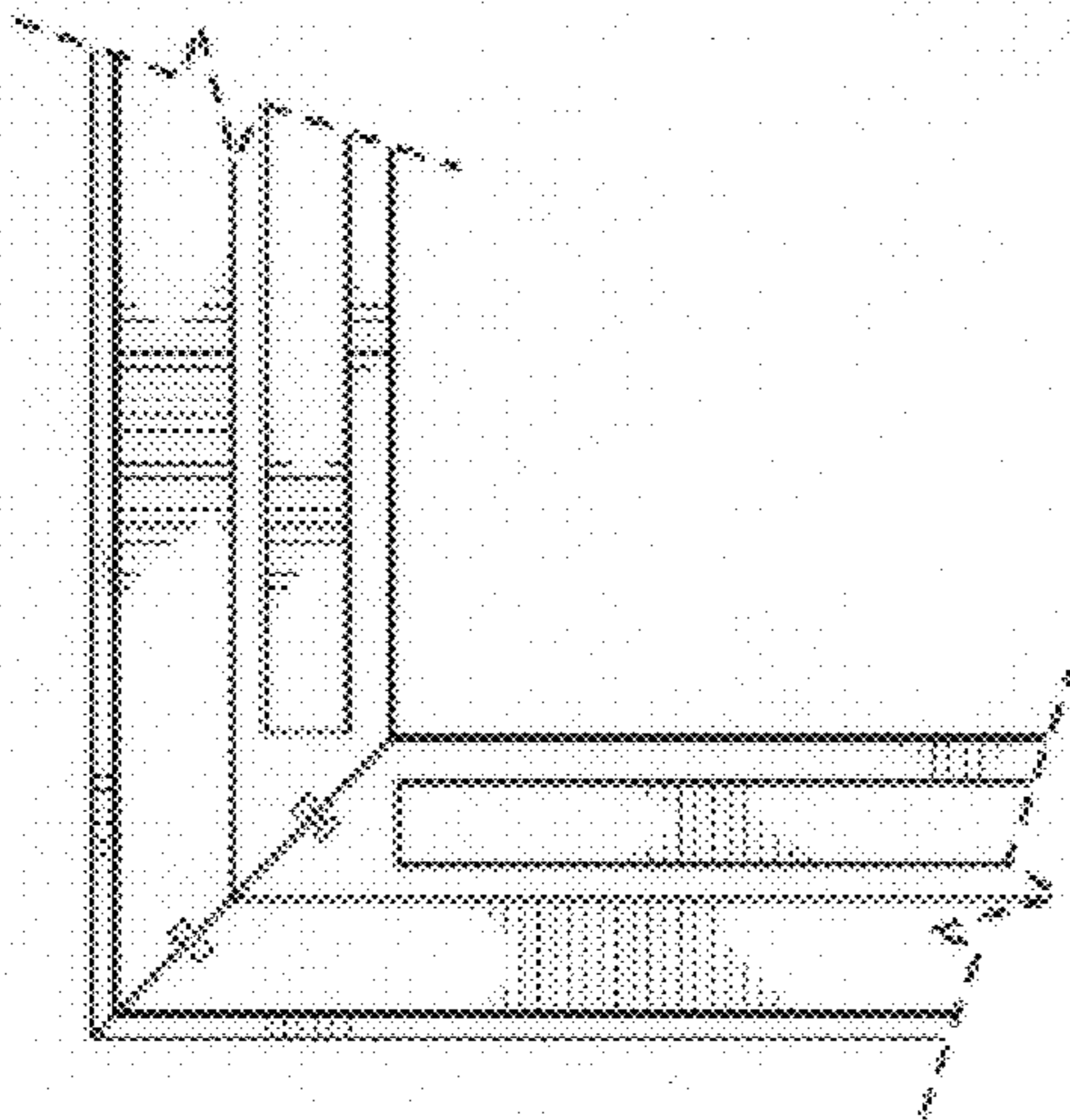
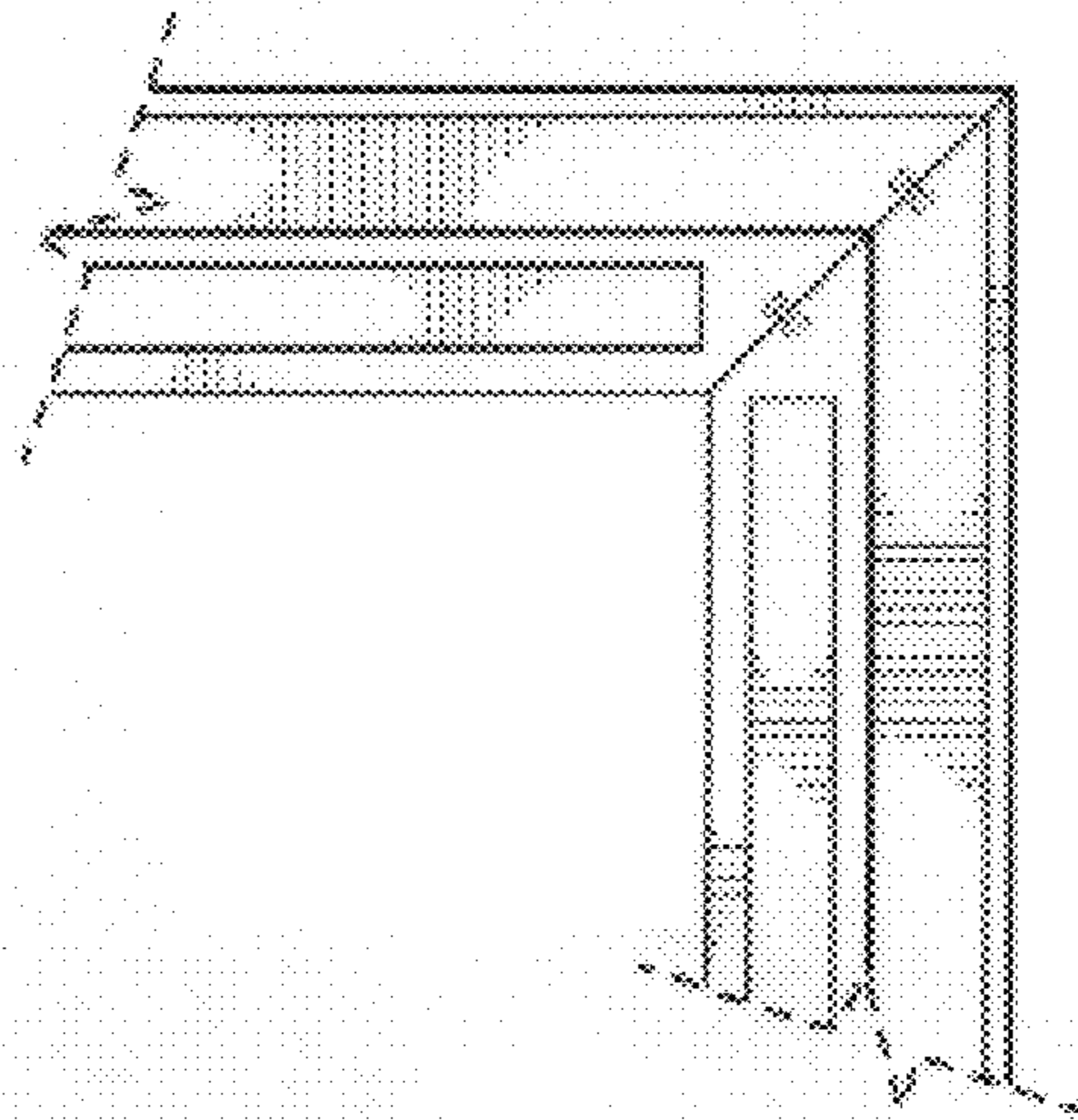
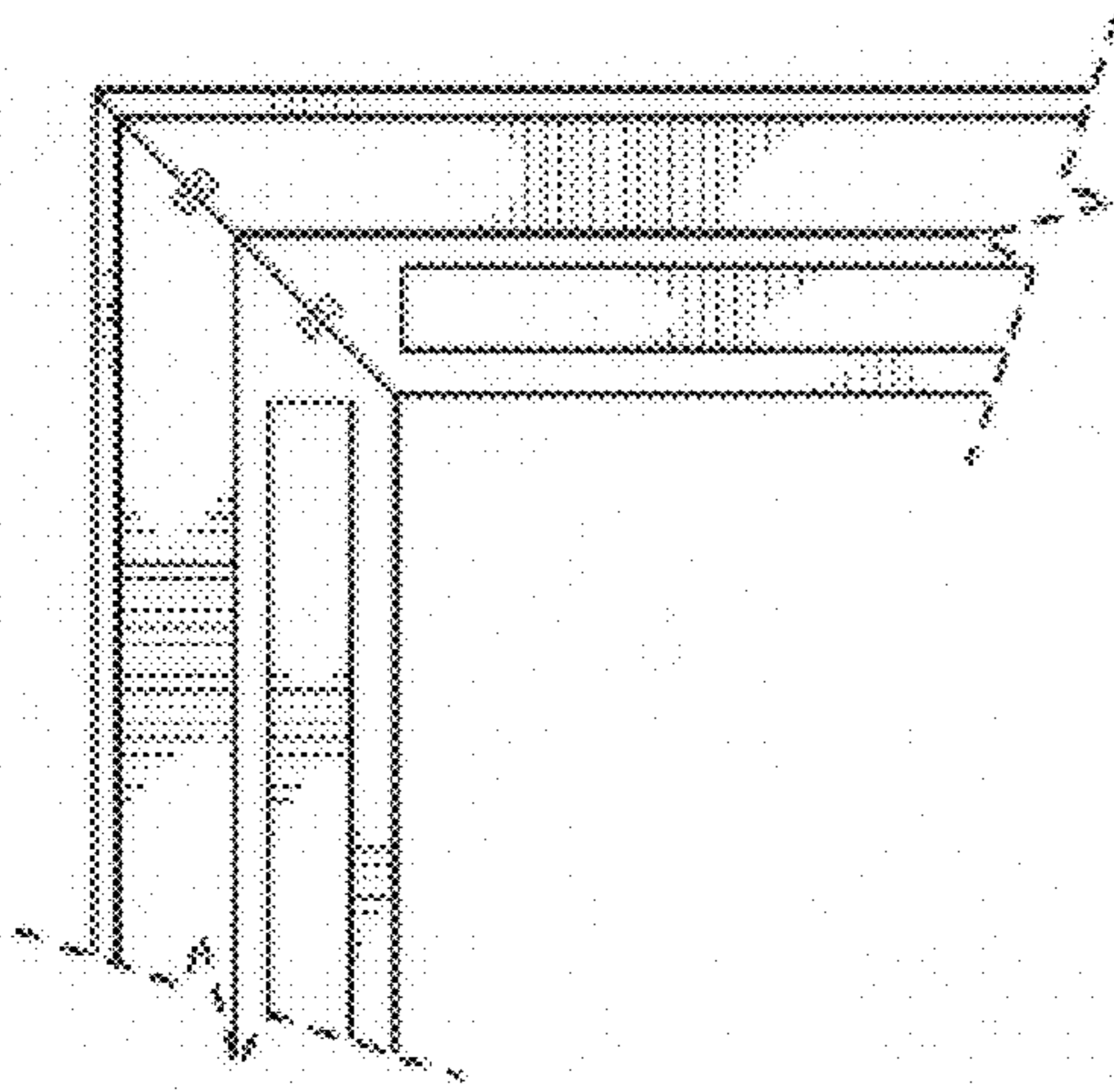
FIG. 17 is a perspective view of the rear of the frame of FIG. 16; and,

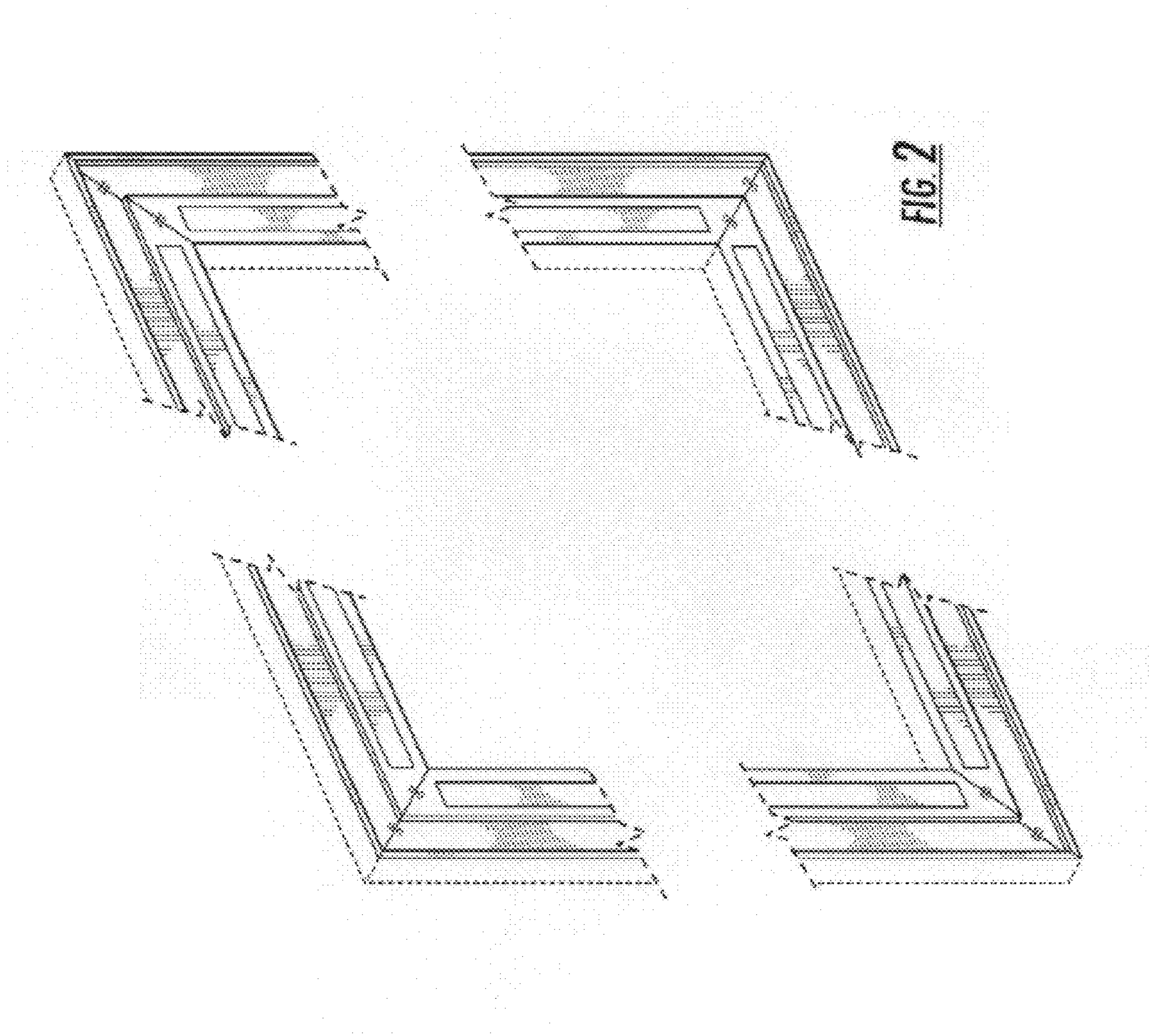
FIG. 18 is another perspective view of the rear of the frame of FIG. 16.

The broken lines shown herein are for illustrative purposes and form no part of the claimed design. Some of the broken lines shown herein are for respectively illustrating indeterminate length and/or height and/or width.

1 Claim, 18 Drawing Sheets

FIG 1





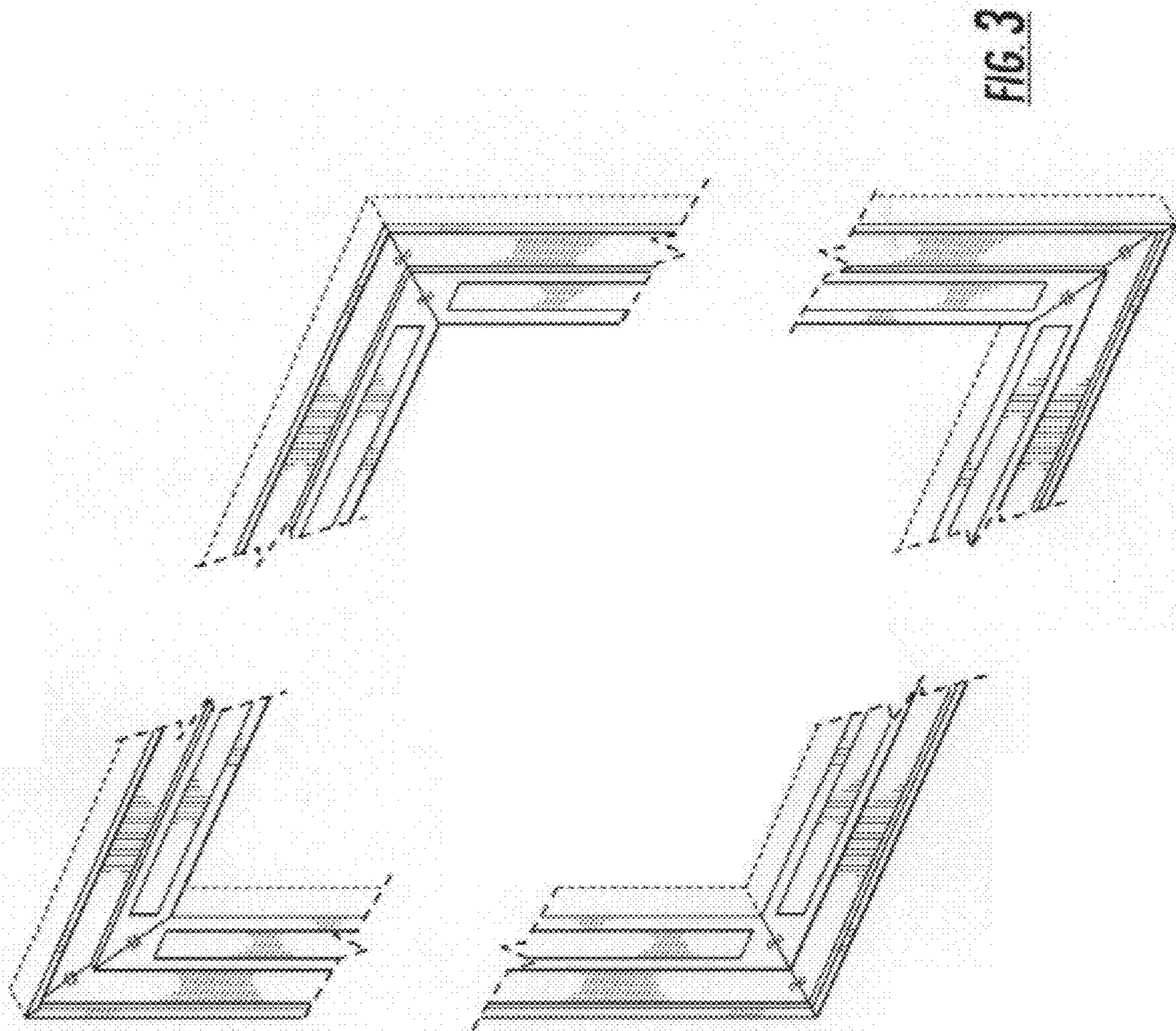
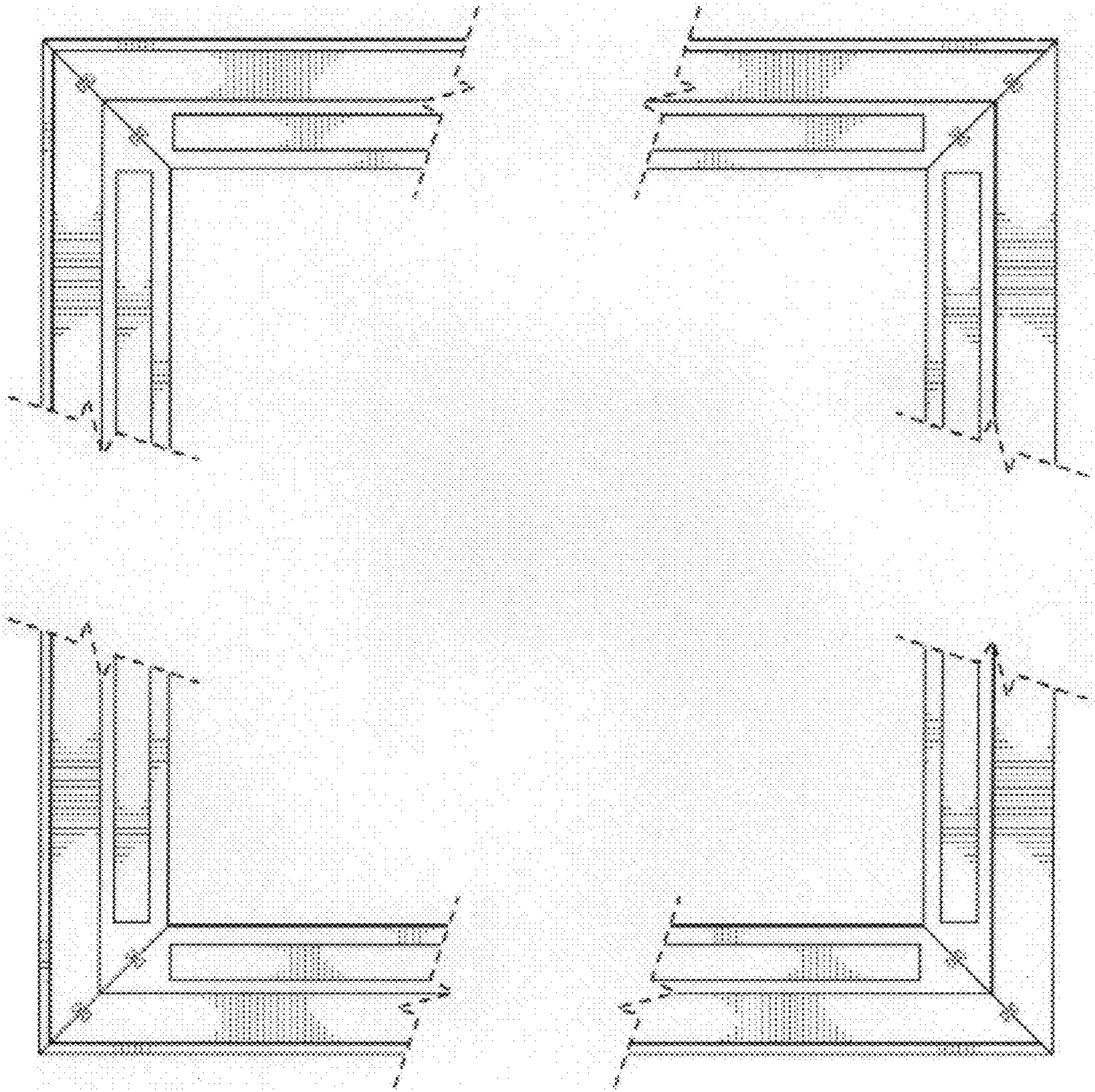
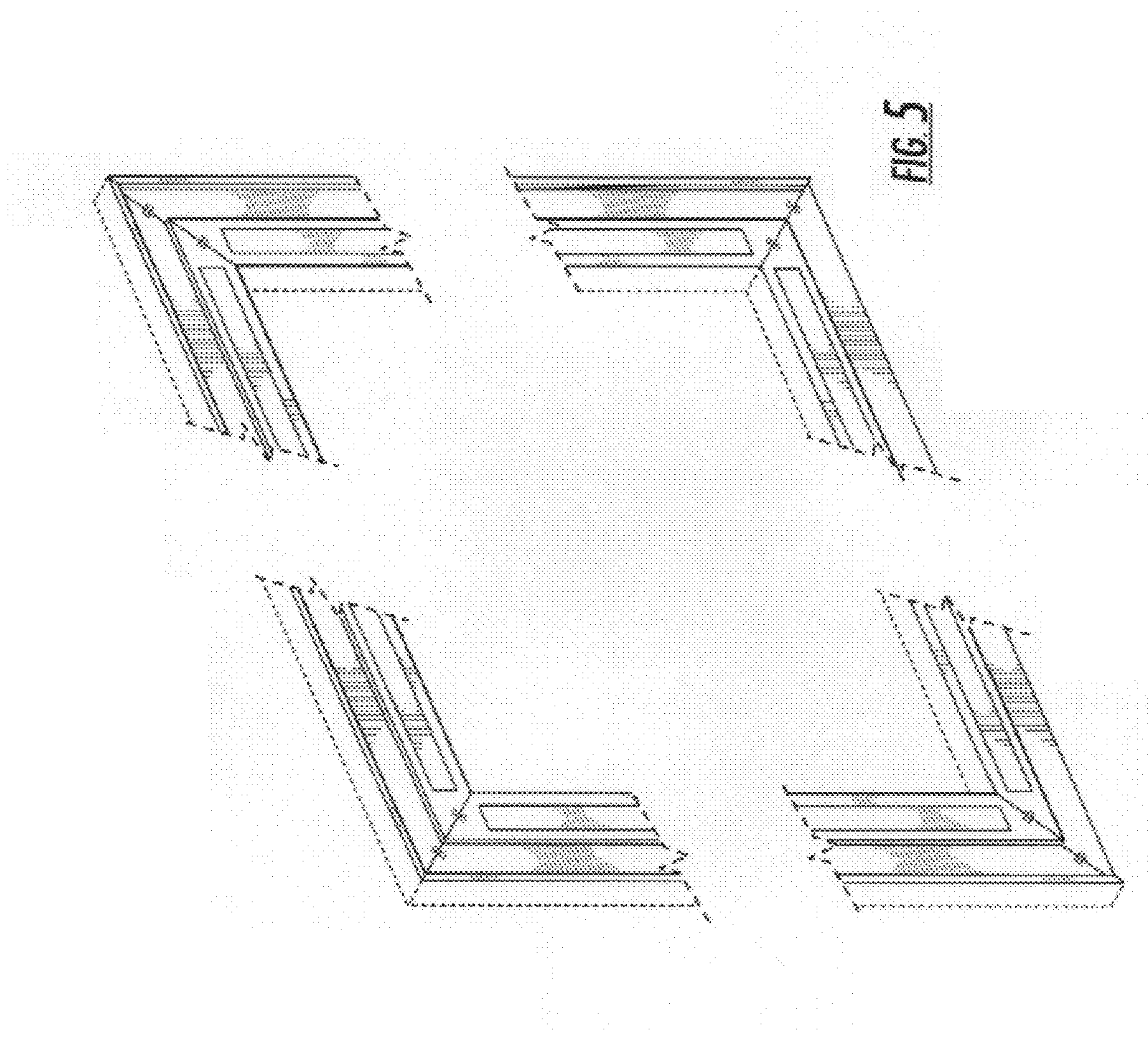
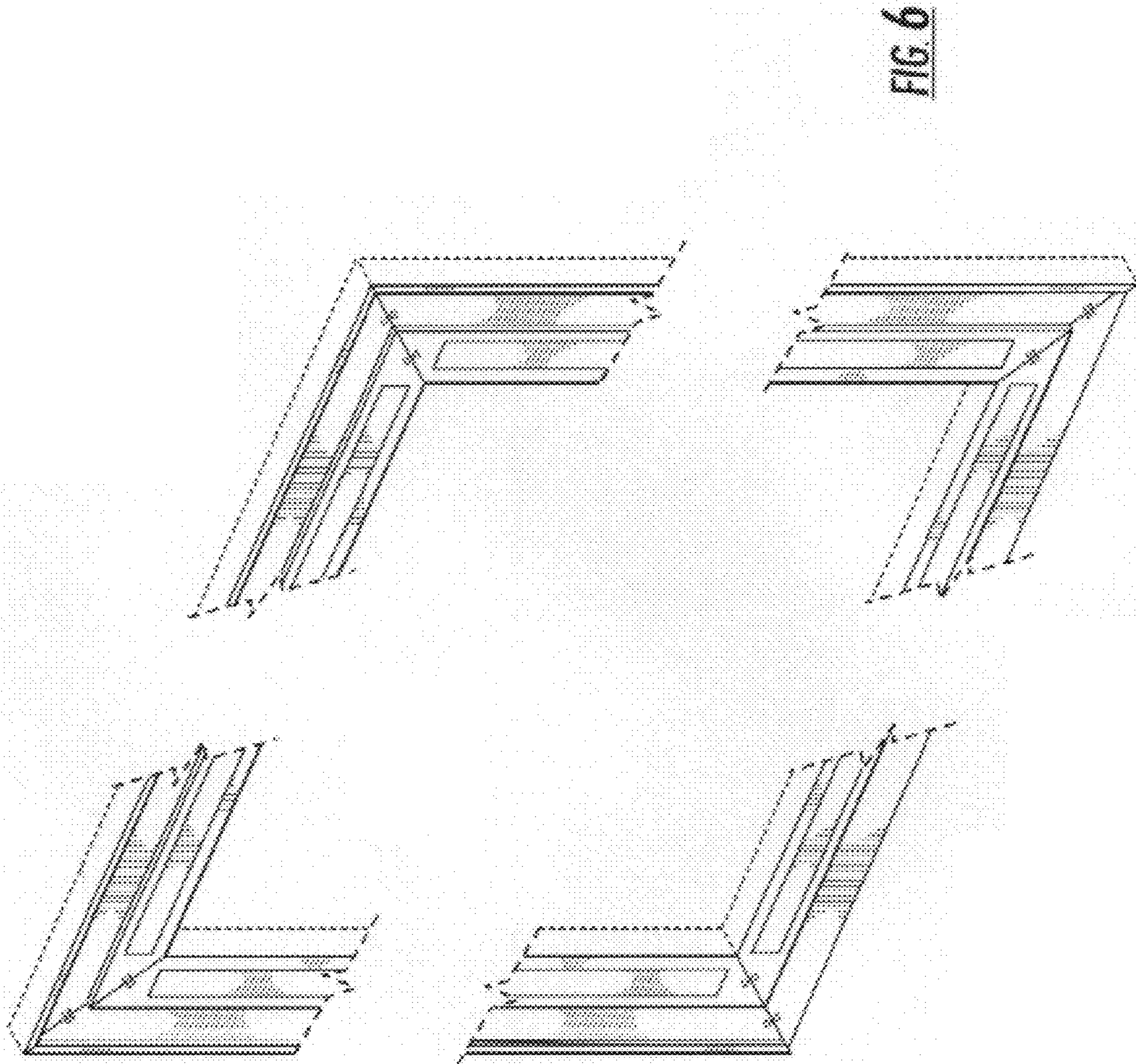
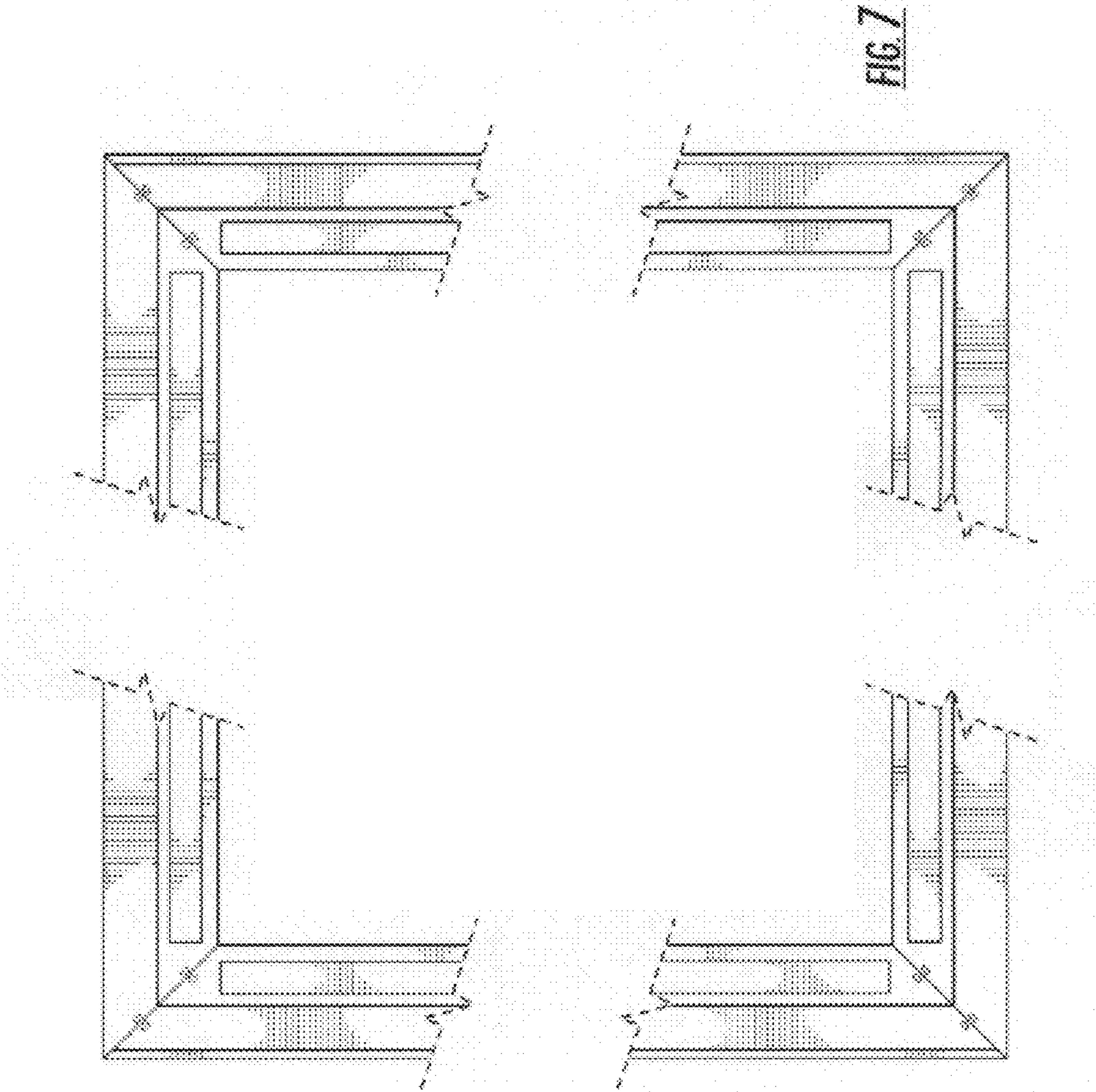


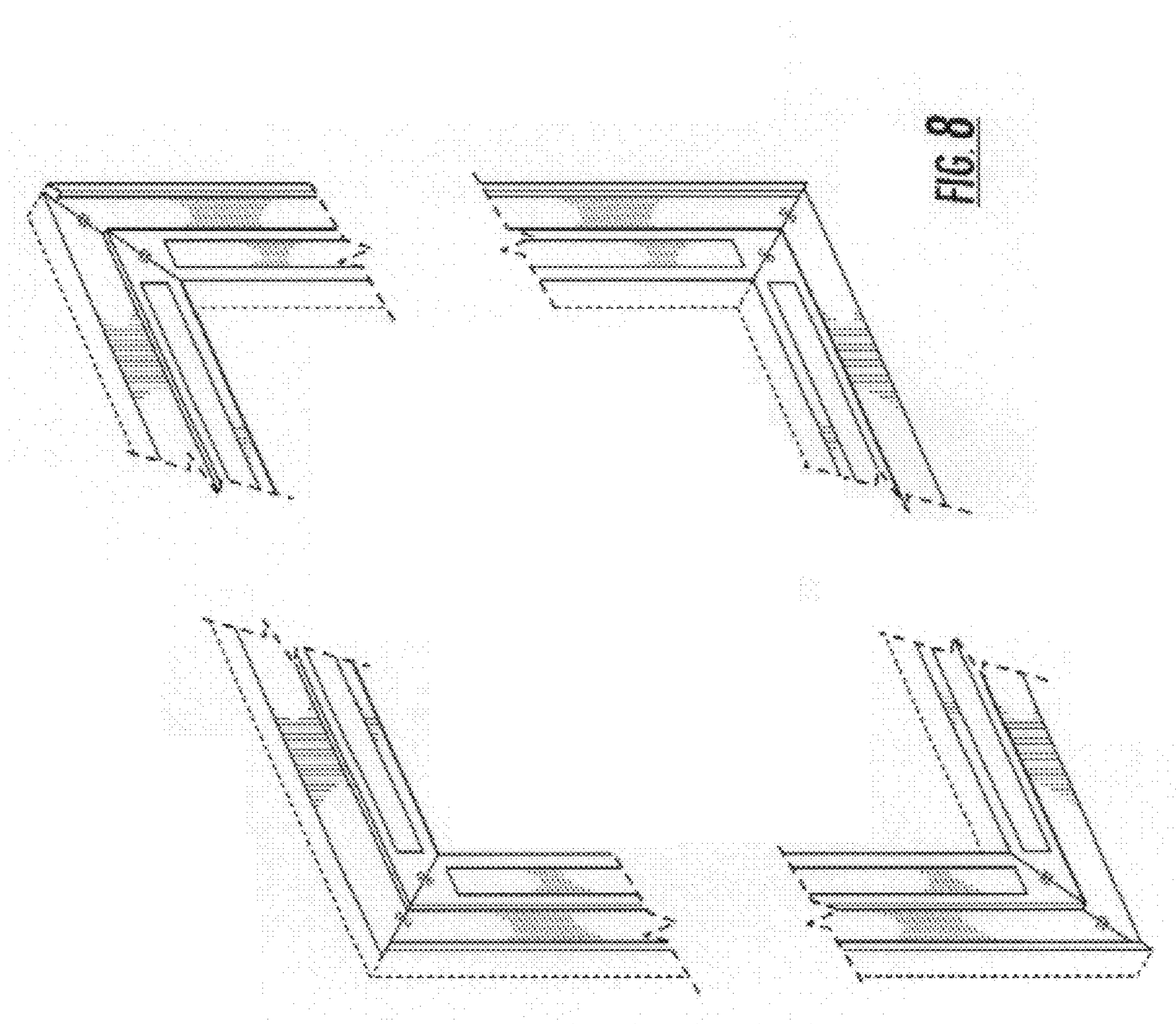
FIG. 4

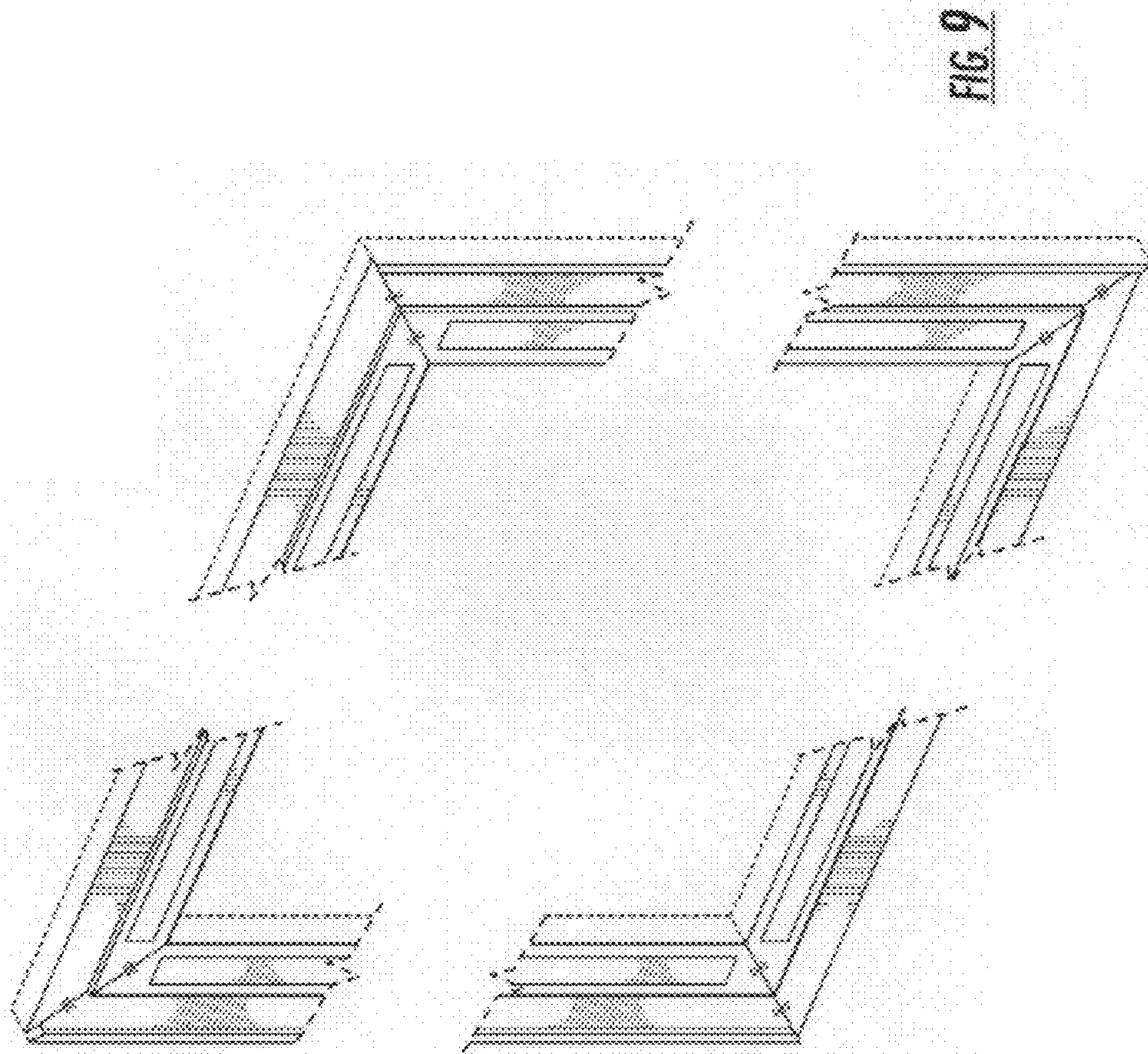


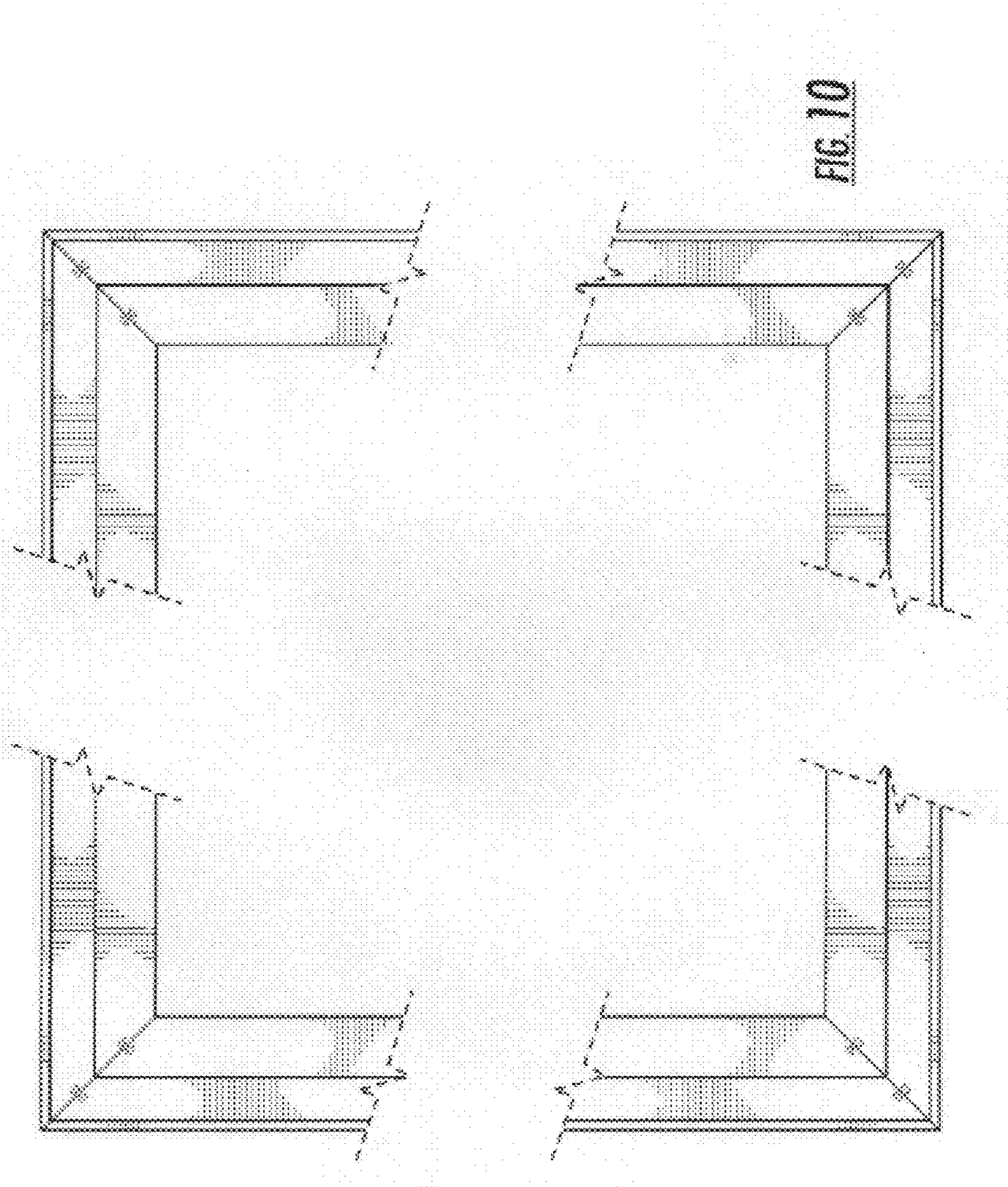












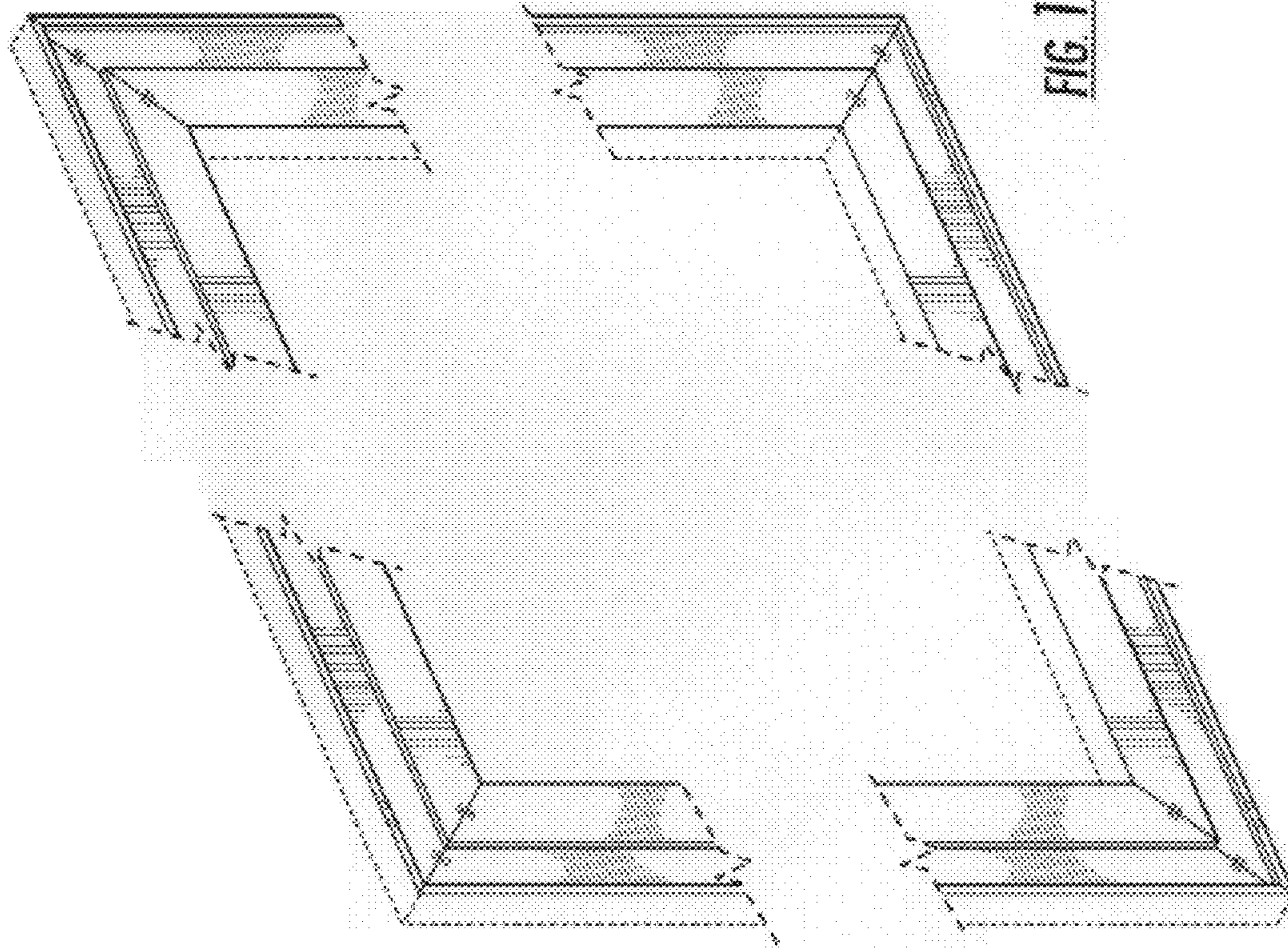


FIG. 12

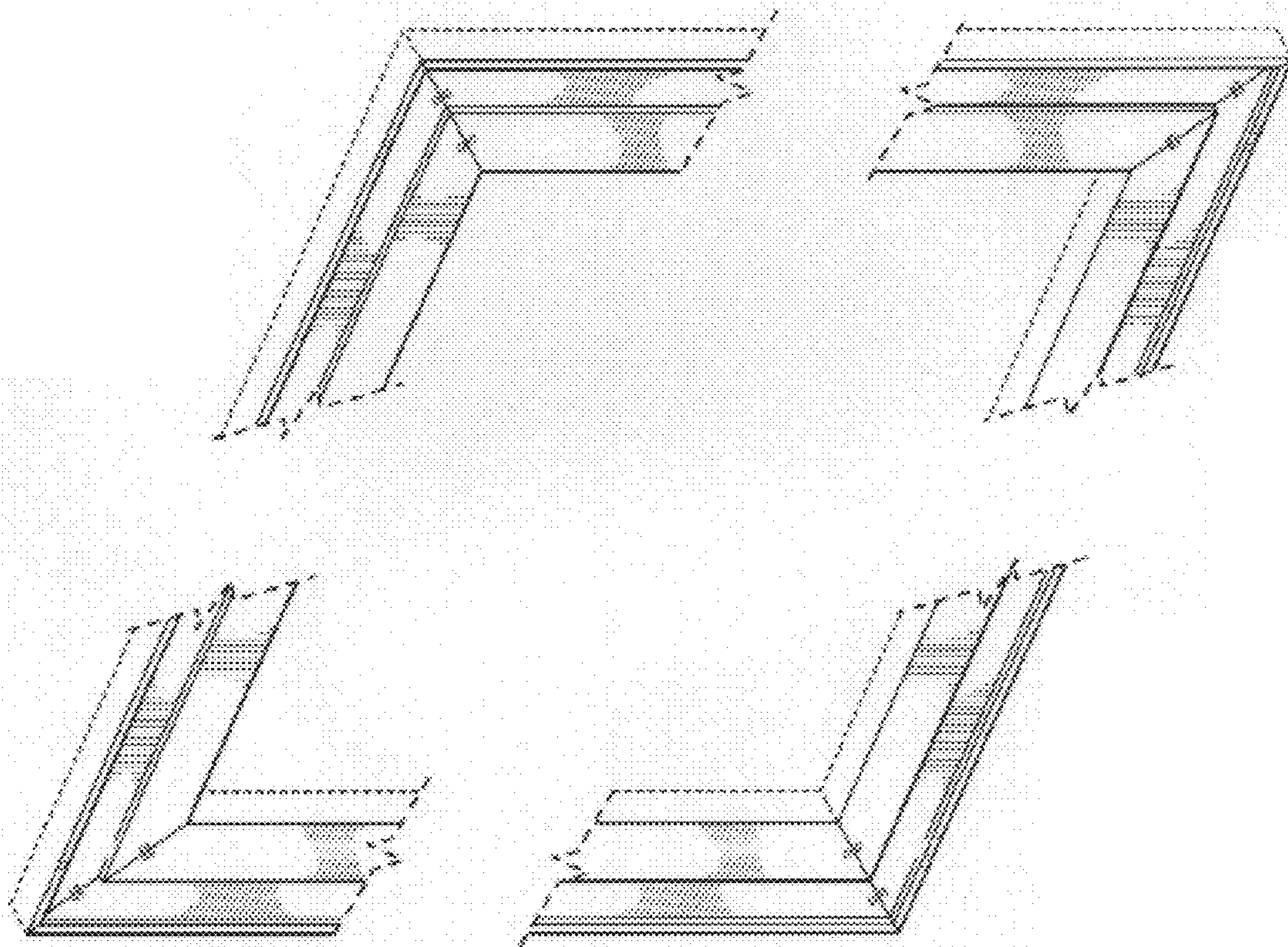
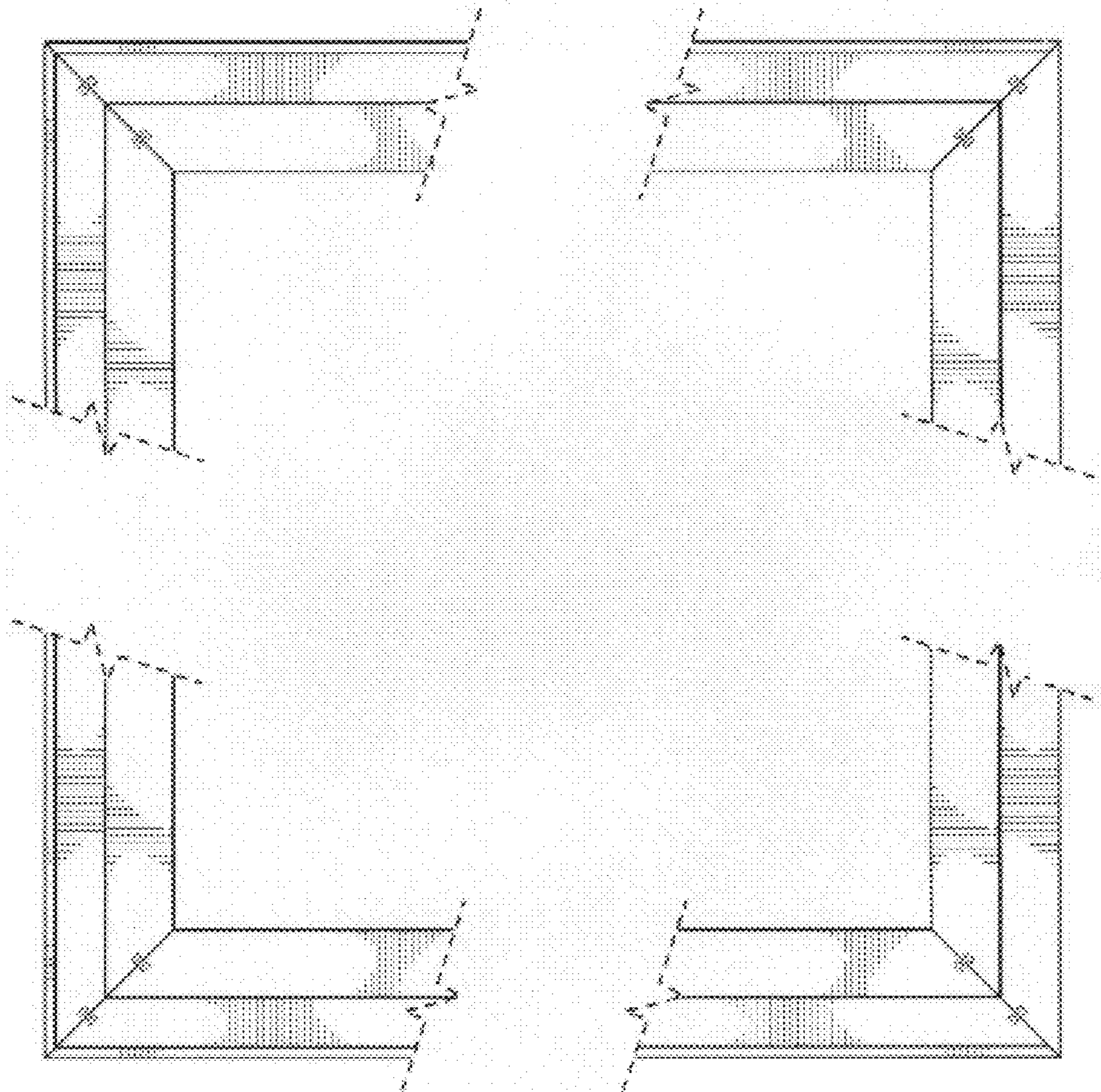


FIG 13



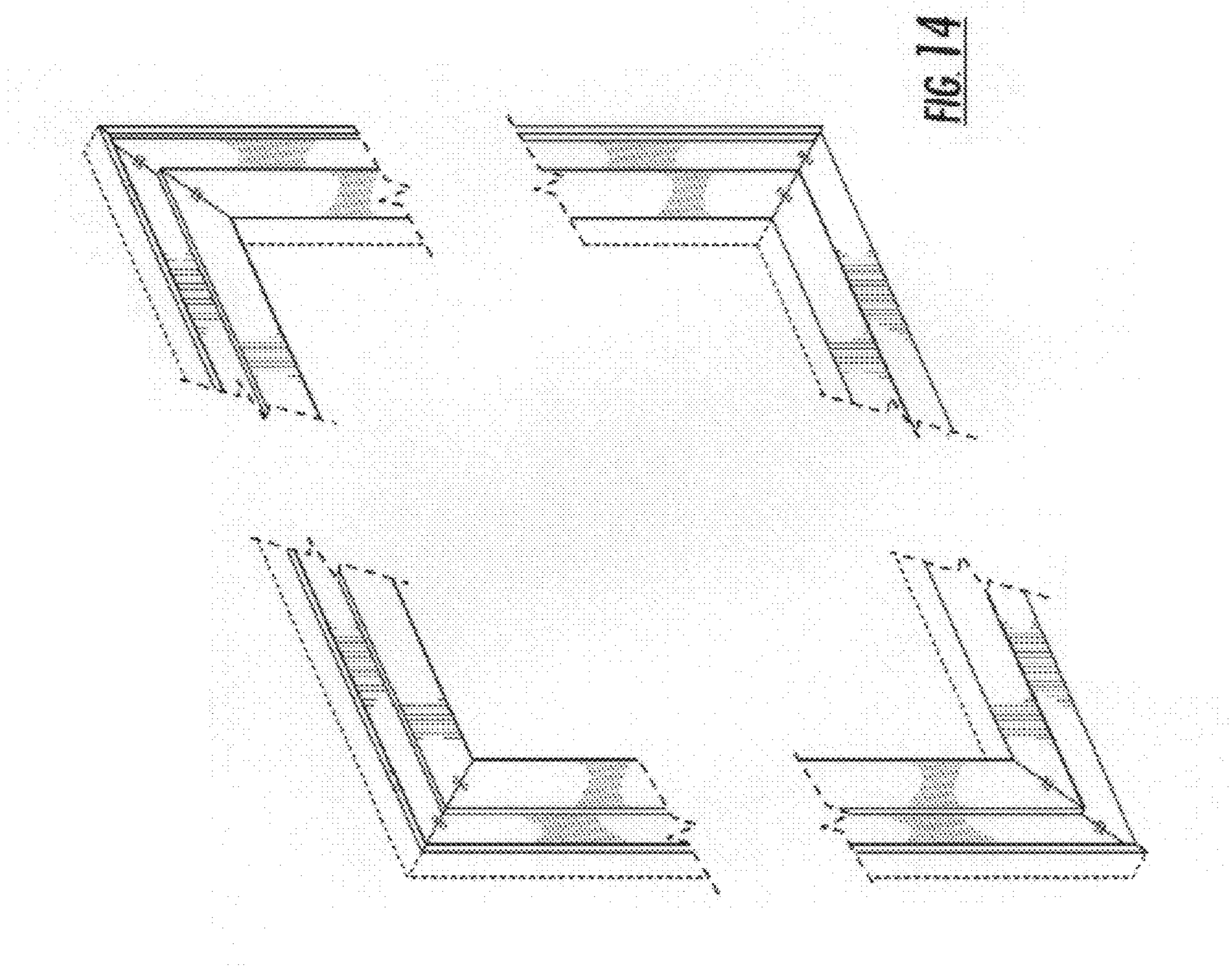
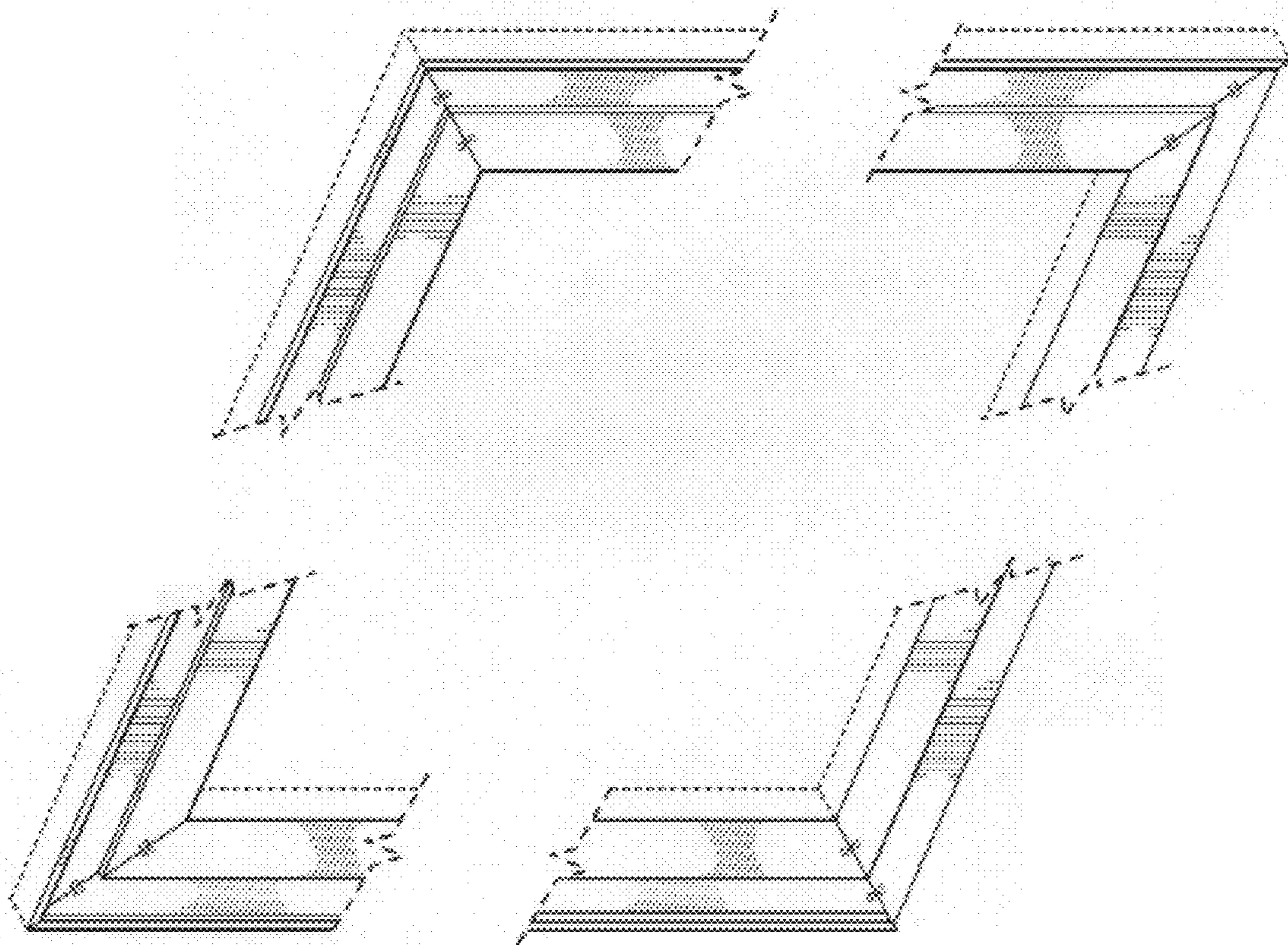
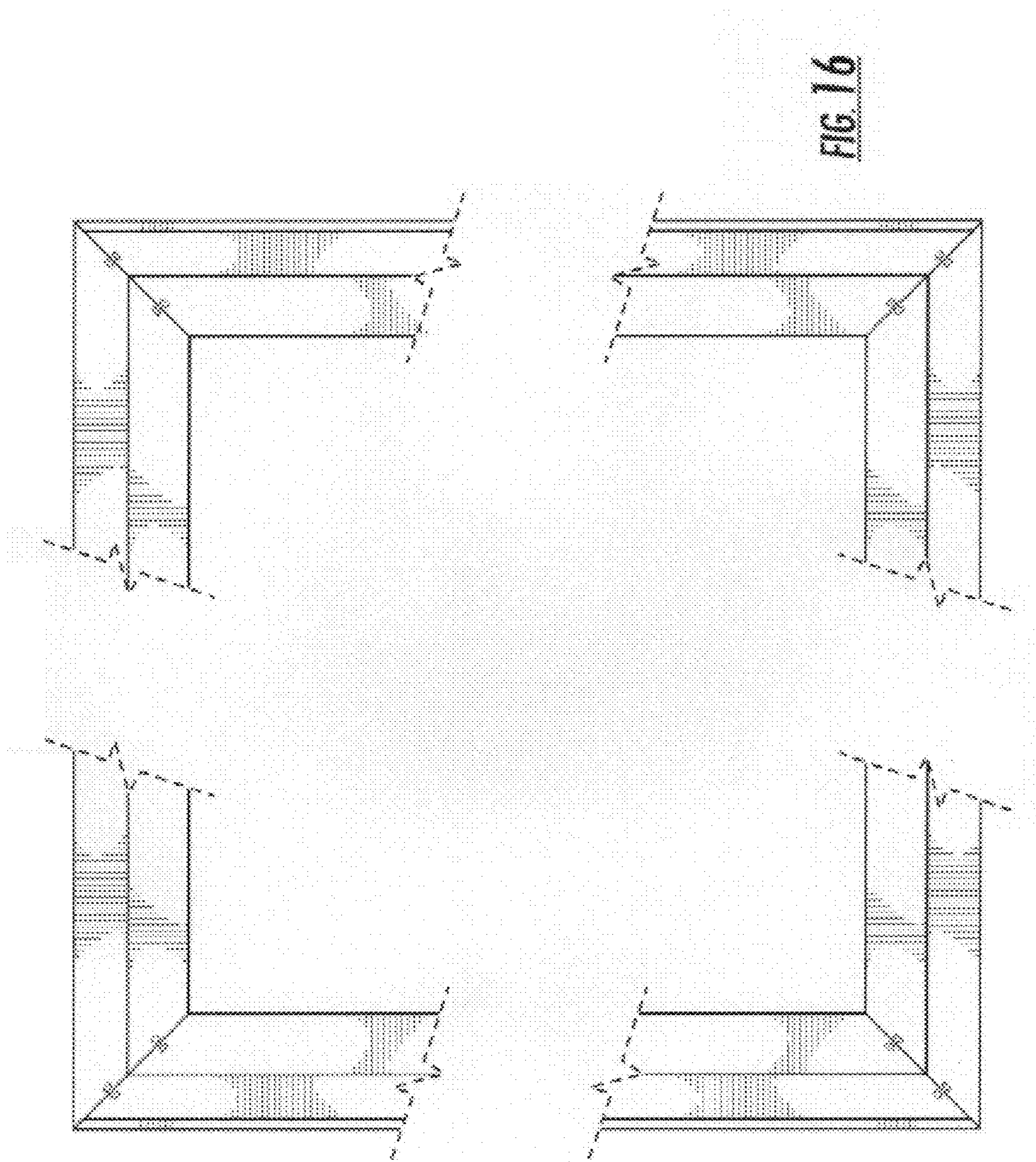


FIG. 15





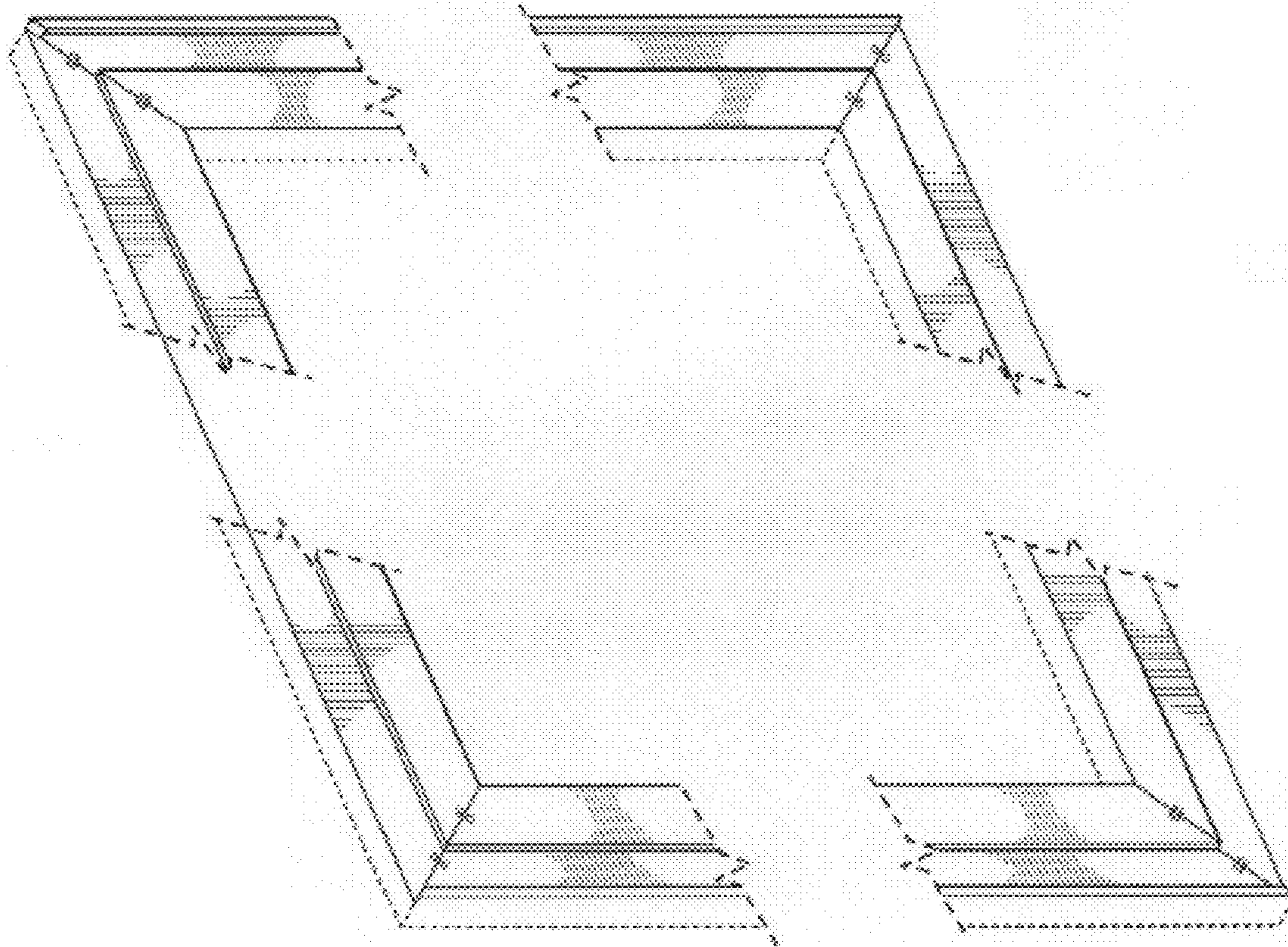
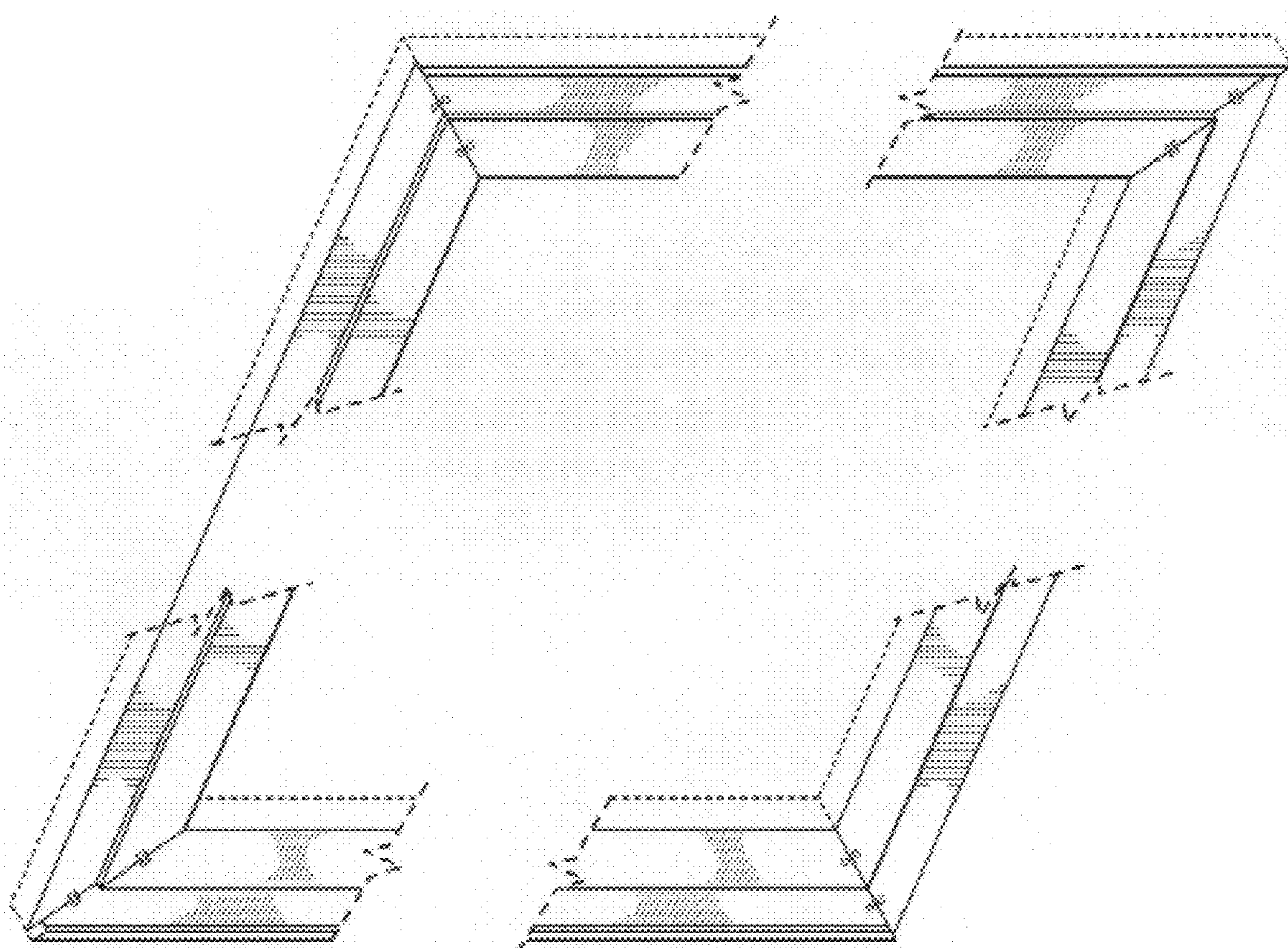


FIG 17

FIG 18



UNITED STATES PATENT AND TRADEMARK OFFICE
CERTIFICATE OF CORRECTION

PATENT NO. : Des. 565,307 S
APPLICATION NO. : 29/218587
DATED : April 1, 2008
INVENTOR(S) : Hunting et al.

Page 1 of 1

It is certified that error appears in the above-identified patent and that said Letters Patent is hereby corrected as shown below:

Title page Item [75] in the listing of Inventors, delete "Hunting" and substitute -- Huntting -- therefor.

Signed and Sealed this

Twenty-sixth Day of August, 2008

A handwritten signature in black ink that reads "Jon W. Dudas". The signature is written in a cursive style with a large, looped initial "J".

JON W. DUDAS

Director of the United States Patent and Trademark Office