



US00D565297S

(12) **United States Design Patent** (10) **Patent No.:** **US D565,297 S**  
**Stevens et al.** (45) **Date of Patent:** **\*\* Apr. 1, 2008**

(54) **STORAGE CONTAINER**  
(75) Inventors: **Scott B. Stevens**, Cudahy, WI (US);  
**Dean D. Hacker**, Oak Creek, WI (US)  
(73) Assignee: **Master Lock Company LLC**, Oak  
Creek, WI (US)  
(\*\*) Term: **14 Years**  
(21) Appl. No.: **29/285,671**  
(22) Filed: **Apr. 5, 2007**

(51) **LOC (8) Cl.** ..... **03-01**  
(52) **U.S. Cl.** ..... **D3/272; D3/294**  
(58) **Field of Classification Search** ..... D3/201,  
D3/272-273, 294-296, 302, 905; D22/136;  
D99/28, 99; 206/503, 505, 508, 511; 220/4.24,  
220/4.27

See application file for complete search history.

(56) **References Cited**

U.S. PATENT DOCUMENTS

D271,343 S \* 11/1983 Miller ..... D3/294  
D321,090 S \* 10/1991 Dickinson ..... D3/294  
D321,091 S \* 10/1991 Dickinson ..... D3/294  
D342,609 S \* 12/1993 Brightbill ..... D3/294  
D347,113 S \* 5/1994 Bornhorst et al. .... D3/272  
D348,342 S \* 6/1994 Lang-Ree et al. .... D3/288  
D361,511 S \* 8/1995 Dickinson et al. .... D9/425  
D361,715 S \* 8/1995 Hauptert ..... D9/424  
D367,958 S \* 3/1996 Tisbo et al. .... D3/273  
D374,772 S \* 10/1996 Hotaling et al. .... D3/276  
D376,259 S \* 12/1996 Dickinson et al. .... D3/273  
D378,874 S \* 4/1997 Dickinson et al. .... D3/281  
D379,266 S \* 5/1997 Dickinson et al. .... D3/281  
D382,114 S \* 8/1997 Dickinson et al. .... D3/279  
D382,795 S \* 8/1997 Abayhan et al. .... D9/425  
D389,309 S \* 1/1998 Shaw ..... D3/294  
D394,550 S \* 5/1998 Tanji ..... D3/273  
D408,631 S \* 4/1999 Dickinson et al. .... D3/302

D414,038 S \* 9/1999 van Rhienen ..... D3/302  
D429,415 S \* 8/2000 Shapiro ..... D3/206  
D429,565 S \* 8/2000 Aiken ..... D3/302  
D430,395 S \* 9/2000 Holahan ..... D3/272  
D432,787 S \* 10/2000 Holahan ..... D3/272  
D439,514 S \* 3/2001 Burra ..... D9/425  
D451,278 S \* 12/2001 Cooper ..... D3/294  
D459,073 S \* 6/2002 Lee ..... D3/276  
D527,523 S \* 9/2006 Cornwell et al. .... D3/294  
D528,793 S \* 9/2006 Cornwell et al. .... D3/294  
D537,630 S \* 3/2007 Gibson ..... D3/272  
2006/0254946 A1 \* 11/2006 Becklin ..... 206/508

\* cited by examiner

*Primary Examiner*—Philip S. Hyder  
*Assistant Examiner*—R. L. (Ulm) Cody  
(74) *Attorney, Agent, or Firm*—Calfee, Halter & Griswold,  
LLP

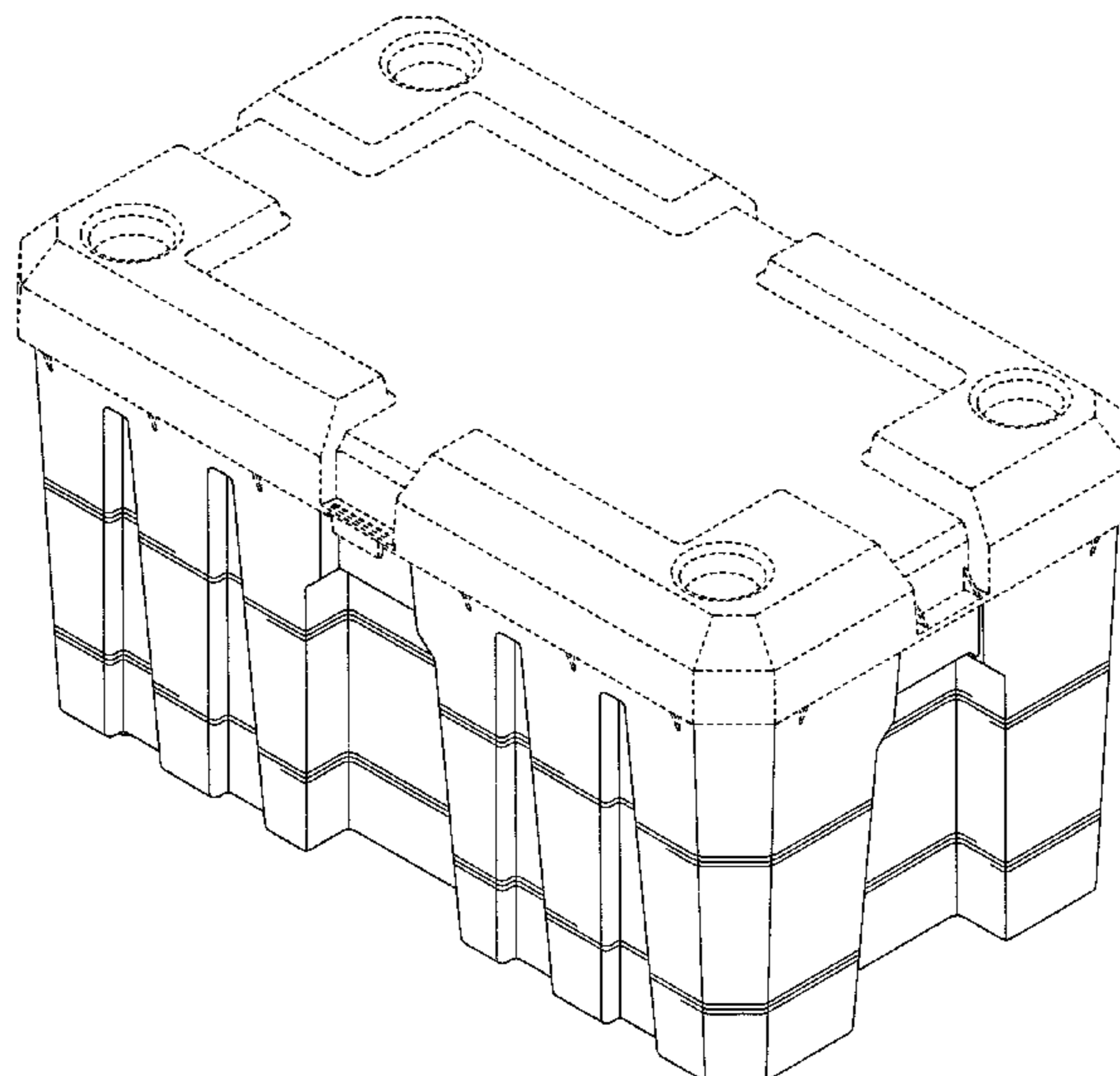
(57) **CLAIM**

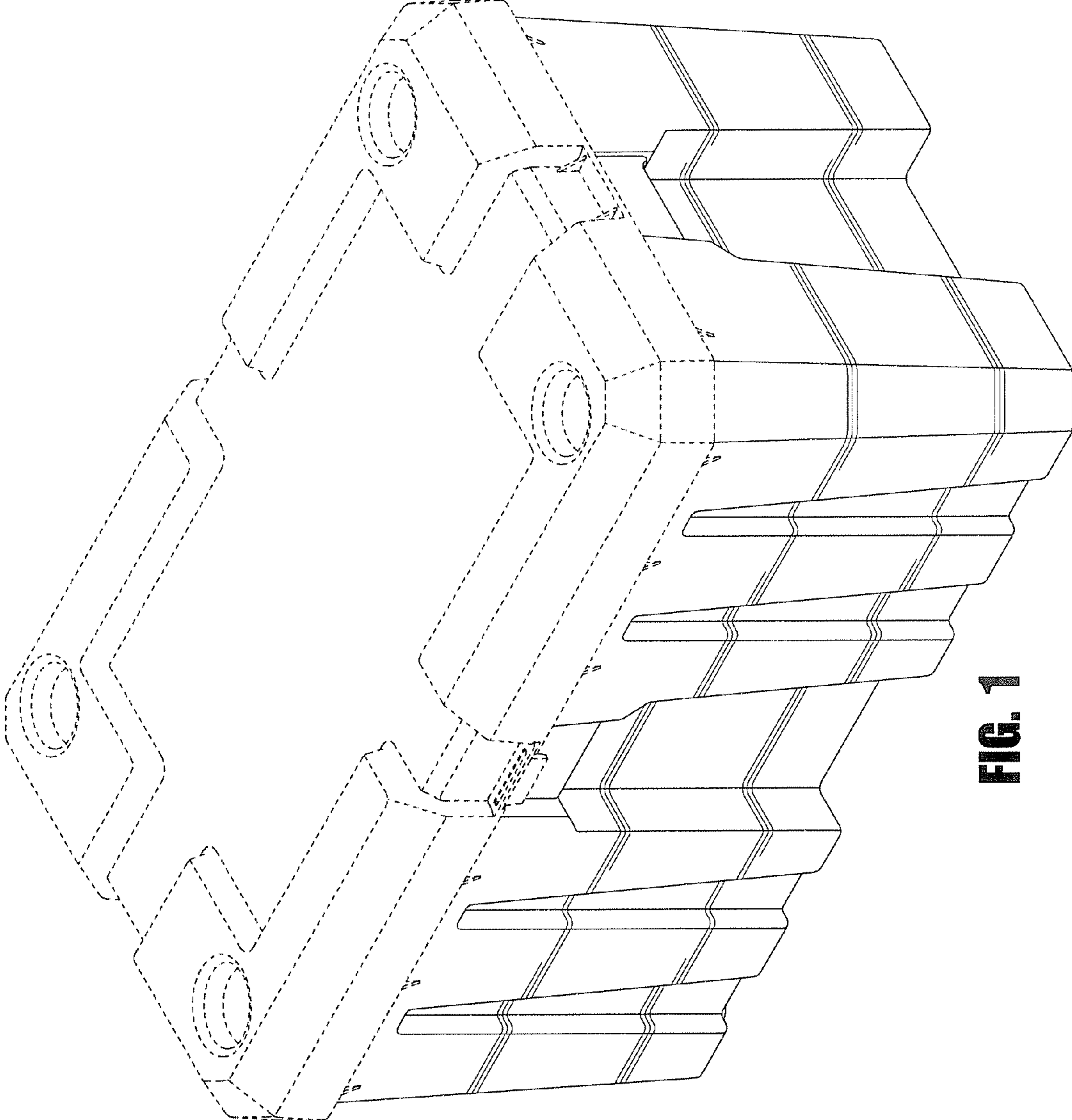
The ornamental design for a storage container, as shown and described.

**DESCRIPTION**

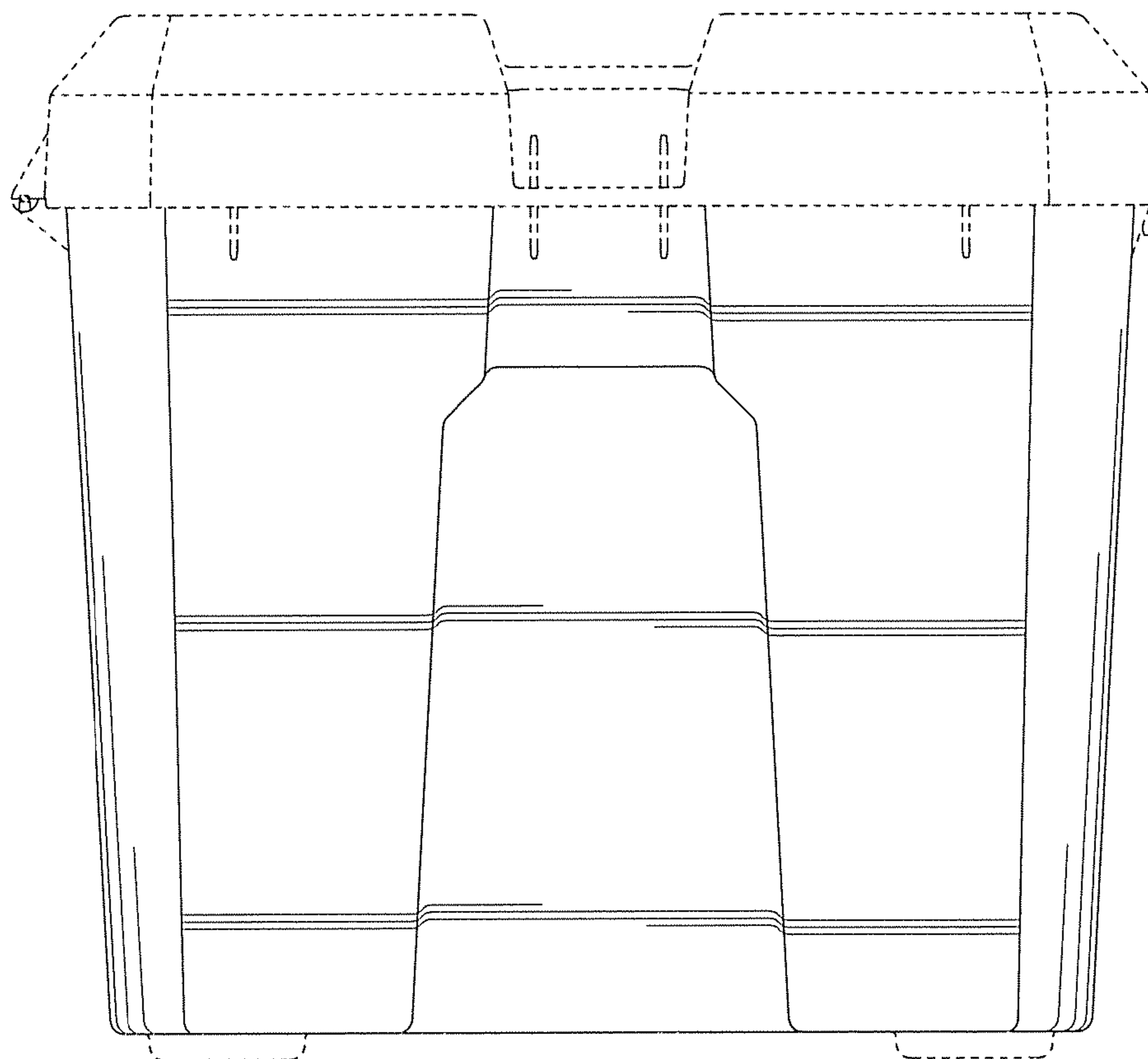
FIG. 1 is a perspective view of a storage container of the new design;  
FIG. 2 is a right side view of the storage container of FIG. 1;  
FIG. 3 is a left side view of the storage container of FIG. 1;  
FIG. 4 is a top view of the storage container of FIG. 1;  
FIG. 5 is a front view of the storage container of FIG. 1;  
FIG. 6 is a rear view of the storage container of FIG. 1; and,  
FIG. 7 is a bottom view of the storage container of FIG. 1.  
The portions of the Figures shown in phantom lines are not part of the claimed design, but are for illustration purposes only.

**1 Claim, 6 Drawing Sheets**

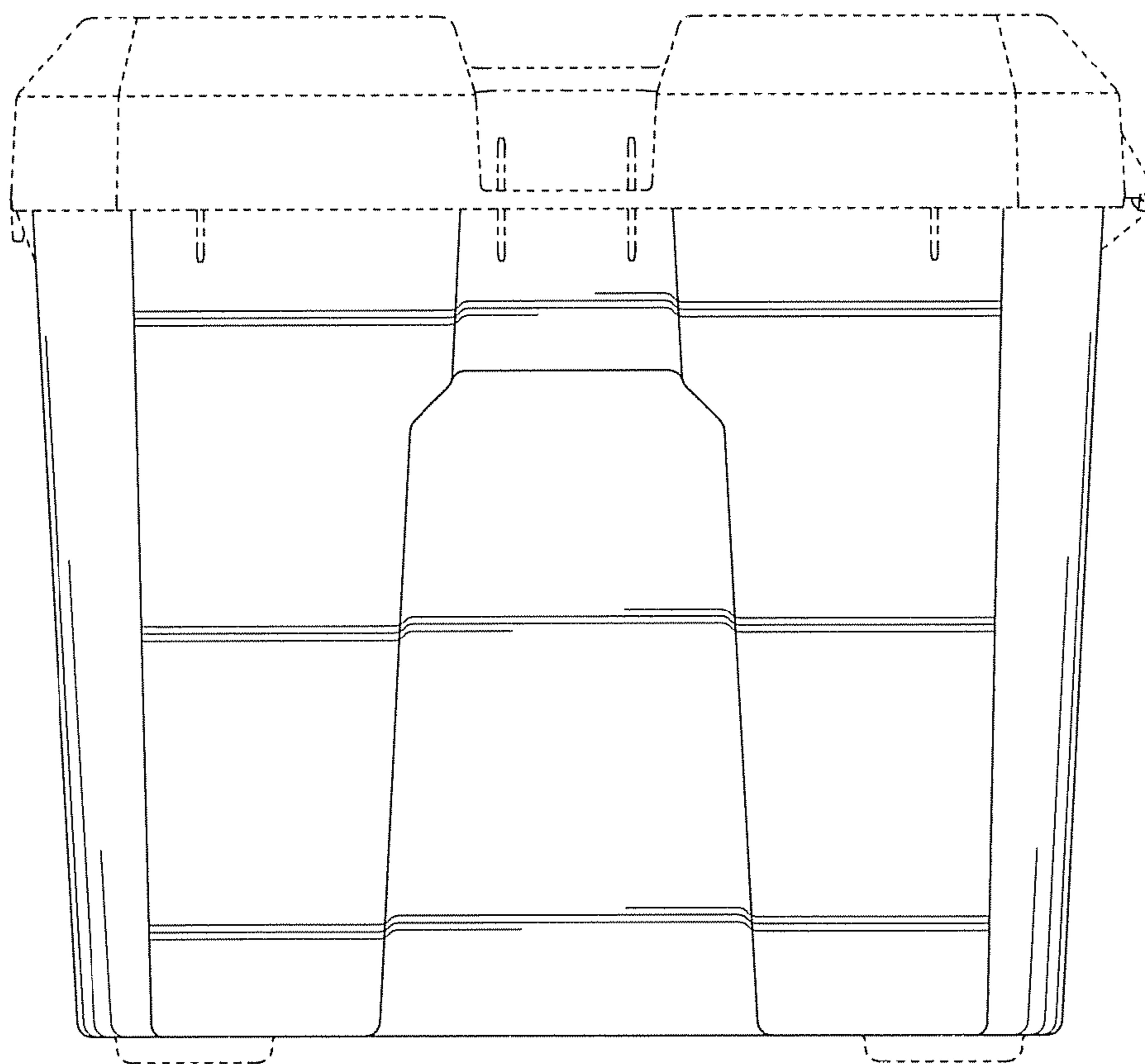




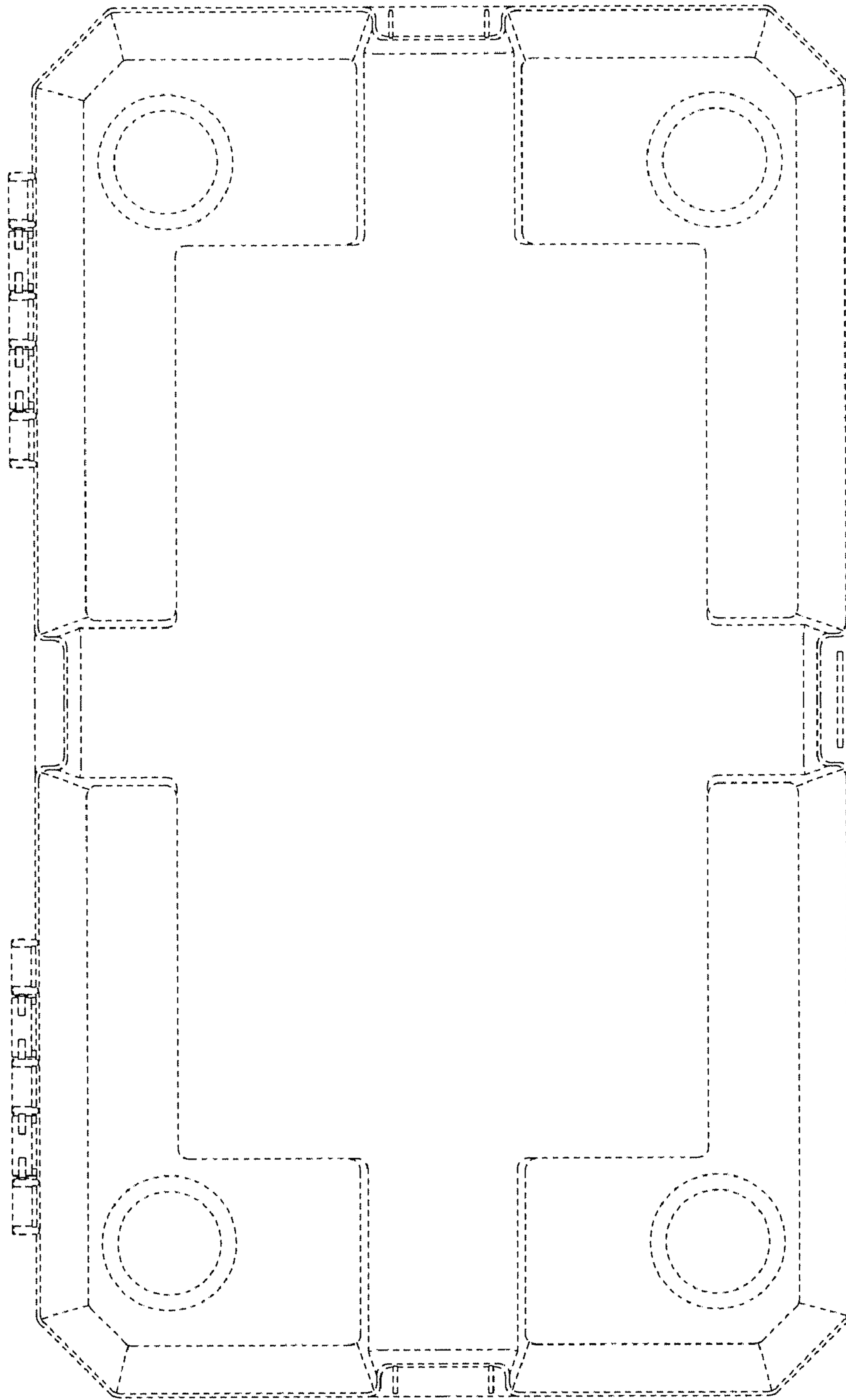
**FIG. 1**



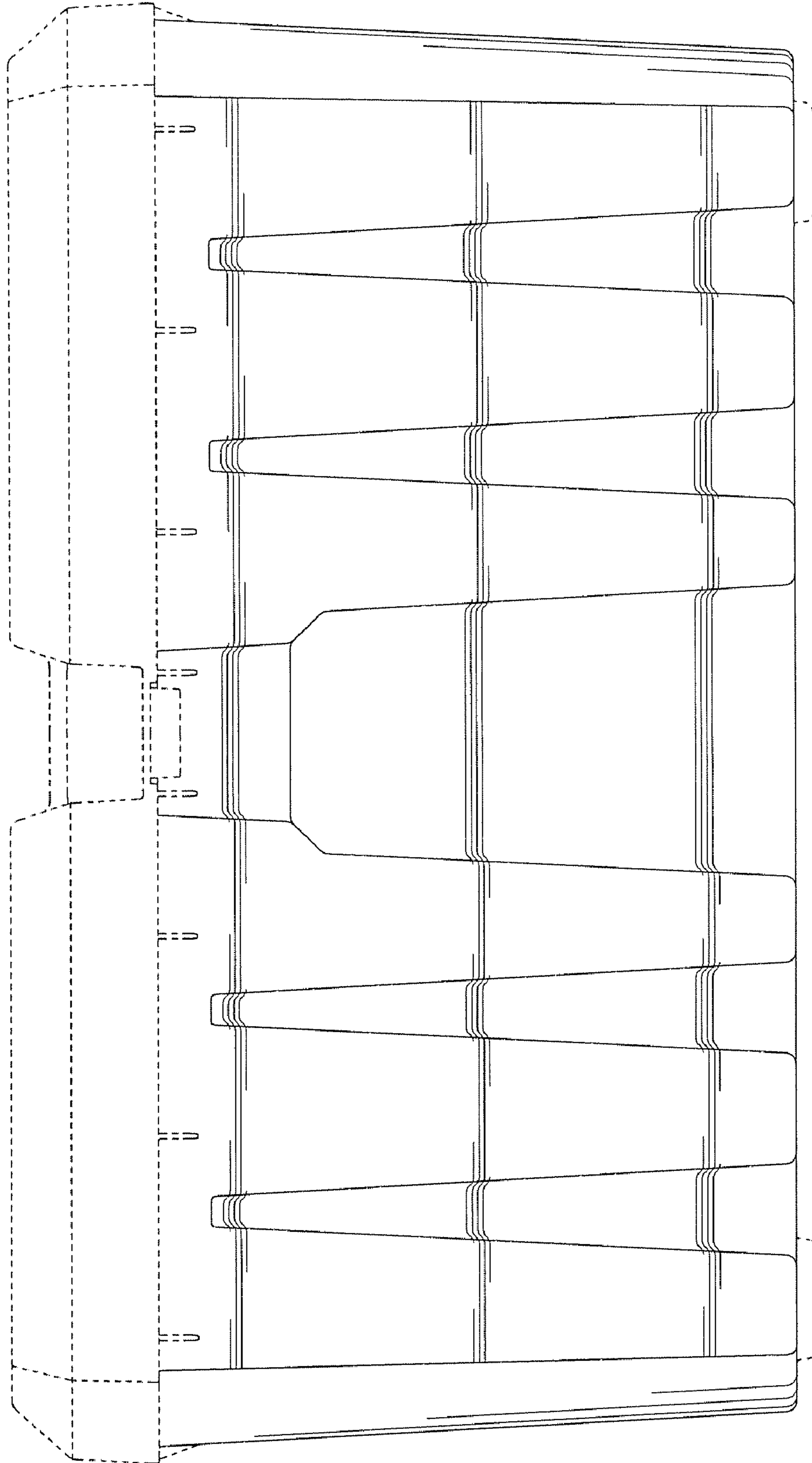
**FIG. 2**



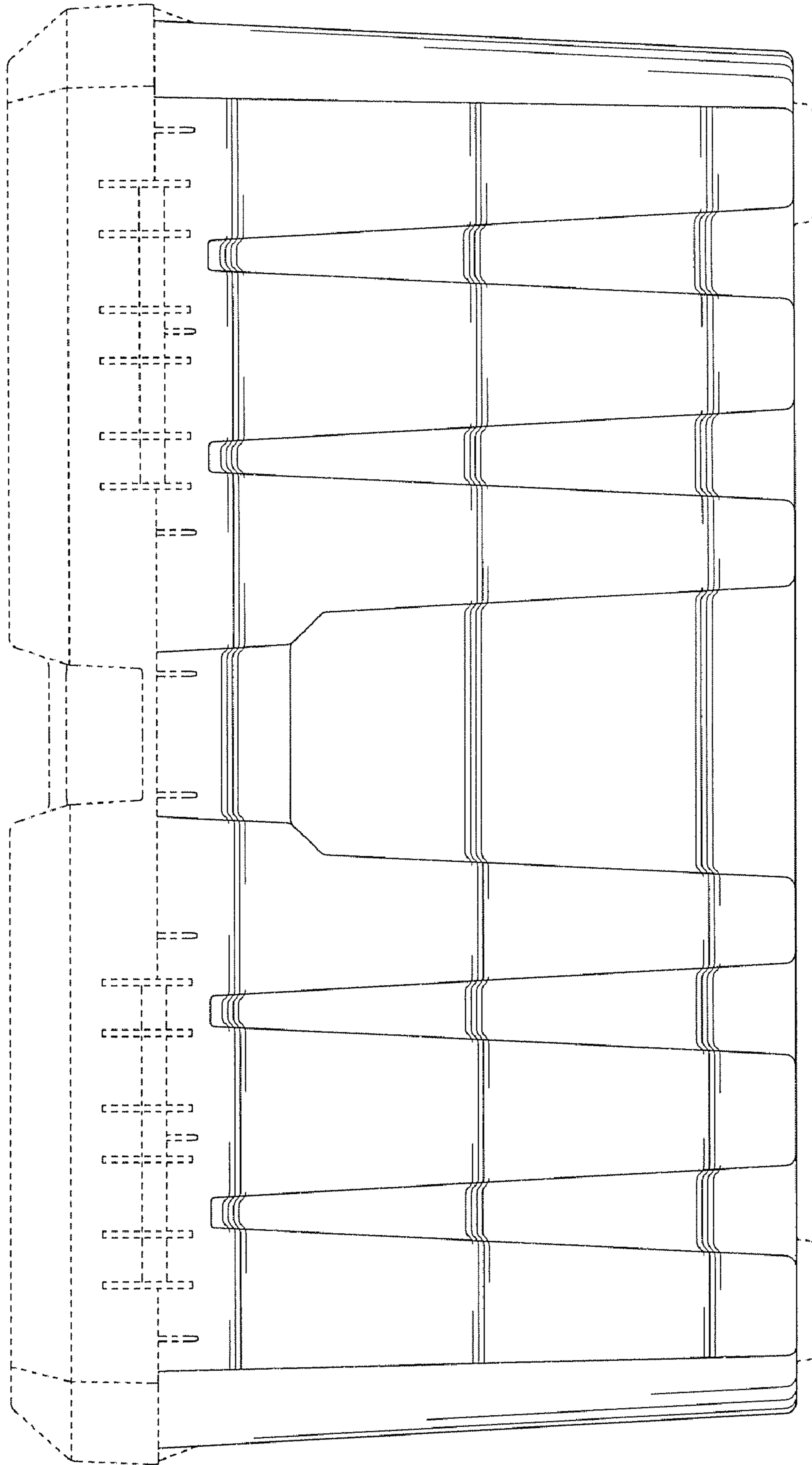
**FIG. 3**



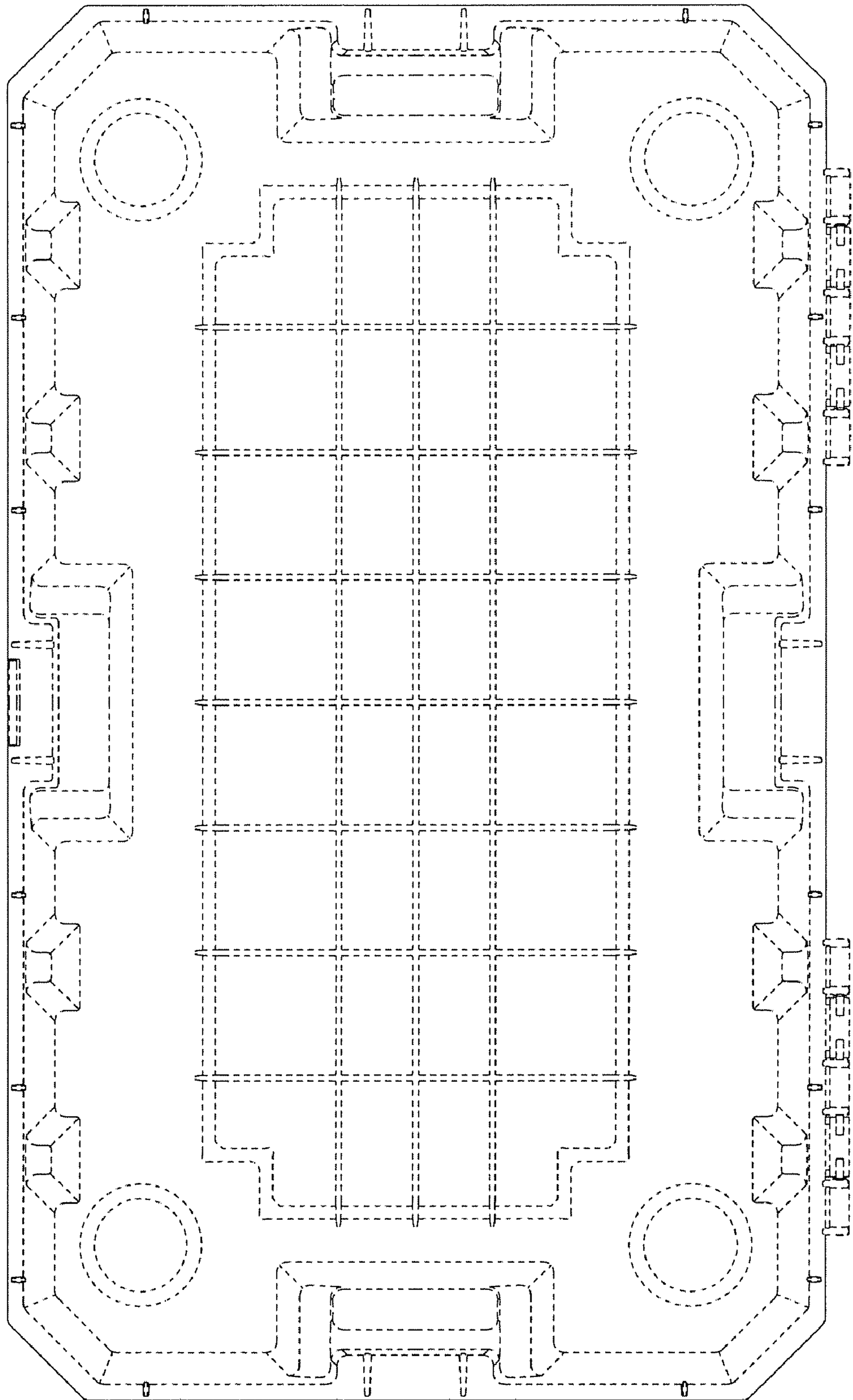
**FIG. 4**



**FIG. 5**



**FIG. 6**



**FIG. 7**