

US00D565293S

(12) **United States Design Patent**
Mize et al.

(10) **Patent No.:** **US D565,293 S**

(45) **Date of Patent:** **** Apr. 1, 2008**

(54) **SADDLE BAG**

D463,074 S * 9/2002 Couchon et al. D30/153

(75) Inventors: **Max D. Mize**, 1027 N. Main St.,
Kingman, KS (US) 67068; **Stanley R.**
McEnroe, Wichita, KS (US); **Alan C.**
Moseley, Kingman, KS (US)

* cited by examiner

Primary Examiner—Louis S. Zarfas
Assistant Examiner—Michelle Wilson
(74) *Attorney, Agent, or Firm*—John W. Carpenter

(73) Assignee: **Max D. Mize**, Kingman, KS (US)

(**) Term: **14 Years**

(21) Appl. No.: **29/269,067**

(22) Filed: **Nov. 20, 2006**

(51) **LOC (8) Cl.** **03-01**

(52) **U.S. Cl.** **D3/231**

(58) **Field of Classification Search** D3/201,
D3/205, 230, 231, 233, 247, 251, 232, 234,
D3/238, 240–246, 303, 318–326, 900, 902;
150/100, 107–110, 118–120; 190/100, 108–112,
190/115, 900, 902, 903

See application file for complete search history.

(56) **References Cited**

U.S. PATENT DOCUMENTS

D247,524 S *	3/1978	Graham	D3/231
D254,343 S *	3/1980	Babcock	D3/231
D258,098 S *	2/1981	Norinsky	D3/231
D272,428 S *	1/1984	Kelley	D12/409
D311,093 S *	10/1990	Hoffman	D3/231
D438,000 S *	2/2001	Couchon et al.	D3/231

(57) **CLAIM**

The ornamental design for the saddle bag, as shown and described.

DESCRIPTION

FIG. 1 is a perspective view of a saddle bag, showing our new design;

FIG. 2 is another perspective view thereof;

FIG. 3 is a top plan view thereof

FIG. 4 is a side elevational view thereof;

FIG. 5 is another side elevational view thereof;

FIG. 6 is an end elevational view thereof;

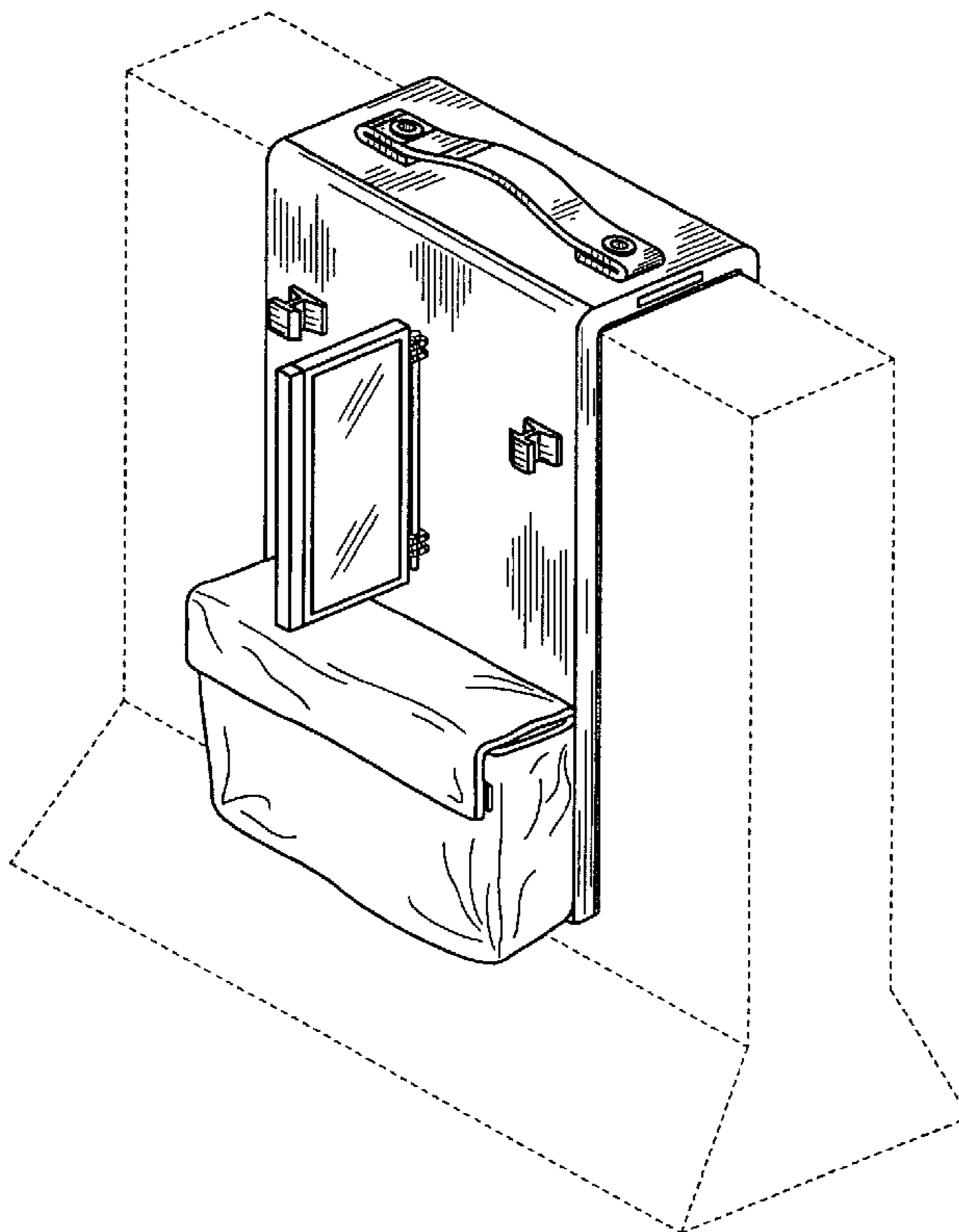
FIG. 7 is another end elevational view thereof;

FIG. 8 is a top plan view thereof; and,

FIG. 9 is a bottom plan view thereof.

The broken line showing of a saddle bag is included for the purpose of illustrating environmental structure and forms no part of the claimed design.

1 Claim, 9 Drawing Sheets



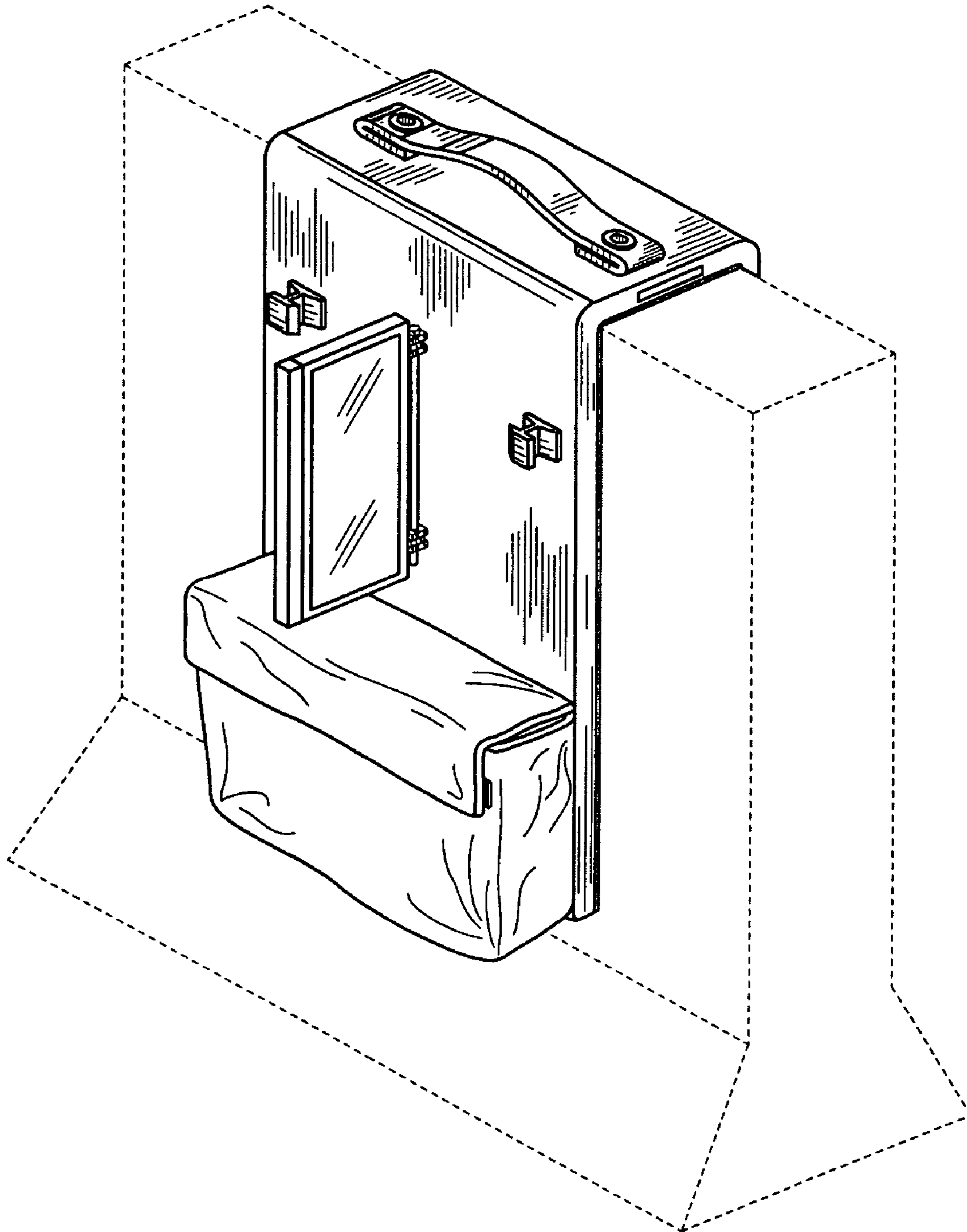


FIG. 1

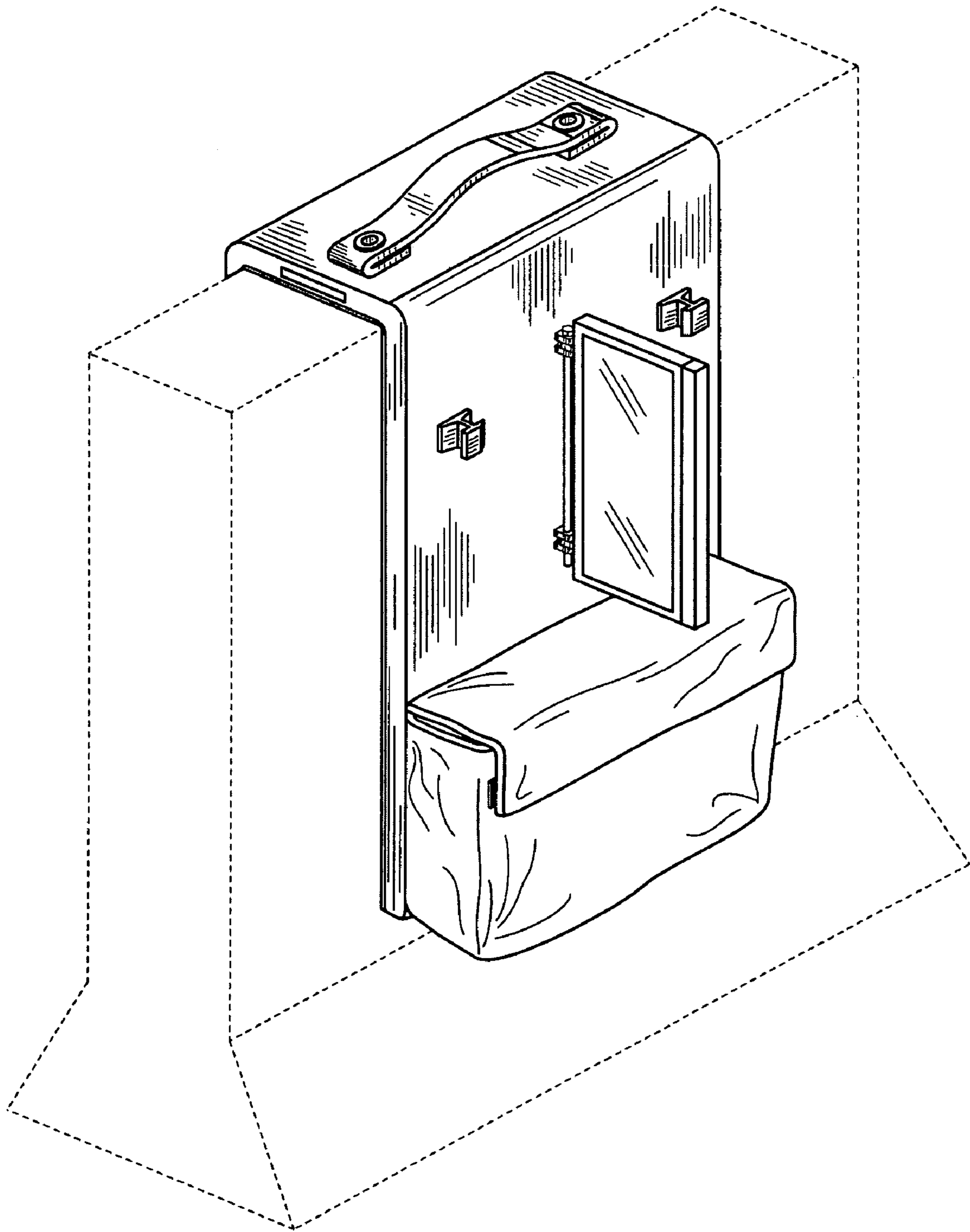


FIG. 2

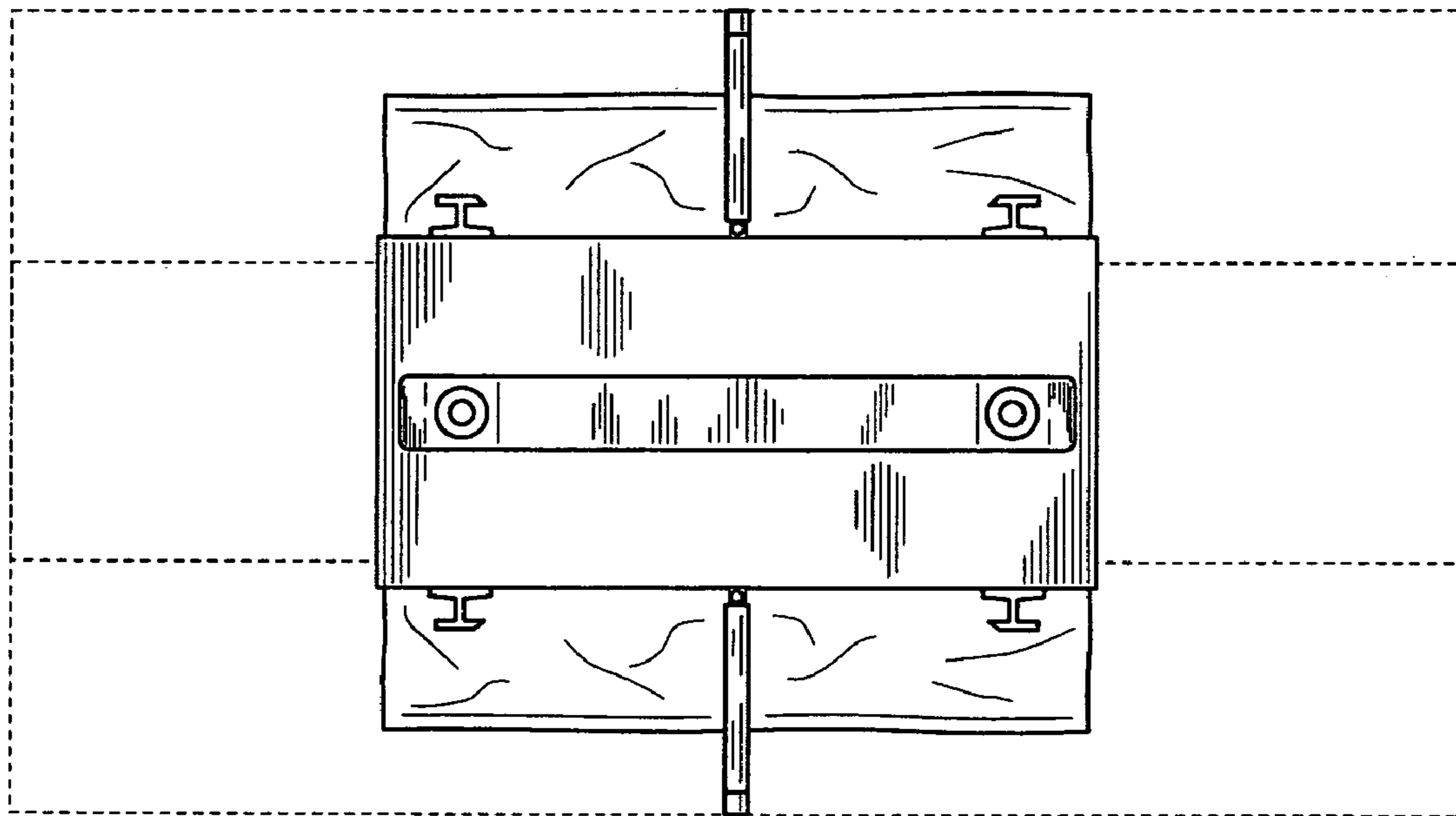


FIG. 3

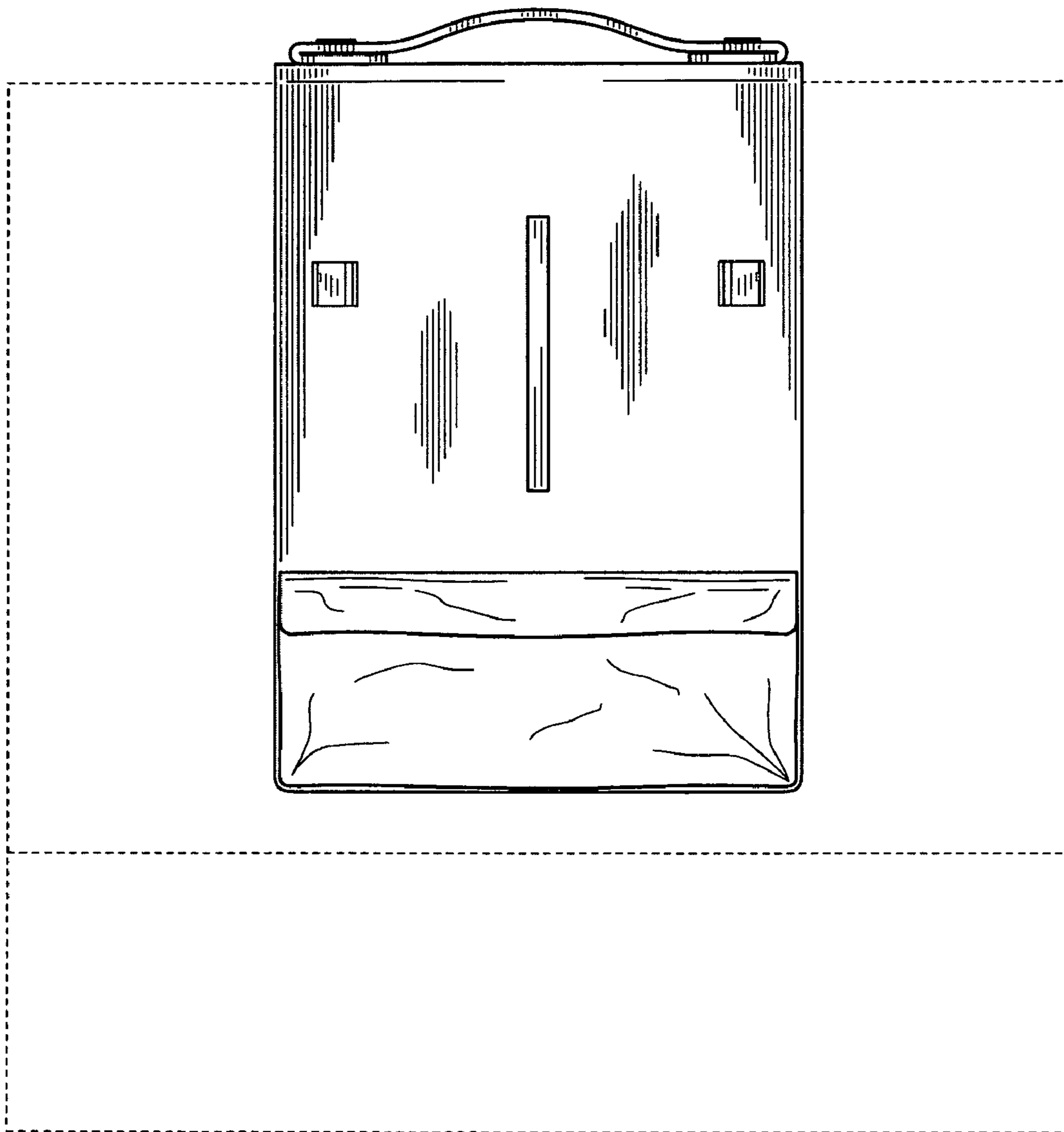


FIG. 4

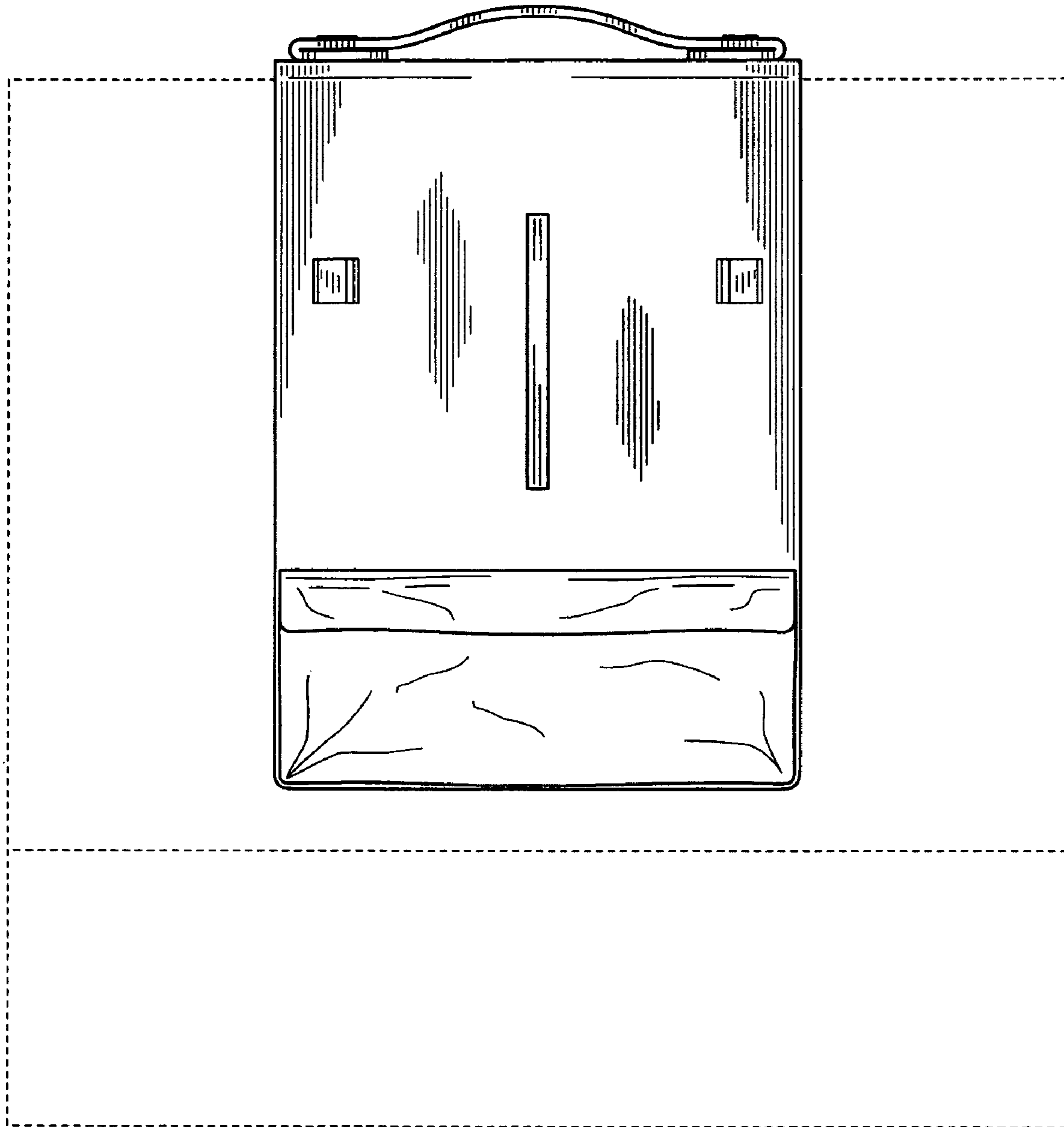


FIG. 5

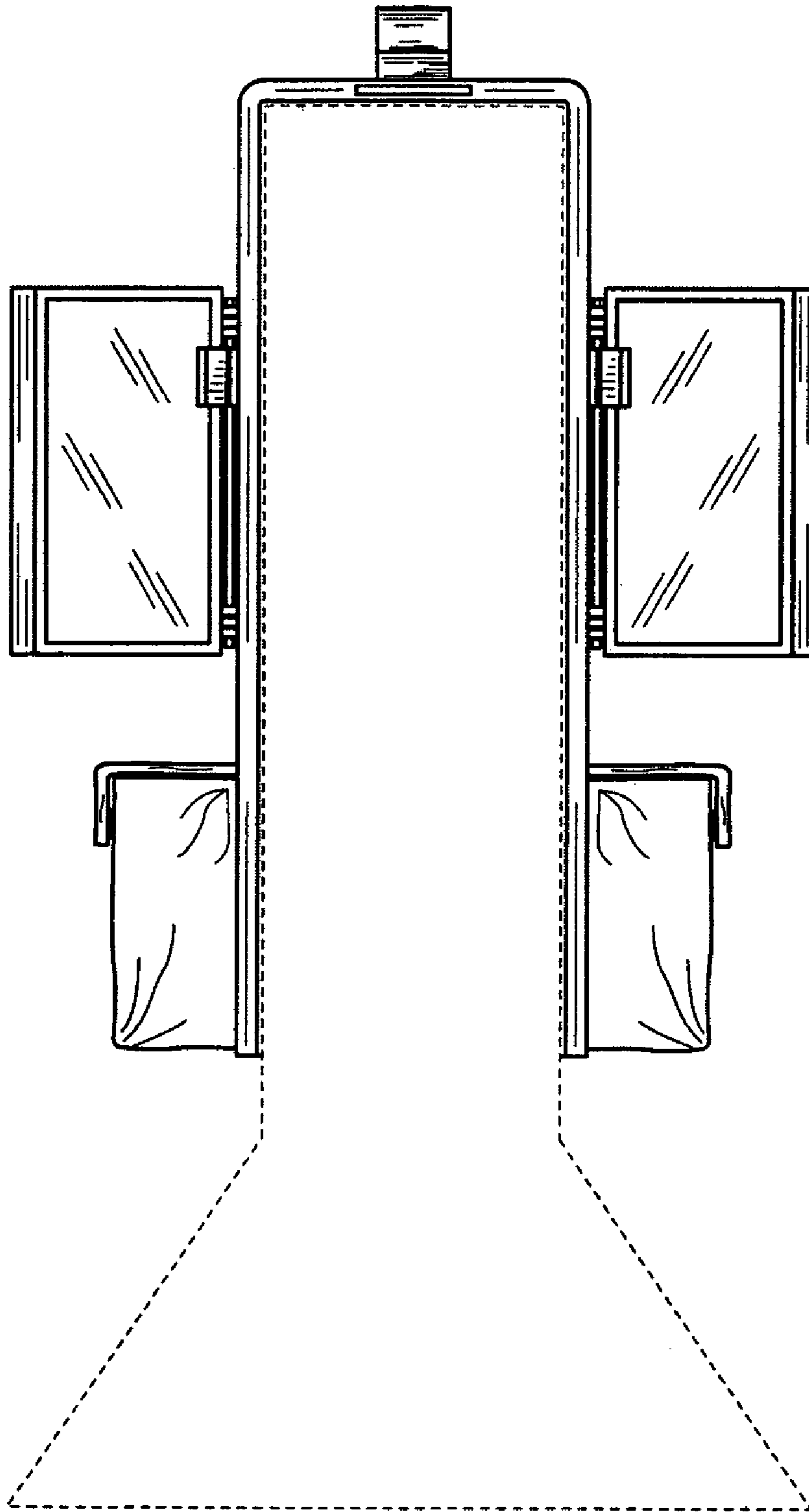


FIG. 6

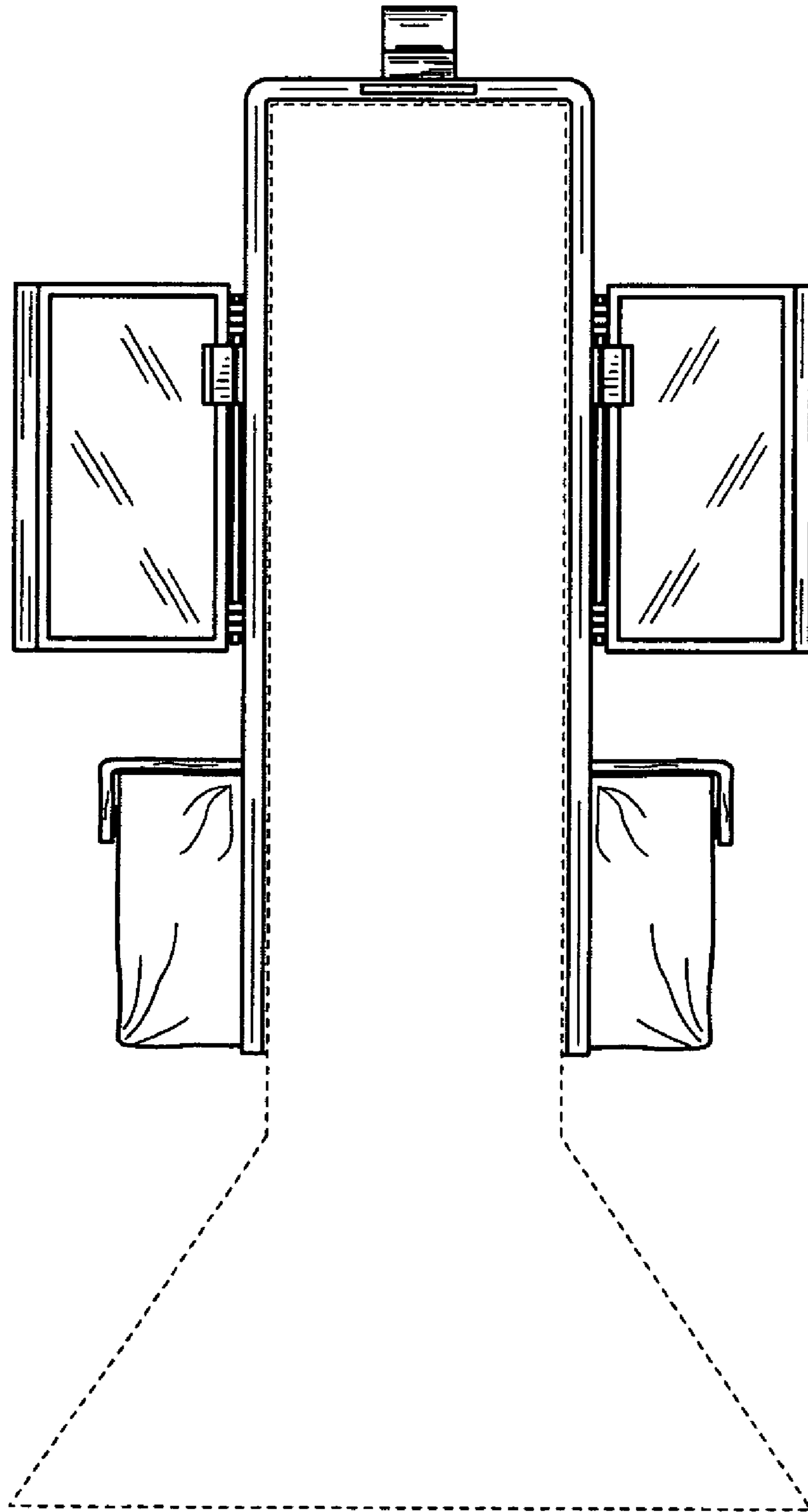


FIG. 7

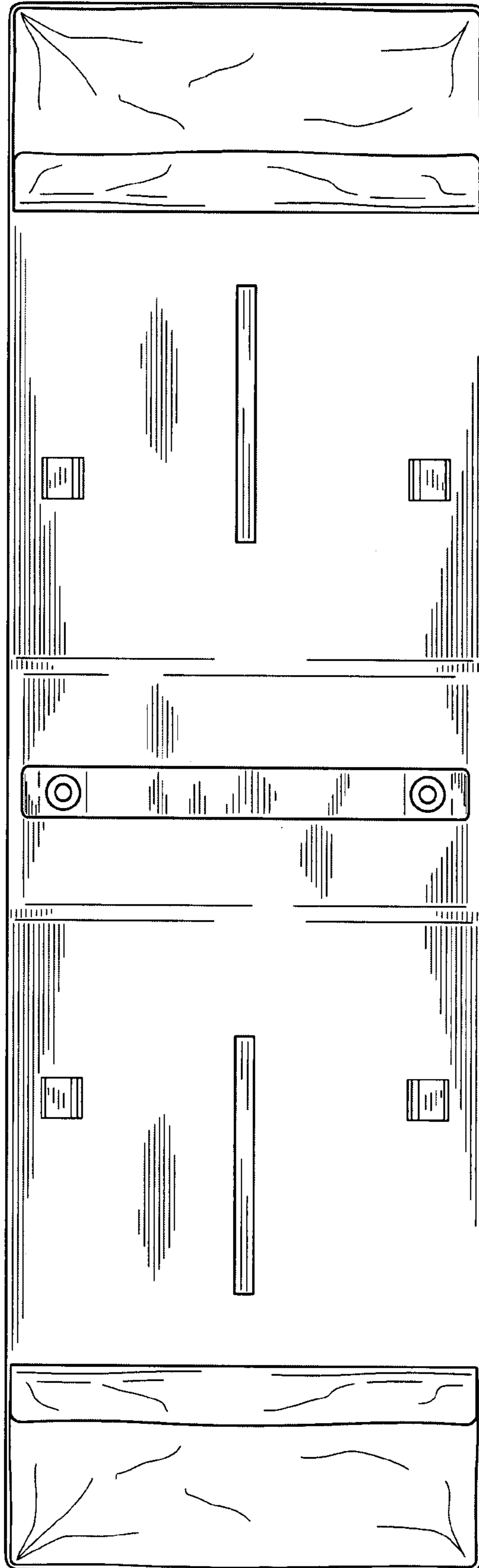


FIG. 8

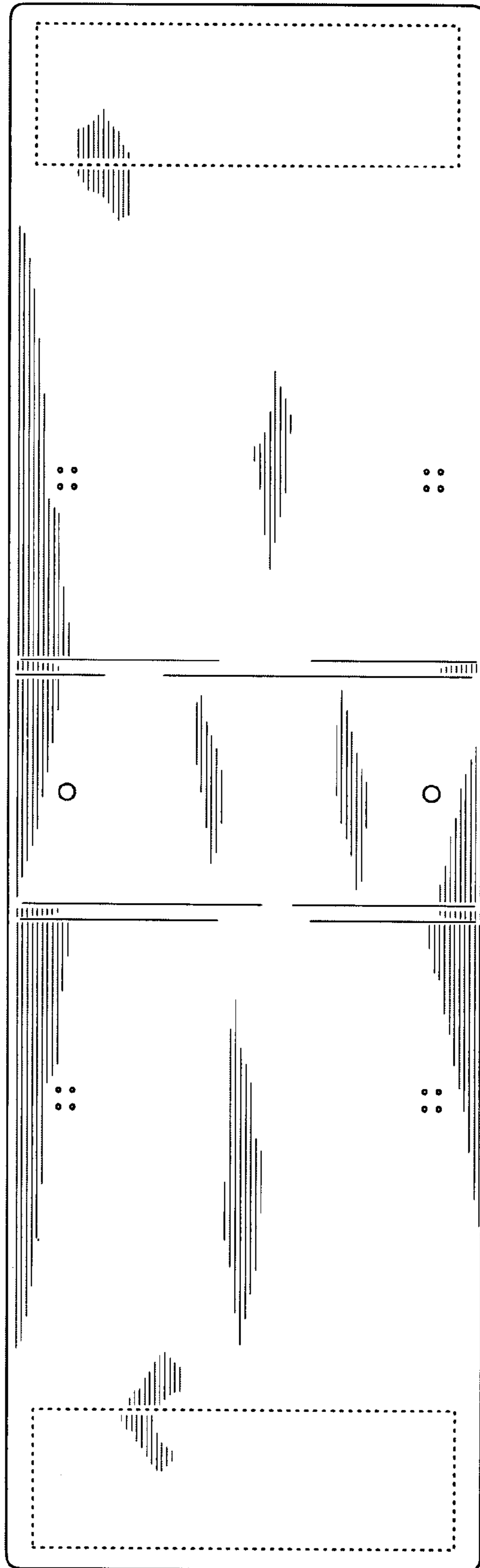


FIG. 9