

US00D565292S

(12) **United States Design Patent**
Bush

(10) **Patent No.:** **US D565,292 S**

(45) **Date of Patent:** **** Apr. 1, 2008**

(54) **GOLF BALL AND ACCESSORY BAG**

2003/0006154 A1* 1/2003 Chen 206/315.9

(76) Inventor: **Sarah E. Bush**, 9510 - 112TH Ave.
NE., Kirkland, WA (US) 98033

* cited by examiner

Primary Examiner—Catherine R. Oliver
(74) *Attorney, Agent, or Firm*—Dean A. Craine

(**) Term: **14 Years**

(21) Appl. No.: **29/293,171**

(57) **CLAIM**

(22) Filed: **Nov. 7, 2007**

The ornamental design for a golf ball and accessory bag, as shown and described.

(51) **LOC (8) Cl.** **03-01**

(52) **U.S. Cl.** **D3/221**

(58) **Field of Classification Search** D3/221,
D3/215, 224, 226, 228, 255, 257; 224/666,
224/660, 918-919, 676-680, 196-197; D21/793-796,
D21/789; 206/315.9

See application file for complete search history.

DESCRIPTION

FIG. 1 is a perspective view of the golf ball and accessory bag.

FIG. 2 is a front elevational view of the invention.

FIG. 3 is a rear elevational view of the invention.

FIG. 4 is a left side elevational view of the invention.

FIG. 5 is a right side elevational view of the invention.

FIG. 6 is a top plan view of the invention; and,

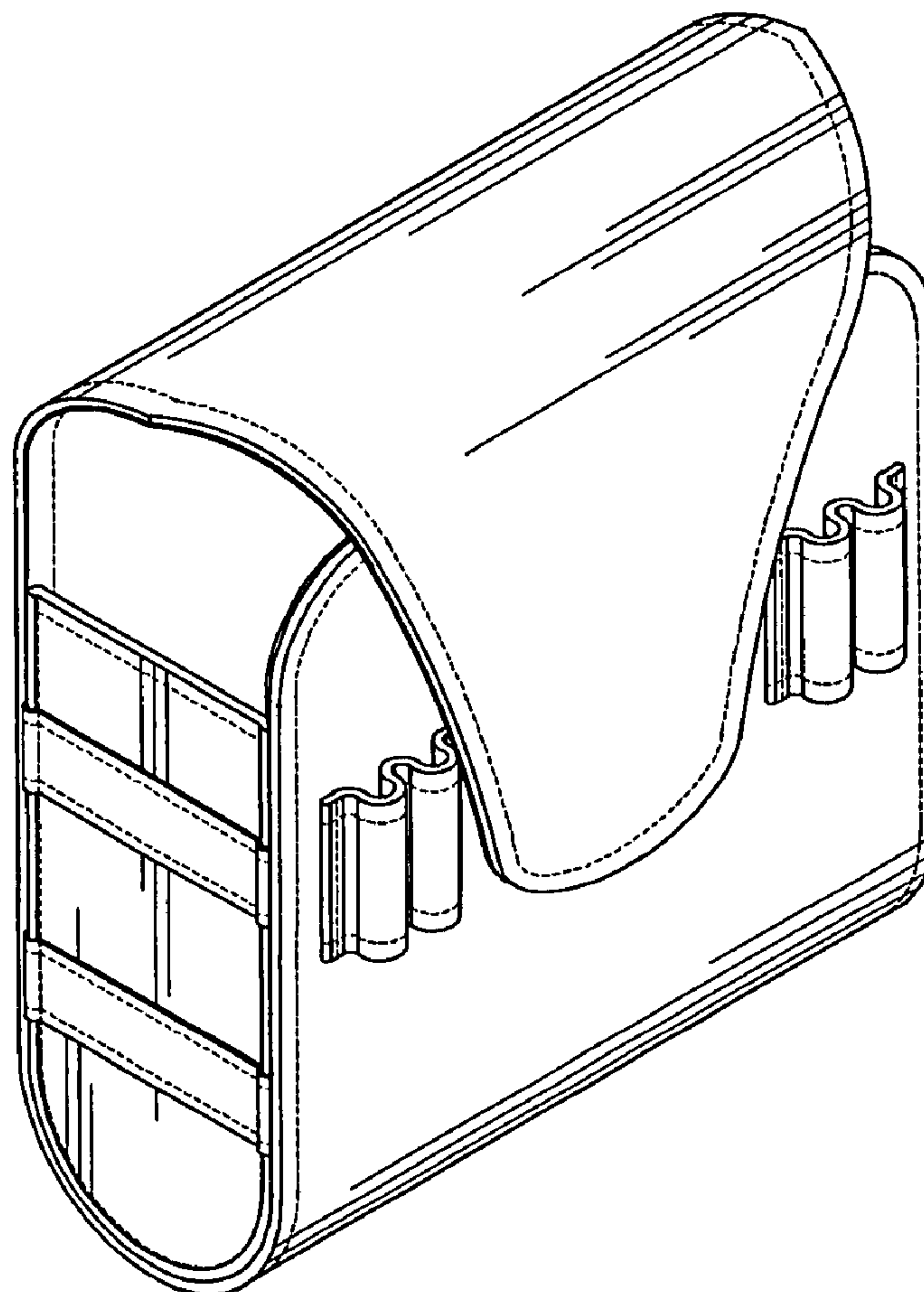
FIG. 7 is a bottom plan view of the invention.

(56) **References Cited**

U.S. PATENT DOCUMENTS

D464,193 S *	10/2002	Leung	D3/221
D504,483 S *	4/2005	Leung	D3/221
D514,313 S *	2/2006	Crippen	D3/221
D520,740 S *	5/2006	Giordano et al.	D3/221

1 Claim, 2 Drawing Sheets



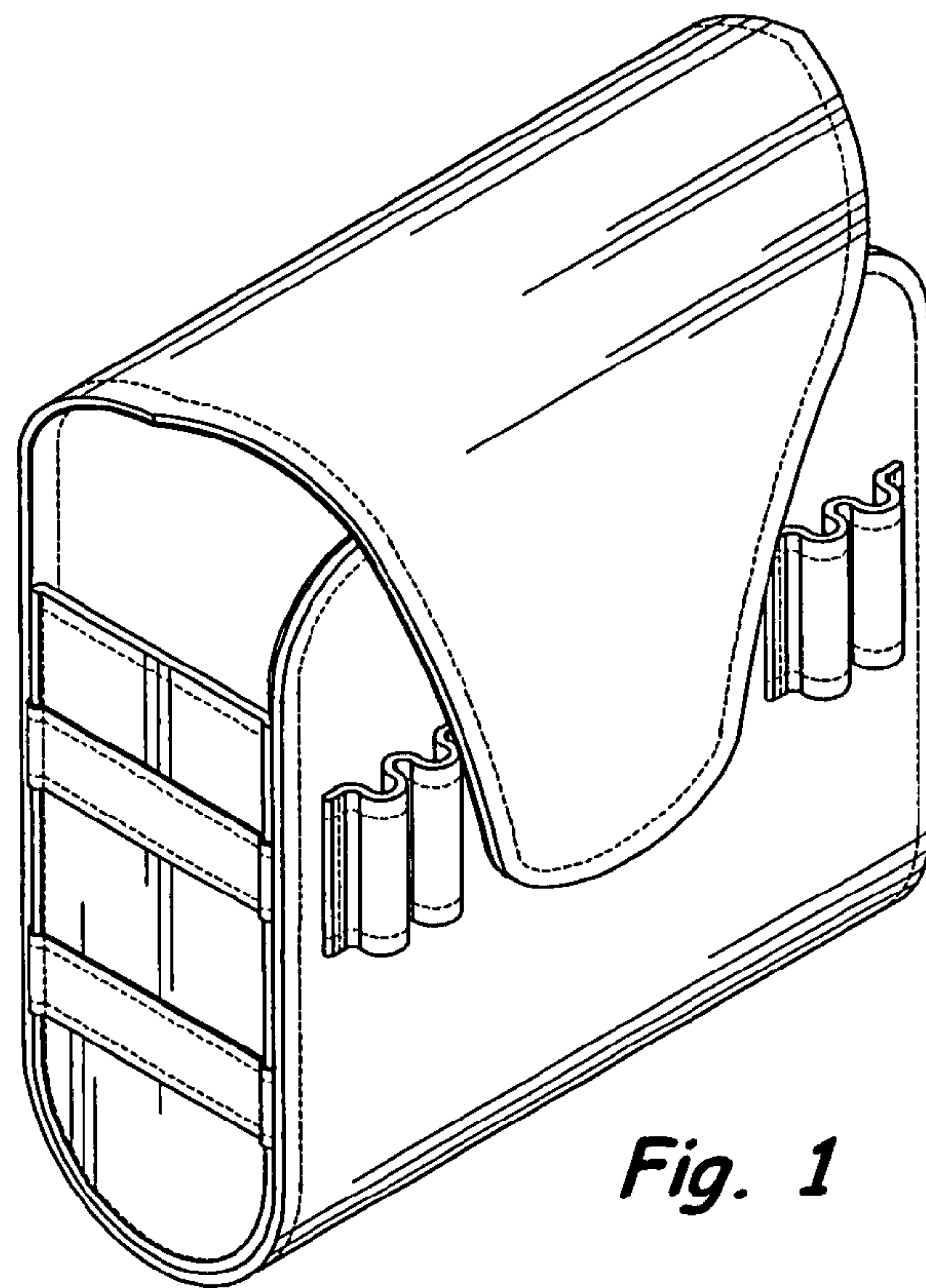


Fig. 1

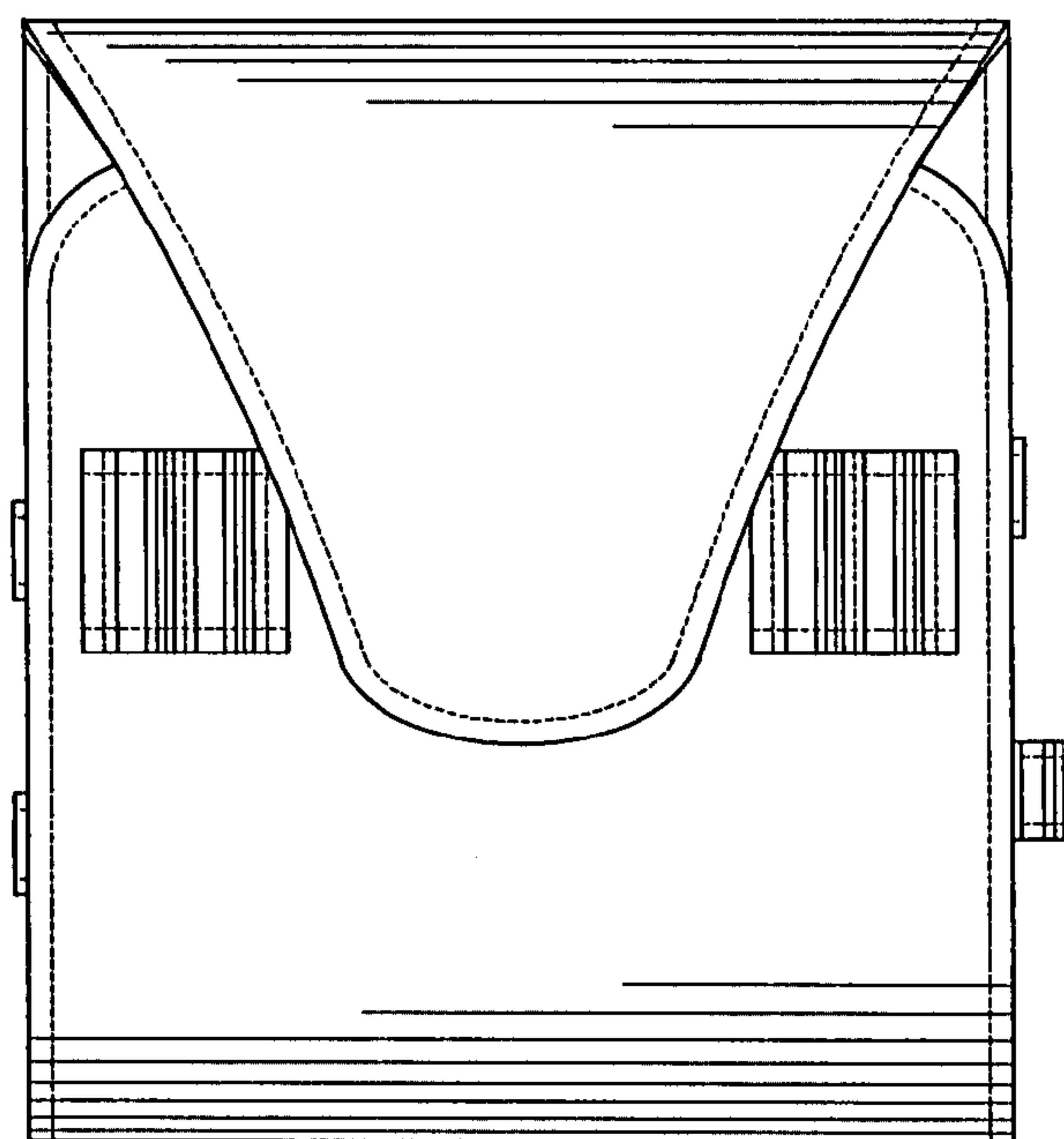


Fig. 2

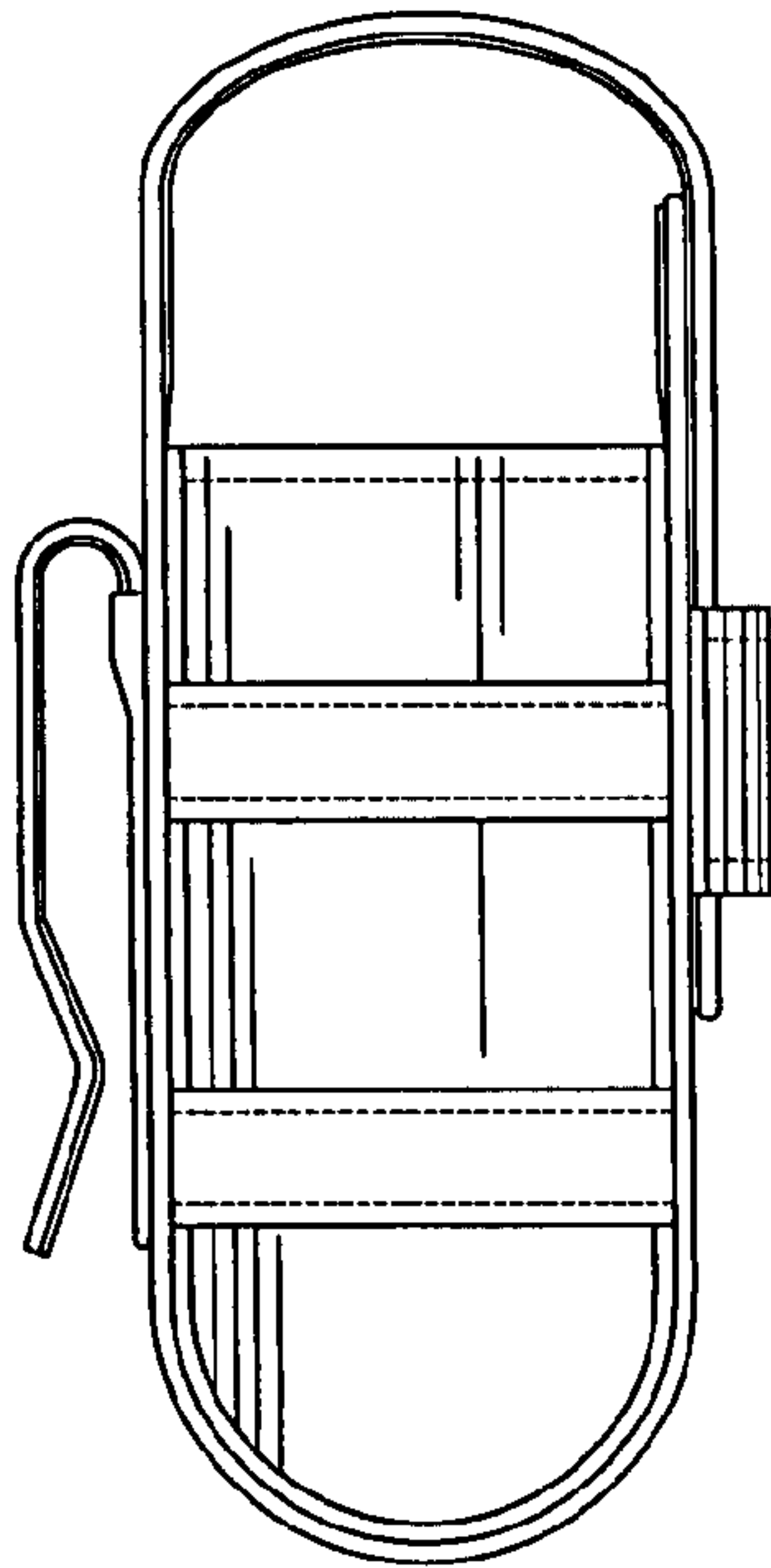


Fig. 4

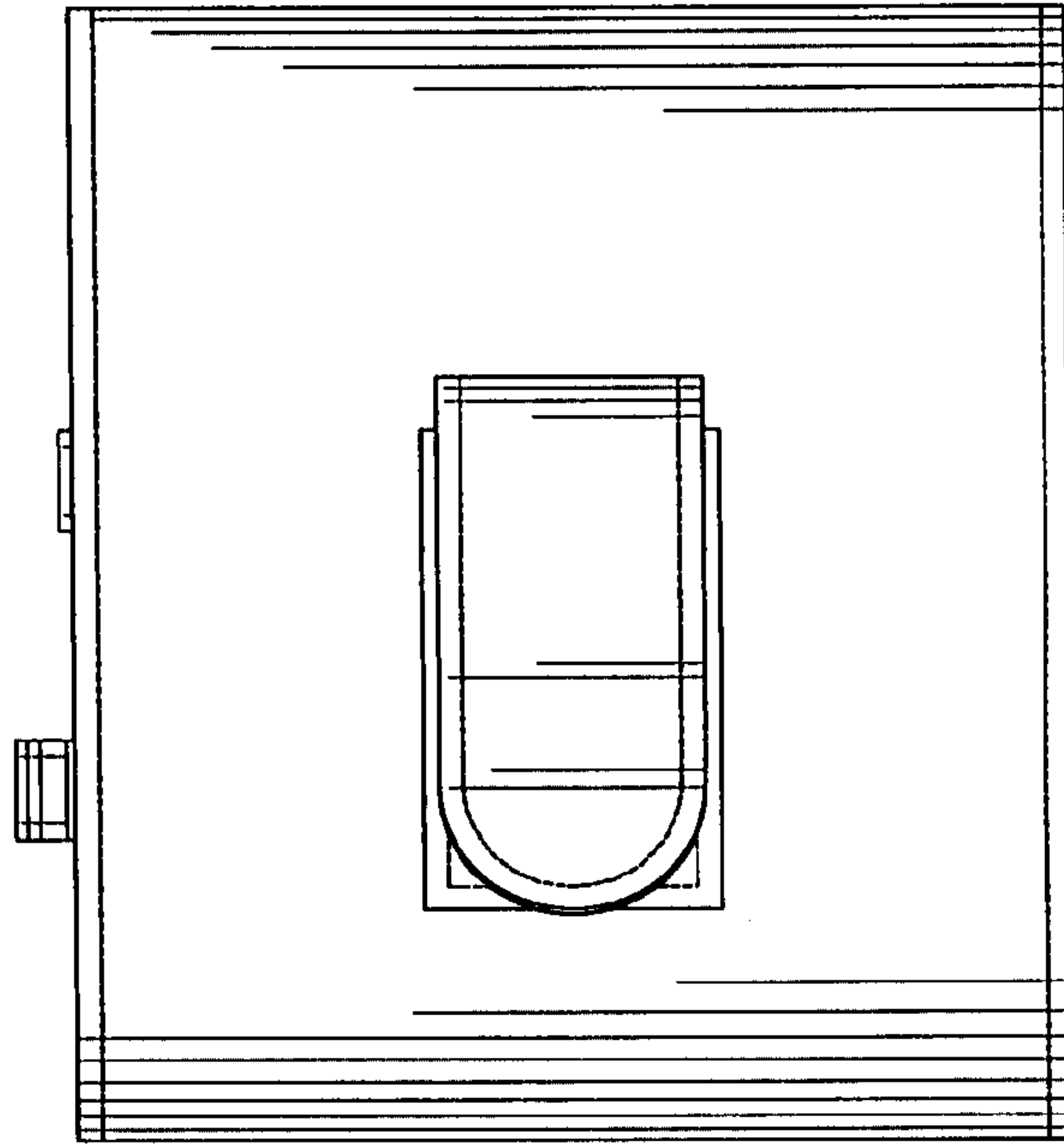


Fig. 3

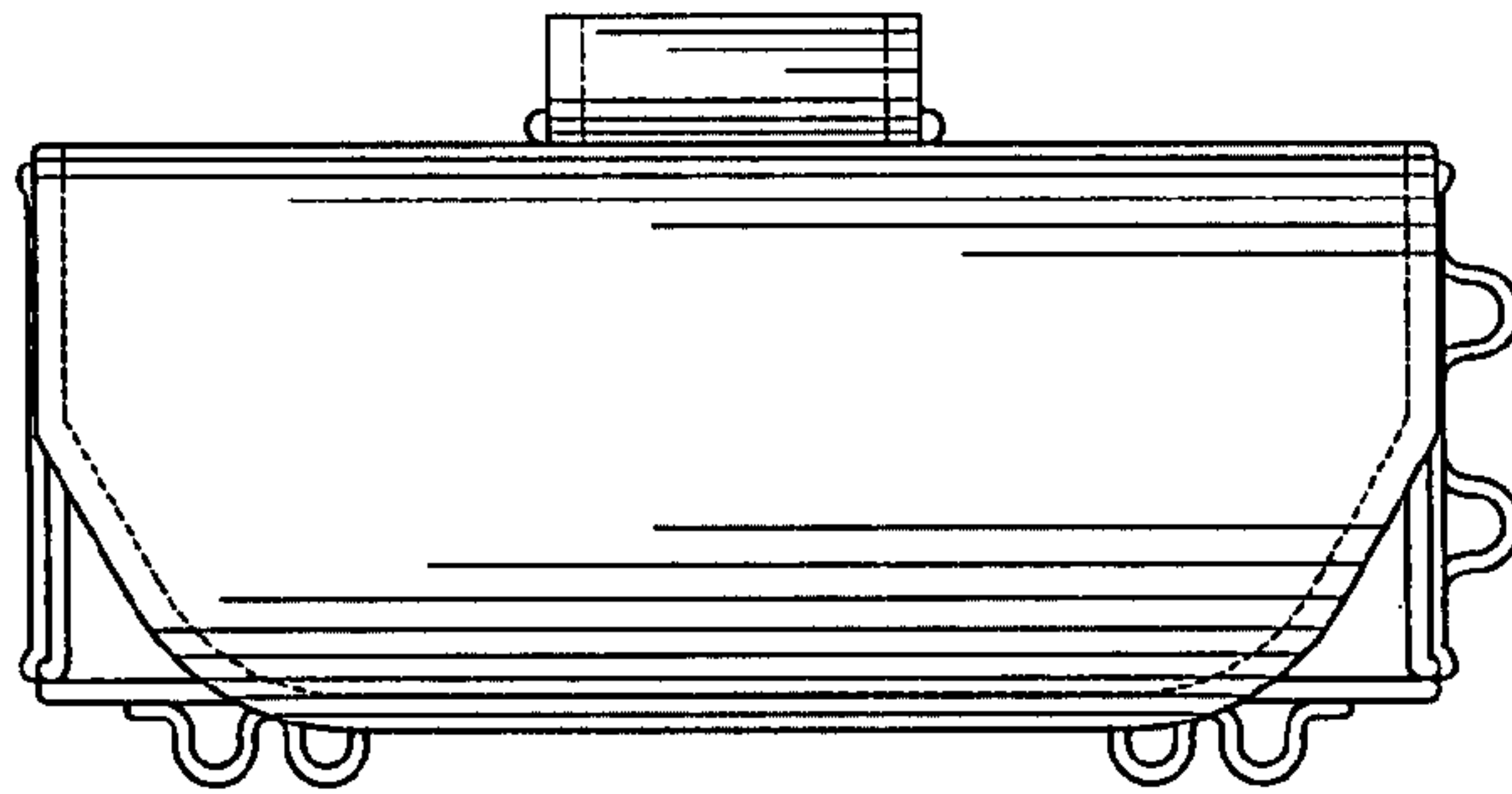


Fig. 6

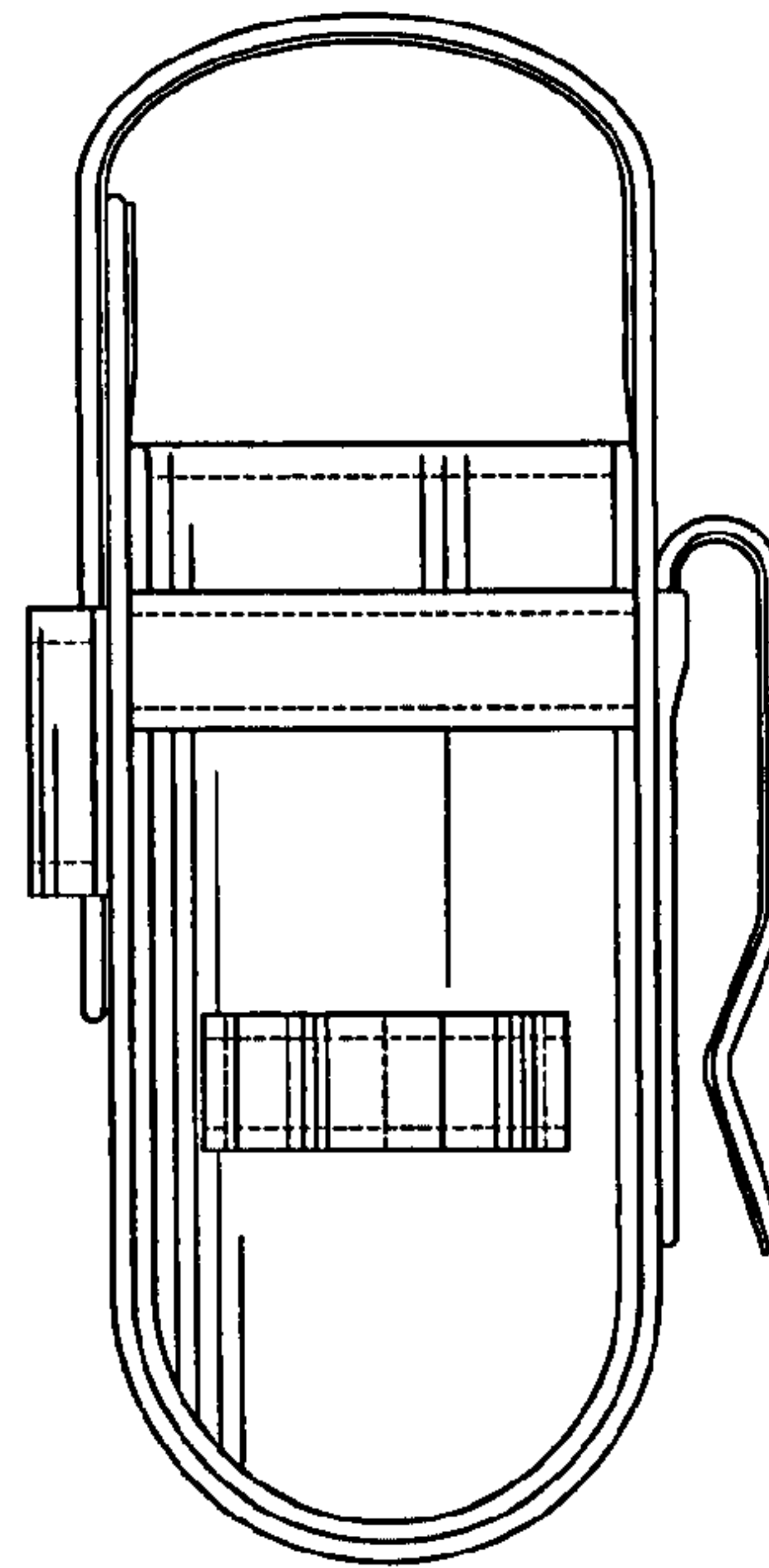


Fig. 5

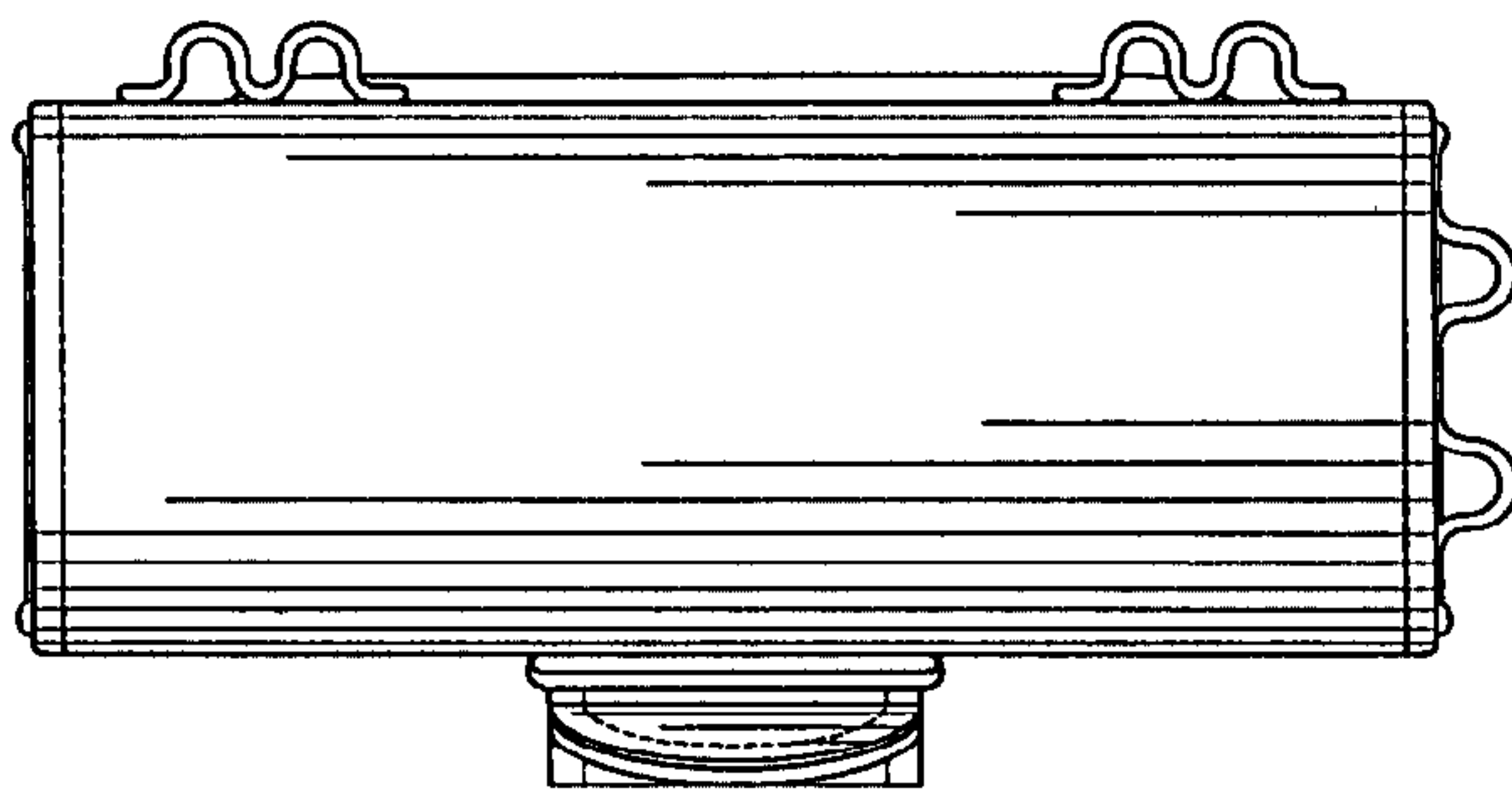


Fig. 7