



US00D565290S

(12) **United States Design Patent** (10) **Patent No.:** **US D565,290 S**
Brandenburg et al. (45) **Date of Patent:** **** Apr. 1, 2008**

(54) **MOBILE TELEPHONE CASE**

DESCRIPTION

(75) Inventors: **Kyle Brandenburg**, Philadelphia, PA (US); **Edward Martin**, Hollywood, FL (US)

(73) Assignee: **Marware, Inc.**, Hollywood, FL (US)

(**) Term: **14 Years**

(21) Appl. No.: **29/282,803**

(22) Filed: **Jul. 30, 2007**

(51) **LOC (8) Cl.** **03-01**

(52) **U.S. Cl.** **D3/218**

(58) **Field of Classification Search** D3/218,
D3/201, 215, 219, 226; 224/230, 236, 240,
224/242, 904, 640, 646, 940; 379/419-420,
379/454-455, 446; D14/248, 253; 455/575.1-575;
206/305, 320

See application file for complete search history.

(56) **References Cited**

U.S. PATENT DOCUMENTS

D468,525 S *	1/2003	Boyle et al.	D3/218
D508,605 S *	8/2005	Hwang et al.	D3/218
D517,310 S *	3/2006	Aron et al.	D3/218
D529,713 S *	10/2006	Guyot et al.	D3/218
D551,856 S *	10/2007	Ko et al.	D3/218

* cited by examiner

Primary Examiner—Catherine R. Oliver

(74) *Attorney, Agent, or Firm*—Laurence A. Greenberg;
Werner H. Stemer; Ralph E. Locher

(57) **CLAIM**

The ornamental design for the mobile telephone case, as shown and described.

FIG. 1 is a perspective, front-elevational view of a mobile telephone case, with a winder in a closed storage position, showing my new design;

FIG. 2 is a side-elevational view thereof in the winder position of FIG. 1;

FIG. 3 is a rear-elevational view thereof;

FIG. 4 is a top-plan view thereof;

FIG. 5 is a bottom-plan view thereof;

FIG. 6 is a front-elevational view of the mobile telephone case showing my new design, with the winder in an open position;

FIG. 7 is a rear-elevational view thereof in the winder position of FIG. 6;

FIG. 8 is a top-plan view thereof;

FIG. 9 is a bottom-plan view thereof;

FIG. 10 is a front perspective view of the mobile telephone case showing my new design, in the winder position of FIG. 1;

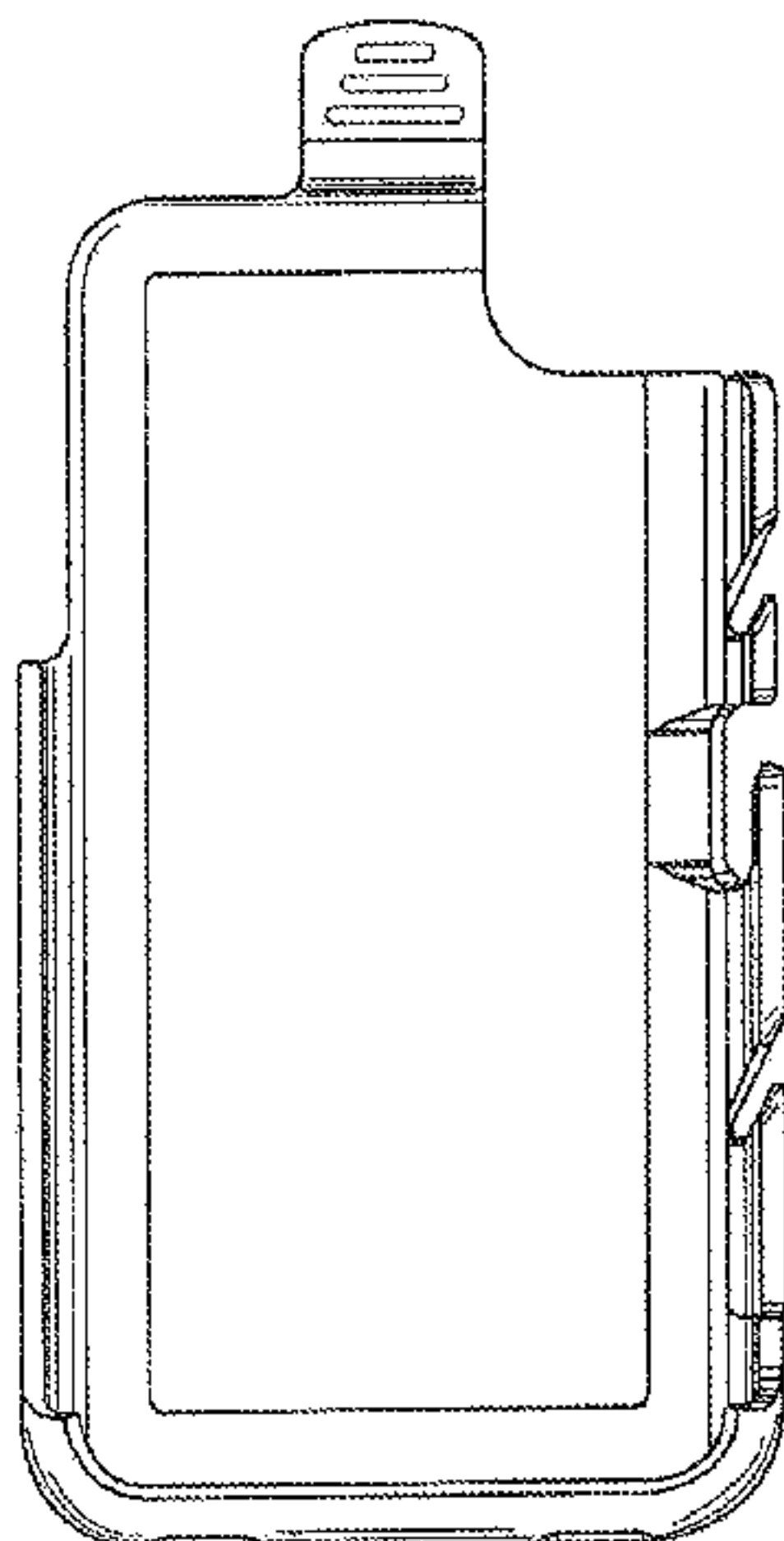
FIG. 11 is a front perspective view of the mobile telephone case in the winder position of FIG. 1, with an inwardly-facing mobile telephone disposed therein, the mobile telephone is shown in broken lines and it does not form a part of the claimed invention;

FIG. 12 is a front perspective view of the mobile telephone case in the winder position of FIG. 1, with an outwardly-facing mobile telephone disposed therein shown in broken lines;

FIG. 13 is a rear perspective view of the mobile telephone case in the winder position of FIG. 7, with an inwardly-facing mobile telephone disposed therein shown in broken lines; and,

FIG. 14 is an exploded, rear perspective view of the mobile telephone case according to the invention.

1 Claim, 4 Drawing Sheets



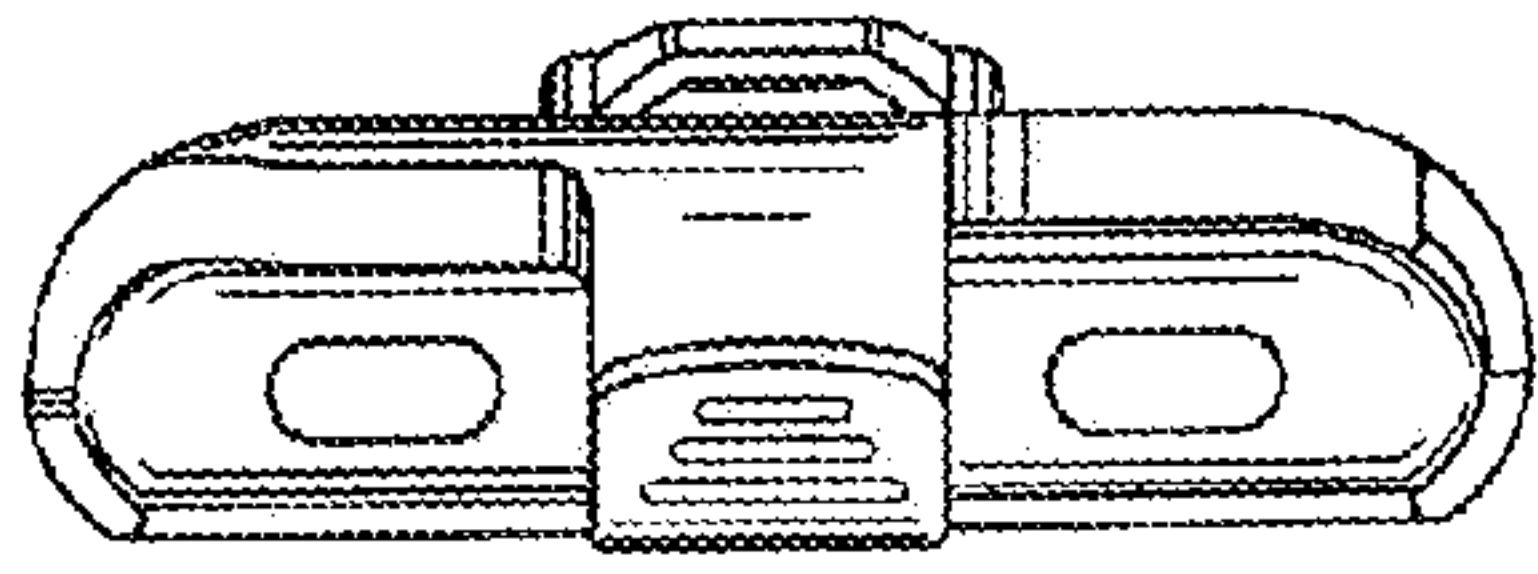


Fig 4

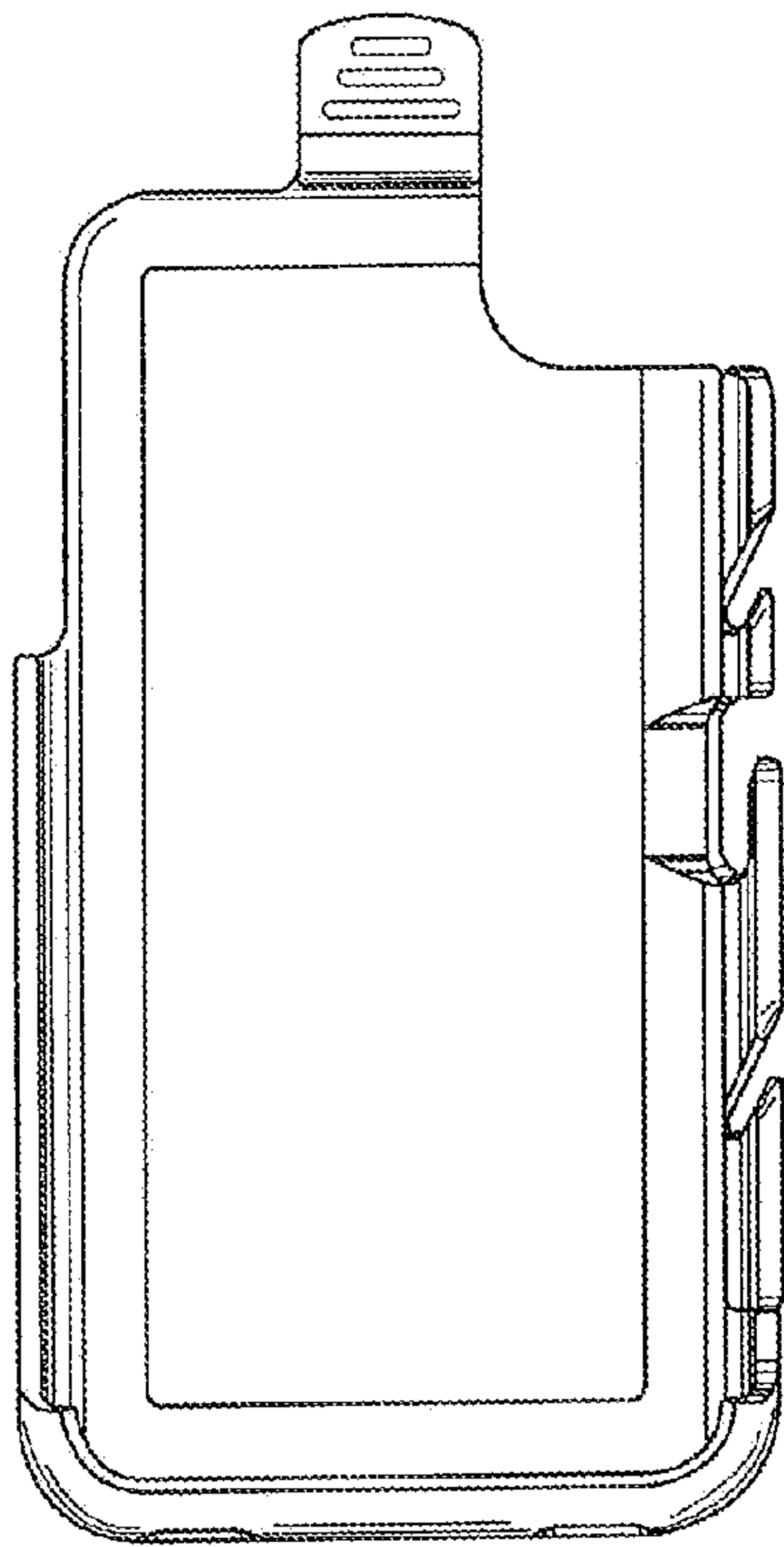


Fig 1

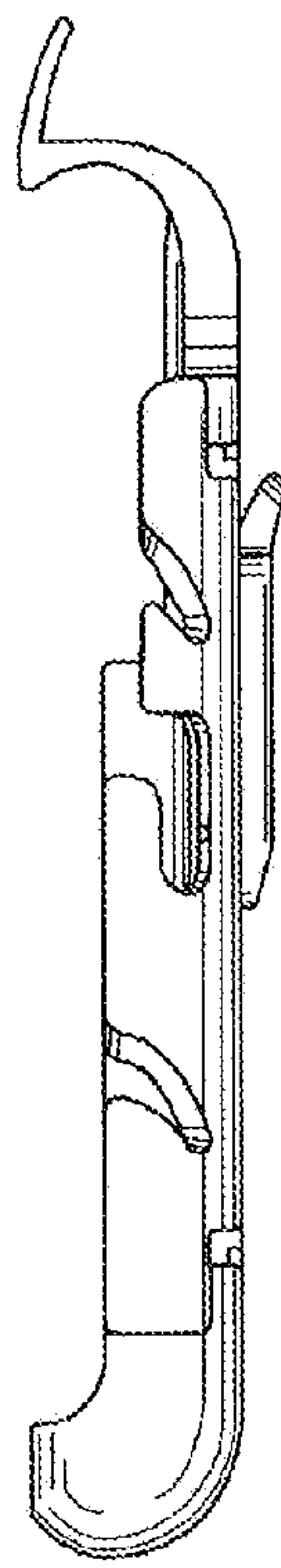


Fig 2

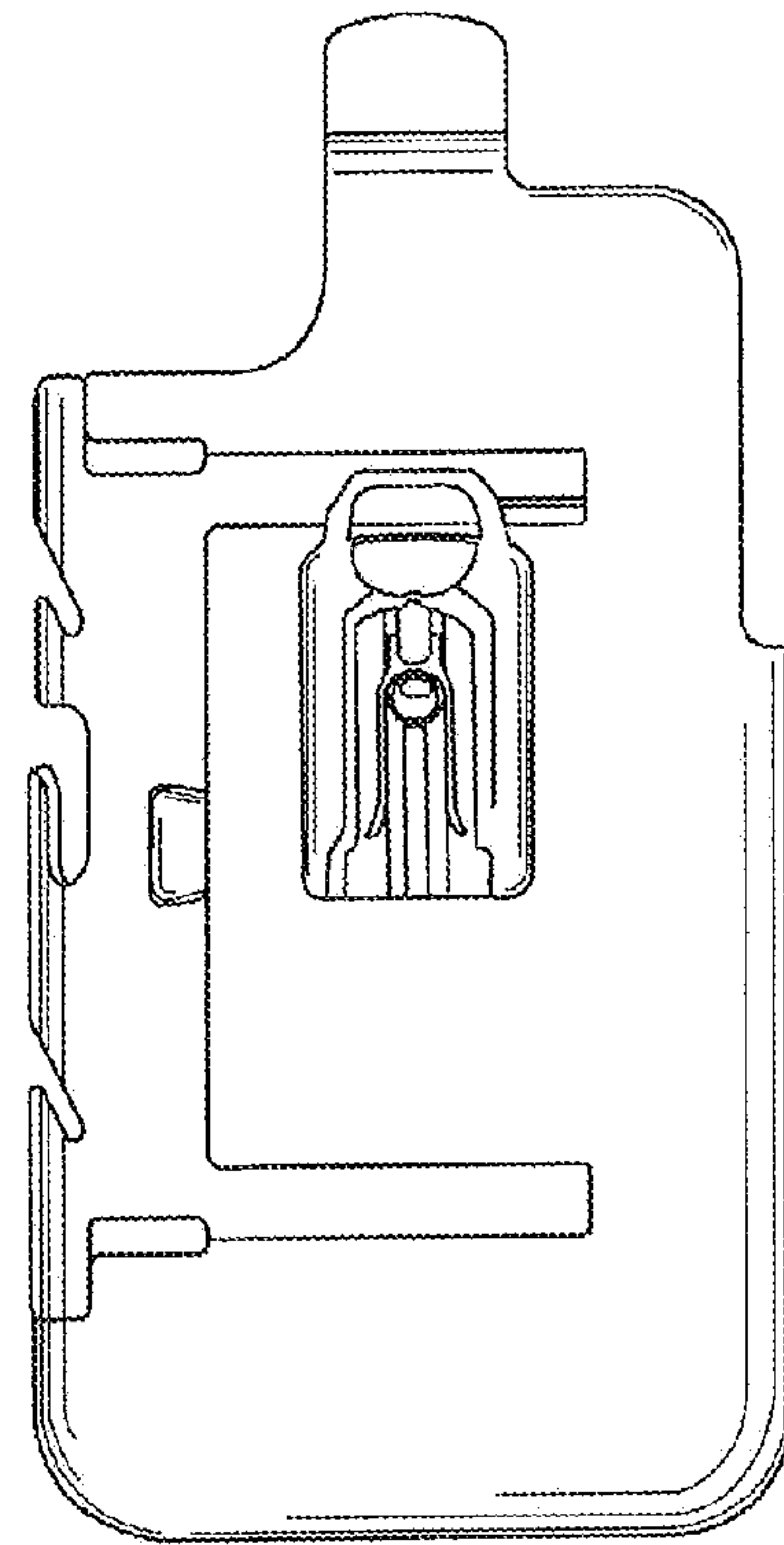


Fig 3

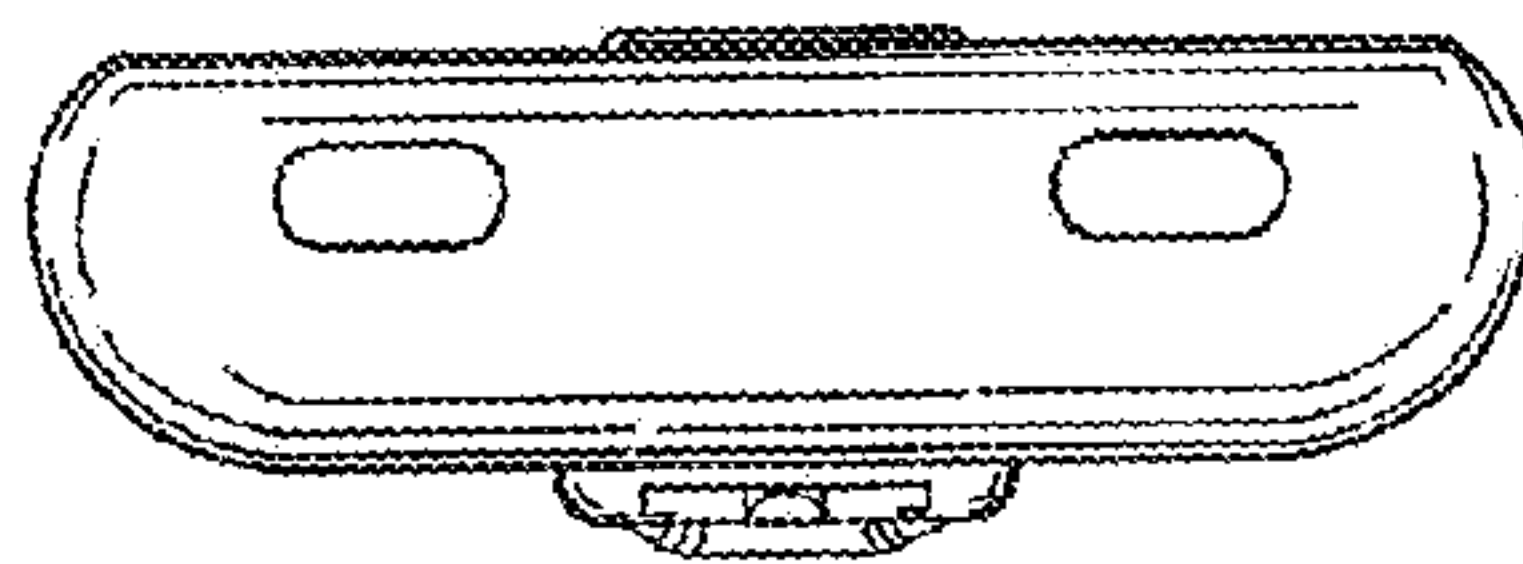


Fig 5

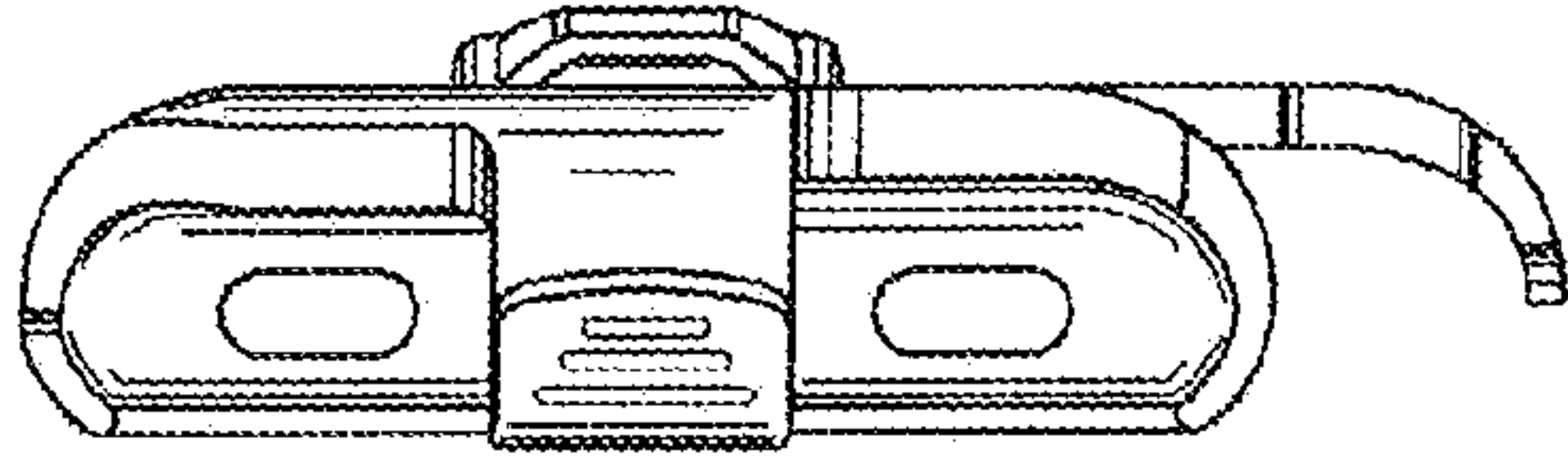


Fig 8

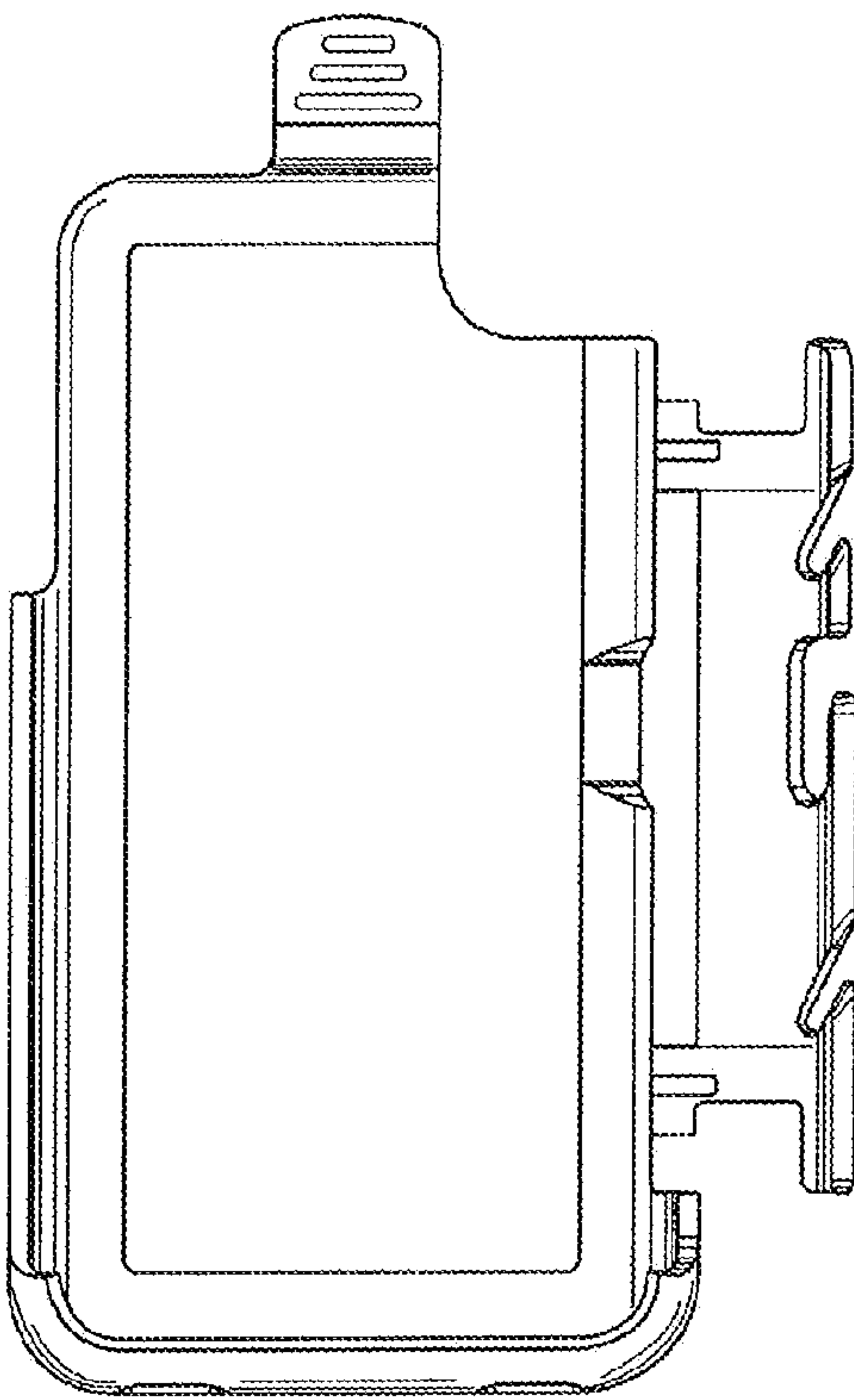


Fig 6

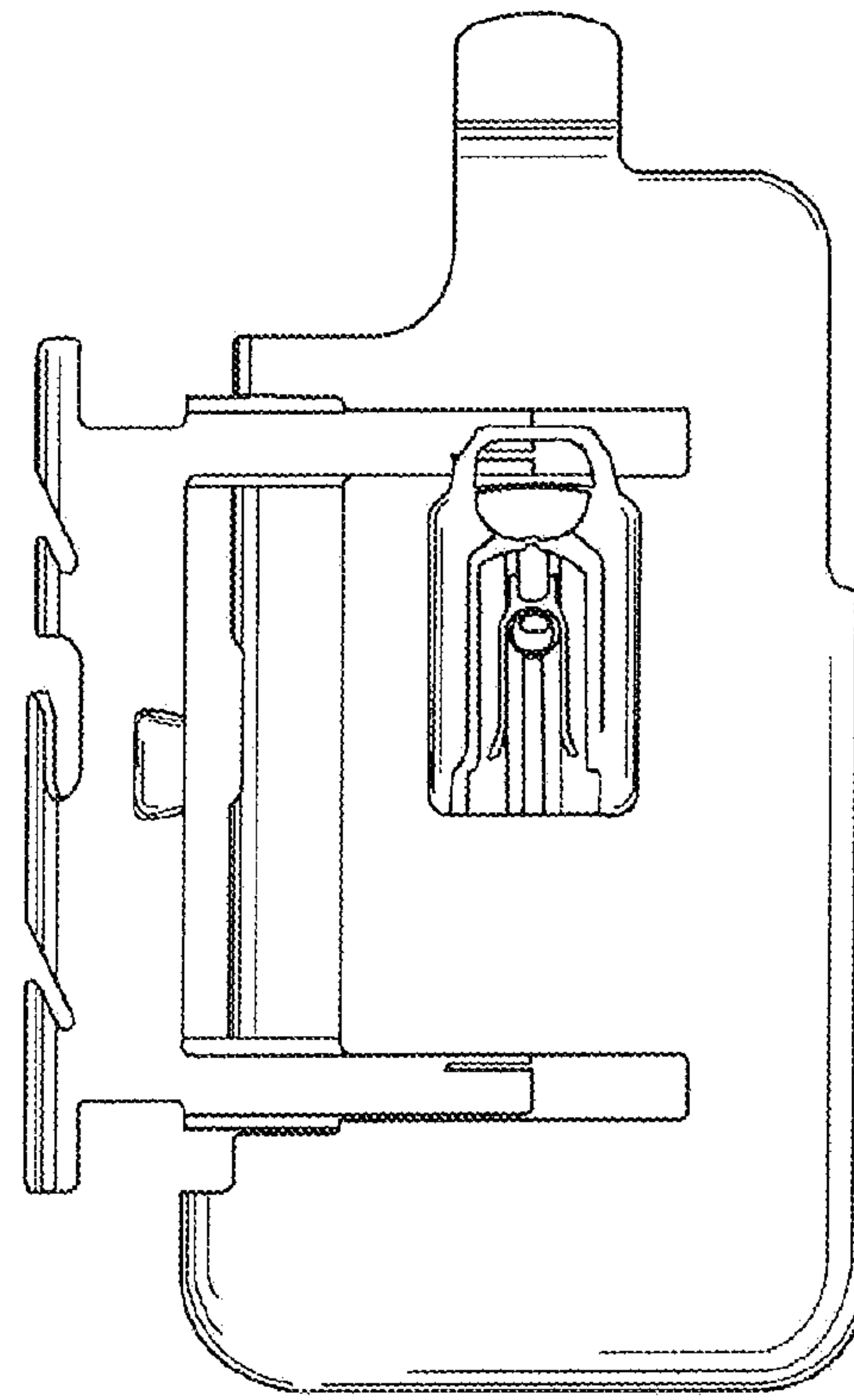


Fig 7

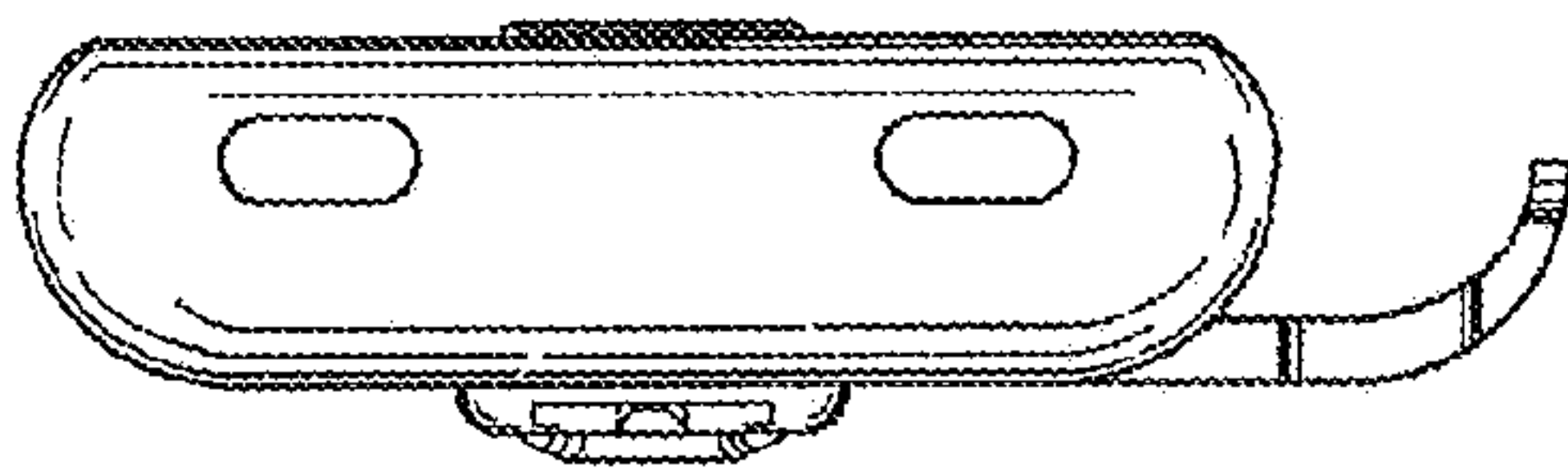


Fig 9

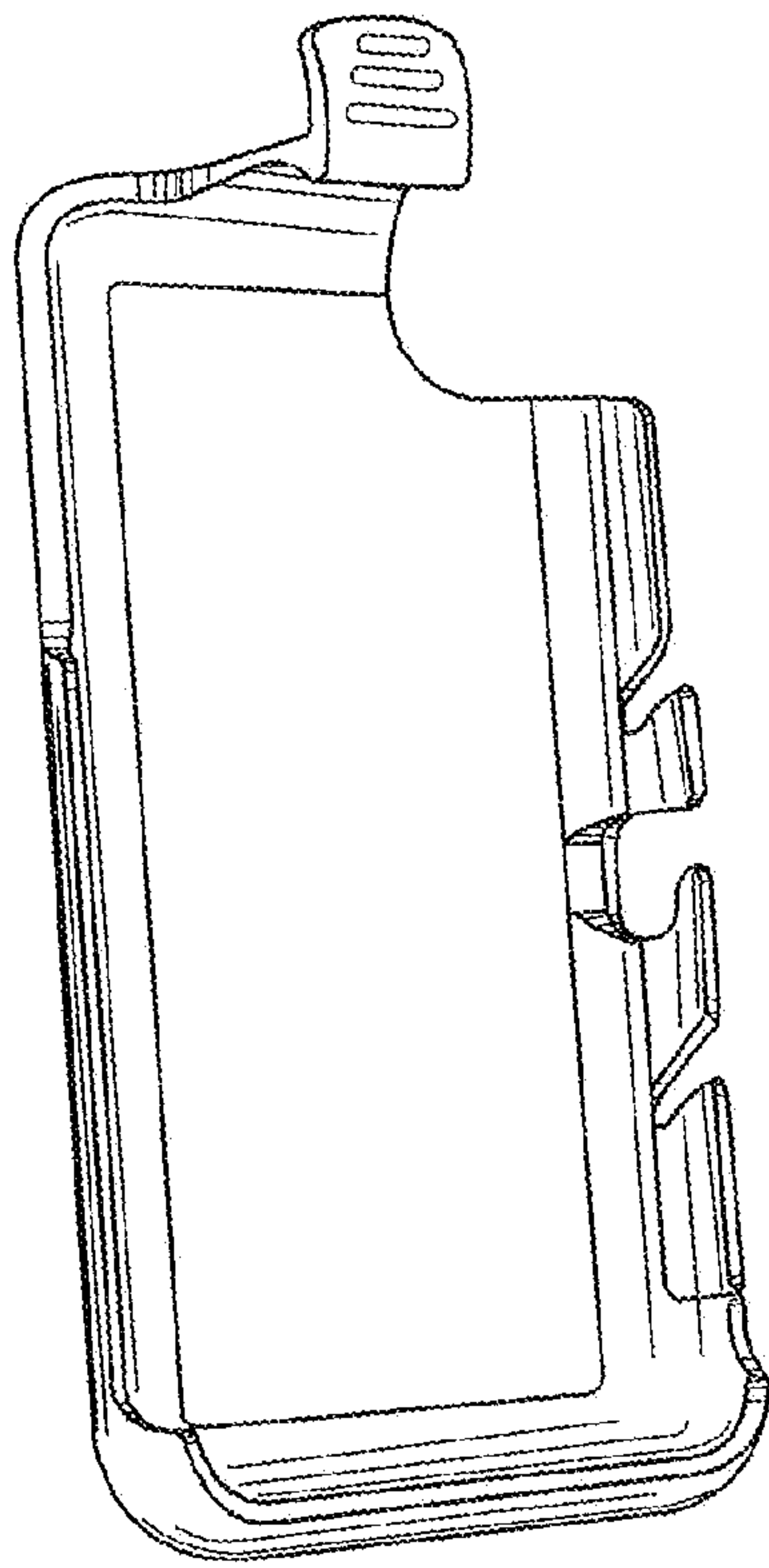


Fig 10

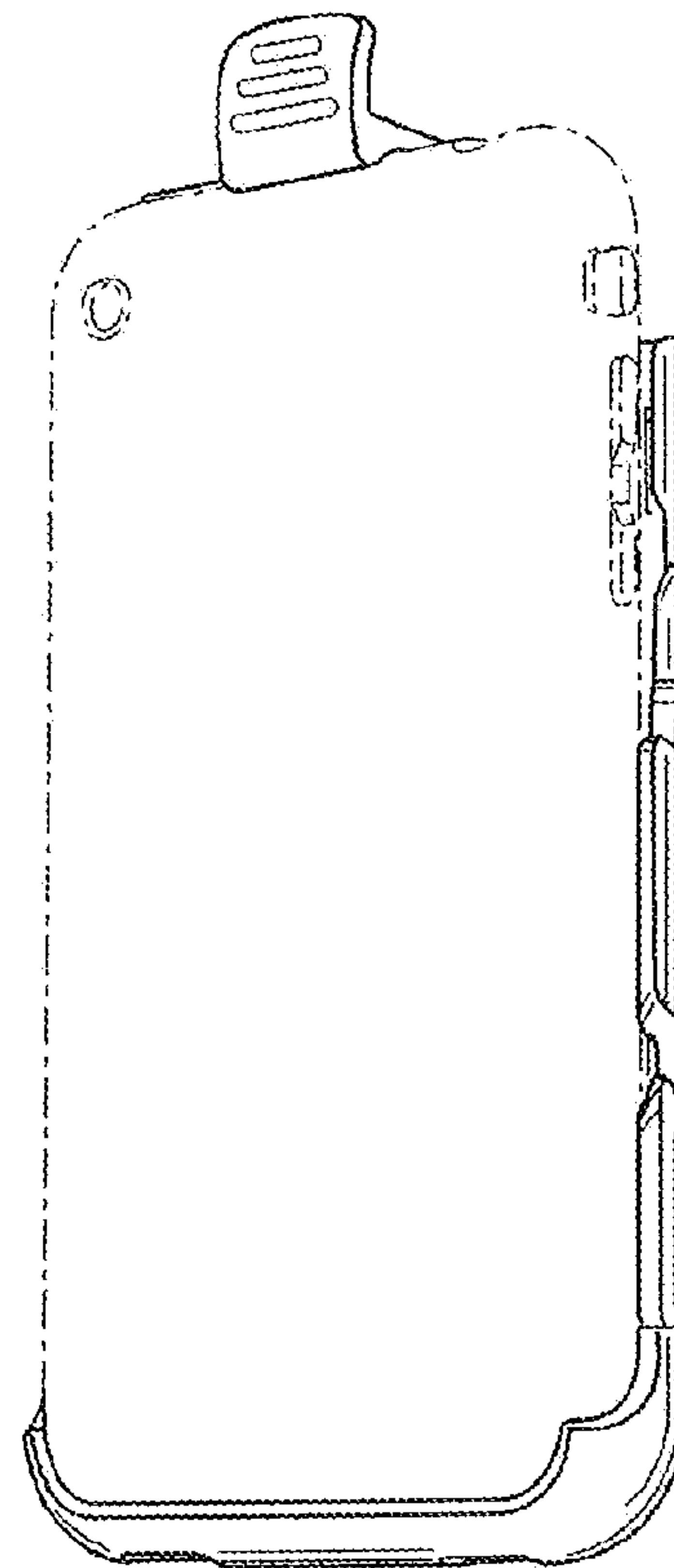


Fig 11

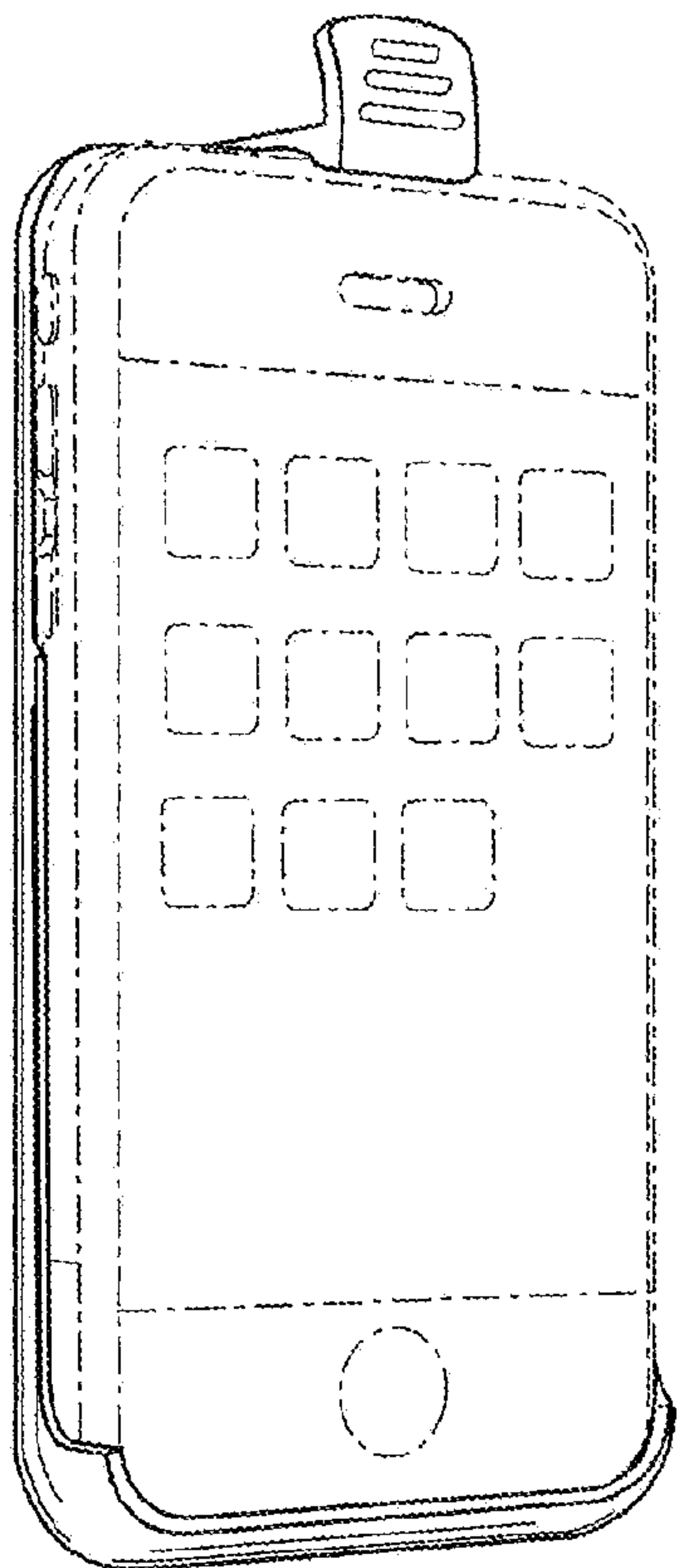


Fig 12

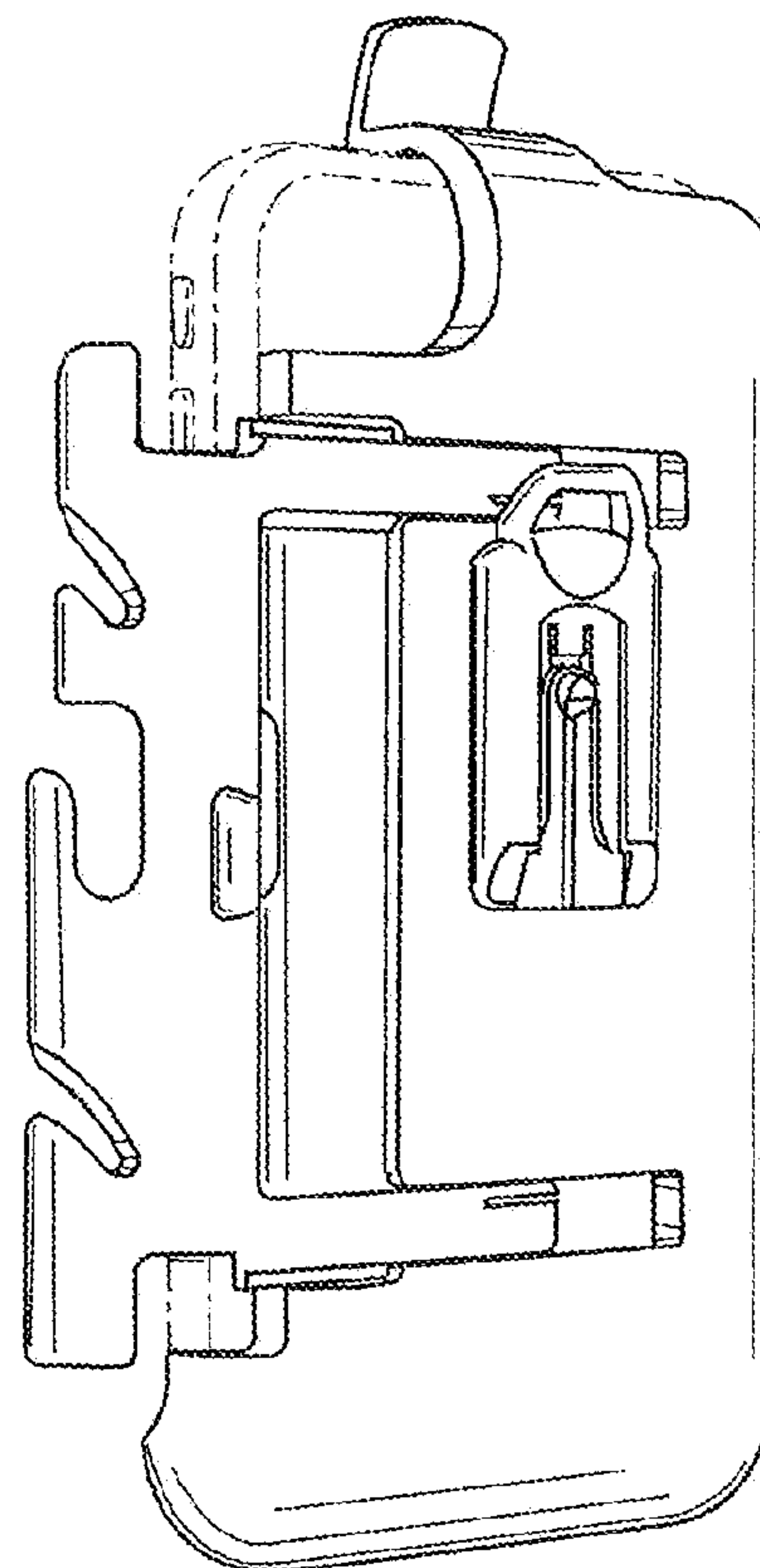


Fig 13

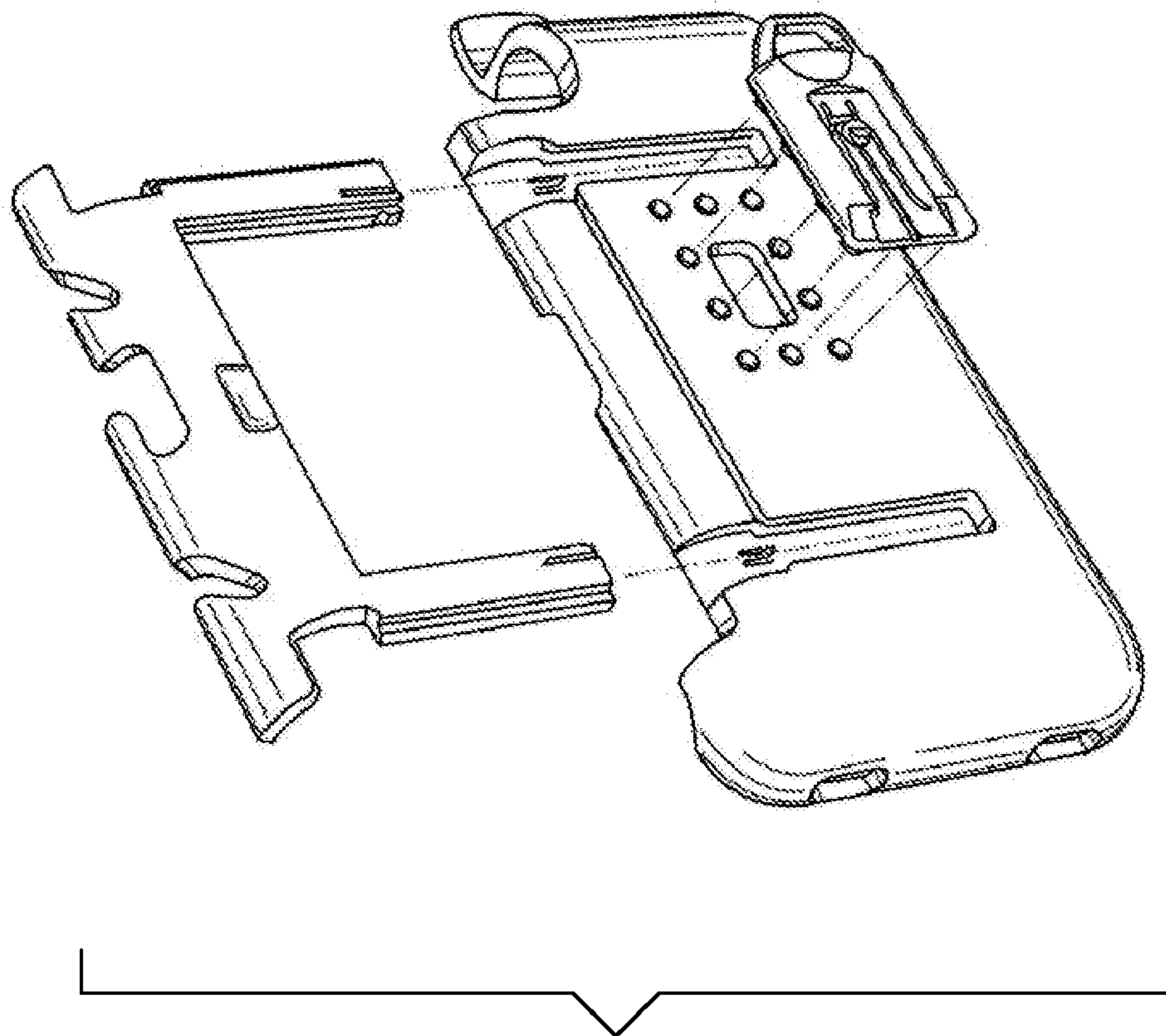


FIG. 14