



US00D565289S

(12) **United States Design Patent**
Christie et al.

(10) **Patent No.:** **US D565,289 S**

(45) **Date of Patent:** **** Apr. 1, 2008**

(54) **RAZOR STORAGE CASE**

(75) Inventors: **Vanessa Christie**, South Boston, MA (US); **Christopher Ramm**, North Attleboro, MA (US)

(73) Assignee: **The Gillette Company**, Boston, MA (US)

(**) Term: **14 Years**

(21) Appl. No.: **29/291,461**

(22) Filed: **Oct. 4, 2007**

(51) **LOC (8) Cl.** **03-01**

(52) **U.S. Cl.** **D3/205**

(58) **Field of Classification Search** D3/201,
D3/205; D9/526; D28/47, 73, 83; 132/289,
132/73, 311, 314, 315; 206/228, 581, 759,
206/804, 864

See application file for complete search history.

(56) **References Cited**

U.S. PATENT DOCUMENTS

1,695,287 A * 12/1928 Kasdan et al. 132/289
2,702,116 A * 2/1955 Shnitzler et al. 206/228
2,822,916 A * 2/1958 Wark et al. 206/228

2,823,681 A * 2/1958 Miller 206/228
D484,684 S * 1/2004 Eldon et al. D3/205
7,201,271 B1 * 4/2007 Saad 132/315

* cited by examiner

Primary Examiner—Louis S. Zarfaz

Assistant Examiner—Monica A Weingart

(74) *Attorney, Agent, or Firm*—Dara M. Kendall; Kevin C. Johnson

(57) **CLAIM**

The ornamental design for a razor storage case, as shown and described.

DESCRIPTION

FIG. 1 is a top right perspective view of a razor storage case showing our new design;

FIG. 2 is a top plan view thereof;

FIG. 3 is a right side elevational view thereof;

FIG. 4 is a bottom plan view thereof;

FIG. 5 is a left side elevational view thereof;

FIG. 6 is a front elevational view thereof; and,

FIG. 7 is a rear elevational view thereof.

1 Claim, 3 Drawing Sheets

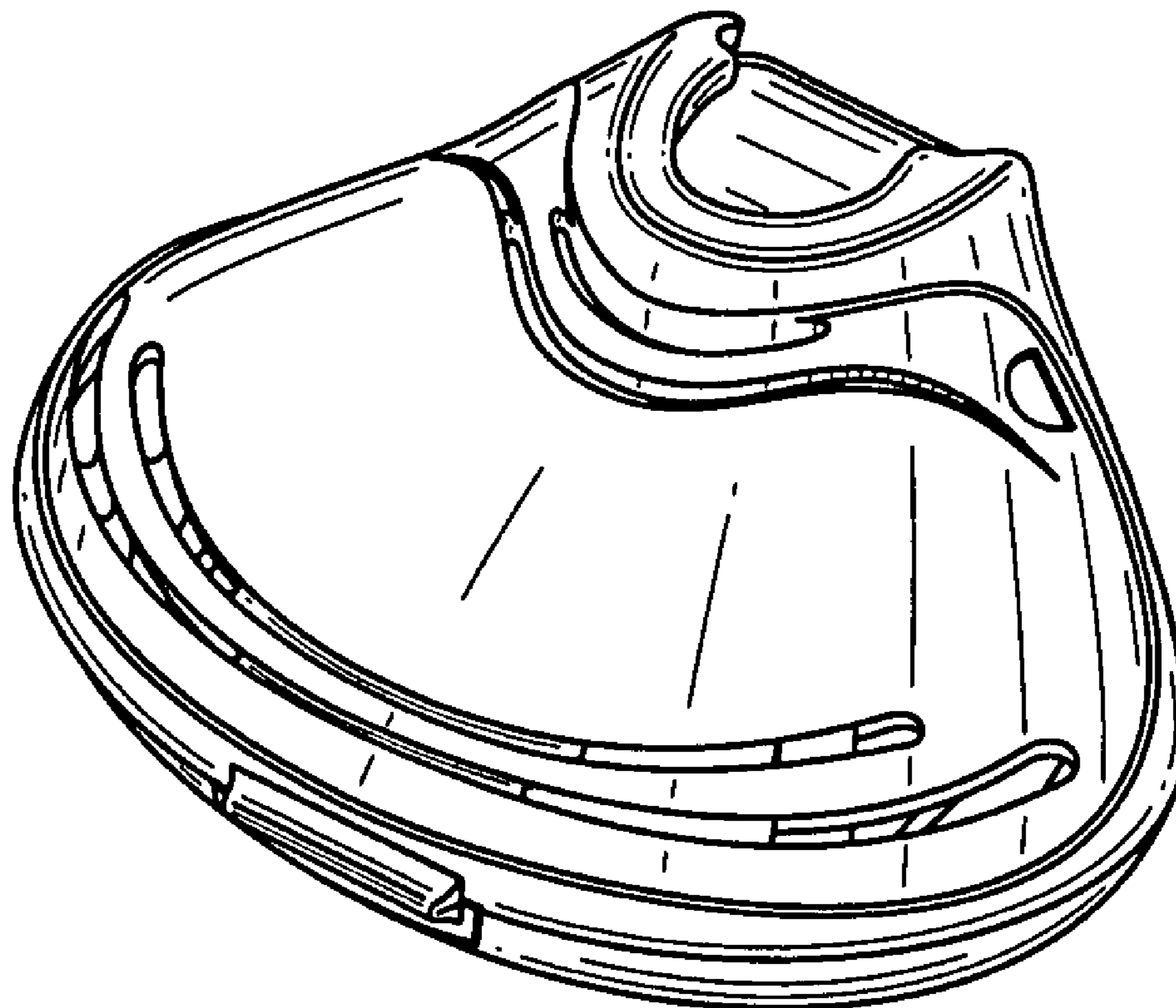


FIG. 1

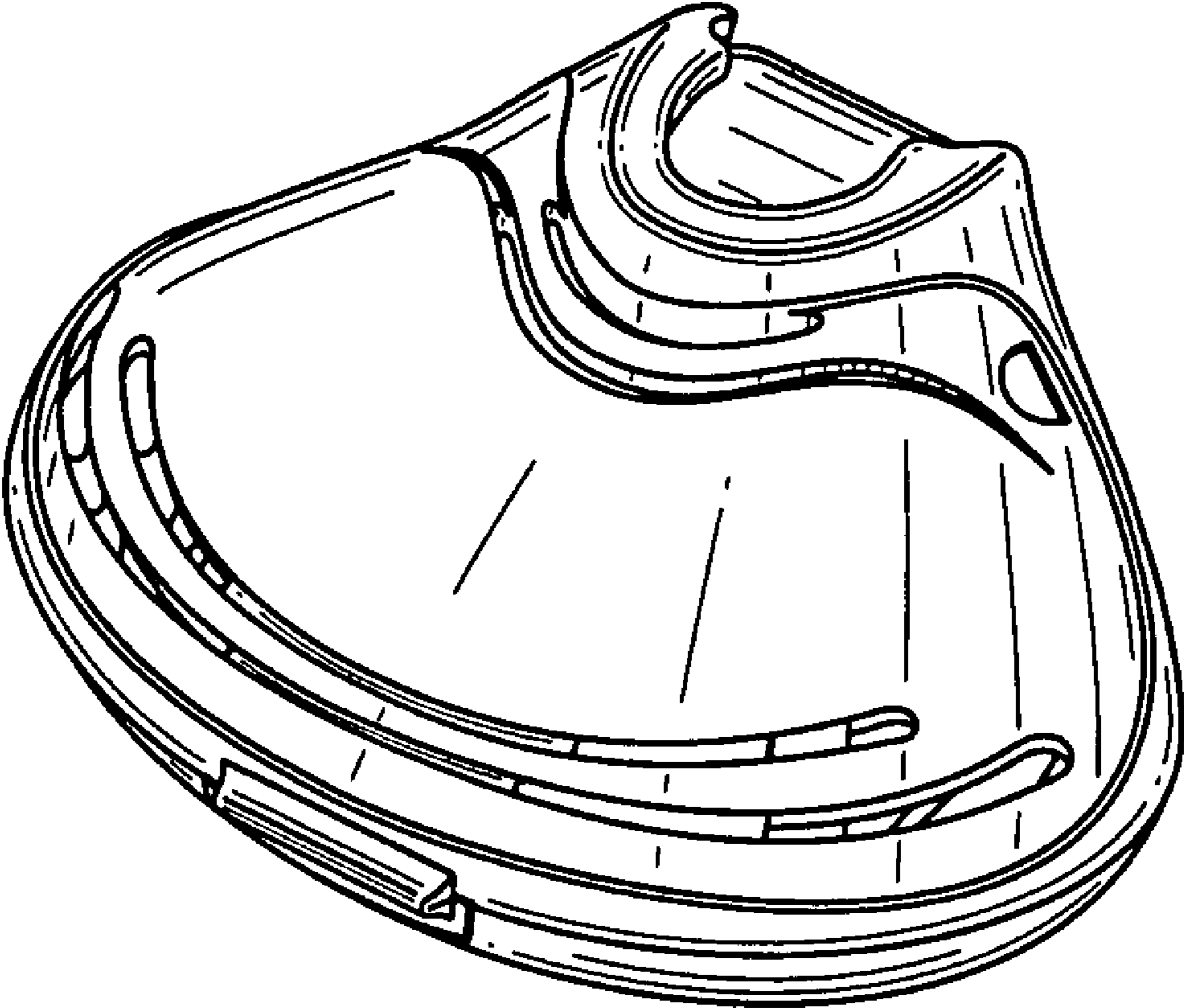


FIG. 2

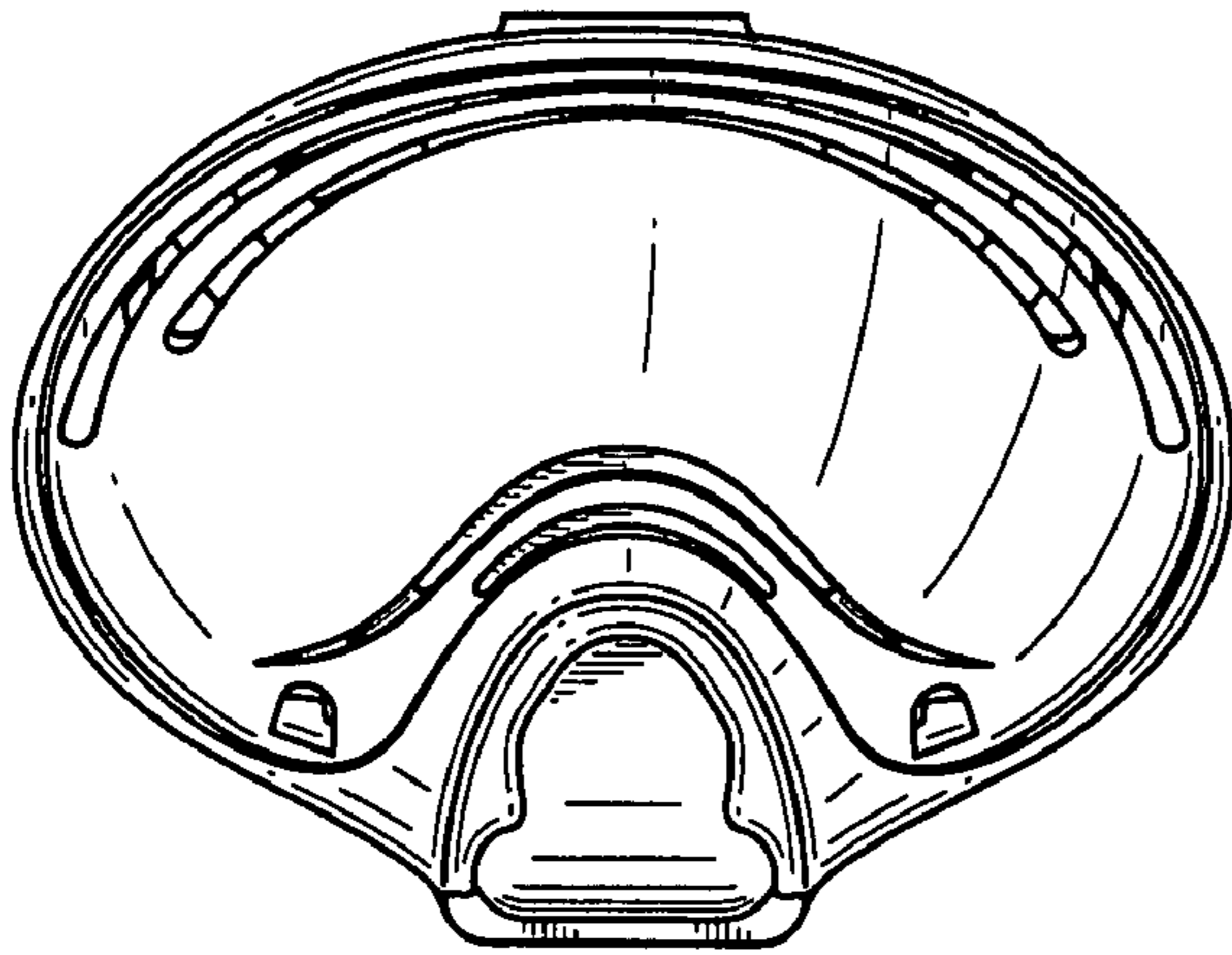


FIG. 3

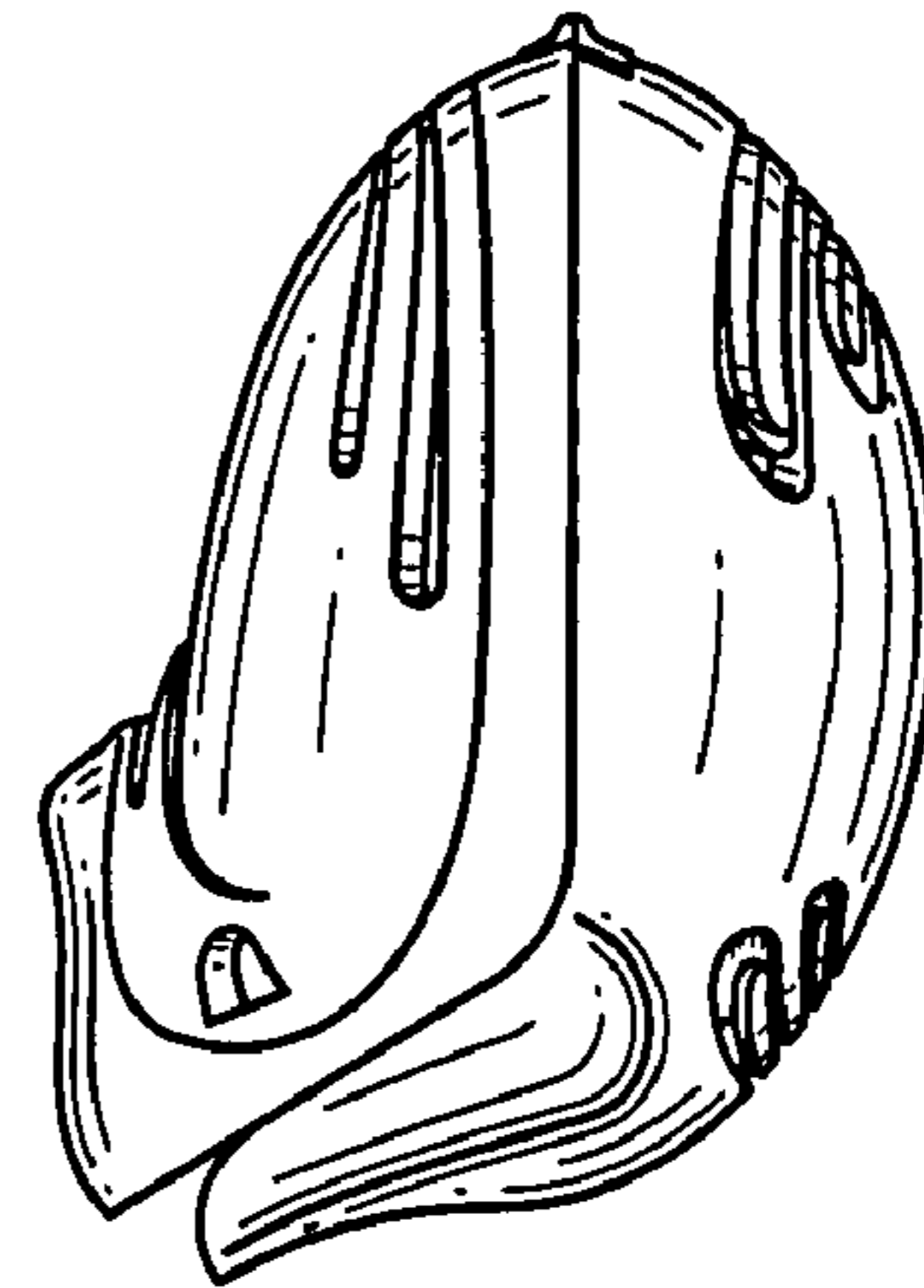


FIG. 4

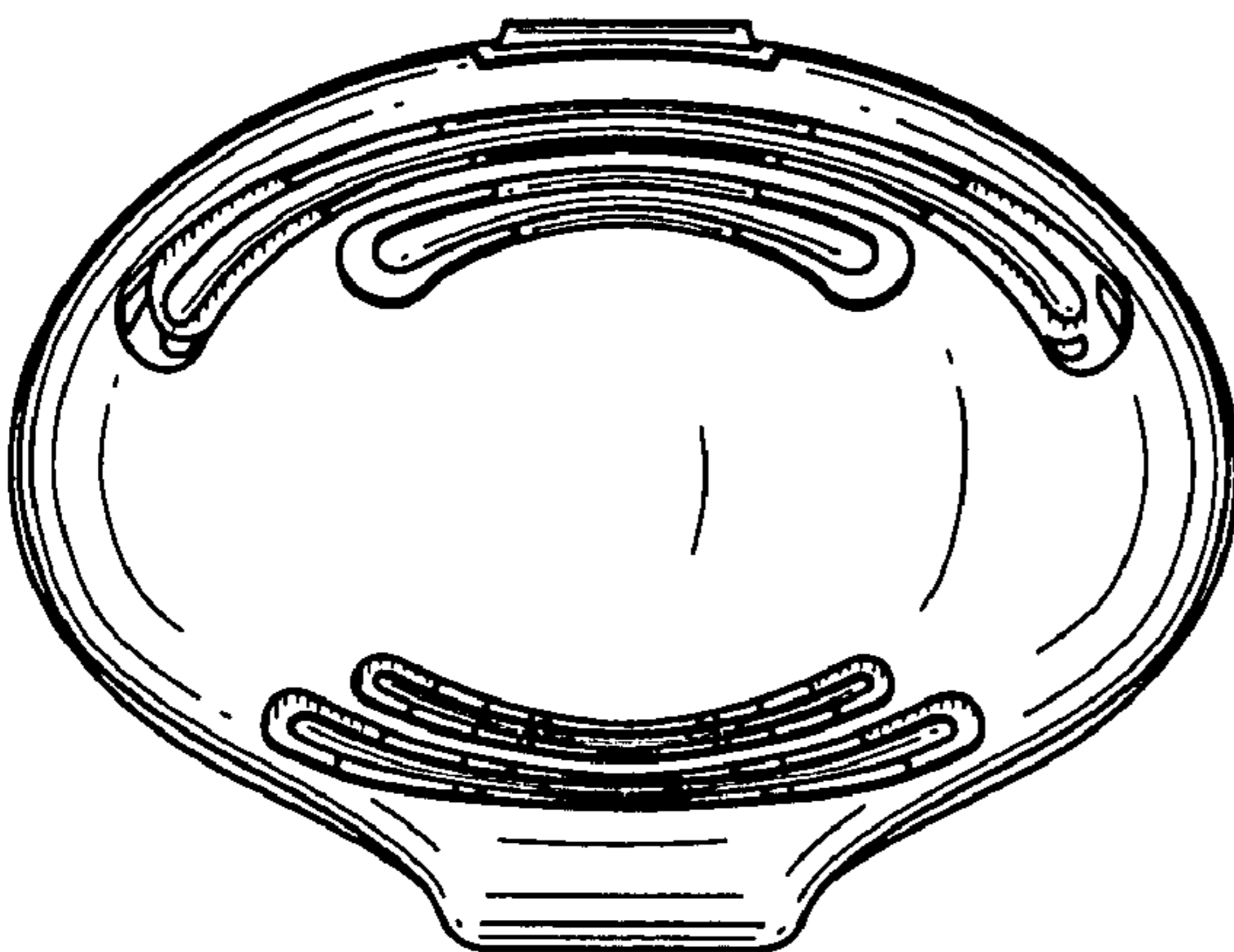


FIG. 5

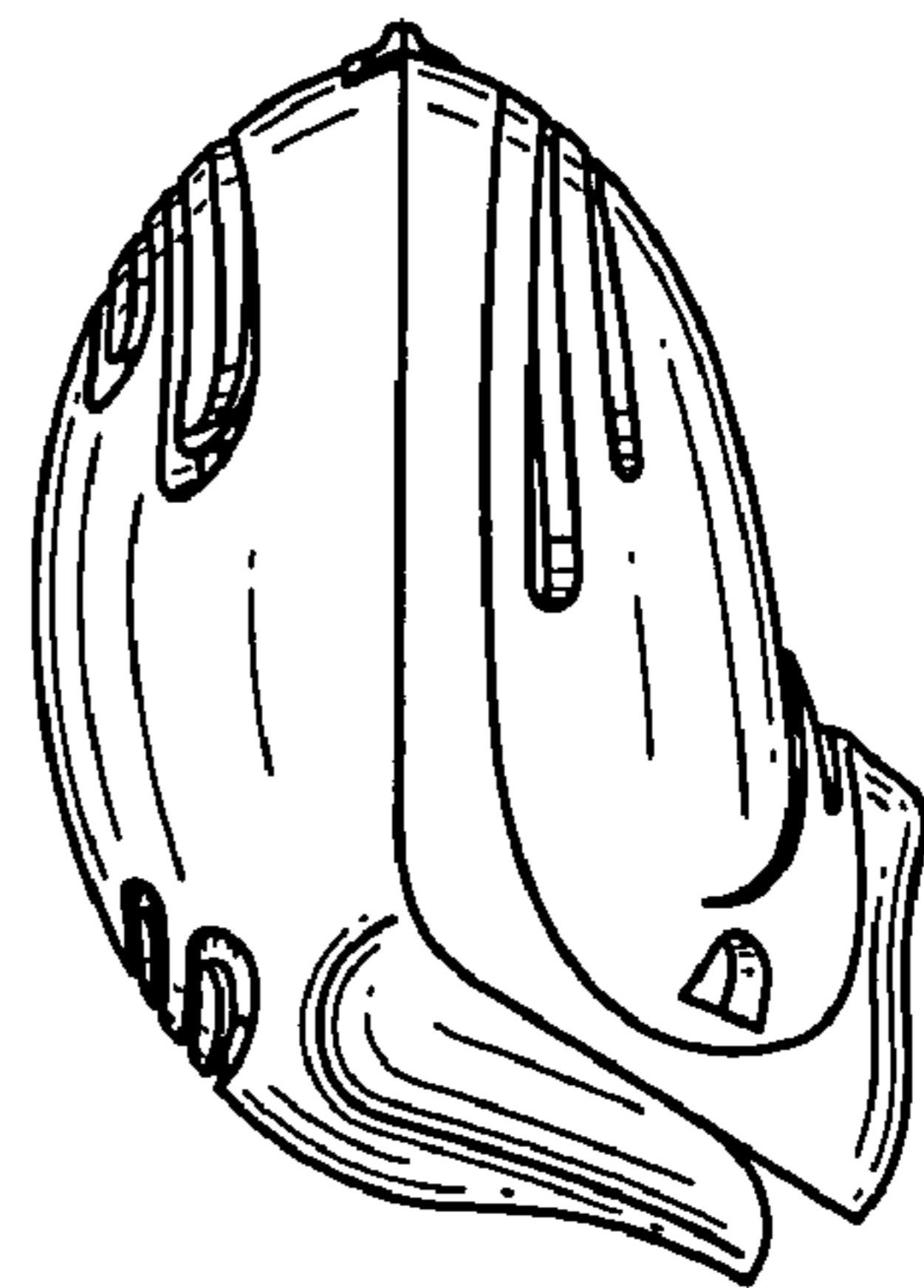


FIG. 6

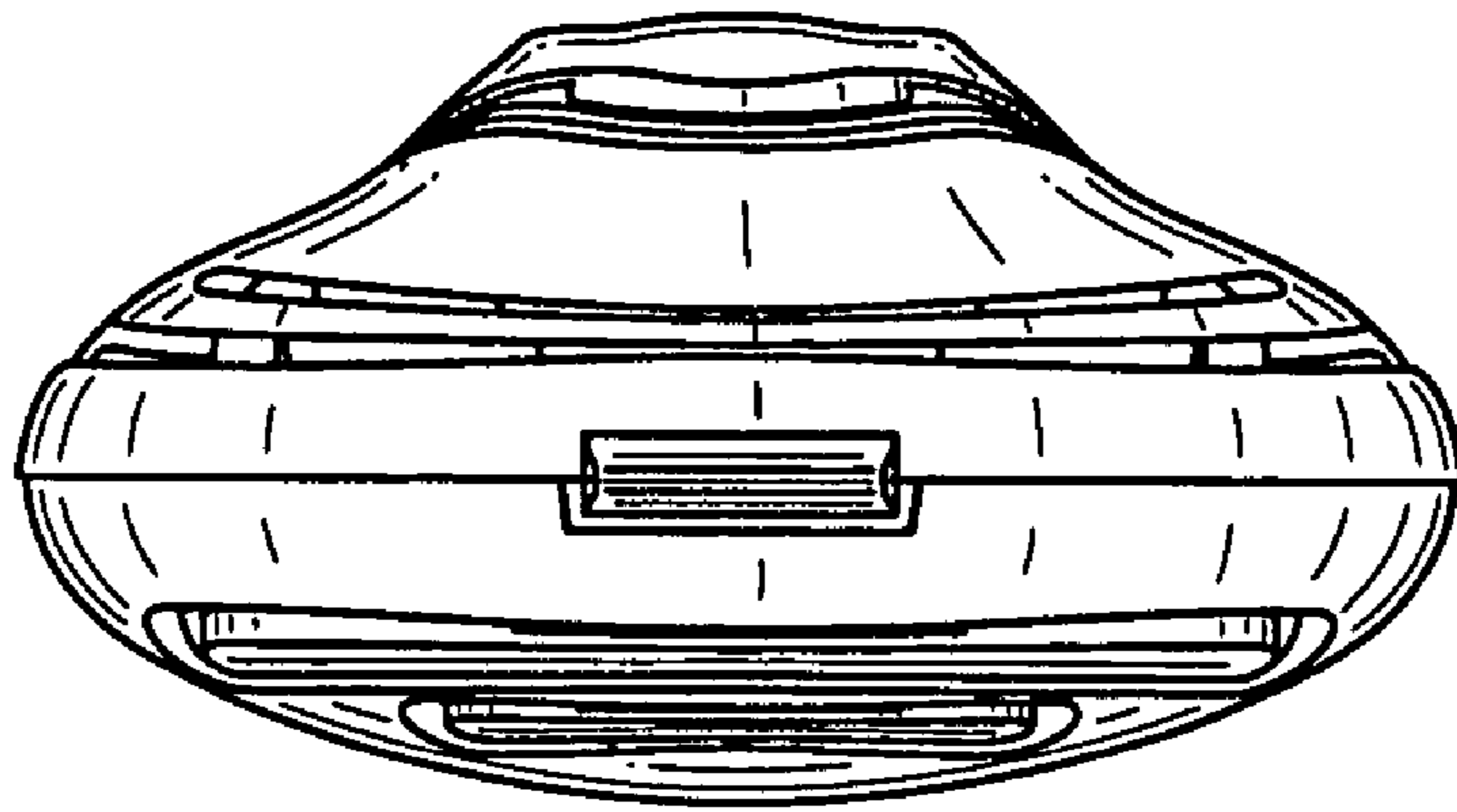


FIG. 7

