

US00D565282S

(12) **United States Design Patent**
Melton

(10) **Patent No.:** **US D565,282 S**

(45) **Date of Patent:** **** Apr. 1, 2008**

(54) **VISOR**

(76) **Inventor:** **Carla S. Melton**, 457 Main St.,
Longmont, CO (US) 80501

(**) **Term:** **14 Years**

(21) **Appl. No.:** **29/297,331**

(22) **Filed:** **Nov. 8, 2007**

5,826,277 A	10/1998	McConville
D404,541 S	1/1999	Danza
5,933,871 A	8/1999	Kraft
6,029,278 A	2/2000	Lopez
6,167,569 B1	1/2001	Conner, IV
6,230,332 B1	5/2001	Gonzales
D455,247 S	4/2002	DeChambeau
D456,118 S	4/2002	Hill

(Continued)

Related U.S. Application Data

(62) Division of application No. 29/280,525, filed on May 30, 2007, now Pat. No. Des. 559,503.

(51) **LOC (8) Cl.** **02-03**

(52) **U.S. Cl.** **D2/876**

(58) **Field of Classification Search** D2/865,
D2/866, 867, 869, 871, 872, 873, 874, 875,
D2/876, 877, 879, 881, 882, 884, 885, 886,
D2/887, 891, 892, 893, 894, 895; 2/10, 171,
2/171.1, 171.04, 171.4, 171.6, 171.8, 174,
2/175.1, 175.2, 175.3, 175.9, 181.4, 183,
2/184, 195.1, 195.2, 200.3, 209, 209.11, 209.12,
2/209.13, 209.3, 209.5, 410, 12, 172, 181,
2/204, 207

See application file for complete search history.

(56) **References Cited**

U.S. PATENT DOCUMENTS

D48,505 S	2/1916	Schoble
1,535,841 A	4/1925	Lupien
D264,391 S	5/1982	Schweitzer
D267,752 S	2/1983	Fairbrother
D333,375 S	2/1993	Ouellette
5,307,094 A	4/1994	Gonzalez
D347,104 S	5/1994	Vossler
5,452,479 A	9/1995	Mostert
5,479,325 A	12/1995	Chien
5,581,813 A	12/1996	Henschel
D384,488 S	10/1997	Kaufman
D384,489 S	10/1997	Ethier
D384,793 S	10/1997	Brown
D396,738 S	8/1998	Territo

OTHER PUBLICATIONS

U.S. Appl. No. 29/276,801, filed Feb. 6, 2007, Inventor Carla S. Melton, Conf. #9580.

(Continued)

Primary Examiner—Elizabeth A. Albert
Assistant Examiner—Karen E Eldridge Powers
(74) *Attorney, Agent, or Firm*—Rick Martin; Patent Law
Offices of Rick Martin, P.C.

(57) **CLAIM**

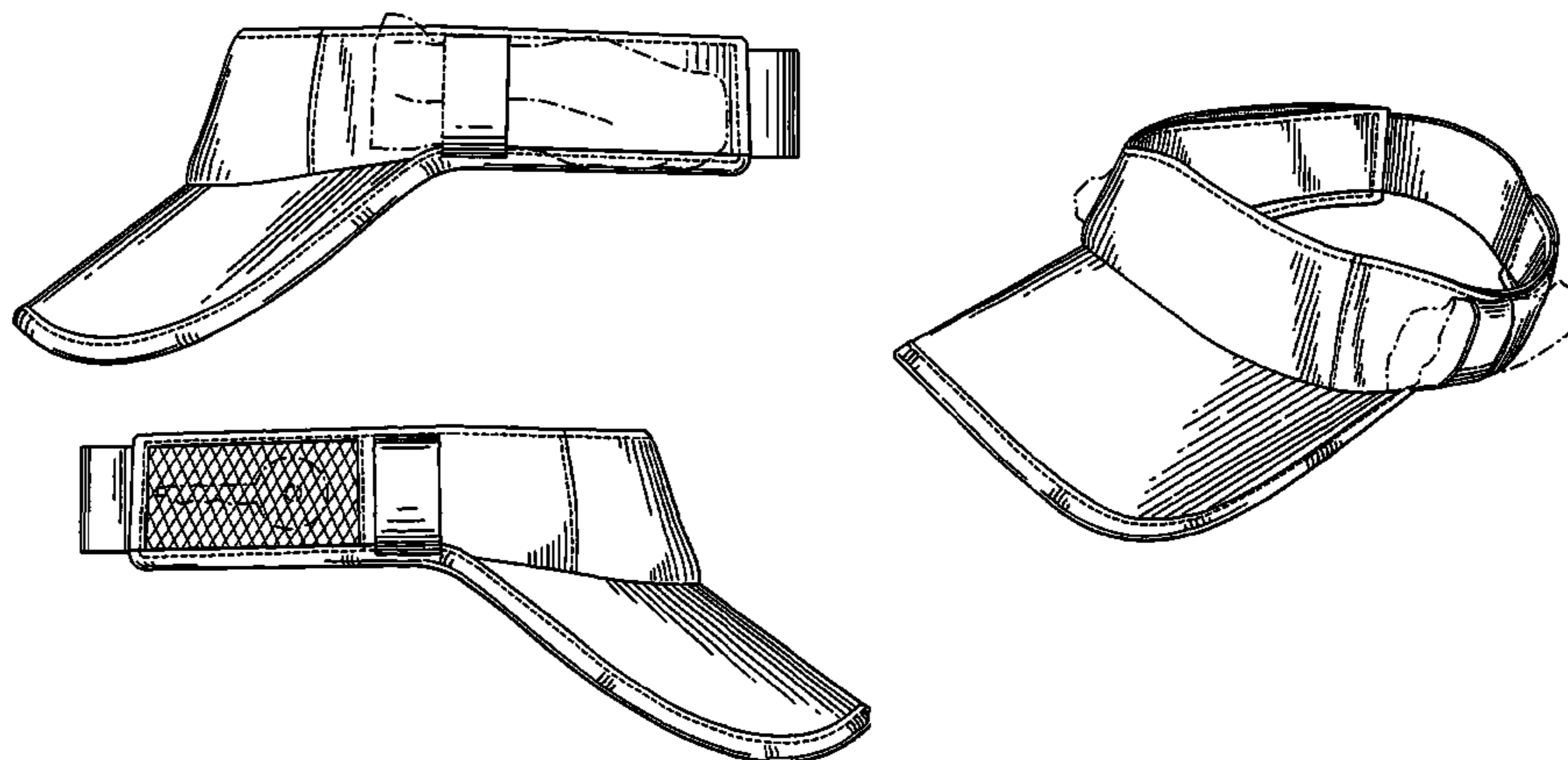
The ornamental design for a visor, as shown and described.

DESCRIPTION

FIG. 1 is a top plan view of my new design for a visor;
FIG. 2 is a bottom plan view thereof;
FIG. 3 is a front elevation view thereof;
FIG. 4 is a rear elevation view thereof;
FIG. 5 is a right side elevation view thereof;
FIG. 6 is a left side elevation view thereof; and,
FIG. 7 is a perspective view thereof.

The long and short broken lines indicating the outline of food packages and a key, illustrate environmental matter and form no part of the claimed design. The evenly-segmented broken lines in all figures represent stitching and are a part of the claimed design.

1 Claim, 3 Drawing Sheets



US D565,282 S

Page 2

U.S. PATENT DOCUMENTS

D459,059 S 6/2002 Park
6,408,443 B1 6/2002 Park
D459,861 S 7/2002 Park
6,546,559 B1 4/2003 Bronson
D474,328 S 5/2003 Park
D482,185 S 11/2003 Park
D494,341 S 8/2004 Park
6,810,533 B1 11/2004 Nahabedian et al.
D503,261 S 3/2005 Pedersen
D514,282 S 2/2006 Broome
7,003,809 B1 2/2006 Gordon
7,047,571 B1 5/2006 Kelly

D523,612 S 6/2006 Steger
D527,870 S 9/2006 Kim
7,165,273 B1 1/2007 Redmond
D545,030 S 6/2007 Fukunaga
2002/0095715 A1 7/2002 Hong
2002/0108165 A1 8/2002 Porter et al.
2003/0221234 A1 12/2003 Wang
2006/0143786 A1 7/2006 Kim
2007/0044203 A1 3/2007 Hall

OTHER PUBLICATIONS

U.S. Appl. No. 29/280,525, filed May 30, 2007, Inventor Carla S. Melton. Conf. #9450.

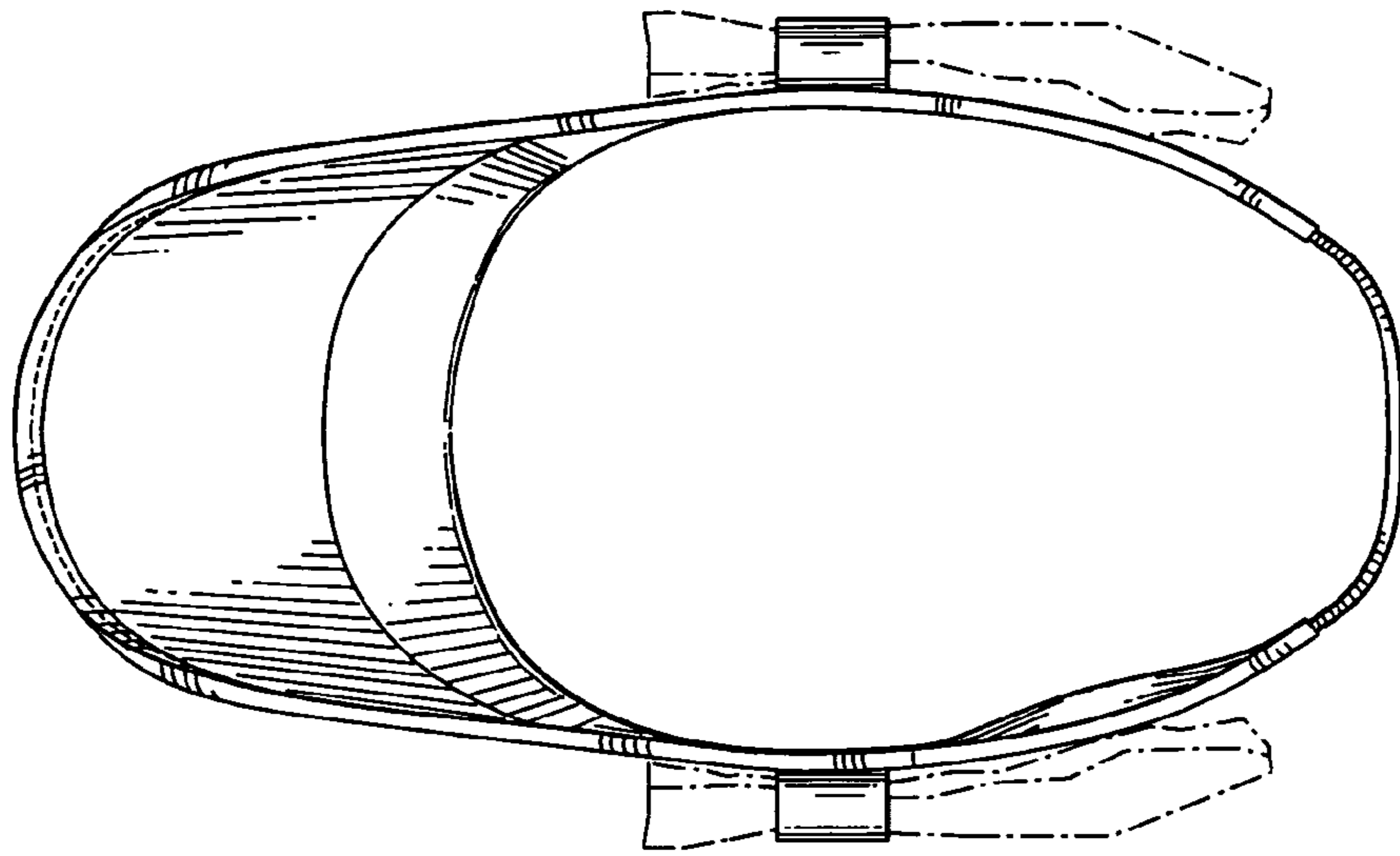


FIG. 2

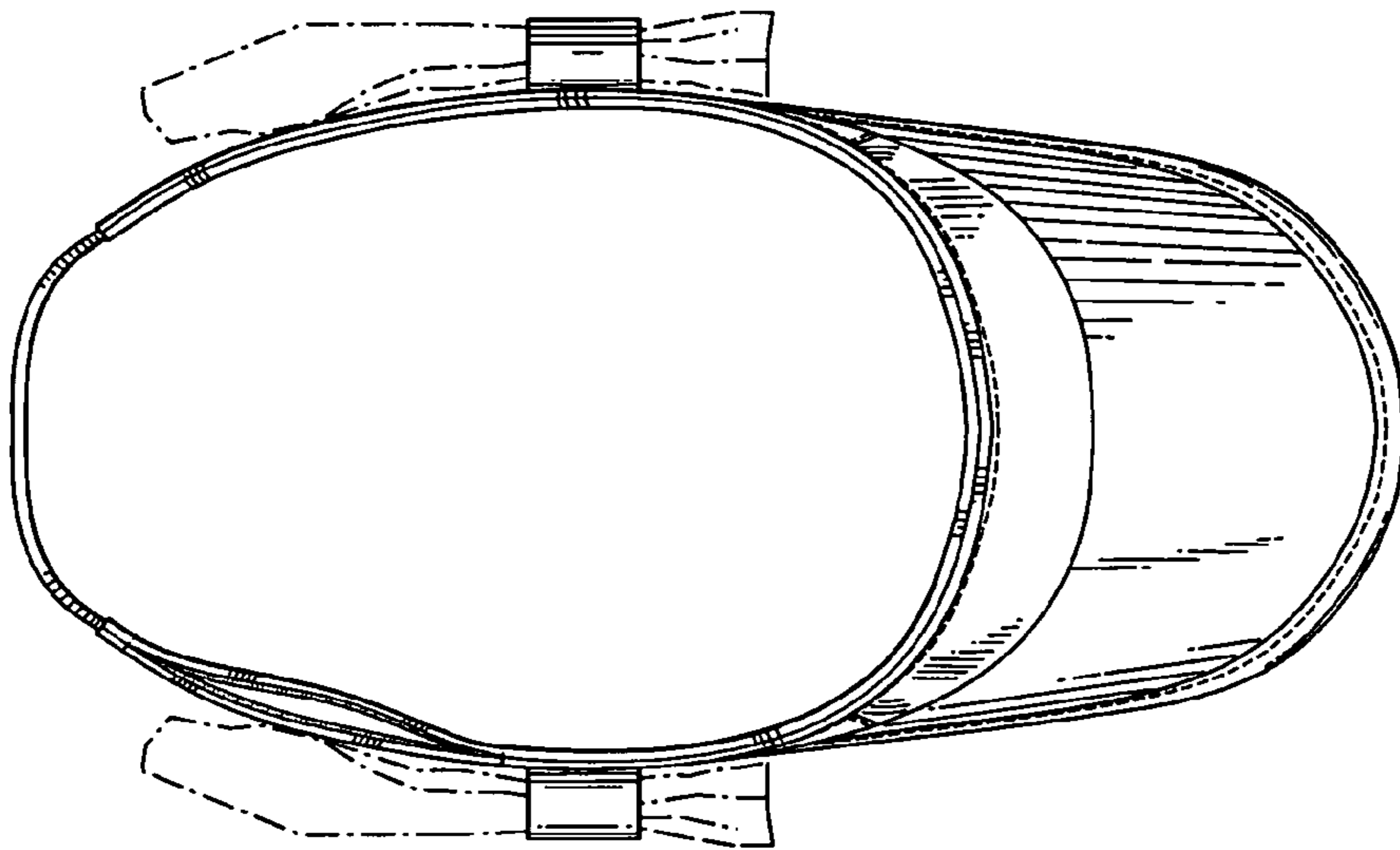


FIG. 1

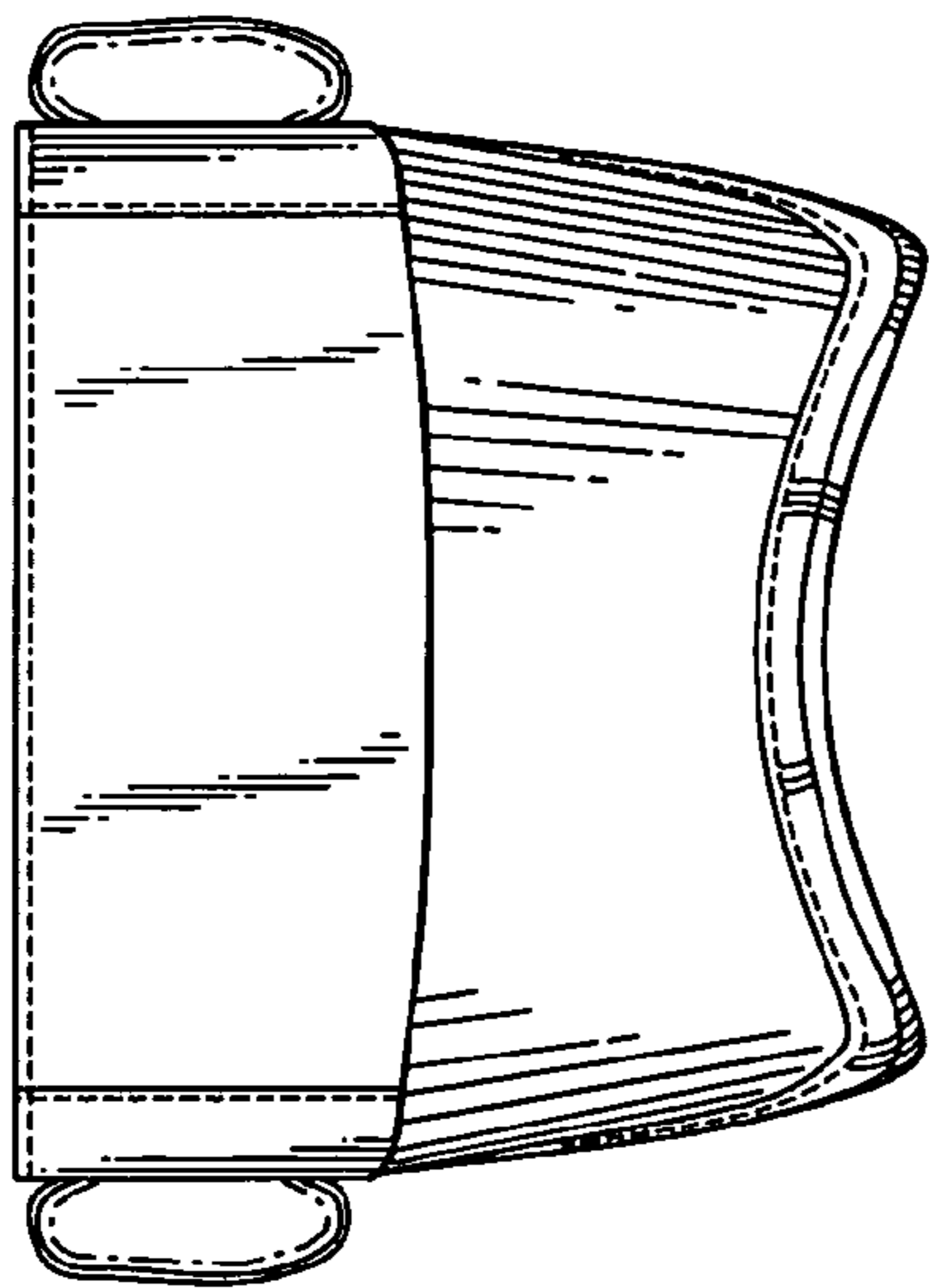


FIG. 3

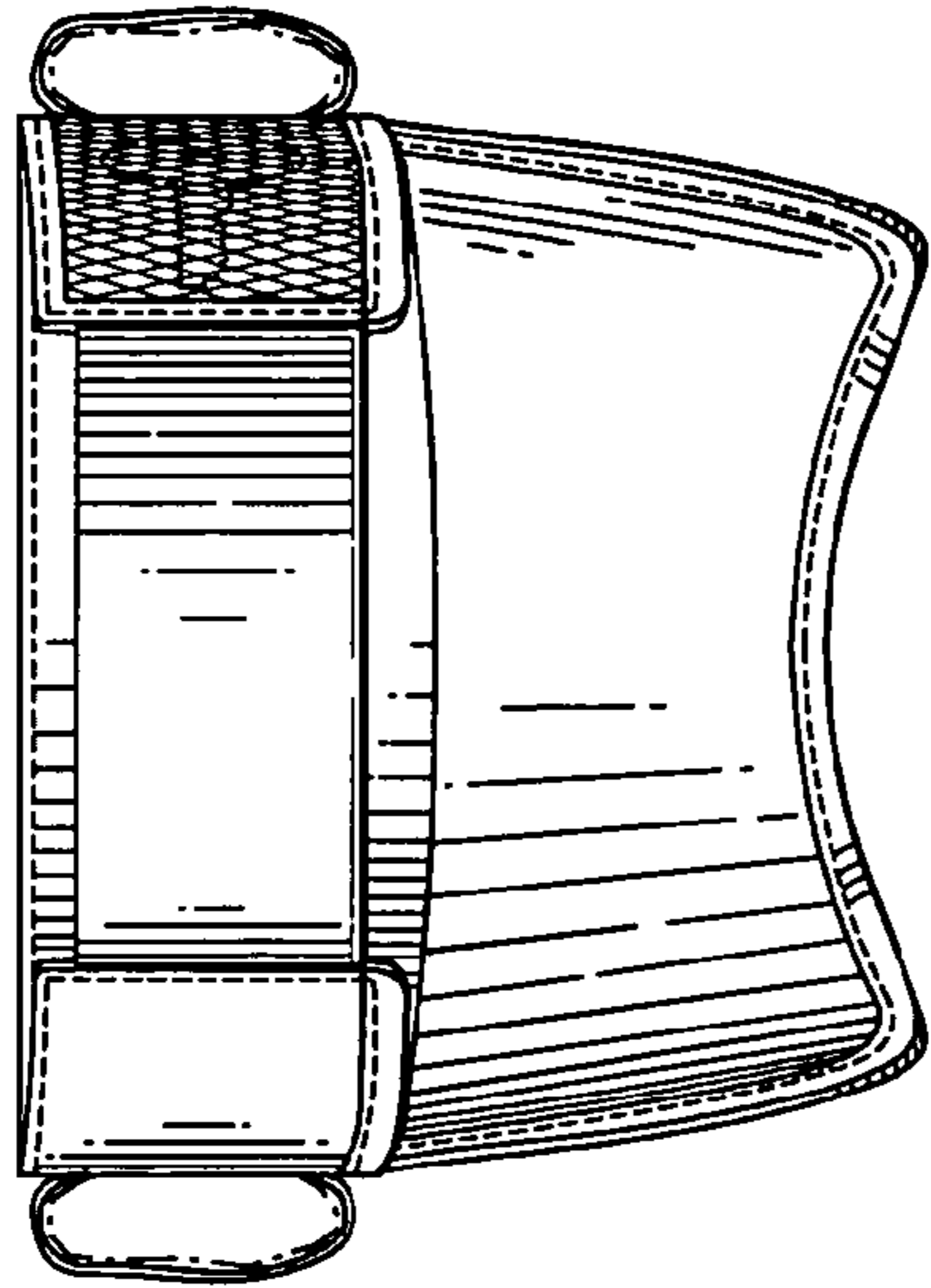


FIG. 4

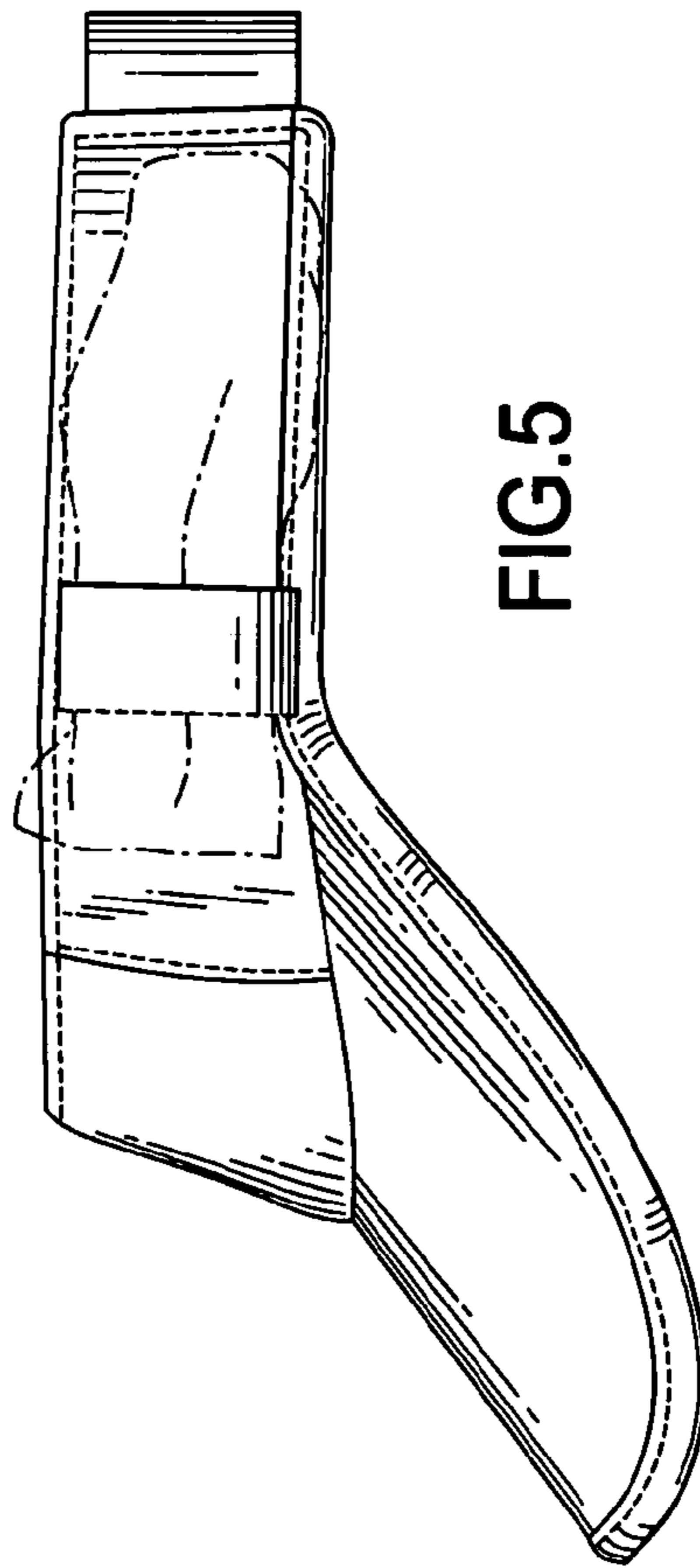


FIG. 5

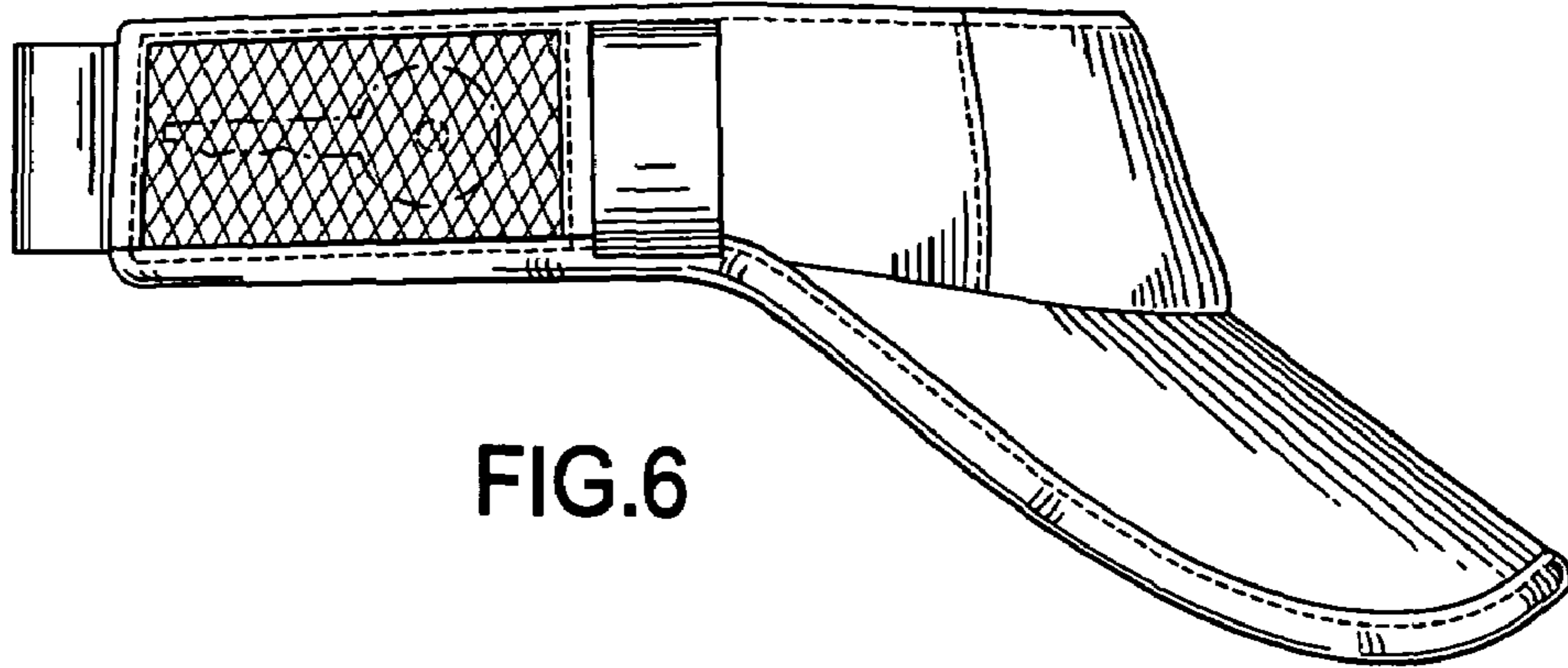


FIG. 6

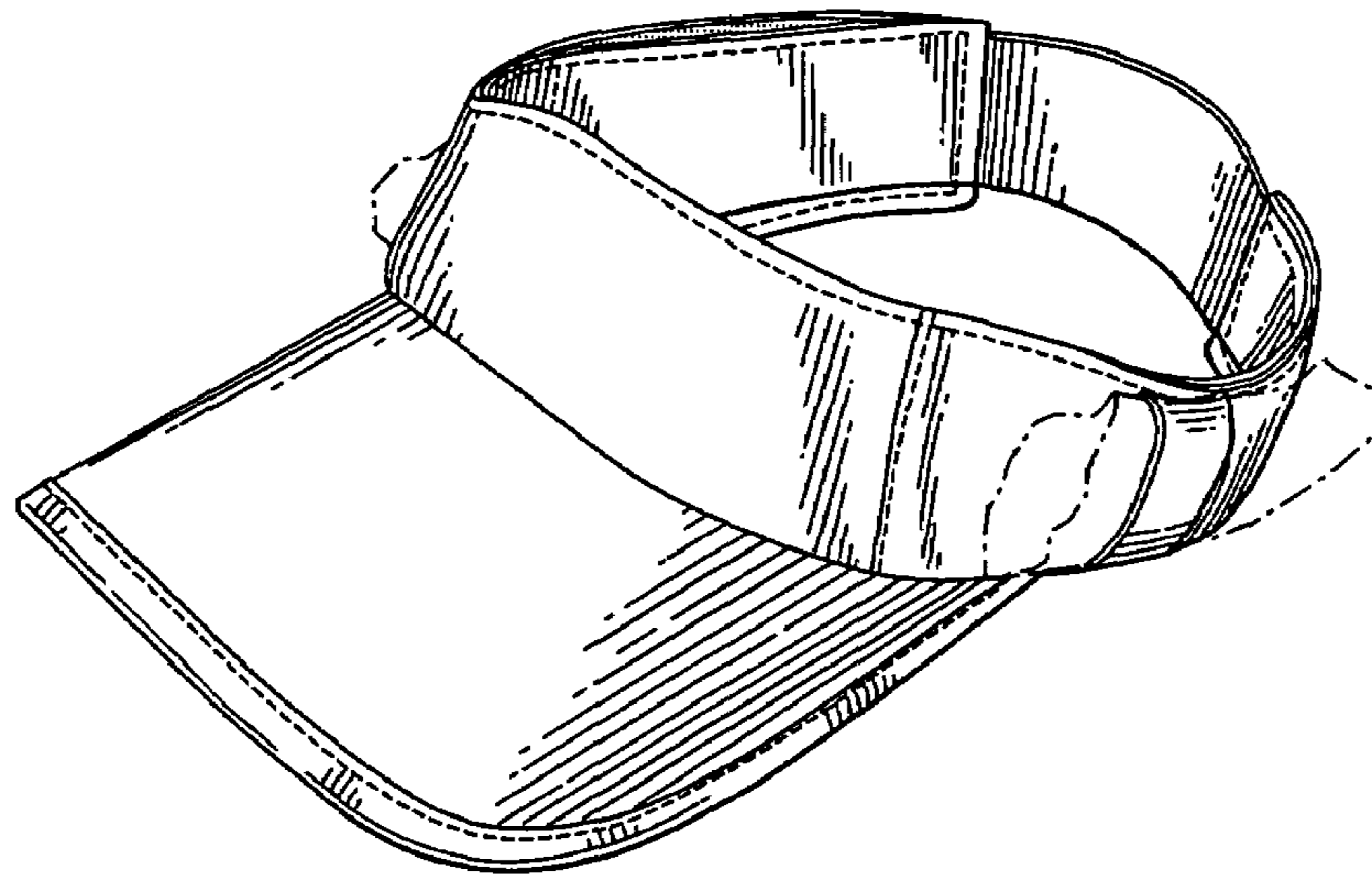


FIG. 7