

US00D565271S

(12) **United States Design Patent**
Falbaum

(10) **Patent No.:** **US D565,271 S**
(45) **Date of Patent:** **** Mar. 25, 2008**

(54) **ON LINE TIRE DRESSING APPLICATION PAD**

7,124,465 B1 * 10/2006 Kaminstein 15/244.3
D546,974 S * 7/2007 Aughton et al. D25/119
D547,885 S * 7/2007 Aughton et al. D25/119

(75) Inventor: **David Falbaum**, Minneapolis, MN (US)

* cited by examiner

(73) Assignee: **Ecolab Inc.**, St. Paul, MN (US)

Primary Examiner—Cynthia E Ramirez

(**) Term: **14 Years**

(74) *Attorney, Agent, or Firm*—Andrew D. Sorensen; Anneliese S. Mayer

(21) Appl. No.: **29/266,736**

(57) **CLAIM**

(22) Filed: **Sep. 27, 2006**

The ornamental design for an on line tire dressing application pad, as shown.

(51) **LOC (8) Cl.** **12-05**

(52) **U.S. Cl.** **D34/35; D34/29; D32/40**

(58) **Field of Classification Search** D34/29; D32/40; D25/119; 118/264; 198/429, 430, 198/727, 728, 731, 734, 841, 750
See application file for complete search history.

DESCRIPTION

FIG. 1 is a perspective view of an embodiment of an on line tire dressing application pad;

FIG. 2 is a left side view of the on line tire dressing application pad shown in FIG. 1;

FIG. 3 is a right side view of the on line tire dressing application pad shown in FIG. 1;

FIG. 4 is a front elevational view of the on line tire dressing application pad shown in FIG. 1;

FIG. 5 is a rear elevational view of the on line tire dressing application pad shown in FIG. 1;

FIG. 6 is a top plan view of the on line tire dressing application pad shown in FIG. 1; and,

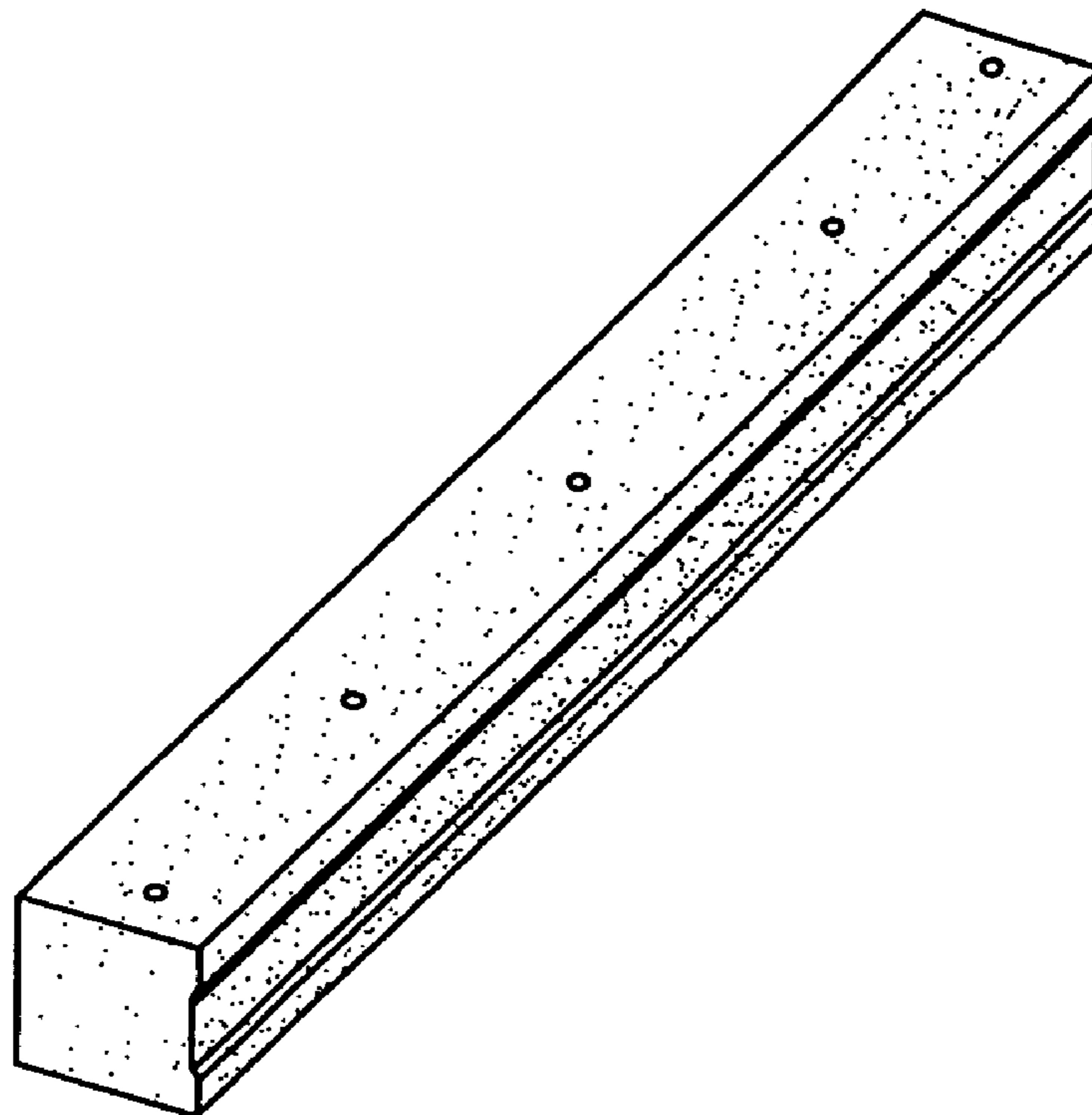
FIG. 7 is a bottom plan view of the on line tire dressing application pad shown in FIG. 1.

(56) **References Cited**

U.S. PATENT DOCUMENTS

3,789,766	A *	2/1974	Hurwitz	104/172.3
D258,500	S *	3/1981	Kloefkorn et al.	D34/29
D336,712	S *	6/1993	Ledingham	D34/29
D381,176	S *	7/1997	Patois et al.	D34/29
D381,177	S *	7/1997	Patois et al.	D34/29
D398,126	S *	9/1998	Hagan	D34/29
D402,781	S *	12/1998	Helmetsie et al.	D34/29
5,987,694	A *	11/1999	Large	15/244.1
6,461,429	B1	10/2002	Gorra		
6,461,685	B2	10/2002	Gorra		
6,936,104	B2	8/2005	Gorra		

1 Claim, 2 Drawing Sheets



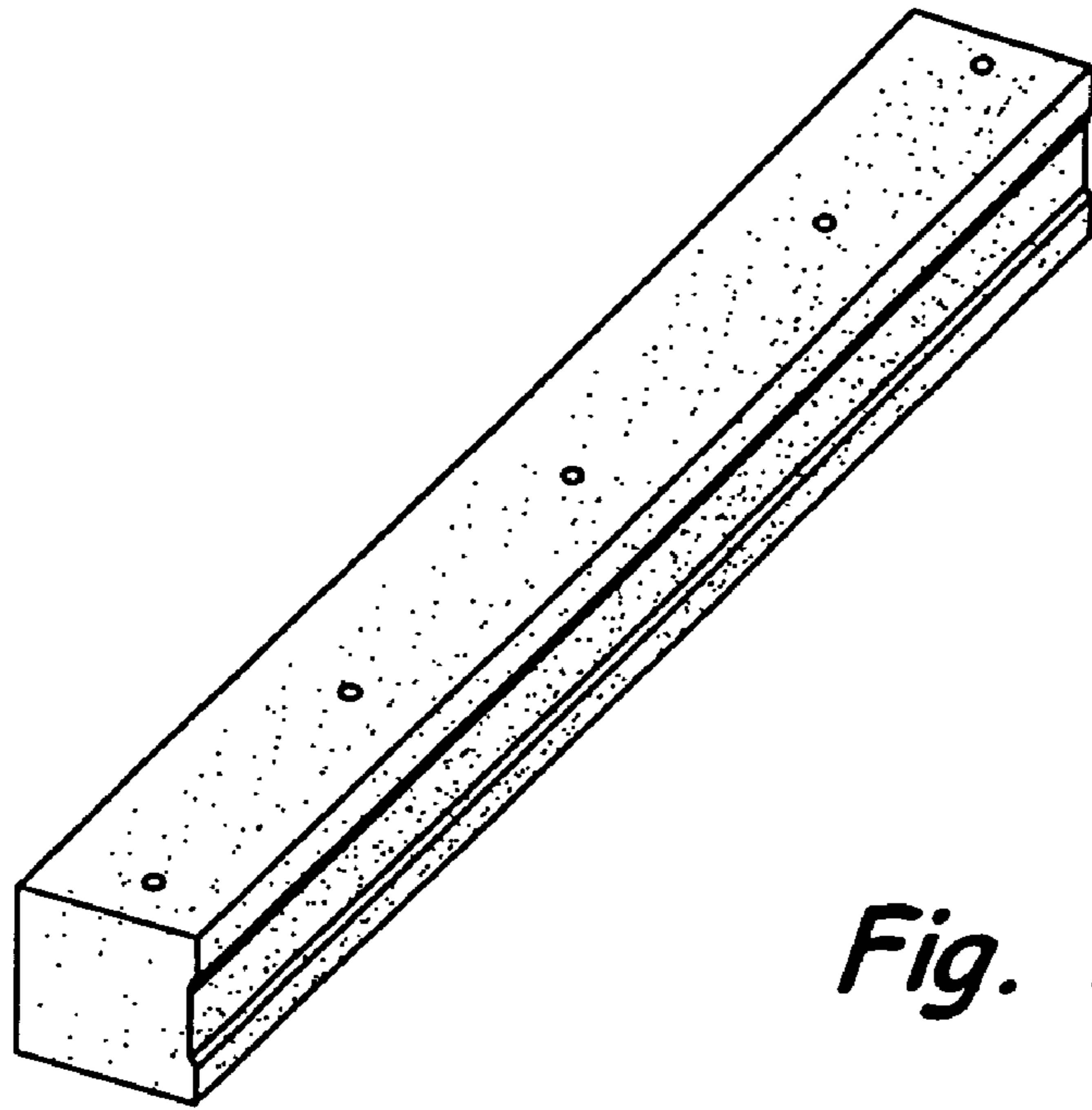


Fig. 1

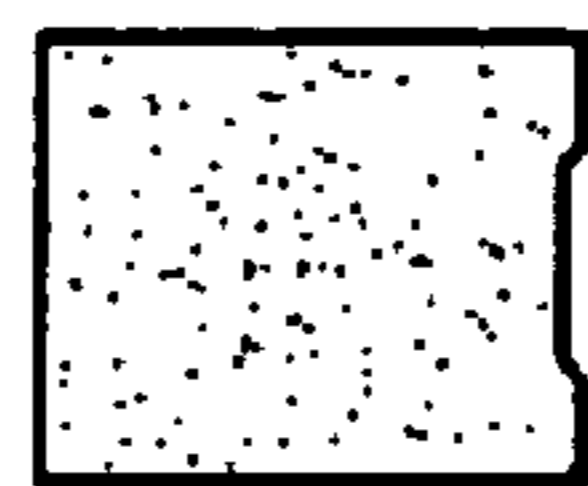


Fig. 2



Fig. 3

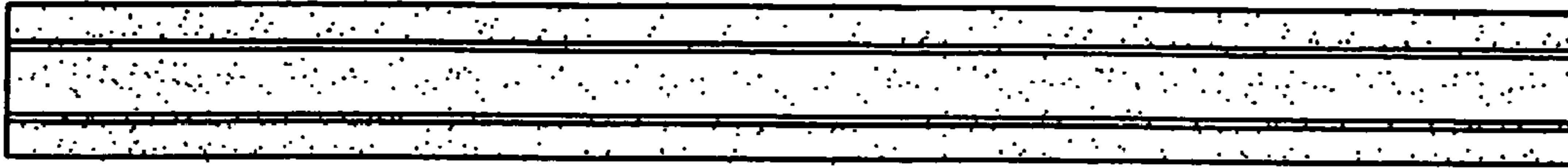


Fig. 4

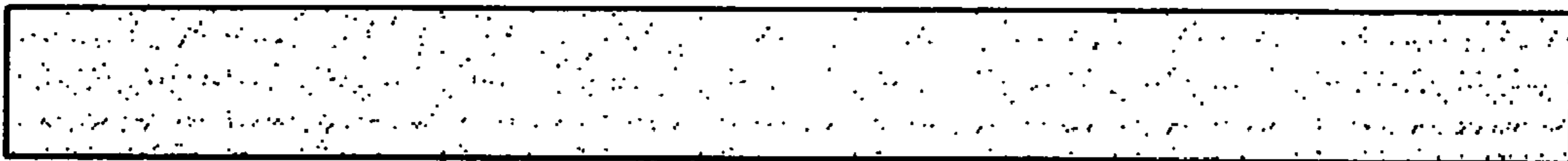


Fig. 5

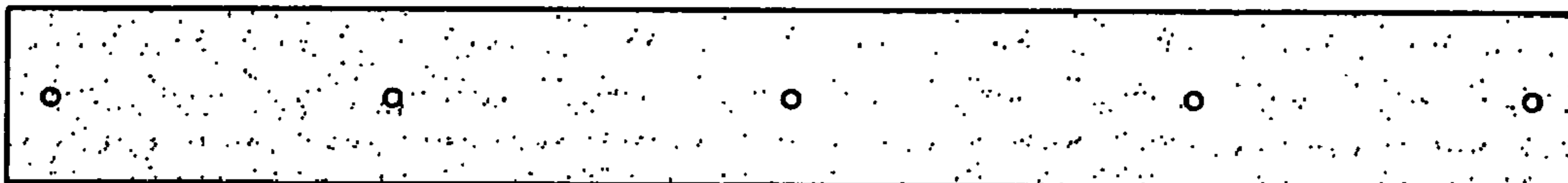


Fig. 6



Fig. 7